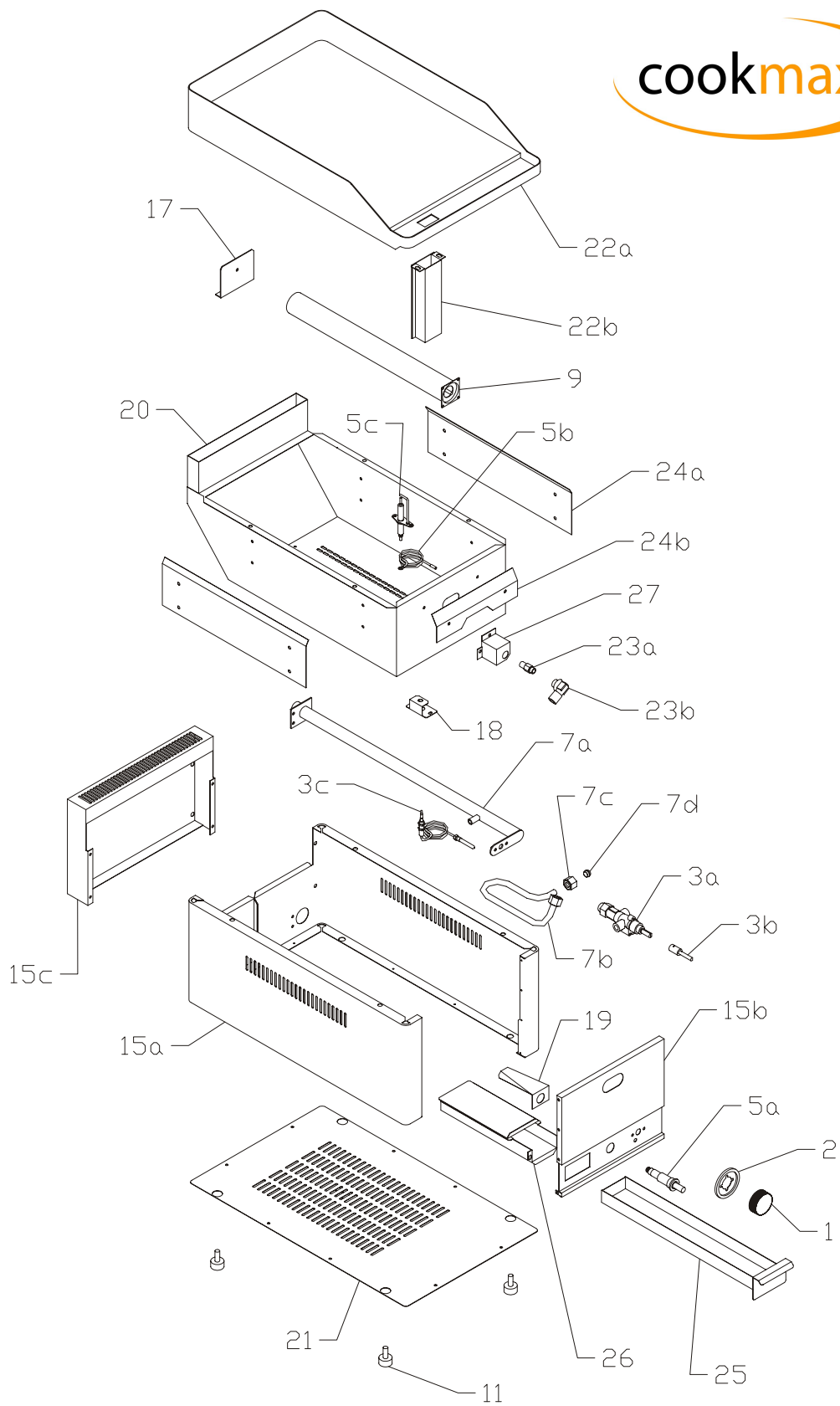


FTH 30G, FTH 60G





FTH 30G

	CODE		CODE		CODE		CODE
1	402593100	7b	501006510	15b	451001200	23b	404520200
2	402595000	7c	404520000	15c	501002300	24a	451008850
3a	404500100	7d	404525100	16	-----	24b	451008950
3b	408706200	8	-----	17	451006800	25	503000450
3c	404050200	9	404000100	18	451010100	26	501002200
4	-----	10	-----	19	451008750	27	451007600
5a	401540000	11	407810500	20	501001250		
5b	402008000	12	-----	21	451001780		
5c	404530200	13	-----	22a	501003701		
6	-----	14	-----	22b	501002100		
7a	501003300	15a	501000300	23a	404547...		

FTH 60G

	CODE		CODE		CODE		CODE
1	402593100	7b	501006560	15b	451016200	23b	404520200
2	402595000	7c	404520000	15c	501002400	24a	451008850
3a	404500100	7d	404525100	16	-----	24b	451008950
3b	408706200	8	-----	17	451006800	25	503000450
3c	404050200	9	404000100	18	451010100	26	501002200
4	-----	10	-----	19	451008750	27	451007600
5a	401540000	11	407810500	20	501001250		
5b	402008000	12	-----	21	451017750		
5c	404530200	13	-----	22a	501004201		
6	-----	14	-----	22b	501002100		
7a	501006300	15a	501000700	23a	404547...		

NOZZLES

	CODE	SIZE
1	404547077	0,77 mm
2	404547087	0,93 mm
3	404547135	1,35 mm