

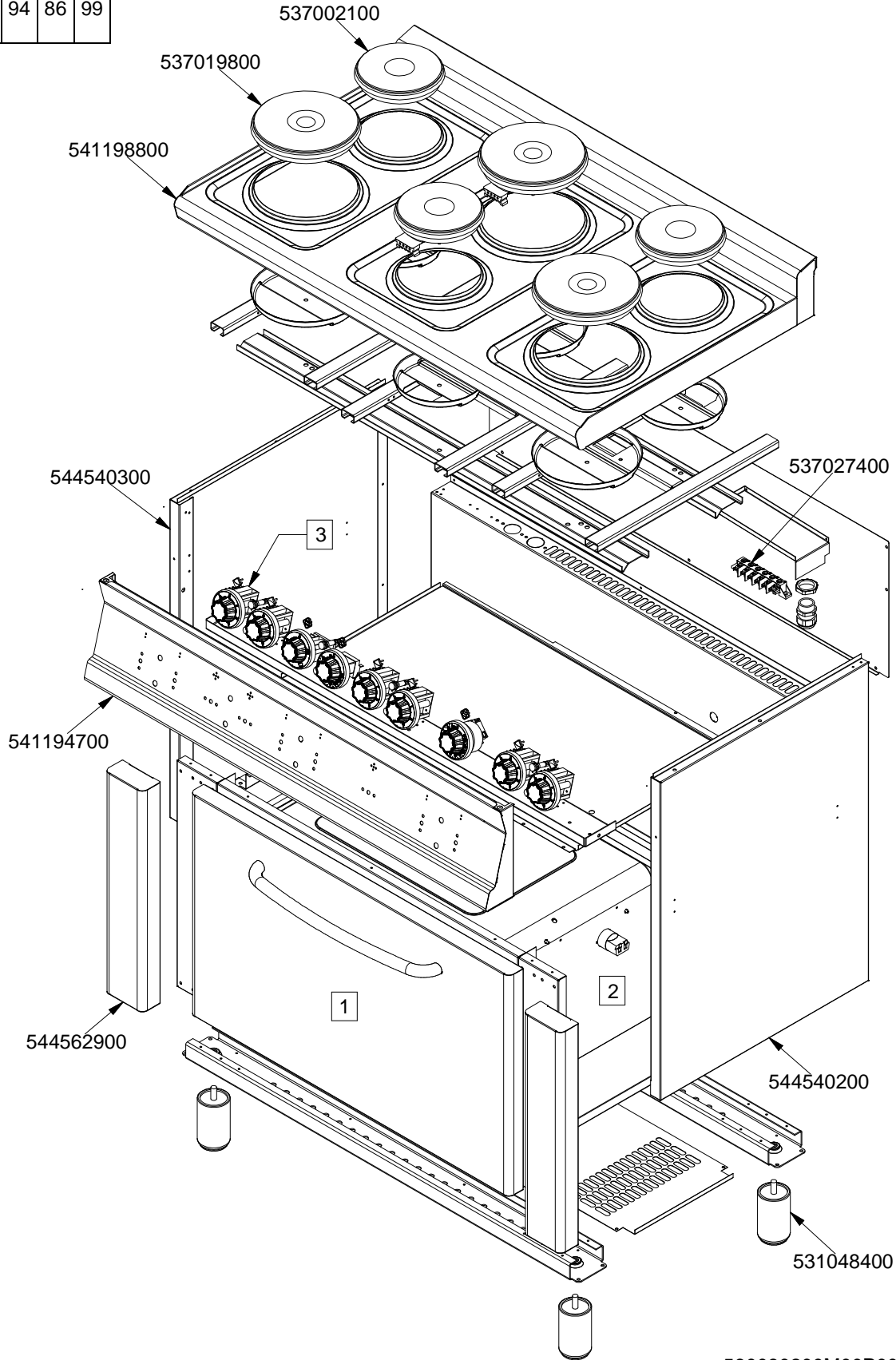
MAGICLOTUS 60

CUCINE / RANGES / HERDE / CUISINIÈRES

CF...6-610

CF6-610ET

| | | | |
|---|----|----|----|
| | 1 | 2 | 3 |
| Vedi Pagina See Page Siehe Seite Voir Page Ver Pàgina | 94 | 86 | 99 |



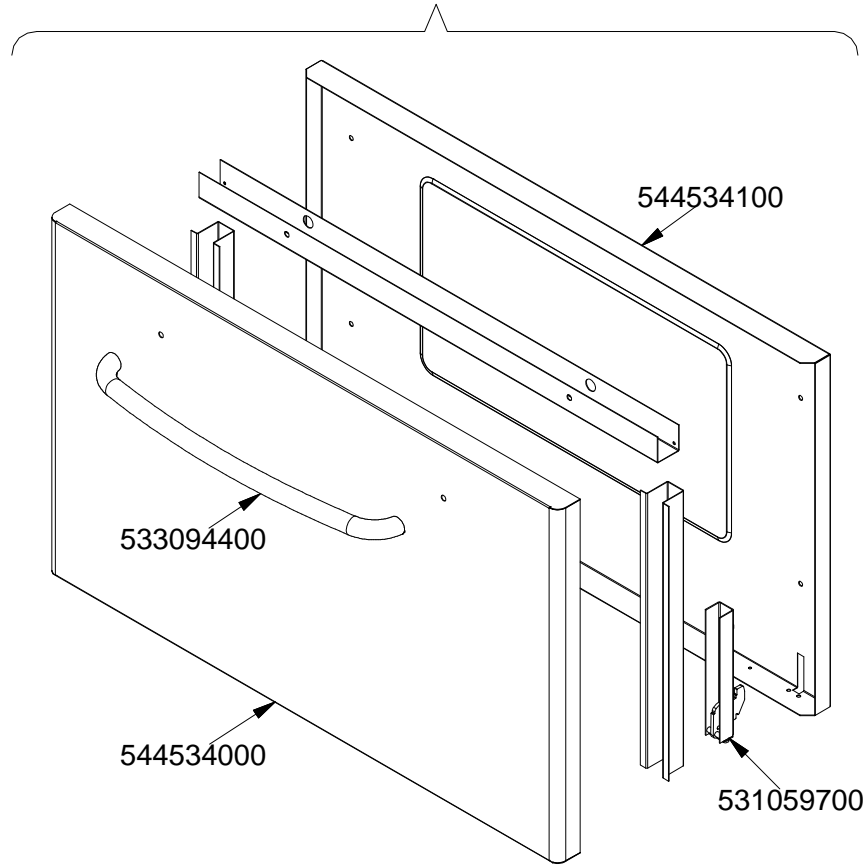
560080200M00P00

MAGICLOTUS 60

CUCINE / RANGES / HERDE / CUISINIÈRES
FORNO / OVEN / BACKOFEN / FOUR / CF...-68 CF...-610 CF...-612

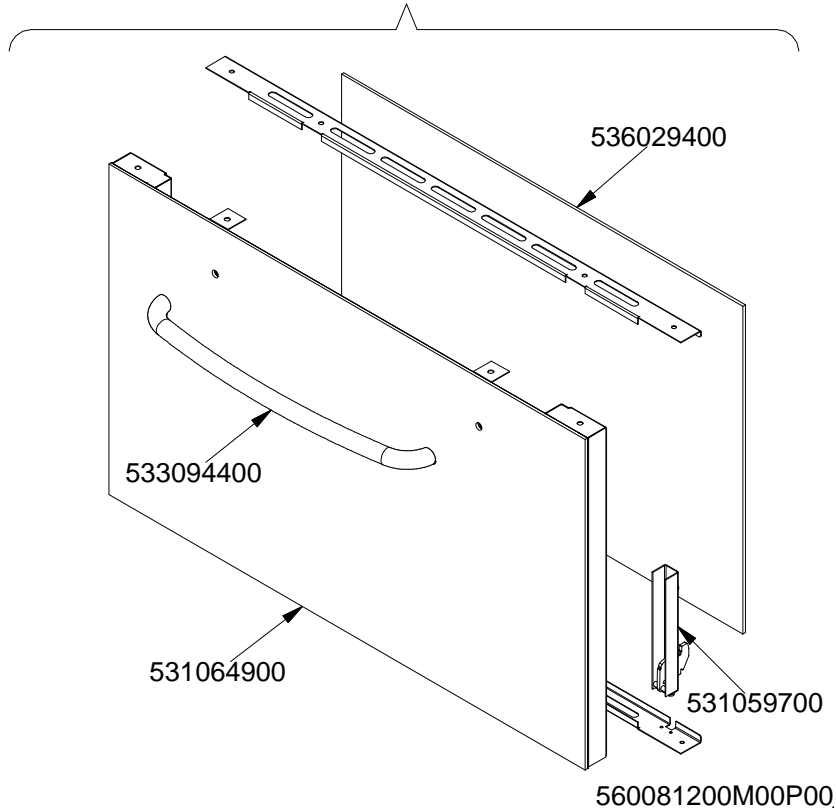
PORTE / DOORS / TÜREN / PORTES / GN1/1

531059200



560081100M00P00.

531059300

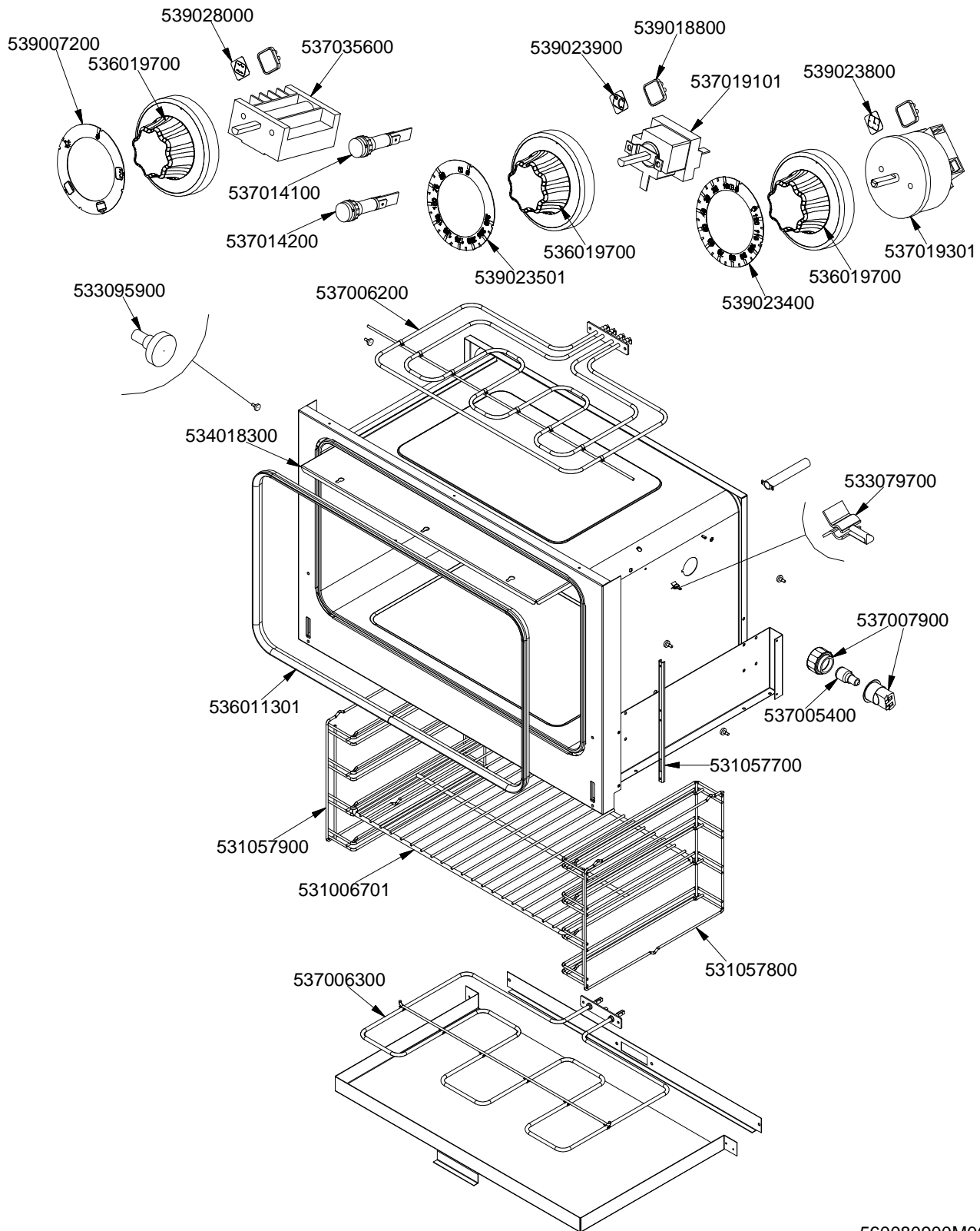


560081200M00P00.

MAGICLOTUS 60

CUCINE / RANGES / HERDE / CUISINIÈRES
FORNO / OVEN / BACKOFEN / FOUR / CF...-68 CF...-610 CF...-612

ELETTRICO STATICO / TRADITIONAL ELECTRIC / STATISCHER ELEKTRO /
ELECTRIQUE STATIQUE / GN1/1



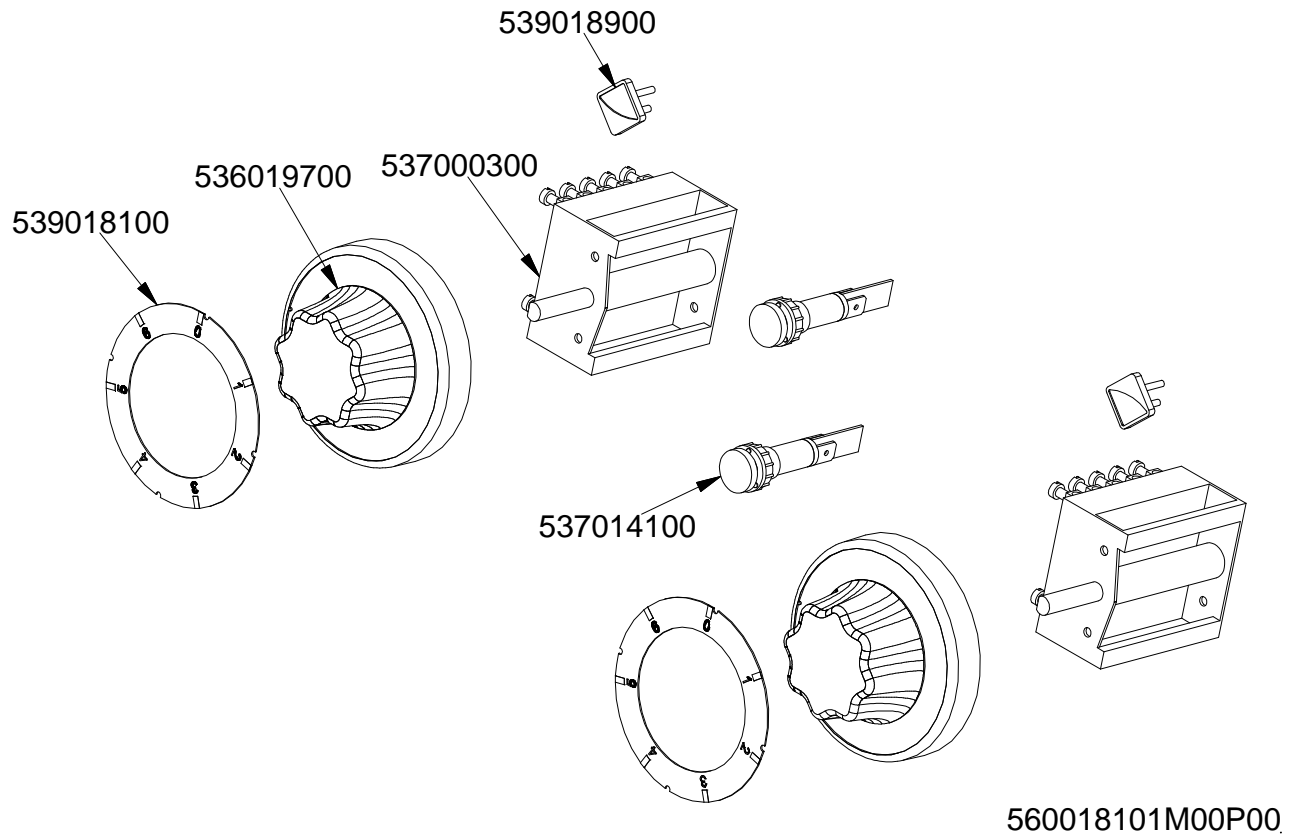
560080900M00P00.

MAGICLOTUS 60

CUCINE / RANGES / HERDE / CUISINIÈRES

COMPONENTI COMUNI / STANDARDS PARTS / UEBLICHE TEILE / COMPOSANTS COMMUNS

PCT-E CF-E



| Page | Pos | Code | Description |
|------|-----|-----------|-------------------------------------|
| 001 | | 537002100 | ELECTRICAL PLATE D.145 W1000 V230 |
| 001 | | 537019800 | ELECTRICAL PLATE D.180 W2000 V230 |
| 001 | | 537027400 | TERMINAL BLOCK THREEPHASE 40A |
| 001 | | 541198800 | CONTROL PANEL 60T CF4-610 ET |
| 001 | | 541194700 | CONTROL PANEL 607090 CF4-610 E |
| 001 | | 544540300 | |
| 001 | | 544562900 | SIDE PANEL OF OVEN DOOR CF 610 |
| 001 | | 544540200 | |
| 001 | | 531048400 | INOX LEG Ø1"3/4 100-165 M10 |
| 002 | | 531059200 | OVEN DOOR * S60T 68 INOX C. |
| 002 | | 544534100 | INNER DOOR OF MAXI OVEN OF 60T-LINE |
| 002 | | 533094400 | S/S OVEN DOOR HANDLE FOR 60T-LINE |
| 002 | | 544534000 | S/S DOOR FOR MAXI OVEN OF 60T LINE |
| 002 | | 531059700 | DOOR HINGE FOR MAXI OVEN 60.LINE |
| 002 | | 531059300 | OVEN DOOR * S60T 68 GLASS C. |
| 002 | | 536029400 | |
| 002 | | 531064900 | |
| 003 | | 539028000 | SELECTOR SIGN PLATE FOR OVEN |
| 003 | | 539018800 | INDEX FOR OVEN KNOB |
| 003 | | 539007200 | ADHESIVE GRADUATE F.MAXI-EL.STAT.OV |
| 003 | | 536019700 | BLACK KNOB §70 PIN §6*5 |
| 003 | | 537019101 | THERMOSTAT MONOPHAS.050-320°C F.MF |
| 003 | | 539023900 | SIGN PLATE FOR OVEN TEMPERATURE |
| 003 | | 537014100 | WHITE WARNING LIGHT 250V |
| 003 | | 537014200 | GREEN WARNING LIGHT 250V |
| 003 | | 537005400 | OVEN BULB 15W 300°C |
| 003 | | 533095900 | PIN FOR GRIDSHOLDER SUPPORT CF 60 |
| 003 | | 539023400 | ADHESIVE GRADUATED DISC F.KNOB |
| 003 | | 531057800 | RHD GRIDS HOLDER FOR MAXI-OVEN |
| 003 | | 534018300 | KNOB PROTECTION FOR MAXI CF 60T |
| 003 | | 533079700 | LOCK SPRING FOR BULB §3/§4 |
| 003 | | 537035600 | OVEN COMMUTATOR * EL. 60+65LINES |
| 003 | | 537007900 | OVEN BULB-SOCKET |
| 003 | | 536011301 | OVEN GASKET CF-8/10 *FE* |
| 003 | | 531057700 | DOOR WHEEL HOLDER F.MAXI OVEN 60T |
| 003 | | 539023800 | SIGN PLATE FOR OVEN TIMER |
| 003 | | 531057900 | LHD GRIDS HOLDER FOR MAXI-OVEN |
| 003 | | 531006701 | MAXI OVEN GRID FOR S60/65 |
| 003 | | 537019301 | |
| 003 | | 537006300 | LOWER OVEN HEATING EL.W1750 230CF8/ |
| 003 | | 539023501 | ADHESIVE GRAD.DISC *E.MULTIF.TERM. |
| 003 | | 537006200 | UPPER OVEN HEATING EL.1000+2000W |
| 004 | | 539018900 | INDEX FOR KNOB |
| 004 | | 536019700 | BLACK KNOB §70 PIN §6*5 |
| 004 | | 539018100 | ADHESIVE GRADUATED DISC FOR KNOB |
| 004 | | 537000300 | COMMUTATOR 7 POSITIONS S.49 16A |
| 004 | | 537014100 | WHITE WARNING LIGHT 250V |