

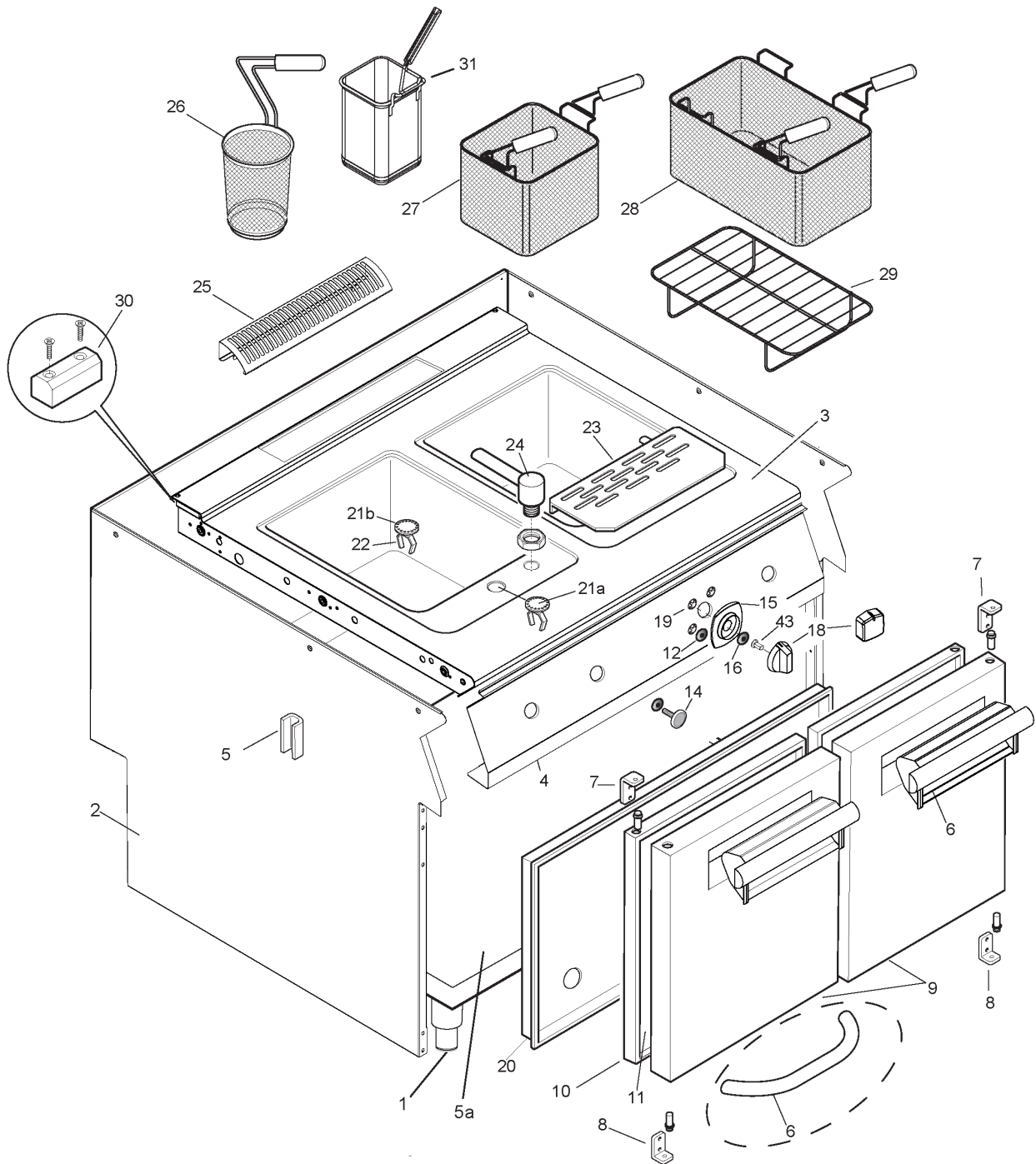
PNC	Model	Ref	Pag.	Brand	Version	Notes
391111	E9PCGD1MF0	a		ELX	GAS	1X40 LT WELL
391112	E9PCGH2MF0	b		ELX	GAS	2X40 LT WELLS
391126	E9PCED1MF0	c		ELX	EL	1X40 LT WELL
391127	E9PCEH2MF0	d		ELX	EL	2X40 LT WELLS
391273	E9PCED1MFV	u		ELX	EL	1X40 LT WELL
392126	Z9PCED1MF0	i		ZAN	EL	1X40 LT WELL
392127	Z9PCEH2MF0	l		ZAN	EL	2X40 LT WELLS
392111	Z9PCGD1MF0	m		ZAN	GAS	1X40 LT WELL
392112	Z9PCGH2MF0	n		ZAN	GAS	2X40 LT WELLS
393126	A9PCED1MF0	o		OEM	EL	1X40 LT WELL
393127	A9PCEH2MF0	p		OEM	EL	2X40 LT WELLS
393111	A9PCGD1MF0	q		OEM	GAS	1X40 LT WELL
393112	A9PCGH2MF0	r		OEM	GAS	2X40 LT WELLS
393212	A9PCGD1MFK	s		KIP	GAS	1X40 LT WELL
393213	A9PCGH2MFK	t		KIP	GAS	2X40 LT WELLS

Pag	Index	Indice	Note
2	General componets	Componenti struttura	
3	Hydraulic circuit	Impianto idraulico	
4	Gas components	Componenti Gas	
5	Electric Components	Componenti elettrici	<b>From 8251 PDX2018-03</b>
6	Gas nozzles	Ugelli per gas	
7,8,9	Spare parts list	Lista ricambi	

Brand/Marchio: All ; **FROM SERIAL 3 38 / DA MATRICOLA 3 38**

From sr. Nr/ Da Ser. Nr.: 3381 From status level / Da scatto:	Page: 1, ed 11, 2018 10	Doc. Nr.: <b>059785GJ00</b>
--	-------------------------	-----------------------------

General components / Componenti struttura



From sr. Nr/ Da Ser. Nr.: 3381  
From status level / Da scatto:

Page: 2, ed 11, 2018 10

Doc. Nr.: **059785GJ00**

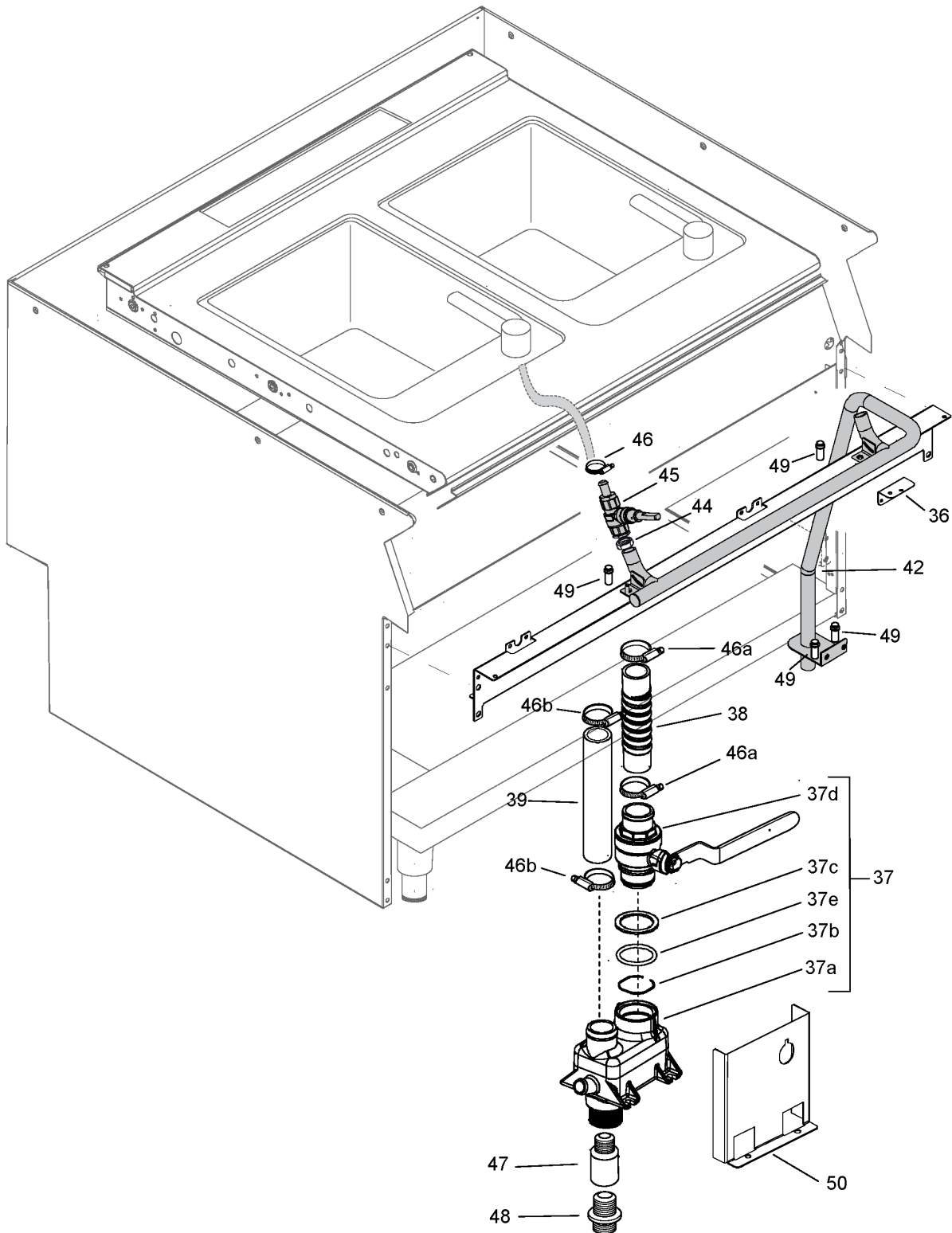
Model	All									
Table	59785GJ00		Page	2		General componets				
Pos.	Spare Part	Alias Code	Repl. by	S	Info	Kit	Techn. Bulletin	Description	Notes	
0001	0C0204	835856900						FOOT; Ø=50,5MM; PIN M10; AISI 304		
0002	000000	85089F302							i,m,o,q	
0002	0C8984	85089F402			D			COVERING PLATE	l,n,p,r	
0002	0C9010	85089DZ02			D			COVERING PLATE	b,d	
0002	0CA526	85089DY02			D			OUTER COVER	a,c	
0003	0C7151	870899Q01			D			SHELF	d	
0003	0C7152	87089A600						COVERING PLATE WITH TANK	a	
0003	0C7153	87089AW00						COVERING PLATE WITH TANK	b	
0003	0C7215	870899P00						COVERING PLATE WITH 1 TANK GAS E900	m,q	
0003	0C7393	87089AX01						COVERING PLATE WITH 2 TANK GAS E900	n,r	
0003	0C7394	87089AY01						SHELF	i,o	
0003	0C7395	87089AZ01						SHELF	l,p	
0003	0C7619	87089A501						SHELF	c	
0004	0C7135	85089AB00						CONTROL PANEL	a	
0004	0C7136	85089AF00						CONTROL PANEL	d	
0004	0C7138	85089BD00						CONTROL PANEL	b	
0004	0C7222	87089GY00						CONTROL PANEL	m	
0004	0C7388	85089FM00			D			CONTROL PANEL	n	
0004	0C7389	85089FN00						CONTROL PANEL	i	
0004	0C7390	85089FP00						CONTROL PANEL	l	
0004	0C7620	85089BF00						CONTROL PANEL	c	
0004	0C8024	502899K00						CONTROL PANEL	q	
0004	0C8025	502899Y00						CONTROL PANEL	r	
0004	0C8026	502899Z00						CONTROL PANEL	o	
0004	0C8027	502899N00						CONTROL PANEL	p	
0005	0C0156	527850500						BRACKET		
0006	0A5021	854864203						HANDLE	o,p,q,r	
0006	0C7164	51589A700	0C8769					HANDLE	a,b,c,d,	
0006	0C8190	54887A800		S				HANDLE	i,l,m,n	
0007	0C0139	516860901						HINGE		
0008	0C0138	516860801						HINGE		
0009	0C7157	50389G300						DOOR	a,b,c,d,i,l,m,n	
0009	0C7157	50389G300						DOOR	o,p,q,r	
0010	0C7158	50489CQ00						INNER DOOR		
0011	000000	85089JX00							o,p,q,r	
0011	0C4433	565819900						SPACER		

Model	All									
Table	59785GJ00		Page	2		General componets				
Pos.	Spare Part	Alias Code	Repl. by	S	Info	Kit	Techn. Bulletin	Description	Notes	
0011	0C7156	85089AA02						OVEN DOOR	a,b,c,d,i,l,m,n	
0012	0C6171	541813800	0C6172					WASHER; SILICONE		
0014	0C0201	830898200						MAGNET		
0015	0C6802	548876G01		S				RING NUT	a,b,c,d	
0015	0C6802	548876G01		S				RING NUT	i,l,m,n	
0015	0C7134	548877Y00						RING NUT	a,b,c,d	
0015	0C7178	548877X00						RING NUT	a,b,c,d	
0015	0C7385	548879H00						WATER TAP RING NUT	o,p,q,r	
0015	0C7386	54887A400						RING NUT	i,l,m,n	
0015	0C7386	54887A400						RING NUT	o,p,q,r	
0015	0C7938	54887A300						RING NUT	i,l,m,n	
0015	0C7938	54887A300						RING NUT	o,p,q,r	
0016	053816	543821000						GASKET; ØI=4,5MM; ØE=14MM; H=3MM		
0018	0A5621	548865500		S				KNOB; Ø PIN=6MM	o,p,q,r - ALPEN	
0018	0C1380	548865700		S				KNOB	o,p,q,r - ALPEN	
0018	0C7180	548878001		S				KNOB; DIA.10MM	i,l,m,n - ZAN	
0018	0C7232	548878201		S				KNOB; DIA.6	i,l,m,n - ZAN	
0018	0C8295	548876V00						KNOB; DIA.10	s,t - KIP	
0018	0C8646	54887AW00		S		Kit		ADAPTER; WITH KNOB; DIA.10; KIT	a,b,c,d,u - ELUX	
0018	0C8700	548877W00		S		Kit		KNOB WITH ADAPTER; DIA.6; KIT	a,b,c,d,u - ELUX	
0019	069567	218912211	0C6288					RING CONNECTION		
0020	000000	50489Y400								
0020	000000	50489Y500								
0022	054905	514848300						SPRING FILTER; AISI 304		
0023	0C0559	528822601						DRIP TRAY		
0024	0C5567	511832302						WATER SPOUT		
0025	0C7333	50389LP00		S				CHIMNEY GRID; L=400MM		
0026	056917	F927212						PASTA COOKER BASKET; DIA 170X180 MM		
0026	056918	F927213		S				PASTA COOKER BASKET; Ø135X180MM		
0027	056915	F926210						PASTA COOKER BASKET; 275X150X180MM 2GRIF		
0027	056916	F927211	0C1339					PASTA COOKER BASKET; 275X230X180 MM		
0028	056920	F927216	0C1341					PASTA COOKER BASKET; 275X480X180 MM		
0029	056922	F927219						BOTTOM GRILL		
0030	0C9655			S		Kit		CONNECTION REAR PLATE; KIT	Screws and plate	
0031	0C9938	F206236	0CA806					PASTA COOKER BASKET; 140X140X215H		
0043	025245	214590701		S				KNOB SPRING	ZAN, ALPEN	

Model		All									
Table		59785GJ00			Page		2		General componets		
Pos.	Spare Part	Alias Code	Repl. by	S	Info	Kit	Techn. Bulletin	Description	Notes		
0043	0C8716	54887AQ00		S		+		ADAPTER; DIA.10	a,b,c,d,u - ELUX		
005a	0CA064	50389GX03			D			BOTTOM PLATE	c,i,o		
005a	0CA085	50389GY03			D			BOTTOM PLATE	d,l,p		
021a	004836	506864501		S				STRAINER; DIAM. 50MM	except for KIP		
021b	0C6960	506899Z01						BOTTOM STRAINER; DIAM. 34MM	Also overflow for KIP		

FROM S/N 3 38 - DA MATRICOLA S/N 3 38

**Idraulic circuit (water) / Componenti impianto idraulico (acqua)**



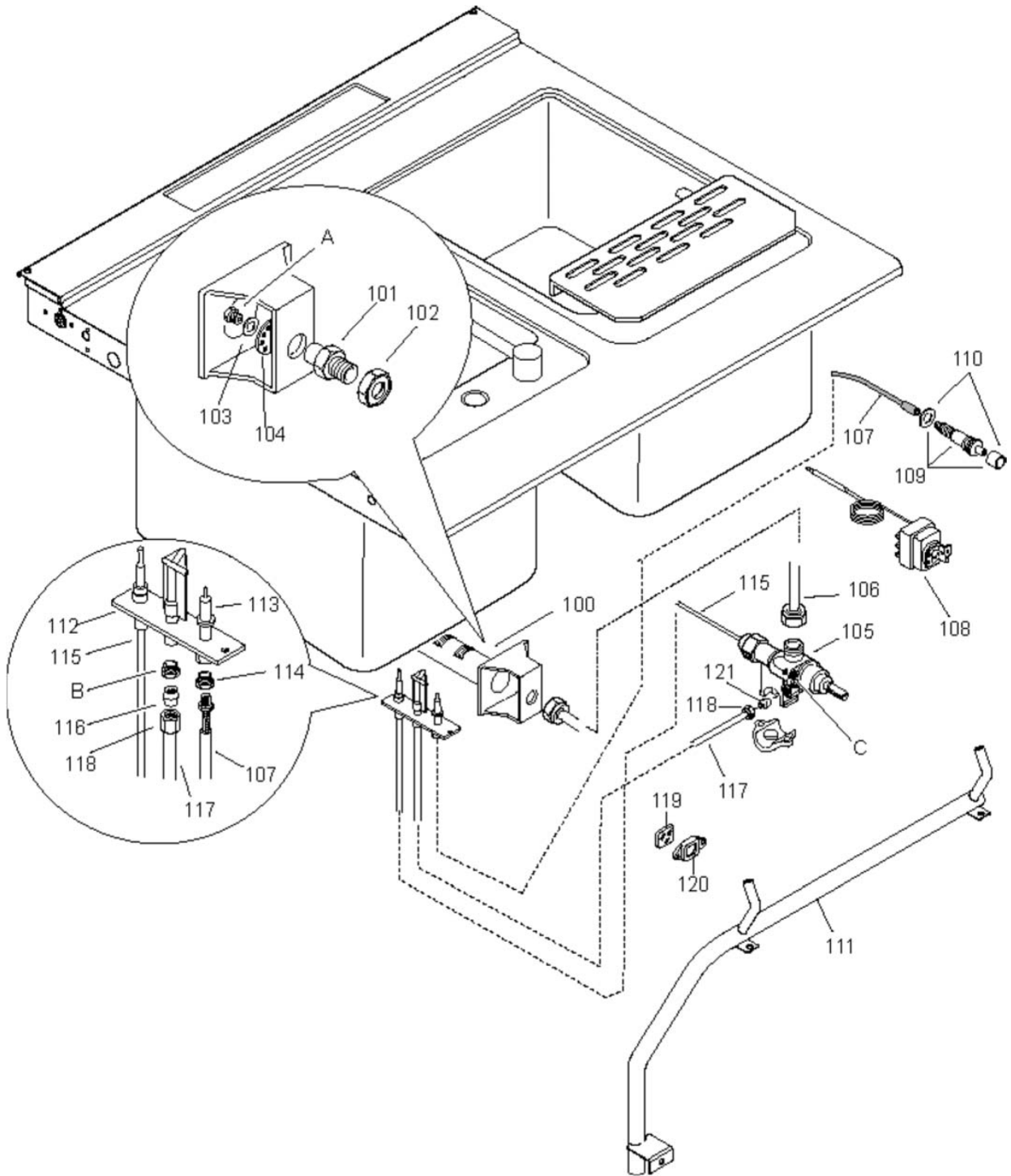
From sr. Nr/ Da Ser. Nr.: 3381  
From status level / Da scatto:

Page: 3, ed 11, 2018 10

Doc. Nr.: **059785GJ00**

Model	All								
Table	59785GJ00		Page	3	Hydraulic circuit				
Pos.	Spare Part	Alias Code	Repl. by	S	Info	Kit	Techn. Bulletin	Description	Notes
0036	0C9743	50689DY00			D			DRILLING JIG	TB PDX2013-03
0037	0C6953	855899X02	0CA490					DRAIN MANIFOLD	Up to 5481...
0037	0CA490	855899X06		S				DRAIN MANIFOLD	From 5491...
0038	0C9200	544825P00	0CA373					DRAIN HOSE; L=225MM; DIA.38MM	Up to 5201...
0038	0CA373	544825Z00		S				DRAIN HOSE; DIA.30MM L=171MM	From 5211...
0039	0C7133	544825F00		S				OWERFLOW PIPE	
0042	0C9633	83089JZ01						WATER PIPE; CP 1/2M	a,c,i,m,o,q - 1x40 WELL
0042	0C9634	83089K001						WATER PIPE; CP 1M	b,d,l,n,p,r - 2x40 WELL
0042	0C9740	83089KF02						WATER PIPE; KIT FOR 1/2M	a,c,i,m,o,q - TB PDX2013-03 - 1x40 WELL
0042	0C9741	83089KG02						WATER PIPE; KIT FOR 1M	b,d,l,n,p,r - TB PDX2013-03 - 2x40 WELL
0044	0C8993	516875100		S				LOCK NUT; 3/8"; SP.6MM	
0045	0C9635	835877Z00		S				BALL VALVE; 3/8"	
0046	049888	518613100		S				HOSE CLAMP	
0047	0C9205	511851900		S				SLEEVE; 1" GAS	Up to WK38-2013...
0048	0C9204	511851900		S				NIPPLE; 1" GAS	Up to WK38-2013
0049	0C7118	518803100		S				INSERT; M5	TO FIX POS.42
0050	000000	50589L700							Except for KIP
037a	0CA570	544825903	0CA490					WATER DRAIN FITTING	From 5491...
037b	0CA571	516899A02						SPRING RING	From 5491...
037c	0CA463	206800101						WASHER; DI.33.2 DE.42 SP.2MM	From 5491...
037d	0CA464	80589A303	0CA490					WATER VALVE; 1"	From 5491...
037e	0C6800	543827500		S				O-RING; DIA.32.93XSP.3.53	
046a	0C9201	518825C00		S				CLAMP; 37-40MM	
046b	0L2728	518613300		S				CLAMP; 25-40 9MM INOX	

Gas components / Componenti gas



From sr. Nr/ Da Ser. Nr.: 3381

From status level / Da scatto:

Page: 4, ed 11, 2018 10

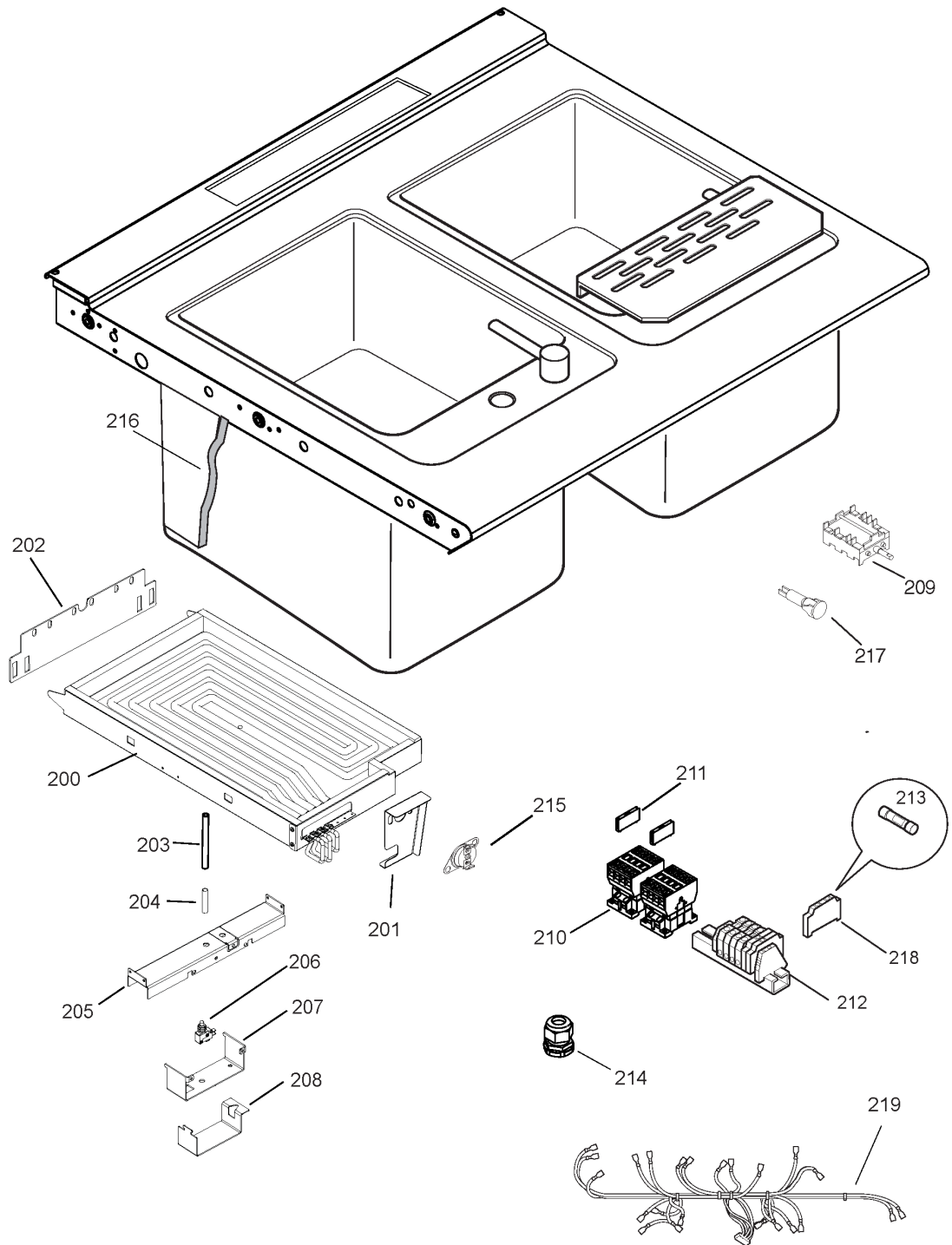
Doc. Nr.: **059785GJ00**



Model	All									
Table	59785GJ00		Page	4		Gas components				
Pos.	Spare Part	Alias Code	Repl. by	S	Info	Kit	Techn. Bulletin	Description	Notes	
0100	0C8028	83089DV01						BURNER		
0101	054118	514829700						NOZZLE		
0102	020997	214105101						LOCK NUT		
0103	054029	506833401						GASKET		
0104	054039	830828001						AERATOR		
0105	0C8647	835875R01		S				GAS TAP		
0106	0C8029	80589AN00						VALVE-BURNER PIPE		
0107	0C9198	80589BY00		S	A			IGNITION CABLE; L=700MM	700MM - LONG	
0108	005295	646809901						SAFETY THERMOSTAT; 170°C	a,b,m,n,q,r - (gas)	
0109	059251	835829600	002605				02005	PIEZOELECTRIC IGNITER		
0109	0C9240	835834901		S	A	+		PIEZOELECTRIC IGNITER		
0109	0C9407	541809001	0C9409		A	+		PUSH BUTTON COVER		
0109	0C9408	516814601	0C9409					WASHER; FOR PIEZOELECTRIC IGNITER		
0110	0C9409			S		Kit		PUSH BUTTON COVER; KIT		
0111	0C8030	83089DD00						GAS FEED PIPE	b,d,l,n,p,r - 2x40 WELL	
0111	0C8031	83089DA00						GAS FEED PIPE	a,c,i,m,o,q - 1x40 WELL	
0112	054032	830828100						PILOT BURNER		
0113	052610	330272401						SPARK PLUG; DIA 6X44 MM		
0114	052125	214164400						PIPE FITTING; M10X1; HOLE DIAM.4MM		
0115	0C3162	831818901		S	A			INTERRUPTED THERMOCOUPLE; ORKLY 16400-35		
0116	053665	515827401						DOUBLE CONE; DIAM.=4MM		
0117	0C8032	51589A901		S				PIPE		
0118	052125	214164400						PIPE FITTING; M10X1; HOLE DIAM.4MM		
0119	000000									
0120	000000									
0121	052127	215199700						DOUBLE CONE; DIA 4MM		

FROM S/N 8251 - DA MATRICOLA S/N N 8251

Electric components / Componenti elettrici



Actual wire harness may be different from illustration.  
Il cablaggio elettrico puo' essere diverso dall'illustrazione

From sr. Nr/ Da Ser. Nr.: 3381

From status level / Da scatto:

Page: 5, ed 11, 2018 10

Doc. Nr.: **059785GJ00**

Model	All									
Table	59785GJ00		Page	5	Electric Components					
Pos.	Spare Part	Alias Code	Repl. by	S	Info	Kit	Techn. Bulletin	Description	Notes	
0200	0CB381	61783AM00		S				HEATING ELEMENT; 400V 10KW	From 8251 - PDX2018-03	
0201	0CB475	50289H101	0CB476		D			HEATING ELEMENT SUPPORT	From 8251 - PDX2018-03	
0202	0CB474	50489TZ02	0CB476		D			HEATING ELEMENT SUPPORT; THERMALIZER PAN	From 8251 - PDX2018-03	
0203	0C8182	569807501		S				STEATITE TUBE		
0204	0CB496	51489DT01						BRAS ROD	From 8251 - PDX2018-03	
0205	0CA958	50489T402			D			SUPPORT; FOR ROD and MICRO	From 8251 - PDX2018-03	
0206	0CA553	640804N00						MICROSWITCH	From 8251 - PDX2018-03	
0207	000000	50589JP00							From 7451	
0208	000000	50789A000							From 7451	
0209	0C7353	641805101		S	A			COMMUTATOR; 8 POLI 5 POS.	c,d,u - ELUX	
0209	0C7353	641805101		S	A			COMMUTATOR; 8 POLI 5 POS.	i,l - ZAN	
0209	0C7353	641805101		S	A			COMMUTATOR; 8 POLI 5 POS.	o,p - ALPEN	
0210	0C7622	648807900		S	A			CONTACTOR; 230V 50/60HZ		
0211	000000	H58194500								
0212	006854	639806600		S				TERMINAL BOARD		
0213	0C1884	652806400		S				FUSE; T10A; USA; 10X38MM	10 A	
0214	0C0068	544802300						FIXING CABLE		
0215	0C6155	653800000		S				KLIXON; 120°C; RIP MANUAL	c,d,u,i,l,o,p - (electric)	
0216	0CA200	560873903						INSULATOR		
0217	005010	876800002						GREEN PILOT LAMP ASSY; ROUND; 230V		
0218	075737	652603200						FUSE HOLDER		
0219	0C9678	638899T02		S				WIRING HARNESS	c,i,o - 1x40 WELL	
0219	0CA119	638899U02			D			WIRING HARNESS	d,l,p - 2x40 WELLS	
0219	0CB458				D			Gas Pasta cooker maintenance;KIT;N900 40	40LT Gas Pasta cooker (12+44+45+46+109+112+113 +114+115+116+118+121+nozz les TABLE B)	
0219	0CB459				D			Gas Pasta cooker 3rd year maintenance;KI	40LT Gas Pasta cooker (12+39+44+45+46+4x46b +109+112+113+114+115+11 6+118+121+nozzles TABLE B)	
0219	0CB460				D			Electric Pasta cooker maintenance;KIT: 4	40LT Electric Pasta cooker (12+44+45+46)	
0219	0CB461				D			Electric Pasta cooker 3rd year maintenan	40LT Electric Pasta cooker (12+39+44+45+46+4x46b)	
0219	0CB462				D			Gas Pasta cooker maintenance;KIT;N900 2X	2X 40LT Gas Pasta cooker (2x12+2x44+2x45+2x46+2x1 09+2x112+2x113+2x114+2x1 15+2x116+2x118+2x121+nozz les TABLE B)	
0219	0CB463				D			Gas Pasta cooker 3rd year maintenance;KI	2X 40LT Gas Pasta cooker (2x12+2x39+2x44+2x45+2x4 6+8x46b +2x109+2x112+2x113+2x114 +2x115+2x116+2x118+2x121 +nozzles TABLE B)	
0219	0CB464				D			Electric Pasta cooker maintenance;KIT; 2	2X 40LT Electric Pasta cooker (2x12+2x44+2x45+2x46)	

Model		All		Page		5		Electric Components	
Table		59785GJ00		Page		5		Electric Components	
Pos.	Spare Part	Alias Code	Repl. by	S	Info	Kit	Techn. Bulletin	Description	Notes
0219	0CB465				D			Electric Pasta cooker 3rd year maintenanc	2X 40LT Electric Pasta cooker (2x12+2x39+2x44+2x45+2x46+8x46b)

**Gas nozzles / Ugelli per gas**

<b>A - Ugello bruciatore / Burner nozzle</b>				
Code	Spare Code	Reference		Ref / PNC
514899200	005934	ø2.05	3+3B/P	G30 30mbar
516821700	003514	ø1.95	3B/P	G30 37mbar
514833600	054631	ø1.80	3B/P	G30 50mbar
514831200	054034	ø3.00	2H/2E+	G20 20mbar
516844100	006419	ø2.90	2H	G20 25mbar
514869900	058245	ø3.25	2L	G25 25mbar
514831200	054034	ø3.00	2K	G25.3 25mbar
516844400	0C9487	ø3.45	2ELL	G25 20mbar
514869900	058245	ø3.25	2S	G25.1 25mbar
514848900	055018	Ø2.20	Propane	
516844100	006419	Ø2.90	Methane	
				KOREA market
				KOREA market

<b>B - Ugello Pilota / Burner nozzle</b>				
Code	Spare Code	Reference		Ref / PNC
514833900	054286	n° 24	3+3B/P	G30 30mbar
514833900	054286	n° 24	3B/P	G30 37mbar
514833900	054286	n° 24	3B/P	G30 50mbar
514831500	054037	n° 25	2H/2E+	G20 20mbar
514831500	054037	n° 25	2H	G20 25mbar
514831500	054037	n° 25	2L	G25 25mbar
514831500	054037	n° 25	2K	G25.3 25mbar
514831500	054037	n° 25	2ELL	G25 20mbar
514831500	054037	n° 25	2S	G25.1 25mbar
514833900	054286			Propane
514831500	054037			Methane
				KOREA market
				KOREA market

<b>C - Vite Minimo / Min Screw</b>				
Code	Spare Code	Reference		Ref / PNC
0835820700	056742	ø1.10	3+3B/P	G30 30mbar
0835802000	002392	ø0.95	3B/P	G30 37mbar
0835802000	002392	ø0.95	3B/P	G30 50mbar
0835837000	002993	ø1.80	2H/2E+	G20 20mbar
0835837000	002993	ø1.80	2H	G20 25mbar
0835837000	002993	ø1.80	2L	G25 25mbar
0835837000	002993	ø1.80	2K	G25.3 25mbar
0835837000	002993	ø1.80	2ELL	G25 20mbar
0835837000	002993	ø1.80	2S	G25.1 25mbar
0835820700	056742	ø1.10	Propane	
0835837000	002993	ø1.80	Methane	
				KOREA market
				KOREA market

From sr. Nr/ Da Ser. Nr.: 3381

From status level / Da scatto:

Page: 6, ed 11, 2018 10

Doc. Nr.: **059785GJ00**

Model	All								
Table	59785GJ00		Page	6	Gas nozzles				
Pos.	Spare Part	Alias Code	Repl. by	S	Info	Kit	Techn. Bulletin	Description	Notes
0000	000000	0835802000							
0000	000000	0835820700							
0000	000000	0835837000							
0000	000000	514831200							
0000	000000	514831500							
0000	000000	514833600							
0000	000000	514833900							
0000	000000	514848900							
0000	000000	514869900							
0000	000000	514899200							
0000	000000	516744100							
0000	000000	516821700							
0000	000000	516844100							
0000	000000	516844400							
0000	000000	516869900							
0000	002392							SCREW	
0000	002993			S				SCREW	
0000	003514							NOZZLE	
0000	005934			S				NOZZLE	
0000	006419			S				NOZZLE	
0000	054034							NOZZLE; DIA.3,00	
0000	054037							PILOT BURNER NOZZLE; N°25.2; GN	
0000	054286							PILOT BURNER NOZZLE; DIA 0,25 GPL	
0000	054631							NOZZLE	
0000	055018							NOZZLE	
0000	056742							SCREW	
0000	058245							NOZZLE; DIA.3,25	
0000	0C9487							GAS NOZZLE; DIA.3,45MM	