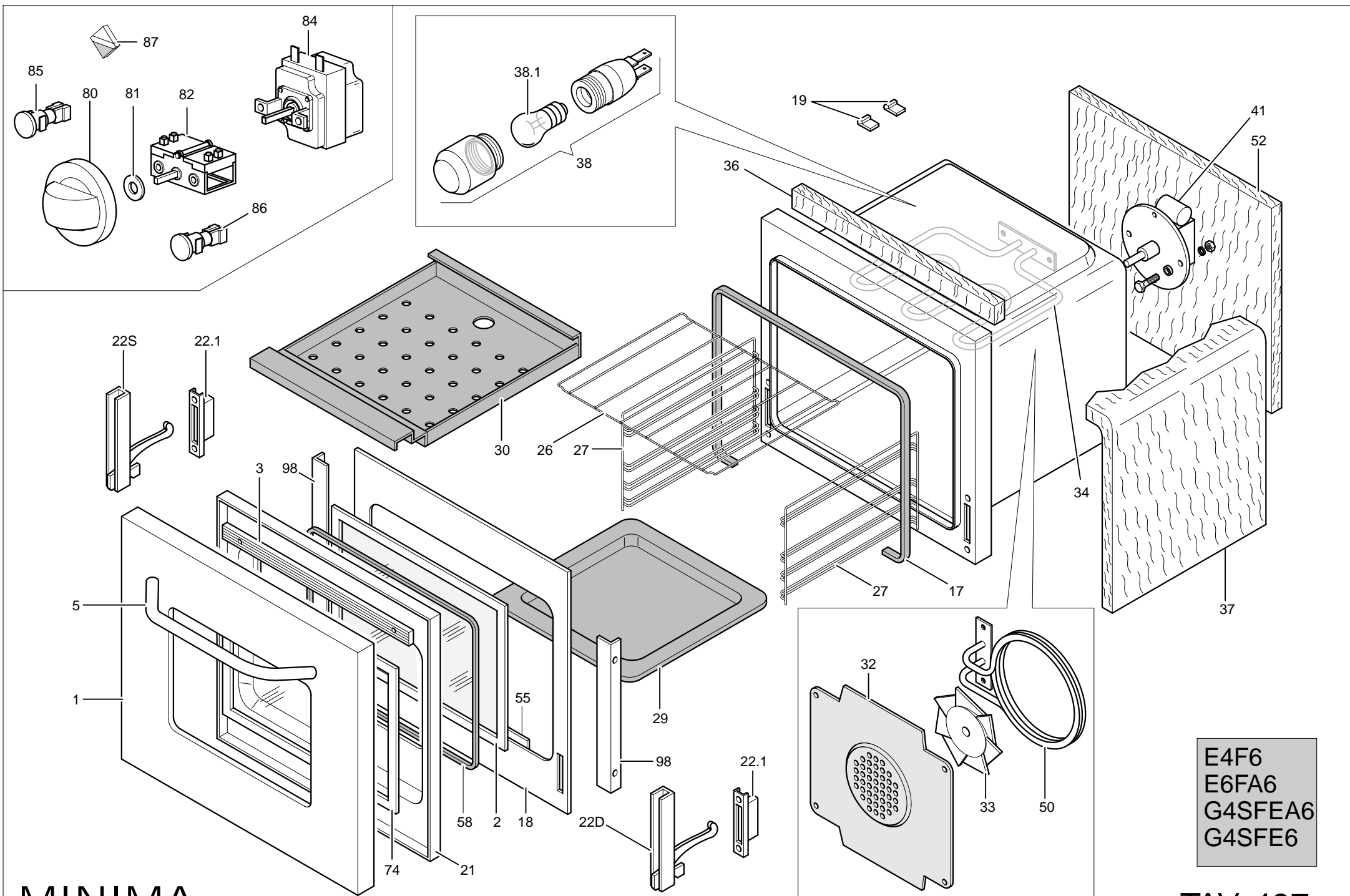


G4SFE6

MINIMA

TAV. 436

| | | | | | | |
|---------------|----|------------|--------------------------------|--|--------------------------------------|---------------------------------------|
| MINIMATAV.436 | 28 | RTCU700293 | MARCHIO RIF.FUOCHI P.L.G4S7 | RÉFÉRENCE DE LES FEUX | REFERENCE FIRES | HINWEIS-FEUER |
| MINIMATAV.436 | 1 | PACU600340 | CRUSCOTTO G4SFE6 | TABLEAU CONTR. G4SF6 | INSTRUMENT PANEL G4SF6 | ARMATURENBRETT G4SFE6 |
| MINIMATAV.436 | 3 | PACU600054 | POSTERIORE INOX | PANNEAU POSTÉRIEURE INOX | STAINLESS STEEL BACK PANEL | INOX-RÜCKWAND |
| MINIMATAV.436 | 5 | GACU600007 | AS.CAMINETTO SUP.G4S6/1 | CHEMINÉE | CHIMNEY | SCHORNSTEIN |
| MINIMATAV.436 | 45 | RTBF700021 | PASSACAVO PG16+DADO 53015140 | CHAUMARD Ø 16 | CHOCK Ø 16 | KABELDURCHGANG Ø 16 |
| MINIMATAV.436 | 31 | RTCU700292 | MARCHIO+CLIPS MBM TURCH. | MARQUE MBM | MBM MARK | LOGO MBM |
| MINIMATAV.436 | 37 | RTCU900415 | CAVO ALIMENTAZIONE | CÂBLE DE ALIMENTATION | FEEDING CABLE | VERSORGUNGSKABEL |
| MINIMATAV.436 | 12 | RTCU600044 | COPERCHIO BRUC.3KW 809/31 | COUVERCLE 3KW | COVER 3KW | BECKENABDECKUNG 3KW |
| MINIMATAV.436 | 13 | RTCU600113 | TU.AL.BRUC.POST.SX G4S6 | TUYAU D'ALIMENTATION POSTÉRIEUR GAUCHE | TUBO AL.POSTERIORE SX | TUBO AL.POSTERIORE SX |
| MINIMATAV.436 | 14 | RTCU600018 | BRUC.3.6KW+I.D1,35 G4S6 740/58 | BRÛLEUR 3,6KW | BURNER 3.6KW | BRENNER 3,6KW |
| MINIMATAV.436 | 15 | RTCU600042 | SPARTIFIAMMA 3,6KW G4S6 741/03 | CHAPEAU DU BRÛLEUR 3,6KW | BURNER CAP 3,6KW | FLAMMERBRENNER 3,6KW |
| MINIMATAV.436 | 16 | RTCU600040 | COPERCHIO EST.BRUC.3,6KW 744/3 | COUVERCLE 3,6KW | COVER 3,6KW | BECKENABDECKUNG 3,6KW |
| MINIMATAV.436 | 17 | RTCU600041 | COPERCHIO CENT.B.3.6KW 943/31 | COPERCHI CENTR. 3,6KW | COPERCHI CENTR. 3,6KW | COPERCHI CENTR. 3,6KW |
| MINIMATAV.436 | 36 | RTCU600476 | CAVO ADAT.ACCESSIONE G4S6 | CABLE ADAP.ALLUMAGE G4S6 | IGNITION ADAPTOR CABLE G4S6 | ADAPTER KABEL ZÜNDUNG G4S6 |
| MINIMATAV.436 | 34 | RTCU600190 | ACC.E.G4SF6 4USCITE BF5004650 | ALL.E.G4SF6 4SORTIES BF5004650 | ELECTR.IGN.G4SF6 4-OUTPUTS BF5004650 | EL. ZÜNDUNG.G4SF6 4AUSGÄNGE BF5004650 |
| MINIMATAV.436 | 6 | RTCU600019 | GRIGLIA PL.G4S6 NERA/LUC/RAAF | GRILLE G4S6 | GRATE G4S6 | ROST G4S6 |
| MINIMATAV.436 | 42 | RTCU600047 | MOLLETTA FIS.CAND.ACC.G4S6 813 | PINCE FIX.BOUG.ALL.G4S6 813 | IGN.SPARK PLUG CLIP G4S6 813 | KLEMMZANGE ZÜNDKERZE G4S6 813 |
| MINIMATAV.436 | 20 | RTCU600089 | INIET.SAB/D.0.84 0222 | INJECTEUR SAB D.084 | INJECTOR SAB D.084 | EINSPRITZERSAB D.084 |
| MINIMATAV.436 | 19 | RTCU600045 | CANDELETTA ACC.3KW | ELECTRODE ALLUMAGE ACC.3KW | SPARK PLUG3KW | ZÜNDKERZE3KW |
| MINIMATAV.436 | 18 | RTCU600021 | TERMOCOPPIA 3KW | THERMOCOUPLE 3KW | THERMOCOUPLE 3KW | THERMOELEMENT 3KW |
| MINIMATAV.436 | 33 | RTCU600110 | TU.AL.BRUC.POST.DX G4S6 | TUYAU D'ALIMENTATION POSTÉRIEUR DROIT | TUBO AL.POSTERIORE DX | TUBO AL.POSTERIORE DX |
| MINIMATAV.436 | 38 | RTCU600052 | DADO FIS.T/COPIA G4S6 0814 | ECROU FIX.T/COUPLE G4S6 0814 | FIXING NUT T/COUPLE G4S6 0814 | MUTTER THERMOELEMENT G4S6 0814 |
| MINIMATAV.436 | 23 | RTCU600101 | INIET.SAB/D.0.93 0222 | INJECTEUR SAB D.093 | INJECTOR SAB D.093 | EINSPRITZERSAB D.093 |
| MINIMATAV.436 | 22 | RTCU600039 | TERMO COPPIA 3,6KW | THERMOCOUPLE 3,6KW | THERMOCOUPLE 3,6KW | THERMOELEMENT 3,6KW |
| MINIMATAV.436 | 42 | RTCU600047 | MOLLETTA FIS.CAND.ACC.G4S6 813 | PINCE FIX.BOUG.ALL.G4S6 813 | IGN.SPARK PLUG CLIP G4S6 813 | KLEMMZANGE ZÜNDKERZE G4S6 813 |
| MINIMATAV.436 | 21 | RTCU600046 | CANDELETTA ACC. 3,6KW | ELECTRODE ALLUMAGE ACC. 3,6KW | SPARK PLUG 3,6KW | ZÜNDKERZE 3,6KW |
| MINIMATAV.436 | 38 | RTCU600052 | DADO FIS.T/COPIA G4S6 0814 | ECROU FIX.T/COUPLE G4S6 0814 | FIXING NUT T/COUPLE G4S6 0814 | MUTTER THERMOELEMENT G4S6 0814 |
| MINIMATAV.436 | 32 | RTCU600111 | TU.AL.BRUC.ANT.DX G4S6 | TUYAU D'ALIMENTATION ANTÉRIEUR DROIT | TUBO AL.ANTERIORE DX | TUBO AL.ANTERIORE DX |
| MINIMATAV.436 | 43 | PACU600341 | FIANCO G4SF6 | COTE G4SF6 | SIDE G4SF6 | SEITE G4SF6 |
| MINIMATAV.436 | 46 | RTCU600189 | PULSANTE ACC.G4SF6 NERO | POUSSOIR ALL.G4SF6 NOIR | ELECTR.IGN.GUARD G4SF6 BLACK | ZÜNDKNOPF SCHWARZ G4SF6 |
| MINIMATAV.436 | 7 | PACU600003 | FIANCO DX G4S6 | CÔTÉ DROITE | RIGHT SIDE | RECHTE SEITE |
| MINIMATAV.436 | 29 | RTCU600193 | AS. RAMPA G4SFE6 ZINC. | GR.RAMPE G4SFE6 ZING. | RAMP ASS. G4FE6 GALVANIZED | EINHEIT RAMPE G4SFE6 ZINC. |
| MINIMATAV.436 | 43 | PACU600341 | FIANCO G4SF6 | COTE G4SF6 | SIDE G4SF6 | SEITE G4SF6 |
| MINIMATAV.436 | 44 | RTBF900045 | MORSETTIERA C4EF+SIMB/1-6 | GROUPE DE CONNECTION 6 POLES | TERMINAL BLOCK 6 POLES | KLEMMBRETT 6 POLIG |
| MINIMATAV.436 | 35 | RTCU700294 | MARCHIO RIF.FUOCHI FORNO G4SF7 | MARQUE | MARK | MARK |
| MINIMATAV.436 | 24 | RTCU600064 | MANOP.RUB.V.G4S6 TURCH. | BOUTON | KNOB | DREHGRIF |
| MINIMATAV.436 | 25 | RTCU600054 | STAFFA FIS.RUB.V.G4S6 3755/6 | ROBINET ÉTRIER | STIRRUP TAP | DREHGRIF |
| MINIMATAV.436 | 26 | RTCU600016 | RUB.V.CUC.G4S6+GUAR.5631/1CE10 | ROBINET | TAP | HAHN |
| MINIMATAV.436 | 4 | PACU600002 | FIANCO SX G4S6 | CÔTÉ GAUCHE | LEFT SIDE | RECHTE SEITE |
| MINIMATAV.436 | 2 | PACU600049 | PLACCA | PLAN DE CUISSON | WORK PLANE | PLATTE |
| MINIMATAV.436 | 9 | RTCU600112 | TU.AL.BRUC.ANT.SX G4S6 | TUYAU D'ALIMENTATION ANTÉRIEUR GAUCHE | TUBO AL.ANTERIORE SX | TUBO AL.ANTERIORE SX |
| MINIMATAV.436 | 10 | RTCU600017 | BRUC.3KW+I.D.1.15 G4S6 803/22 | BRÛLEUR 3KW | BURNER 3KW | BRENNER 3KW |
| MINIMATAV.436 | 11 | RTCU600043 | SPARTIFIAMMA 3KW G4S6 806/3 | CHAPEAU DU BRÛLEUR 3KW | BURNER CAP 3KW | FLAMMERBRENNER 3KW |



E4F6
 E6FA6
 G4SFEA6
 G4SFE6

| | | | | | | |
|---------------|-------|------------|--|------------------------------------|---|---------------------------------|
| MINIMATAV.437 | 24 | RTCU600064 | MANOP.RUB.V.G4S6 TURCH. | BOUTON | KNOB | DREHGRIFF |
| MINIMATAV.437 | 21 | RIC0002676 | CONTROPORATA RUS NERO | FAUSSE PORTE RUS NOIRE | COUNTER-DOOR RUS BLACK | GEGENTÜR RUS SCHWARZ |
| MINIMATAV.437 | 58 | RIC0002676 | CONTROPORATA RUS NERO | FAUSSE PORTE RUS NOIRE | COUNTER-DOOR RUS BLACK | GEGENTÜR RUS SCHWARZ |
| MINIMATAV.437 | 2 | RIC0002587 | CRISTALLO INTERNO F/60 FUMO DI LONDRA | CRYSTAL INTERIEUR F/60 ANTHRACITE | INSIDE PLATE GLASS F/60 ANTHRACITE GREY | KRISTALL INTERN F/60 DUNKELGRAU |
| MINIMATAV.437 | 18 | RIC0002675 | FACCIATA 60 G NERO | FAÇADE 60G.NOIRE | FRONT 60 G.BLACK | VORDERSEITE SCHWARZ 60 G. |
| MINIMATAV.437 | 22D | RIC0002133 | CERNIERA PORTA DX F/E810 | CHARNIERE PORTE D.TE F/E810 | DOOR HINGE, RH F/E810 | SCHARNIER RECHTE TÜR F/E810 |
| MINIMATAV.437 | 30 | 3180001800 | SCATOLA SUPPORTO BRUCIATORE GL | BOITE SUPPORT BRULEUR GL | BURNER HOLDER GL | KASTENHALTERUNG BRENNER GL |
| MINIMATAV.437 | 80 | RTCU600195 | MANOP. TERM. F E4F6 | BOUTON DU THERMOSTAT F E4F6 | THERMOSTAT KNOB F E4F6 | THERMOSTATKUGELGRIFF E4F6 |
| MINIMATAV.437 | 81 | RTCU800185 | GUARN. ASTA COMM. | JOINT TIGE COMMUTATEUR | SWITCH ROD GASKET | DICHTUNG STAB UMSCHALTER |
| MINIMATAV.437 | 22S | RIC0002134 | CERNIERA PORTA SX F/E810 | CHARNIERE PORTE G.CHE F/E810 | DOOR HINGE, LH F/E810 | SCHARNIER LINKE TÜR F/E810 |
| MINIMATAV.437 | 22.01 | RIC0002448 | PORTARULLINO CERNIERA | PORTE-ROULEAU CHARNIERE PORTE | DOOR HINGE PIN-HOLDER | ROLLENFÜHRUNG TÜRSCHARNIER |
| MINIMATAV.437 | 3 | RIC0002674 | LISTA RINFORZO MANIGLIA E | LATTE RENFORCEMENT POIGNEE E | HANDLE STIFFENER E | VERSTÄRKUNGSLEISTE GRIFF UND |
| MINIMATAV.437 | 98 | 3200002900 | SQUADRA FISSA FORNO A FACCIATA | EQUERRE FIXE FOUR A FAÇADE | FRONT OVEN TRY SQUARE | FESTER BÜGEL EINBAU-OFEN |
| MINIMATAV.437 | 50 | RIC0001835 | RESISTENZA CIRCOLARE 3SP 2500/3000W 220/240V | RESISTANCE 3SP 1500/3000W 220/240V | RESISTANCE | WIDERSTAND |
| MINIMATAV.437 | 22.01 | RIC0002448 | PORTARULLINO CERNIERA | PORTE-ROULEAU CHARNIERE PORTE | DOOR HINGE PIN-HOLDER | ROLLENFÜHRUNG TÜRSCHARNIER |
| MINIMATAV.437 | 98 | 3200002900 | SQUADRA FISSA FORNO A FACCIATA | EQUERRE FIXE FOUR A FAÇADE | FRONT OVEN TRY SQUARE | FESTER BÜGEL EINBAU-OFEN |
| MINIMATAV.437 | 26 | 9626153500 | GRIGLIA INTERNA SAGOMATA F/60 | GRILLE INTERIEURE FAÇONNEE F/60 | SHAPED INSIDE GRILL F/60 | PROFILGITTER INNEN F/60 |
| MINIMATAV.437 | 27 | 9626155000 | GUIDA LATERALE F/60 | GUIDE LATERALE F/60 | SIDE GUIDE F/60 | SEITLICHE FÜHRUNG F/60 |
| MINIMATAV.437 | 17 | RIC0002340 | GUARNIZIONE FACCIATA F/60 | JOINT FAÇADE F/60 | FRONT STREEP F/60 | DICHTUNG VORDERSEITE F/60 |
| MINIMATAV.437 | 74 | RIC0002679 | CRISTALLO INTERNO FI/60 FISSO | CRYSTAL INTERIEUR FI/60 FIXE | INSIDE PLATE GLASS FI/60 FIX | KRISTALL INNEN FI/60 FEST |

| | | | | | | |
|--------------|----------|------------|-------------------------------------|----------------------------------|-------------------------------------|-----------------------------|
| MINIMATAV437 | 84 | RTCU600186 | T. E E4F6 | THERMOSTAT E E4F6 | THERMOSTAT E E4F6 | THERMOSTAT E E4F6 |
| MINIMATAV437 | 87 | RTCU700294 | MARCHIO RIF.FUOCHI FORNO G4SF7 | MARQUE | MARK | MARK |
| MINIMATAV437 | 85 | RTCU900072 | LAMP.SP.GIALLA/250V/TBF013.SF6 | LAMPE TÉMOIN JAUNE | YELLOW WARNING LAMP | GELBE KONTROLLEUCHTE |
| MINIMATAV437 | 38.01.00 | RIC0002592 | LAMPADA | LAMPE | LAMP | LAMPE |
| MINIMATAV437 | 82 | RTCU600185 | COMM. F G4SFED | COMMUTATEUR F G4SFED | COMMUTATOR F G4SFED | KOMMUTATOR F G4SFED |
| MINIMATAV437 | 41 | 9343420000 | MOTOVENTILATORE 220/240V. | VENTILATEUR 220/240V | FAN 220/240V | VENTILATOR 220/240V |
| MINIMATAV437 | 52 | 9807222000 | PANNELLO ISOLANTE SCHIENA F/60 | PANNEAU ISOLANT DOS F/60 | BACK INSULATING PANEL F/60 | ISOLIERPANEEL |
| MINIMATAV437 | 38 | RIC0002549 | PORTALAMPADA | DOUILLE | LAMP-HOLDER | LAMPENHALTERUNG |
| MINIMATAV437 | 36 | 9807211000 | PANNELLO ISOLANTE CIELO F/60 | PANNEAU ISOLANT CIEL F/60 | TOP INSULATING PANEL F/60 | ISOLIERPANEEL OBEN F/60 |
| MINIMATAV437 | 86 | RTCU900290 | LAMPADA SPIA VERDE | LAMPE TEMOIN VERTE | GREEN WARNING LAMP | GRÜNE KONTROLLEUCHTE |
| MINIMATAV437 | 34 | RIC0001836 | RESISTENZA GRILL F/60 NIP | RESISTANCE GRILL F/60 NIP | GRILL RESISTOR F/60 NIP | GRILLWIDERSTAND F/60 NIP |
| MINIMATAV437 | 5 | RIC0002479 | MANIGLIA PONTE INOX | POIGNEE PONT INOX | ST.STEEL HANDLE | EDELSTAHL BÜGELGRIFF |
| MINIMATAV437 | 37 | 9807207000 | MATERASSINO ISOLANTE F/60 | PETIT MATELAS ISOLANT F/60 GAZ | INSULATING PAD F/60 GAS | ISOLIERMATTE F/60 GAS |
| MINIMATAV437 | 32 | 3150000119 | PANNELLO COPRIVENTOLA E AUTOPULENTE | PANNEAU DE L'ABRI DU VENTILATEUR | PANEL OF THE SELFCLEANING FAN COVER | TAFEL DER FÄCHER-DECKE |
| MINIMATAV437 | 1 | 3170004440 | BOMBATO PORTA F/60 INOX | BOMBE PORTE F/60 INOX | CONVEX DOOR F/60 ST.STEEL | GEWÖLBTE TÜR F/60 EDELSTAHL |
| MINIMATAV437 | 55 | RIC0002677 | SQ FISSA VETRO CONTROPORTA | EQUERRE FIXE VERRE FAUSSE PORTE | TRY SQUARE FOR COUNTER-DOOR GLASS | FESTER WINKEL GLAS GEGENTÜR |
| MINIMATAV437 | 29 | 3140000304 | PADELLA E NERO | POELE E NOIRE | FRYPAN AND BLACK | PFANNE SCHWARZ |