

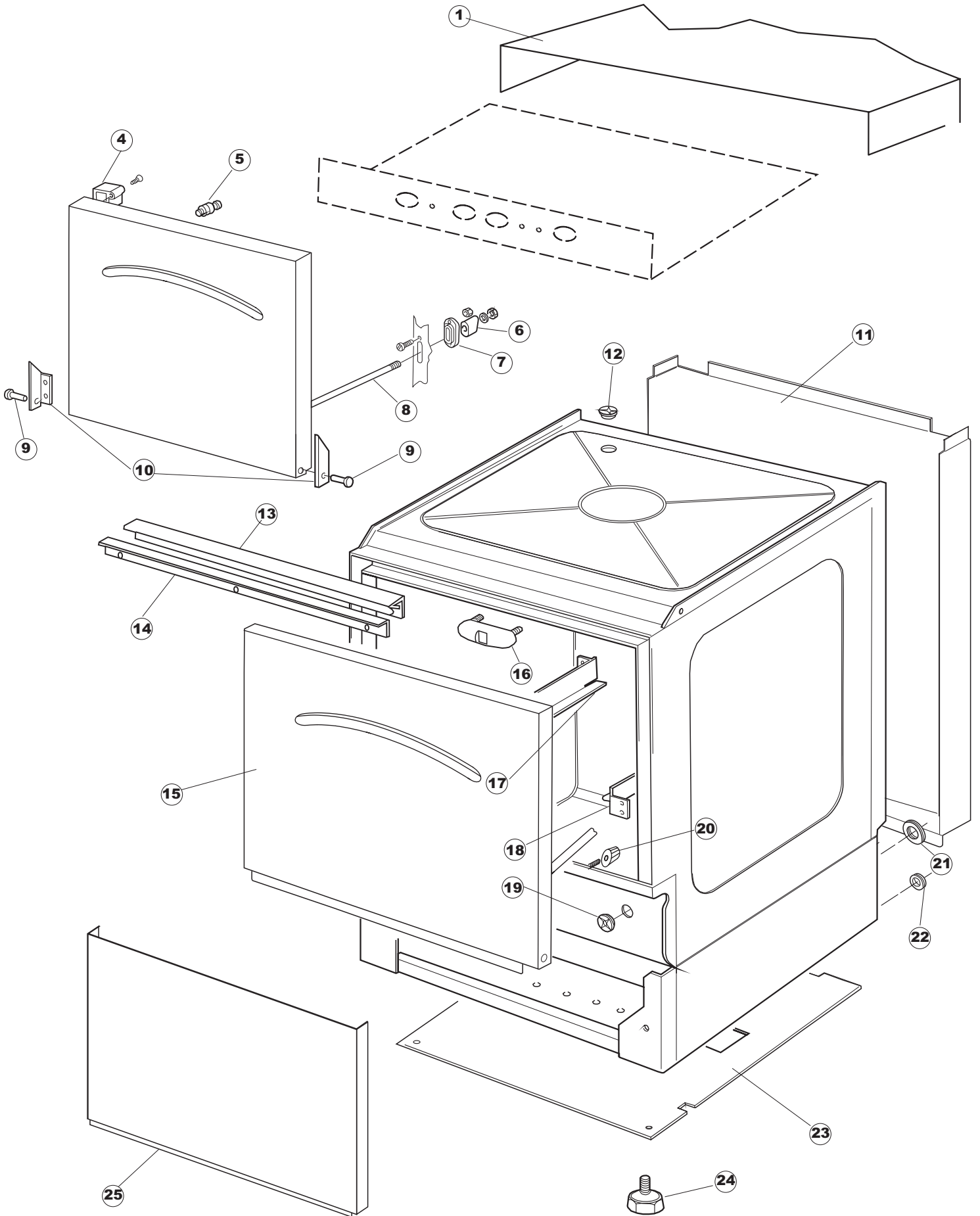
ELETTROBAR

**SPARE PARTS CATALOGUE
ERSATZTEILKATALOG
CATALOGUE PIECES DETACHEES
CATALOGO PARTI RICAMBIO
CATALOGO DE PIEZAS DE RECAMBIO
CATALOGO PEÇAS DE REPOSIÇÃO**

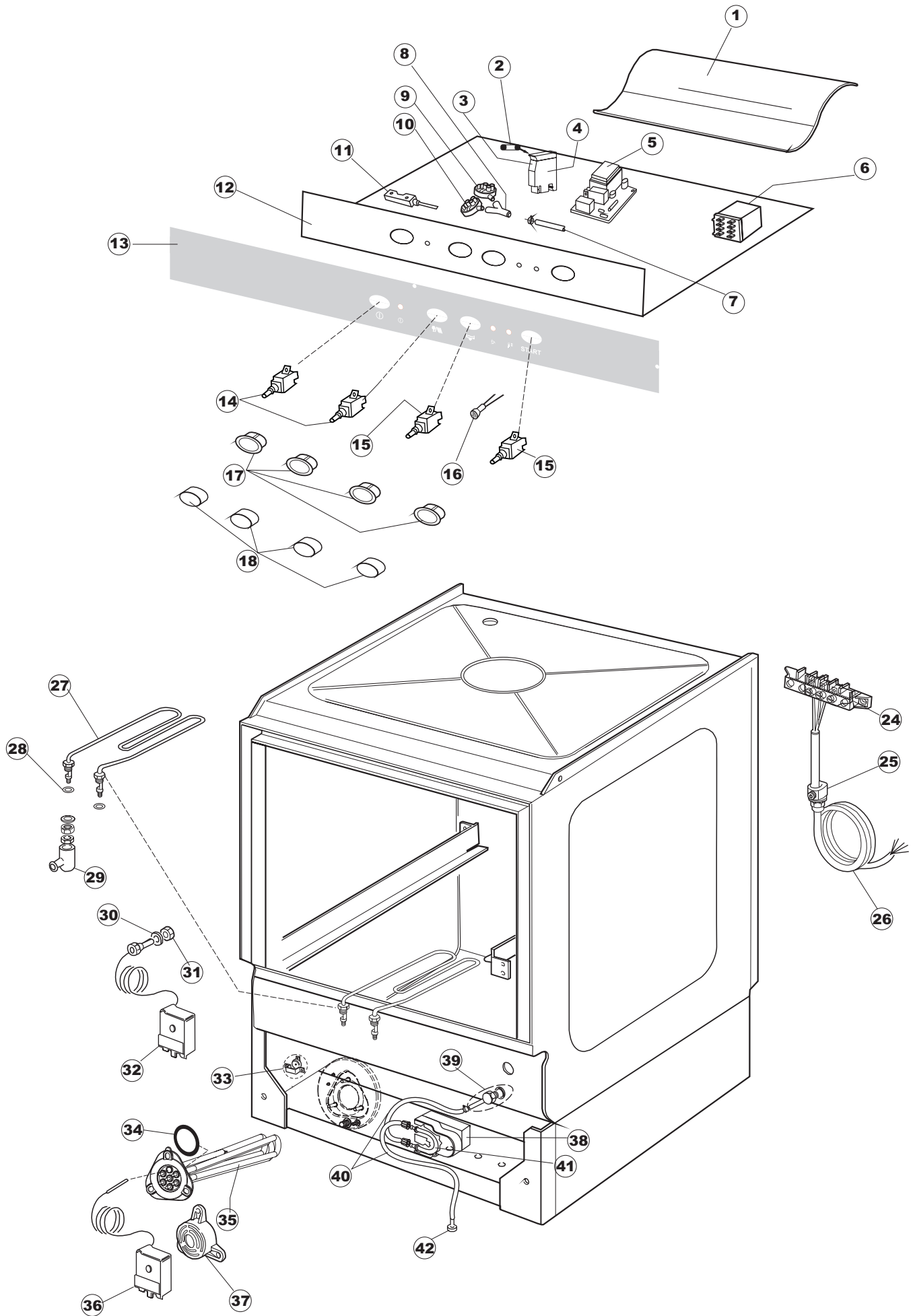
Fast 160DP

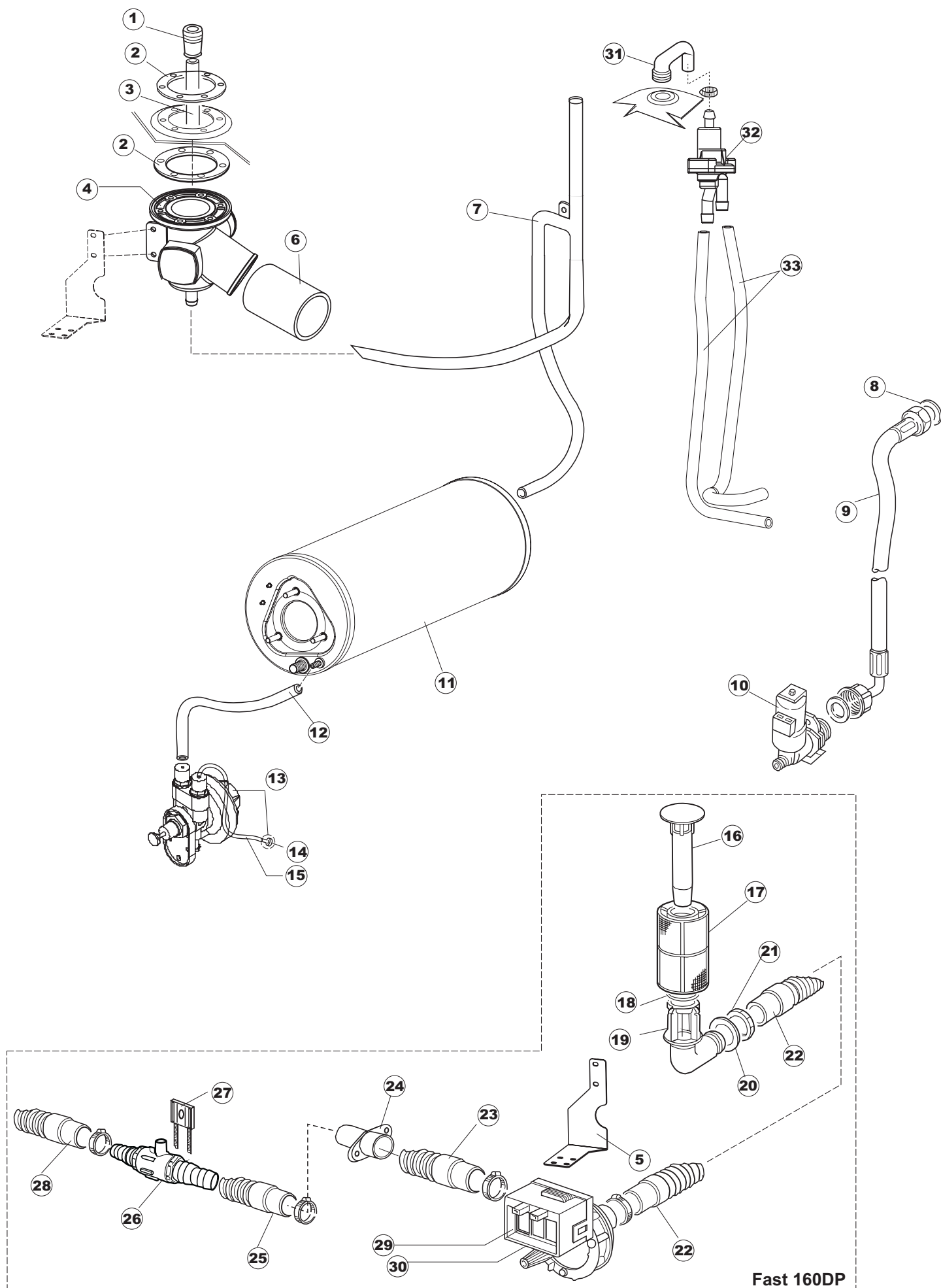
27-03-2012

1

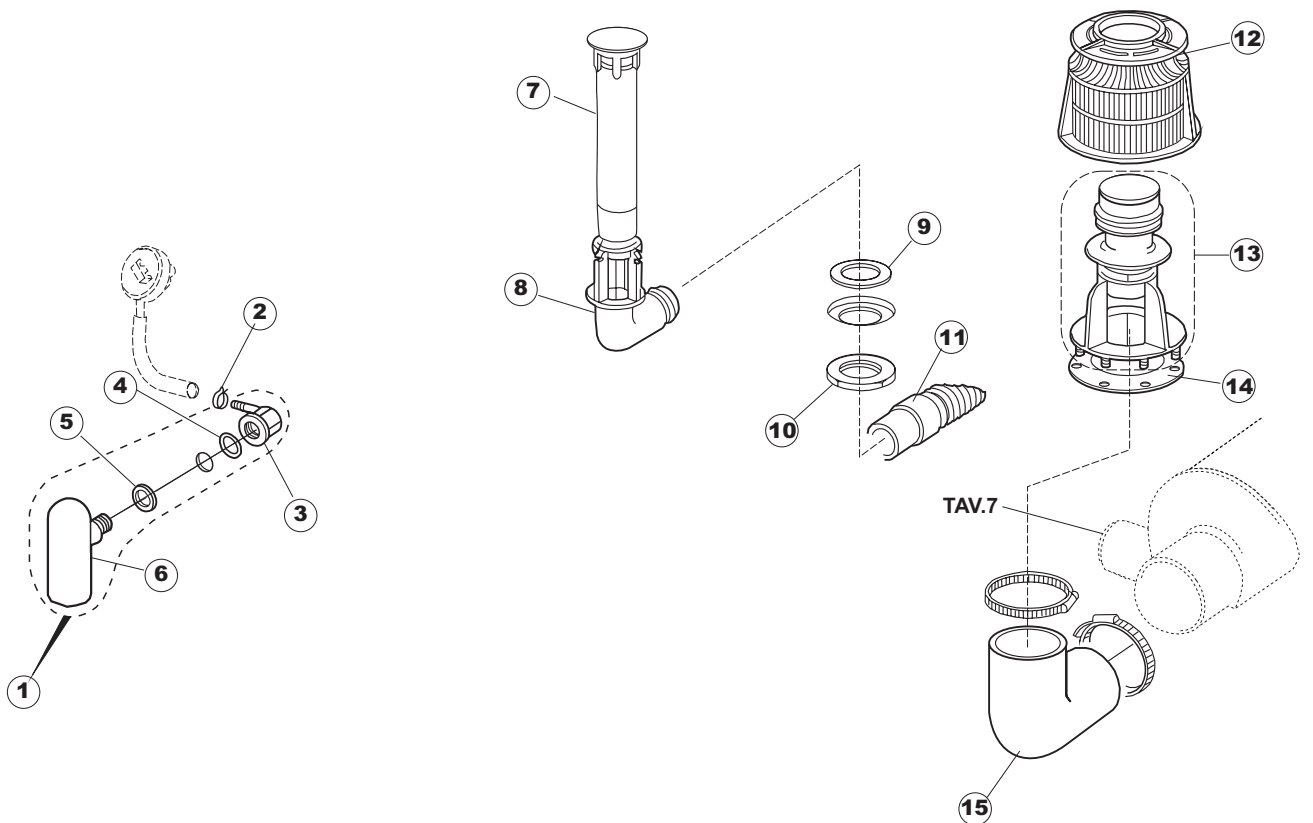
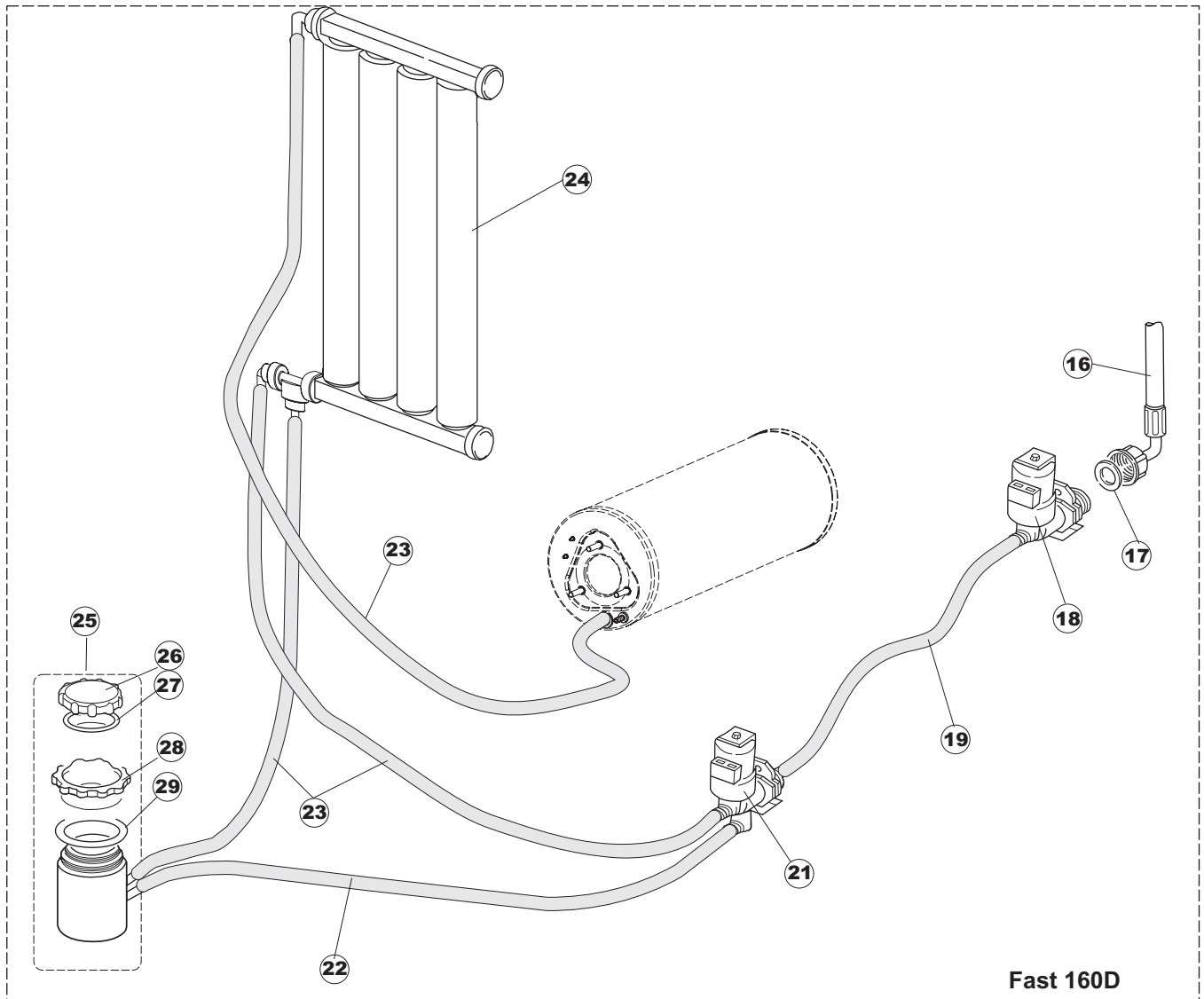


2

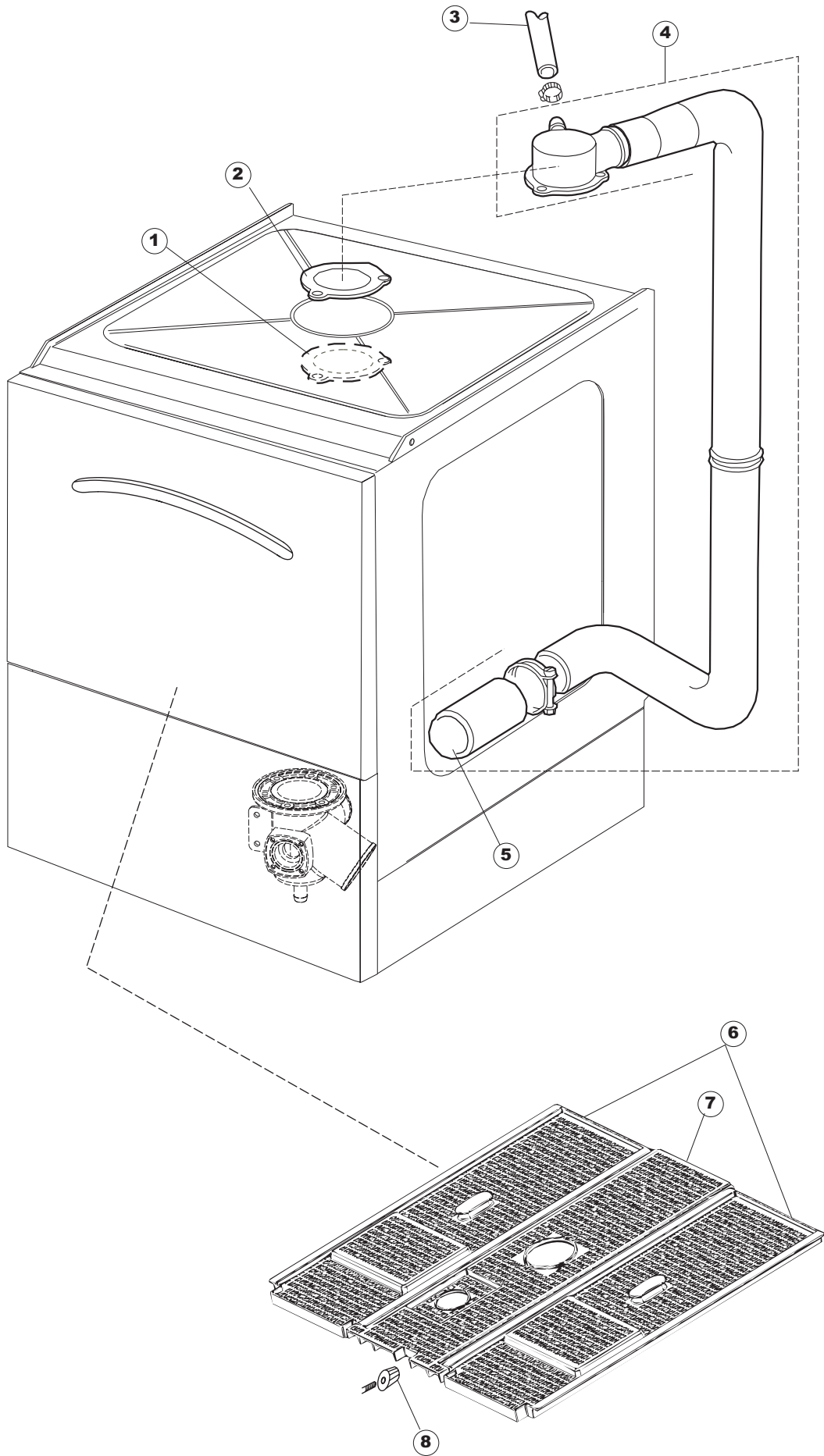




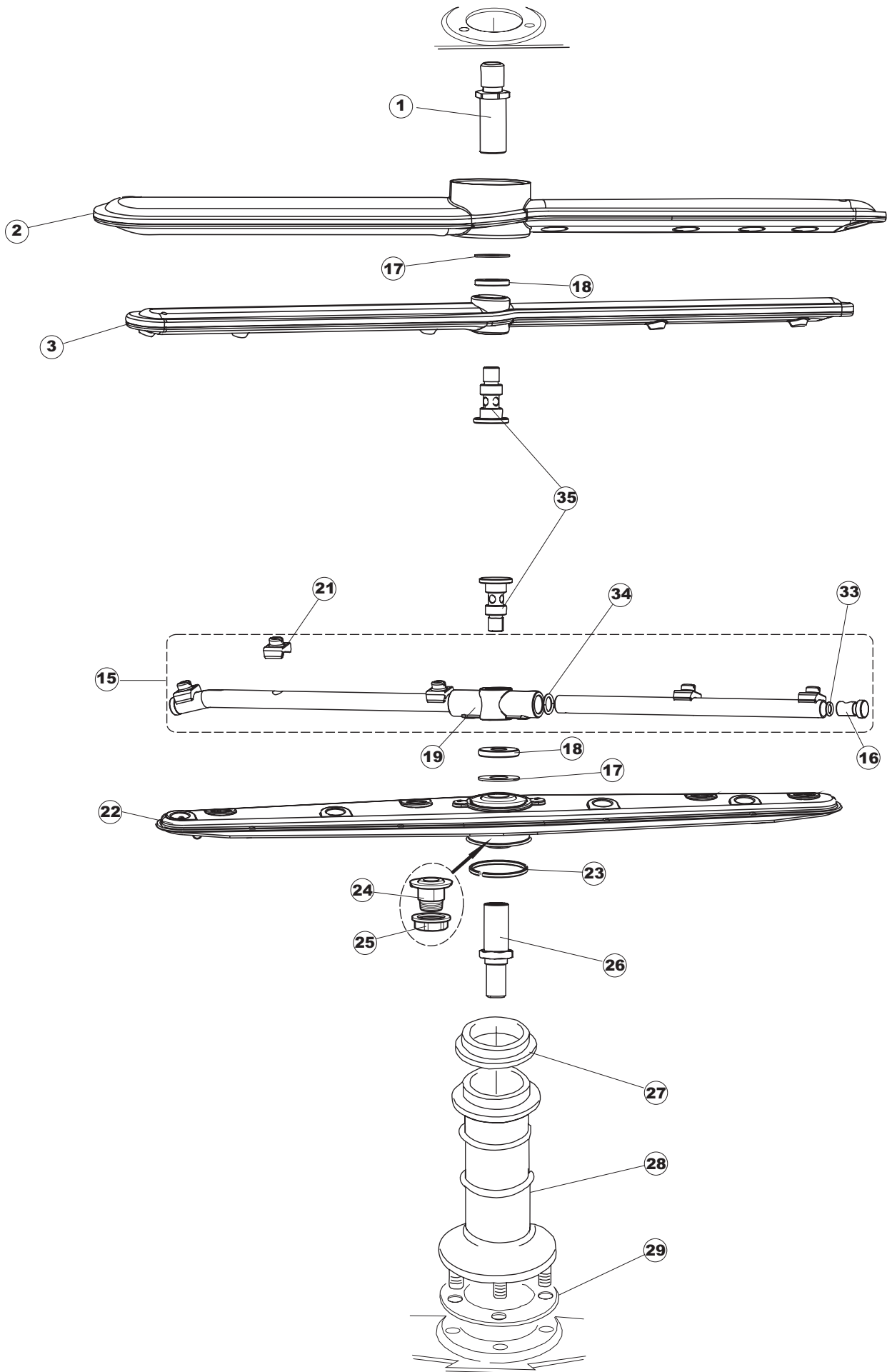
Fast 160DP



5

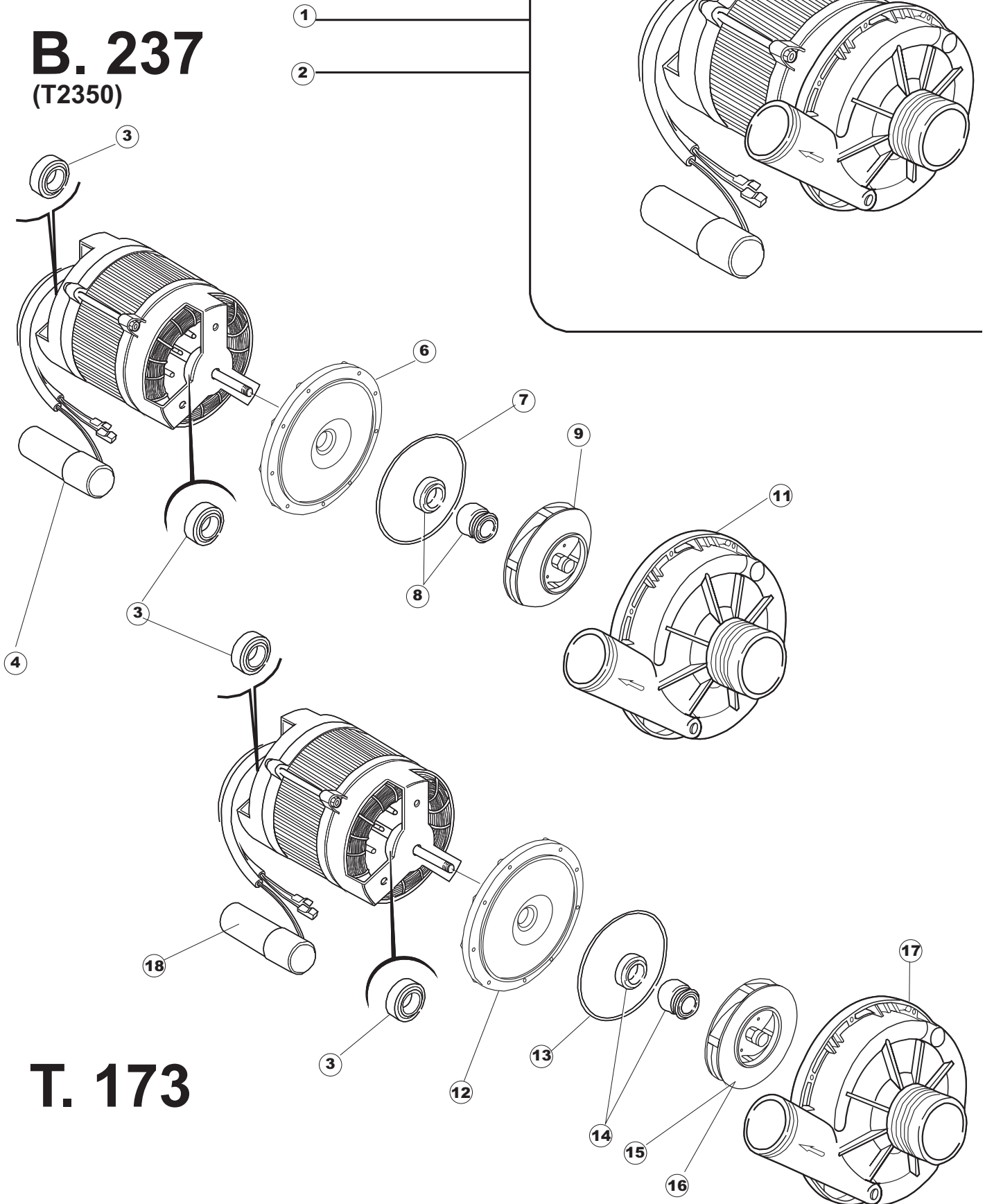


6



B. 237

(T2350)



T. 173

| Seite | Position | Code | Alter Code | Beschreibung | | |
|-------|----------|--------|------------|---|--|--|
| 1 | 1 | 004066 | REB004066 | DECKEL - 50/503 | | |
| 1 | 4 | 999108 | REB999108 | GRUPPO CALAMITA PORTA 453/463/500/503 | | |
| 1 | 5 | 325030 | REB325030 | PFLOCK, SCHLOSS INOX | | |
| 1 | 6 | 417041 | REB417041 | SCHRAUBENMUTTER, TÜRANSCHLAG | | |
| 1 | 7 | 307003 | REB307003 | ANSCHLAG, SCHRAUBENMUTTER FÜR STAB | | |
| 1 | 8 | 304021 | REB304021 | STANGE, TÜRSCHIENE 50/500/453/463/503 | | |
| 1 | 9 | 325036 | REB325036 | ZAPFEN, TÜRSCHARNIER 50 | | |
| 1 | 10 | 311019 | REB311019 | SCHARNIER, TÜR 45/46/50.. | | |
| 1 | 11 | 022095 | REB022095 | PLATTE, HINTEN CPL 50/503 | | |
| 1 | 12 | 480058 | REB480058 | GUMMISTÖPSEL D.17 | | |
| 1 | 13 | 437081 | REB437081 | DICHTUNG, TÜR - 50/503 | | |
| 1 | 14 | 033301 | REB033301 | WINKEL, FEST FÜR TÜRDICHTUNG 50/503 | | |
| 1 | 15 | 029646 | | TUER | | |
| 1 | 16 | 994012 | DWS30 | GRUPPO SERRATURA EB/F 22/44 | | |
| 1 | 17 | 015064 | | KORBBAHN SX. | | |
| 1 | 18 | 015063 | | KORBBAHN DX. | | |
| 1 | 19 | 480057 | REB480057 | GUMMISTÖPSEL D.14 | | |
| 1 | 20 | 408006 | REB408006 | BESCHLAG, FÜR TANKFILTER - GRAU | | |
| 1 | 21 | 459004 | REB459004 | ROHRDURCHGANG, GUMMI DI.34 | | |
| 1 | 22 | 459006 | REB459006 | KABELDURCHGANG, DI9/De16 22 | | |
| 1 | 23 | 030080 | REB030080 | SCHUTZ, UNTEN SOCKEL 50/503 | | |
| 1 | 24 | 461019 | REB461019 | VERSTELLFUSS D30 M8 | | |
| 1 | 25 | 012326 | | FRONTPANEEL | | |
| 2 | 1 | 214108 | | DURCHSICHTIGER SCHUETZ FUER ELEKTRISCHE ANLAGE DES GESCHIRRSPUELERS | | |
| 2 | 2 | 228010 | | SICHERUNG 5X20 T4A | | |
| 2 | 3 | 210010 | | SICHERUNGSHALTER | | |
| 2 | 4 | 210011 | | PLAETTCHEN | | |
| 2 | 5 | 215029 | | KARTE | | |
| 2 | 6 | 229039 | | RELAIS 62.82.8.230.0300 | | |
| 2 | 7 | 143013 | REB143013 | SCHLAUCH PVC GRUEN 4X7 | | |
| 2 | 8 | 035031 | REB035031 | Y-VERBINDUNGSST., DRUCKSCHALTER 760 | | |
| 2 | 9 | 224010 | | DRUCKSCHALTER, SICHERH. ABLASSPUMPE 110/75 | | |
| 2 | 10 | 224003 | REB224003 | DRUCKSCHALTER - 55/35 | | |
| 2 | 11 | 80871 | | TUERKONTAKTSCHALTER | | |
| 2 | 12 | 025990 | | BEDIENUNGSBLENDE AMIKA 6X | | |
| 2 | 13 | 026184 | | MASKE POLYESTERE | | |
| 2 | 14 | 208010 | REB208010 | ABLENKER, DOPPELT - 35/40/50 | | |
| 2 | 15 | 226071 | REB226071 | DRUCKT. MIT DOPPELKONTAKT 35/40/50 | | |
| 2 | 16 | 216025 | REB216025 | KONTROLL-LAMPE, REIHE 24.5.0.00.04.78 | | |
| 2 | 17 | 226121 | | ELLIPTISCHE, DRUCKTASTENGEHAEUSE (111362) | | |
| 2 | 18 | 227067 | | TASTE, ELLIPT. BLAU | | |
| 2 | 24 | 220011 | REB220011 | * KLEMMENBRETT, 5-POLIG + ERDUNG FV.122 | | |
| 2 | 25 | 459005 | REB459005 | KABELKLIPPS, STEAB Art.5024 | | |
| 2 | 26 | 204034 | | KABEL, [CE] H07RNF 5x1.5x3,0mt | | |
| 2 | 27 | 230086 | REB230086 | WIDERSTAND, TANK 2700W/220V-3200W/240V 22/44/50 | | |
| 2 | 28 | 456015 | REB456015 | O-Ring 112 9.92X2.62 | | |
| 2 | 29 | 463007 | REB463007 | FITTING, WIDERSTANDSSCHUTZ | | |
| 2 | 30 | 437030 | REB437030 | DICHTUNG, D14D22S1.5 FASERSTOFF | | |
| 2 | 31 | 417017 | REB417017 | SCHRAUBENMUTTER, TANKTHERMOSTAT | | |
| 2 | 32 | 236042 | REB236042 | THERMOSTAT, TANK TR711 Tf-53ø | | |
| 2 | 33 | 236047 | REB236047 | SICHERHEITSTHERMOSTAT | | |

| | | | | | | |
|---|----|----------|-----------|---|--|--|
| 2 | 34 | 456002 | REB456002 | O-Ring 48x6,2 | | |
| 2 | 35 | 230116 | | HEIZUNG 3000W/230V | | |
| 2 | 36 | 236043 | REB236043 | THERMOSTAT, BOILER TR711 Tf-83ø | | |
| 2 | 37 | 69870 | | HEIZUNGSCHUETZ DES WARMWASSERBEREITERS | | |
| 2 | 38 | 209029 | | PERISTAKTISCHES DOSIERGERAET REINIGER | | |
| 2 | 39 | 468151 | DZR150NT | TANKEINLAUF CPL NM* | | |
| 2 | 40 | 143194 | REB143194 | SCHLAUCH 4X6 CRISTAL, DURCHS. | | |
| 2 | 41 | 143258 | | MEMBRANSCHLAUCH SANTOPREN | | |
| 2 | 42 | 121993 | | FILTERANORDNUNG | | |
| 3 | 1 | 441009 | REB441009 | EINSATZ, DICHT. D10 SAMM.S621- | | |
| 3 | 2 | 437014 | REB437014 | DICHTUNG, UNT.SAMMELLEITUNG S850 | | |
| 3 | 3 | 143174 | REB143174 | ROHR, UNT. WASSERSAMMELL.NACHSPÜL. 50 | | |
| 3 | 4 | 111030 | | GR.SAMMLER UNTEN NEUTRAL E50NM+VERSCHL | | |
| 3 | 5 | 035064 | | BÜGEL, ABLASSPUMPE FÜR SAMMELLEITUNG 50NM | | |
| 3 | 6 | 127026 | REB127026 | MUFFE, ZUFUHR PUMPE 22/500 | | |
| 3 | 7 | 143240 | | LEITUNG, H-)OB.COND. | | |
| 3 | 8 | 437041 | REB437041 | DICHTUNG 3/4 GASVERSORG. | | |
| 3 | 9 | 929169 | RAT32 | TUBO DI CARICO DEL TERMOPLAS.VEDI 143270 | | |
| 3 | 10 | 240011 | REB240011 | ZUFLUSSVENTIL 1-WEG C.33290127 | | |
| 3 | 11 | 104060 | | BOILER | | |
| 3 | 12 | 143005 | SPG10 | SCHLAUCH TP 5X11 (CASER/15/NL C4N) | | |
| 3 | 13 | 209025 | | DOSIERPUMPE KLARSPUELER | | |
| 3 | 14 | 121149 | | SIEB FUER SPUELMITTELPUMPE | | |
| 3 | 15 | H.775601 | | ROHR 4x6 CRISTAL BLAU PVC | | |
| 3 | 16 | 142053 | REB142053 | ÜBERLAUF, ABLASS 50/503 NM | | |
| 3 | 17 | 121078 | REB121078 | FILTER, ABLASSPUMPE 463/503 | | |
| 3 | 18 | 303019 | REB303019 | SPANNRING FÜR ABLASSPUMPENFILTER 503 | | |
| 3 | 19 | 136023 | REB136023 | ABFLUSS, GEBOGEN 50/503 | | |
| 3 | 20 | 437063 | CGG42 | DICHTUNG, ABFLUSS 50 | | |
| 3 | 21 | 417081 | CDP2 | SCHRAUBENMUTTER, KUNST. 1'- 1/4 | | |
| 3 | 22 | 127050 | REB127050 | MUFFE, STEIF ABS. ABL.P. 500/503 | | |
| 3 | 23 | 127044 | REB127044 | MUFFE, ABSAUG.ABLASSPUMPE 353/403 | | |
| 3 | 24 | 468152 | REB468152 | VERBINDUNGSST., ABLAUF CLEAN.3 | | |
| 3 | 25 | 127037 | REB127037 | MUFFE, ABLAUF CLEAN.3 | | |
| 3 | 26 | 144003 | REB144003 | ENTLÜFTUNGSVENTIL, ABLASSPUMPE | | |
| 3 | 27 | 423024 | REB423024 | SHELLE, KUNST. BEF.FÜR ABLASSROHRPUMPE | | |
| 3 | 28 | 143178 | REB143178 | ABLASSROHR - 50 | | |
| 3 | 29 | 130176 | | ABFLUSSPUMPE 50HZ. | | |
| 3 | 30 | 130150 | | ABLASSPUMPE (50/503/460/BD18) 60HZ | | |
| 3 | 31 | 143189 | REB143189 | RÖHRCHEN, ENTLÜFT. DVGW CLEAN.3 | | |
| 3 | 32 | 144011 | REB144011 | RÜCKSCHLAGVORR.(EB) | | |
| 3 | 33 | 143004 | REB143004 | ROHR, DRUCKSCHALTER TP 10X17 (CASER/15NL C4N) | | |
| 4 | 1 | 984005 | REB984005 | GRUPPO CAMPANA PRESSOST.35/40 | | |
| 4 | 2 | 423011 | REB423011 | SHELLE, FEDER | | |
| 4 | 3 | 468029 | REB468029 | VERBINDUNGSSTK. TANKEINLAUF | | |
| 4 | 4 | 456020 | REB456020 | O-Ring 3050 R495 | | |
| 4 | 5 | 437019 | REB437019 | DICHTUNG, GLOCKE DRUCKSCH. V.M. | | |
| 4 | 6 | 107005 | REB107005 | GLOCKE, DRUCKSCHALT. EB 35/40 | | |
| 4 | 7 | 142052 | REB142052 | ÜBERLAUF 50/503 NM | | |
| 4 | 8 | 136023 | REB136023 | ABFLUSS, GEBOGEN 50/503 | | |
| 4 | 9 | 437063 | CGG42 | DICHTUNG, ABFLUSS 50 | | |
| 4 | 10 | 417081 | CDP2 | SCHRAUBENMUTTER, KUNST. 1'- 1/4 | | |
| 4 | 11 | 143178 | REB143178 | ABLASSROHR - 50 | | |
| 4 | 12 | 121052 | DAF136U | FILTER, PUMPE - 22/44 | | |
| 4 | 13 | 478059 | | HALTER, FILTER GRAU+VERLANGERUNG | | |
| 4 | 14 | 437015 | REB437015 | DICHTUNG, PUMPENFILTER S651- | | |

| | | | | | | |
|---|----|--------|-----------|---|--|--|
| 4 | 15 | 127041 | REB127041 | MUFFE, ABSAUG. 463/503 | | |
| 4 | 16 | 929169 | RAT32 | TUBO DI CARICO DEL TERMOPLAS.VEDI 143270 | | |
| 4 | 17 | 437041 | REB437041 | DICHTUNG 3/4 GASVERSORG. | | |
| 4 | 18 | 240016 | DEV3S16 | ZUFLUSSVENTIL 1-WEG 3/4 230V DROSS.16L | | |
| 4 | 19 | 143246 | | LEITUNG, -)ENTHARTER | | |
| 4 | 21 | 999288 | | GRUPPO VALVOLA DEVIATR.CON RIDUTTORE | | |
| 4 | 22 | 143243 | | LEITUNG, -)DVGW | | |
| 4 | 23 | 143004 | REB143004 | ROHR, DRUCKSCHALTER TP 10X17 (CASER/15NL C4N) | | |
| 4 | 24 | 117007 | | WASSERENTKAECKER | | |
| 4 | 25 | 406998 | REB406998 | SALZBEHALTER NM | | |
| 4 | 26 | 480005 | REB480005 | PFROPFEN, SALZBEHALTER | | |
| 4 | 27 | 456052 | REB456052 | O-Ring 144 | | |
| 4 | 28 | 429011 | REB429011 | GEWINDERING, SALZBEH. | | |
| 4 | 29 | 437034 | REB437034 | DICHTUNG, D68D81S3 GUMMI | | |
| 5 | 1 | 303029 | REB303029 | TROPFRING 46/50.. | | |
| 5 | 2 | 437064 | REB437064 | DICHTUNG, SAMMELLEITUNG, ZENTR.OB.50 | | |
| 5 | 3 | 143240 | | LEITUNG, H-)OB.COND. | | |
| 5 | 4 | 115131 | | WASCHLEITUNG AUSSEN CPL.E50-503 | | |
| 5 | 5 | 127036 | REB127036 | MUFFE, UNT. SPÜL.KOND. 50/f | | |
| 5 | 6 | 121139 | | FILTER | | |
| 5 | 7 | 121138 | | FILTER | | |
| 5 | 8 | 408006 | REB408006 | BESCHLAG, FÜR TANKFILTER - GRAU | | |
| 6 | 1 | 325108 | | STIFT | | |
| 6 | 2 | 129085 | | SPRÜHARM | | |
| 6 | 3 | 129089 | | NACHSPÜLARM | | |
| 6 | 15 | 993069 | | GRUPPO RISCIAQUO 50 SPR.PL(INCASTRO) | | |
| 6 | 16 | 926132 | | PFROPFEN, KUNST. FÜR NACHSPÜLARM (DWT312) | | |
| 6 | 17 | 80623 | | RING 22X9,5X1 | | |
| 6 | 18 | 80697 | | RING | | |
| 6 | 19 | 69632 | | KOERPER DES NACHSPUELARMES | | |
| 6 | 21 | 140036 | | DUESE | | |
| 6 | 22 | 80345 | | SPUELARM KOMPL. | | |
| 6 | 23 | 303032 | | DICHTUNGSRING, INOX SPÜL. X5 | | |
| 6 | 24 | 417111 | | BUCHSE, SPÜLKAMM X5 | | |
| 6 | 25 | 308031 | | GEWINDERING, SPÜL.BUCHSE X5 | | |
| 6 | 26 | 325094 | | WELLE FUER KAMMZAPFEN DES WASCHENS | | |
| 6 | 27 | 199058 | | DROSSELSCHEIBE, WASSER KUNST.E55 | | |
| 6 | 28 | 115075 | REB115075 | ZENTR.LEITUNG - UNTEN 50 (H=108) | | |
| 6 | 29 | 437014 | REB437014 | DICHTUNG, UNT.SAMMELLEITUNG S850 | | |
| 6 | 33 | 456060 | | O-Ring 2025(CGR2025) | | |
| 6 | 34 | 456019 | REB456019 | O-Ring 2037 | | |
| 6 | 35 | 80700 | | STIFT | | |
| 7 | 1 | 130109 | REB130109 | PUMPE HP 0.80 220/240-50 - 50/500 | | |
| 7 | 2 | 130119 | | PUMPE B237 HP 0.80 220/60 50 | | |
| 7 | 3 | 314001 | REB314001 | LAGER 6201/2Z | | |
| 7 | 4 | 206003 | | KONDENSATOR - 12.5 mF | | |
| 7 | 6 | 315017 | REB315017 | FLANSCH, MIT DECKEL B237 | | |
| 7 | 7 | 437049 | REB437049 | DICHTUNG, PUMPE 2277 | | |
| 7 | 8 | 141002 | REB141002 | DICHTUNG, MECH., ROTIER. D 12 | | |
| 7 | 9 | 124065 | | PUMPENFLUEGELRAD B237 FUER GESCHIRR- SPUELER | | |
| 7 | 11 | 116021 | REB116021 | PUMPENGEHAUSE, B237 | | |
| 7 | 12 | 315022 | REB315022 | FLANSCH, PUMPE LGB T-173/174 | | |
| 7 | 13 | 456031 | REB456031 | O-Ring T30-1297 D.2 | | |
| 7 | 14 | 141007 | REB141007 | DICHTUNG, MECH.D.26x13x5,5 BR. | | |
| 7 | 15 | 124031 | RAG291 | LAUFRAD, ZU 50HZ D.104 T170 | | |

| | | | | | | |
|---|----|--------|-----------|-------------------------|--|--|
| 7 | 16 | 124053 | | LAUFRAD, ZU 60HZ | | |
| 7 | 17 | 116019 | REB116019 | PUMPENGEHAUSE, 50 T-173 | | |