

cookmax+



**start!**

# Kühlung Büfett-Element, Bain-marie Wannemit, mit Untergestell

Artikel-Nr.

90651092 (9BESS3CEF0A91 / SOUL SERVICE STAND RED 3)

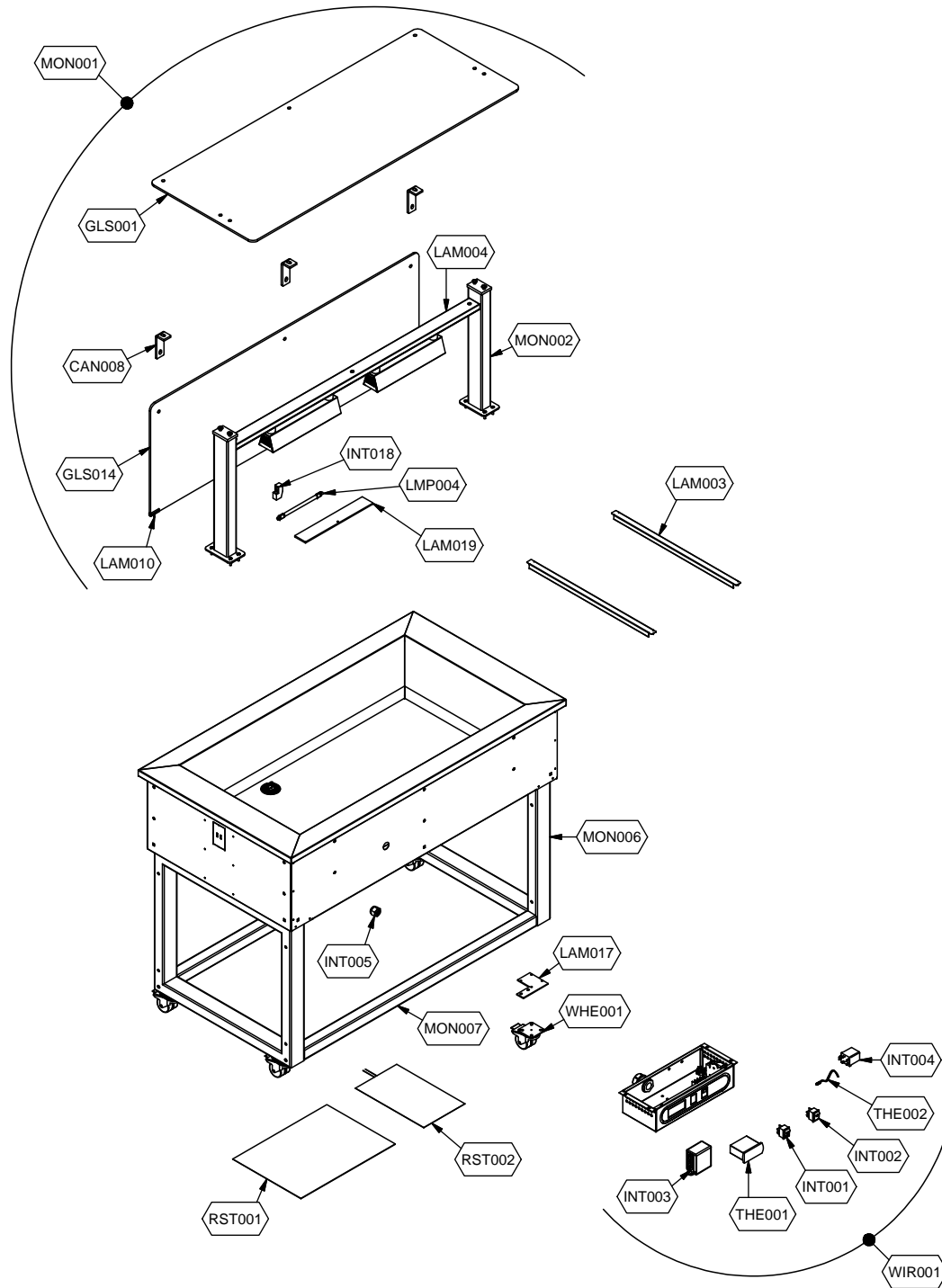
---

## Explosionszeichnung / Ersatzteile

---

Bitte bei Ersatzteilbestellung immer Artikelnummer und Seriennummer mit angeben!

|   | PARAM. | OPTIONAL |
|---|--------|----------|
| ⚡ | SCE001 | OPT      |
|   | TAR001 |          |



## Exploded View

Validity: 08/04/2016

9BESS3CEF0A91 ESSENCE 3 VASCA CALDA BM S.RISC.F NO RIV

ESP378 SERVICE-STAND RED 3-5

| Ref. Drawing | Code        | Description                              |
|--------------|-------------|--|
| CAN008       | 74702120    | FISSACRIST.SQUADRA PLEXIGLASS            |
| GLS001       | 72538782    | CAPPOT.VETRO SOVR.LIGHT 3-1 DROP-IN SPEC |
| GLS014       | 72538772    | VETRO FRONT.SOVR.LIGHT 3-1 DROP-IN SPEC  |
| INT001       | 74742008    | INT.NERO ON-OFF 16A SH JS-608FA-O-B-6    |
| INT002       | 74742017    | INTERR.ARANC.LAMP 16A B418C1H1X0000 MOLV |
| INT003       | 74700350    | CONTROLLORE DI LIVELLO GICAR DROP-IN     |
| INT004       | 75956088    | RELE FINDER 30A 65-31 230V 50-60HZ       |
| INT005       | 74700352    | SENSORE DI LIVELLO DROP-IN               |
| INT018       | 74741636    | PORTALAMPADE R7S CAVO IN SILIC. L=250MM  |
| LAM003       | 72539592    | LAM.SUPP.VASCHEFFE DROP-IN CALDI         |
| LAM004       | 72539082    | LAM.PLAFONIER.SOVRASTR.LIGHT 3-1 DROP-IN |
| LAM010       | 72557114    | LAM.SUP.VETRO FRONT.\LATER. VRX TT       |
| LAM017       | 72539674    | LAM.UNIONE GAMBA+TRAVERSO DROP-IN        |
| LAM019       | 74770972    | CR.PROTEZ.LAMPADA HOT DROP-IN            |
| LMP004       | 74751011    | LAMP.HALOTHERM ITT 200/235-0170 R7S 200W |
| MON001       | 73669452    | ASS.SOVRAST.+FRONT.HOT LIGHT DROP-IN 3-1 |
| MON002       | 72539070    | MONTANTE SOVRASTRUTTURA LIGHT DROP-IN    |
| MON006       | 72539680    | TELAIO GAMBA DROP-IN                     |
| MON007       | 72539692    | TRAVERSO TELAIIO GAMBA 3/1 DROP-IN       |
| RST001       | 70259090    | RES.ADES.SIL.470*290 1000W+TERM.DROP-IN  |
| RST002       | 70259092    | RES.ADES.SIL.175*290 500W+TERM.DROP-IN   |
| SCE001       | SC852       | SCHEMA ELETTRICO ESSENCE HOT             |
| TAR001       | RIF.TAR.B04 | PARAMETRI DROPIN & BUFFET RED            |
| THE001       | 74700897    | CENTRALINA EASY CAREL 130°C PJEZS2P000   |
| THE002       | 74700899    | SONDA NTC 50K HT 130°C NTC030HT00        |
| WHE001       | 74708011    | RUOTA GEMELLATA DIAM. 50MM POLIAMMIDE    |
| WIR001       | 73669840    | ASS.Q.E BUFFET ESSENCE HOT BM            |