



Flockeneisbereiter, Splitgerät, 1000 kg/24 h, ohne Speicher

Artikel-Nr.
711078 (G1000SPLIT)

Explosionszeichnung / Ersatzteile

Bitte bei Ersatzteilbestellung immer Artikelnummer und
Seriennummer mit angeben!



LIST OF THE EXPLODED VIEWS

2° version - from s/n. 659125



SHELL ASSY

COOLING SYSTEM

EVAPORATOR

HYDRAULIC CIRCUIT

ELECTRIC PARTS

1° version - till s/n. 659124



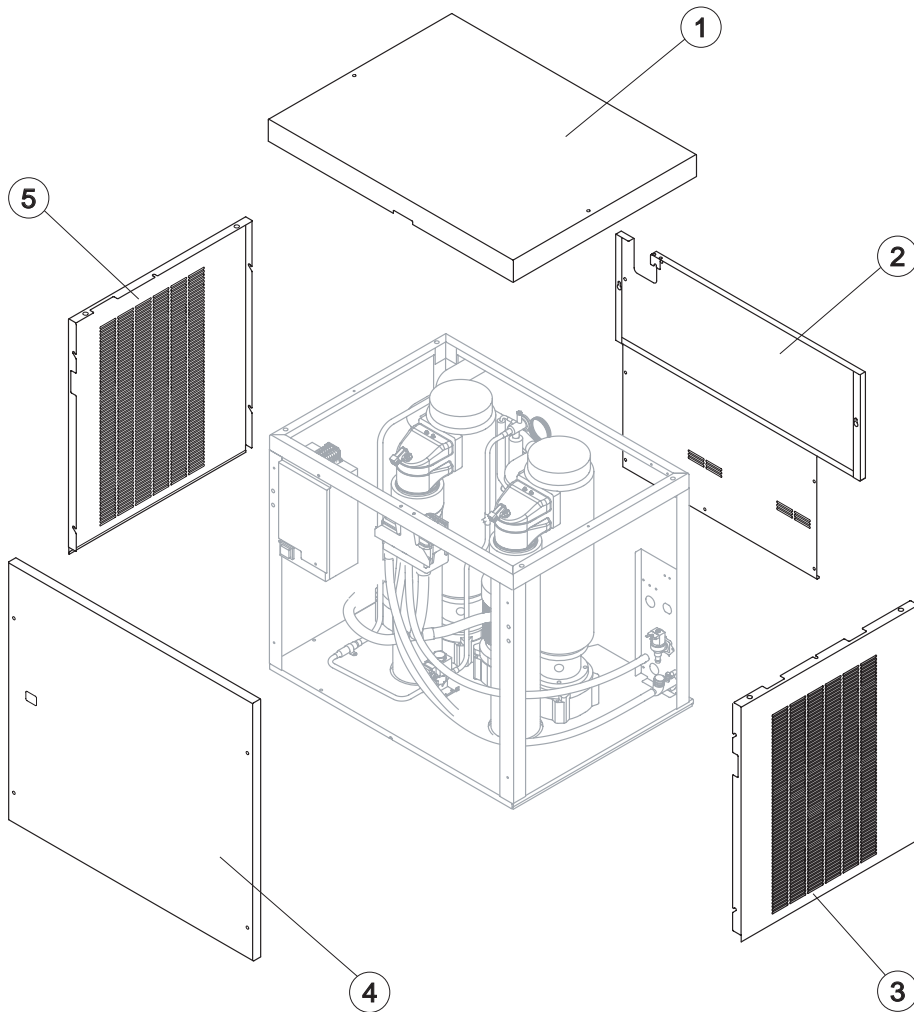
SHELL ASSY

COOLING SYSTEM

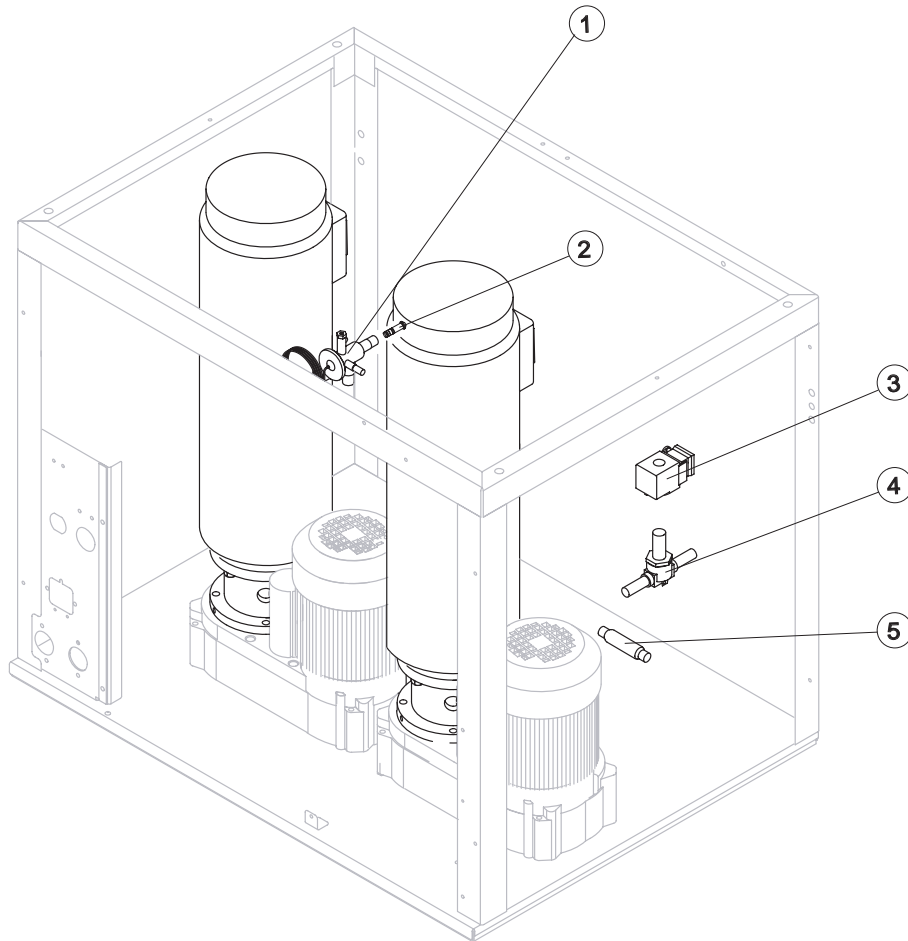
HYDRAULIC CIRCUIT

ELECTRIC PARTS

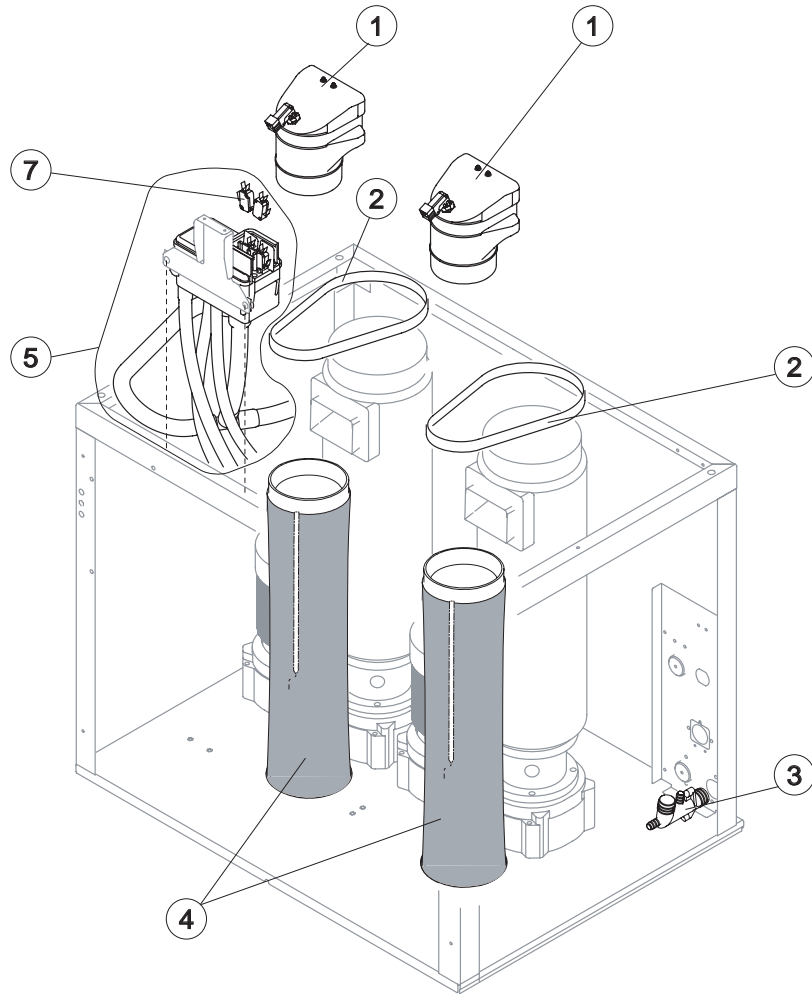
Rev. 11 - 02/03/2018



Ref.	Spare Description	Code
1	Top	221273
2	Back Panel	21416
3	Right Side Panel	221228
4	Front Panel	221575
5	Left Side Panel	221229



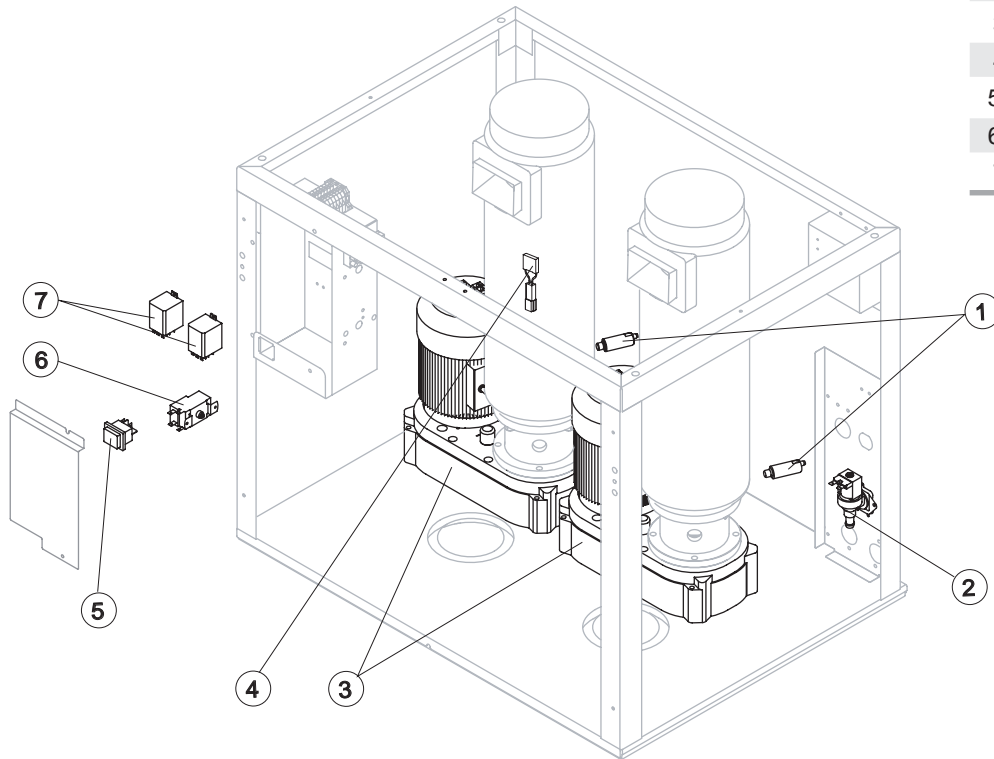
Ref.	Spare Description	Code
1	Expansion Valve	20826
2	Orifice	20943
3	Solenoid Valve Coil	231294
4	Solenoid Valve Body	20409
5	Filter	14709

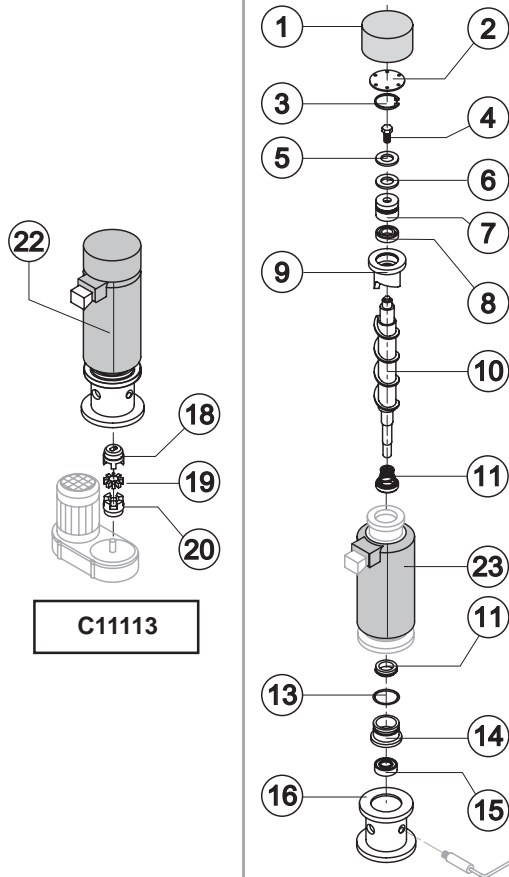


Ref.	Spare Description	Code
1*	Ice Exhaust Assy with Micr	C10585
2	Locking Exhaust Strip	25049
3	Discharge Manifold	10580
4	Ice Outlet Pipe with Bin bulb holder	C10657
5*	Double Switch Basin Assembly	C26769
7	Microswitch	23055

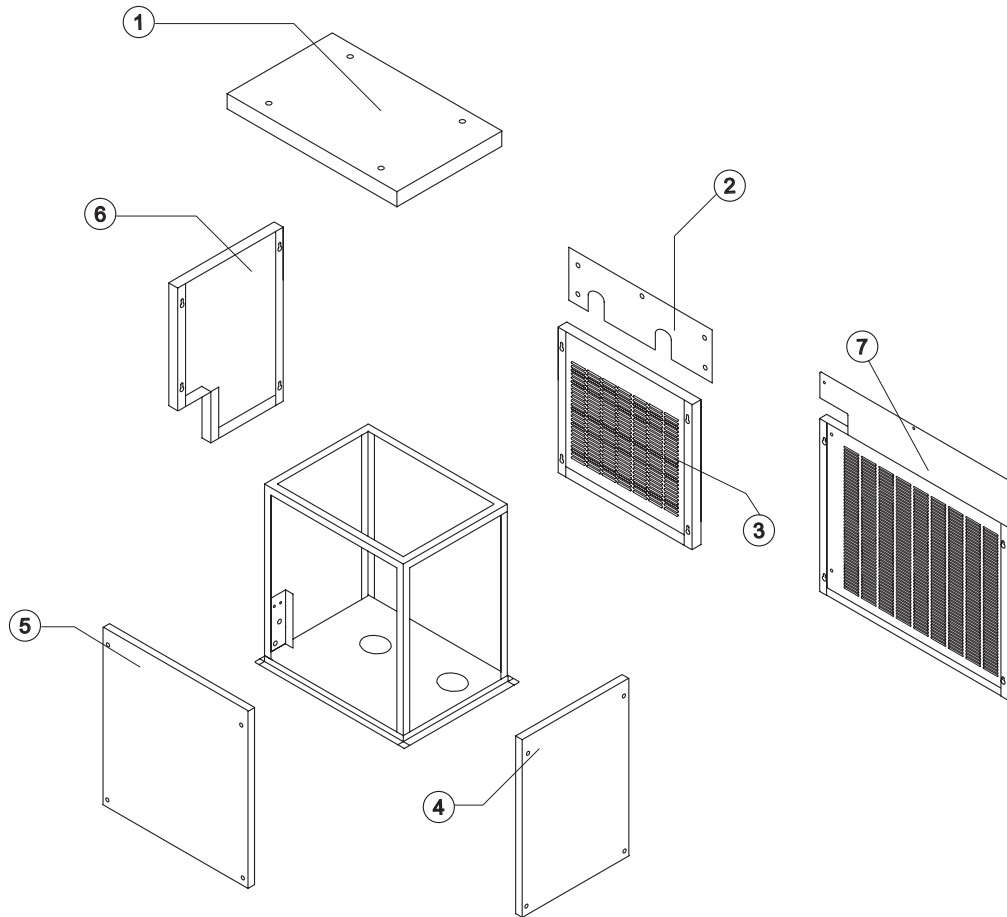


Ref.	Spare Description	Code
1	Rotation Sensor	R231028
2*	1 Way- Water Inlet Valve	23001
3	Gearmotor	23638
4	Anti Radio Interference Filte	C23457
5*	Green Light Switch (On-Off)	23327
6*	Bin Thermostat	R231035
7	Relay	23190

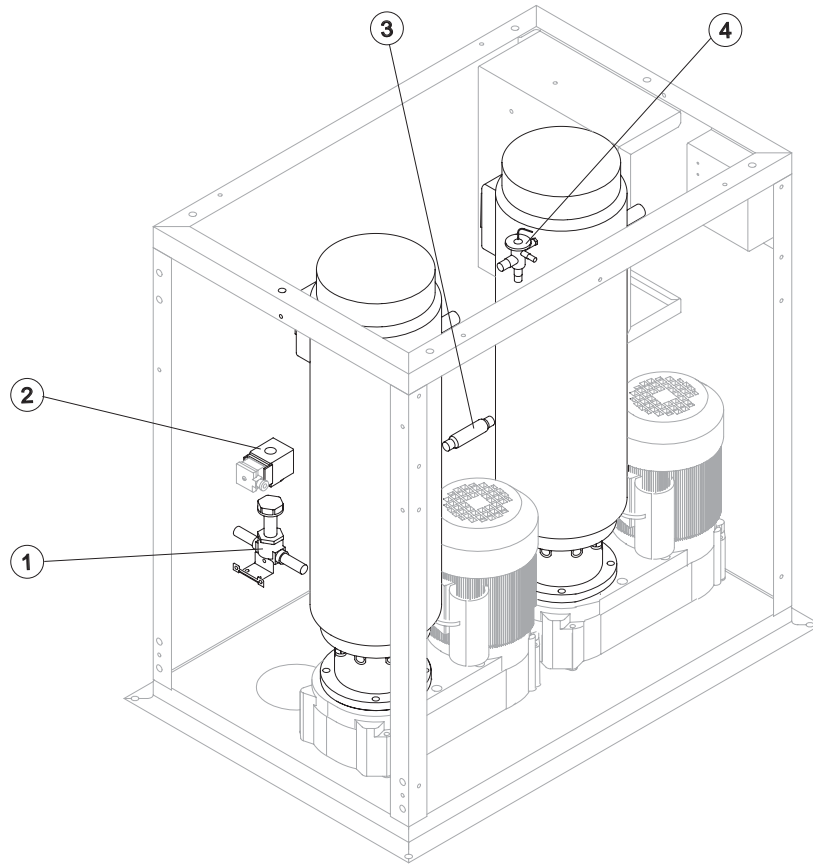




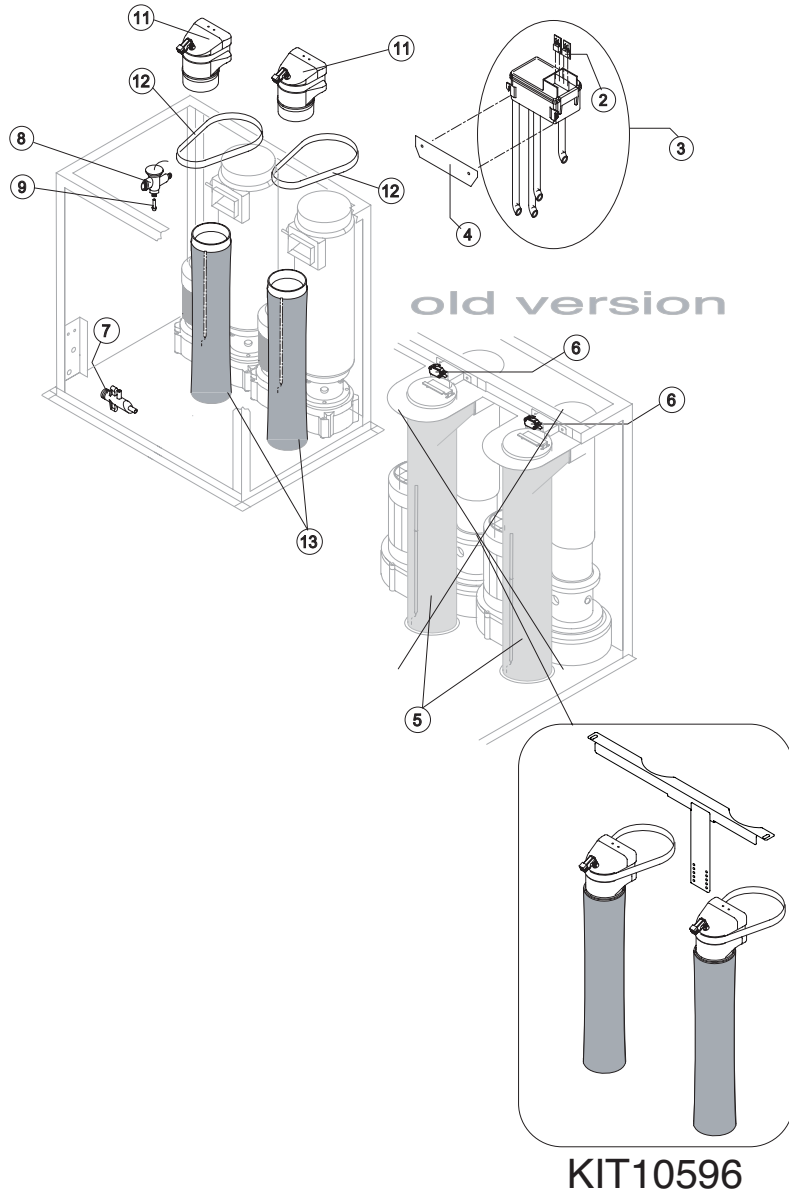
Ref.	Spare Description	Code
1	Insulating Cap	18165
2	Closing Disk	22670
3	Seeger	20116
4	Stainless Steel Screw	20664
5	Shimming Disk	22829
6	Self-Lubricating Disk	20639
7	Stainless Steel Thrust Bearing	20685
8	OR Gasket 4137	20689
9	Ice Breaker	201231
10	Auger	20780
11	Ceramic seal	20643
13	OR Gasket 4312 NBR	20205
14	Reduction Ring	20647
15	Stainless Steel Bearing	20113
16	Flange	20644
18	Semi-Joint Upper	D20642
19	Vibration-Damping Elastomer	20494
20	Semi-Joint Lower	D20493
22	Evaporator Assy	C11113
23	Insulating Cap	18181



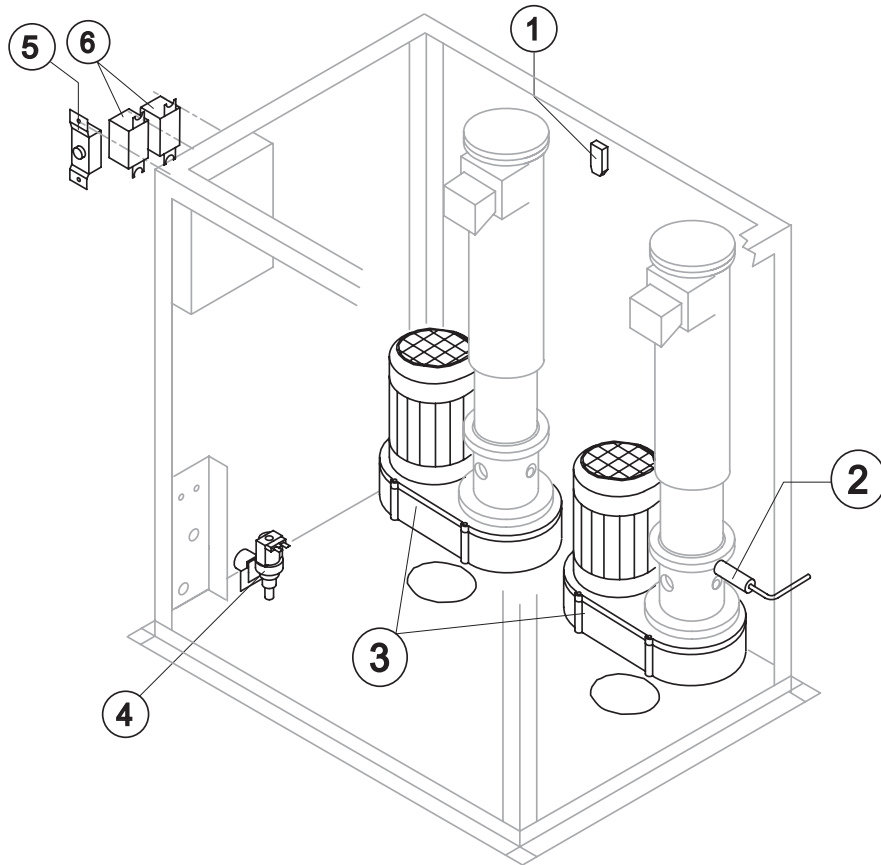
Ref.	Spare Description	Code
1	Top	22935
2	Upper Right Side Panel	Till s/n. 626619 22934
3	Lower Right Side Panel	Till s/n. 626619 22936
4	Front Panel Assy	22937
5	Left Side Panel	22933
6	Rear Panel	22938
7	Right Side Panel	Current Version 221219



Rif.	Descrizione Ricambio	Codice
1	Solenoid Valve Body	From Matr. 626620 20409
2	Solenoid Valve Coil	From Matr. 626620 231294
3	Filter	From Matr. 626620 14709
4	Expansion valve	From Matr. 626620 20970



Ref.	Spare Description	Code
2	Microswitch	23055
3*	Double Switch Basin Assembly	C26769
4	Basin Support Plate	21133
5	Complete Ice Outlet Pipe Assy	Till s/n. 498591 KIT10596
6	Bin Level Control Microswitch	Till s/n. 498591 23930
7	Discharge Manifold	10580
8	Expansion Valve	From s/n. 340851 20734
9	Orifice	Current Version 20943
9	Orifice	From s/n. 340851 till s/n. 471184 20797
11*	Ice Exhaust Assy with Micro	Current Version C10585
12	Locking Exhaust Strip	Current Version 25049
13	Ice Outlet Pipe with Bin bulb holder	Current Version C10657
13	Ice Outlet Pipe with Bin bulb holder	Till s/n. 603755 K10588



Ref.	Spare Description	Code
1	Anti Radio Interference Filter	C23457
2*	Rotation Sensor	R231028
3	Gearmotor	See Table -
4*	1 Way- Water Inlet Valve	23001
5*	Bin Thermostat	Current Version R231035
5*	Bin Thermostat	Till s/n. 603755 R23421
6*	Relay	23190

Ref. 3 - Gearmotor

Voltage	Code
T11	23638
T12	23638
T18	23853