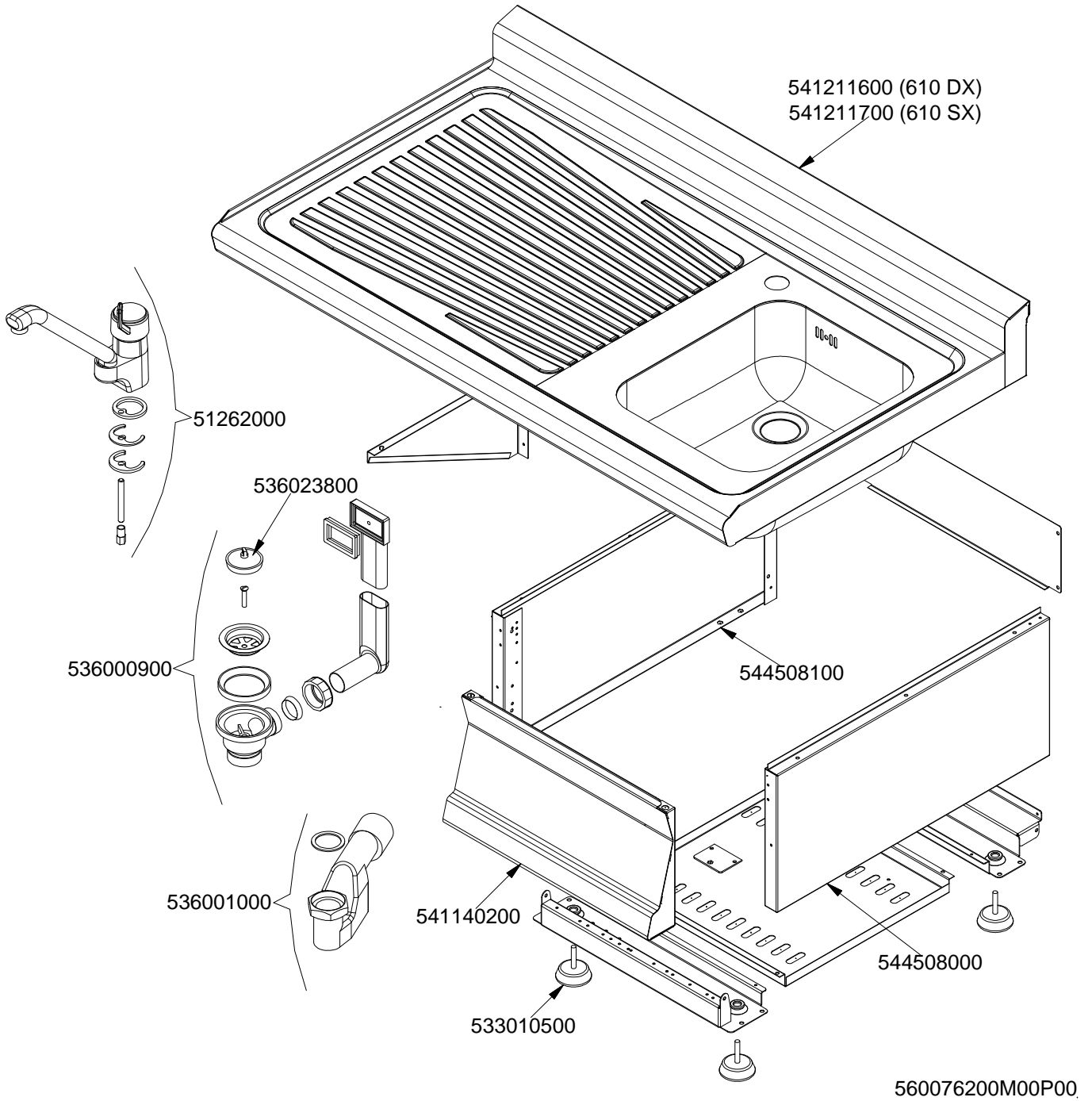


**MAGICLOTUS 60**  
NEUTRO / NEUTRAL ELEMENTS / NEUTRALE ELEMENTE / ELEMENTES NEUTRES

**LAT-610DX LAT-610SX**



| <b>Page</b> | <b>Pos</b> | <b>Code</b> | <b>Description</b>                |
|-------------|------------|-------------|-----------------------------------|
| 001         |            | 541211600   | UPPER PLATE FOR LAT-610DX         |
| 001         |            | 51262000    | GD LEVAR TAP FOR SINK             |
| 001         |            | 544508100   |                                   |
| 001         |            | 536023800   | DRAIN CAP 1"1/2                   |
| 001         |            | 536000900   | UPPER DRAIN FOR SINK              |
| 001         |            | 536001000   | DRAIN FOR SINK                    |
| 001         |            | 541140200   | CONTROL PANEL S70/90 LA-74 LAT-74 |
| 001         |            | 544508000   |                                   |
| 001         |            | 533010500   | LEG M10*25 D.40                   |