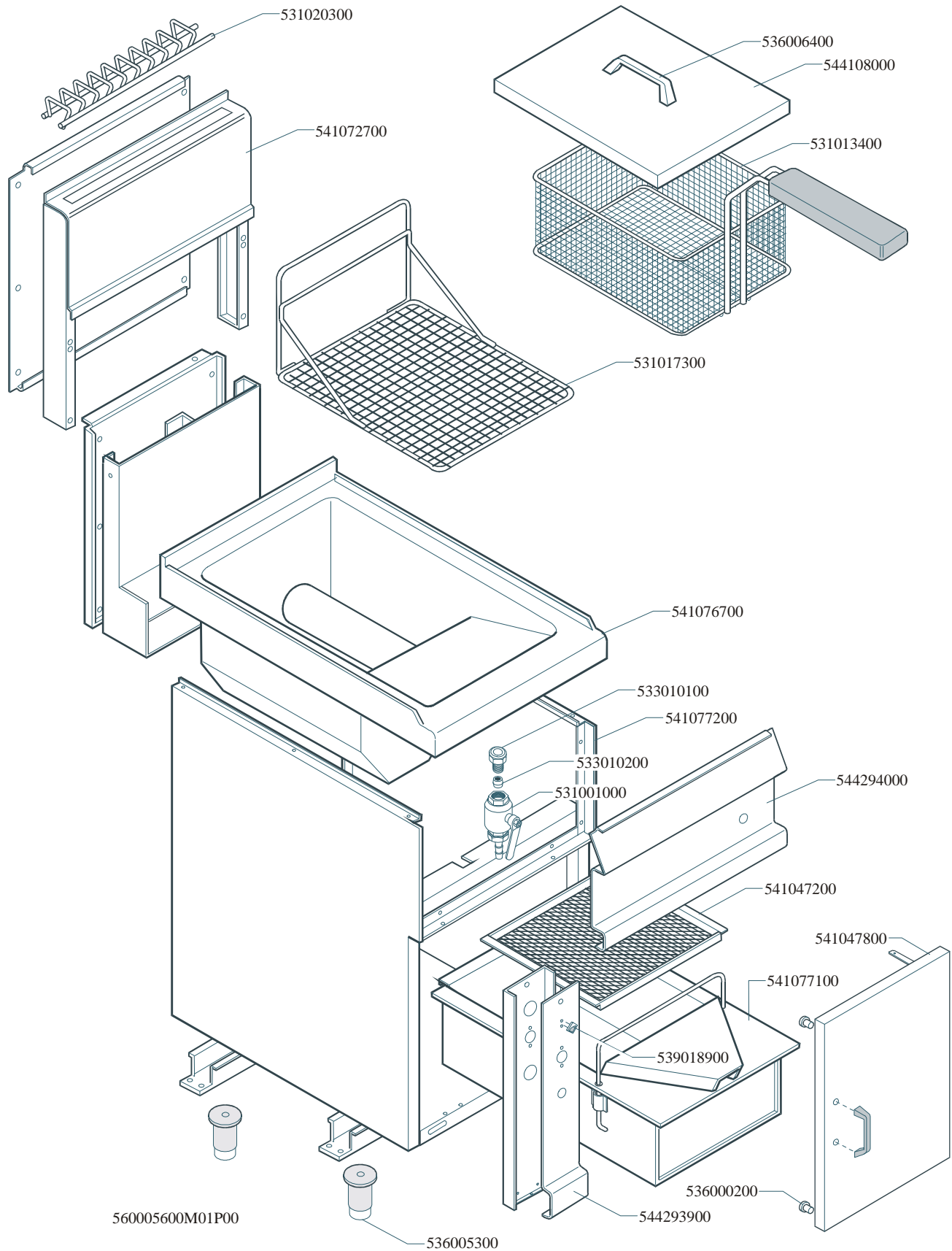


MAGIC PROF 65
GAS / GAS / GAS / GAZ

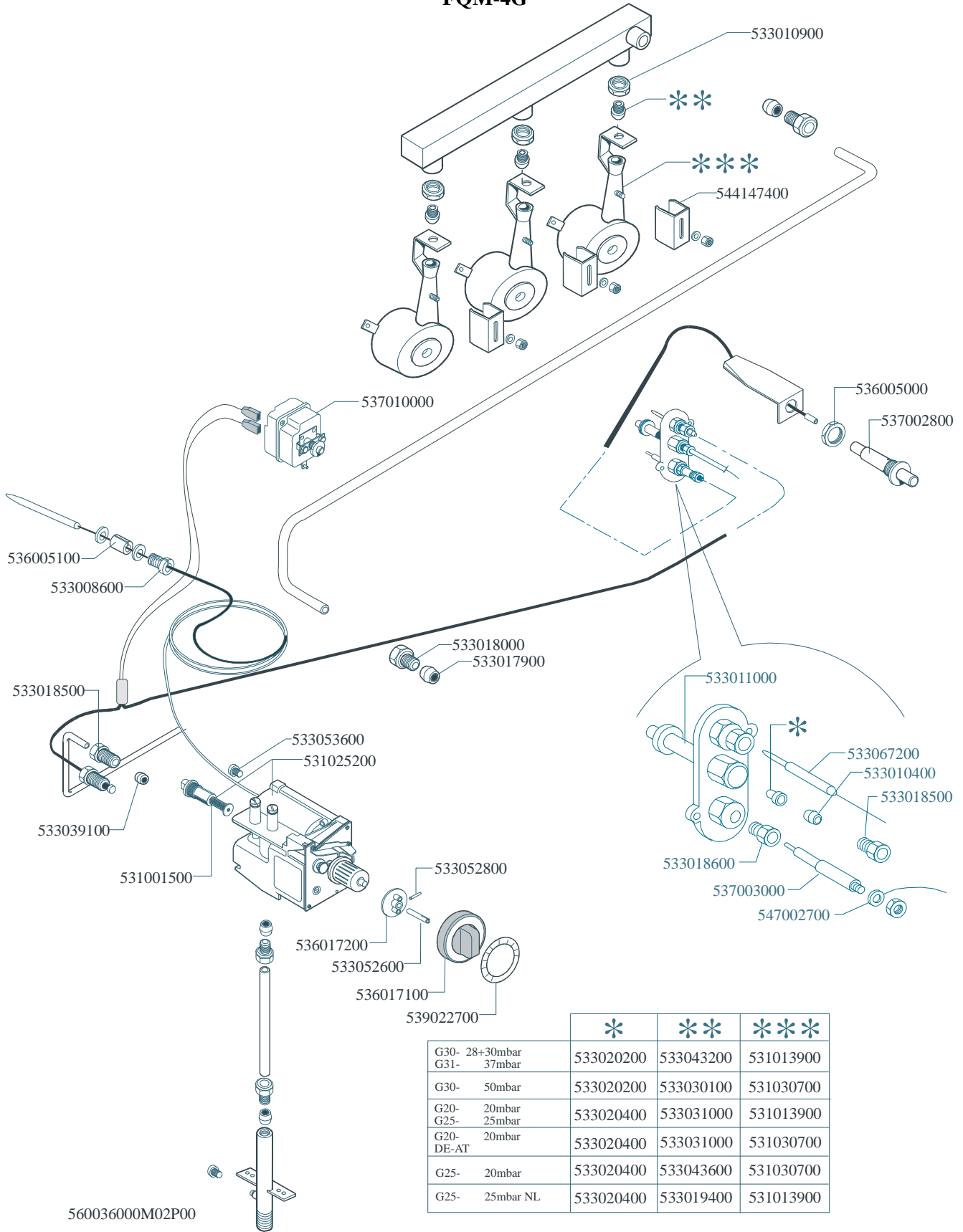
FQM-4G



MAGIC PROF 65

GAS / GAS / GAS / GAZ

FQM-4G



Page	Pos	Code	Description
001		531020300	FLUE GRID 400"S65"
001		536006400	BLACK HANDLE 65/FE/FG
001		544108000	TANK LID FMG-15-2/15 FQM-4G
001		544293900	CONTROL PANEL FQM-4G
001		541072700	PERFORATED SPACER 4
001		531013400	FRYER BASKET 15LTS.GAS/ELECTRIC
001		531017300	TANK FILTER/BASKET SUPPORT FMG15/18
001		536000200	D.12 H.4 BUMPER
001		541076700	UPPER PLATE FQM-4G
001		539018900	INDEX FOR KNOB
001		533010100	3/4 D. 18 PIPE UNION
001		541077200	FRAME FQM-4G
001		536005300	PLASTIC LED 2"
001		533010200	BICONE 18S
001		544294000	UPPER NEUTRAL CONTROL PANEL FQM-4G
001		531001000	DRAIN COCK 3/4" + HANDLE
001		541047200	FILTER FOR DRIP TRAY
001		541047800	RIGHT DOOR 30
001		541077100	FILTER FOR DRIP TRAY 23L
002		533010900	NUT M14*1 H.4
002		544147400	AIR ADJUSTMENT BUSHING FMG-FQ
002		536005000	NUT M18 FOR PIEZOELECTRIC IGNITION
002		537010000	SAFETY THERMOSTAT 220°C SINGLEPHASE
002		537002800	PIEZOELECTRIC IGNITION M18
002		536005100	GRAPHITE §07,4 GASKET
002		533008600	STUFFING BOX M9*1
002		533018000	ELBOW FOR BICONE D.12 3/8 RS L20
002		533017900	BICONE D.12
002		533011000	PILOT BURNER 3 FLAMES 320
002		533018500	FITTING FOR BICONE D.6 M10*1
002		533053600	EUROSIT VALVE PLUG
002		531025200	EUROSIT VALVE FQ 110-190°C
002		533010400	BICONE D.6
002		533067200	THERMOCOUPLE 220+500 M9*1 CUT-OFF
002		533039100	BICONE §6
002		533052800	ELASTIC PEG §2,5*26
002		531001500	MAGNET FOR EUROSIT VALVE
002		537003000	PLUG M4 - LONG ELECTRODE
002		547002700	HIGH-VOLTAGE CABLE L=500
002		533018600	PLUG FITTING
002		536017200	MATCHER REMOTE CONTROL EUROSIT
002		533052600	PIN FOR KNOB 65LINE
002		536017100	BLACK KNOB §70 PIN §8*6,5
002		539022700	ADHESIVE GRADUATED DISC FOR KNOB
002		533020200	PILOT JETS 0160 FOR LPG §30
002		533043200	NOZZLE §110 G30 (LPG) CH12X14
002		531013900	BURNER FMG-10/15
002		533030100	NOZZLE §95 CH12*14 G-FP
002		531030700	BURNER "S" FMG-10/15
002		533020400	NOZZLE 0160 (NATURAL GAS) 51
002		533031000	NOZZLE §175 CH12X14

Page	Pos	Code	Description
002		533043600	NOZZLE \$200 CH12*14 L-PC4 UR
002		533019400	NOZZLE \$180 CH12*14 L-FQ5