

# **CM650R Parts List**

## **Table of Contents**

**Cabinet Exterior**

**Cabinet Interior**

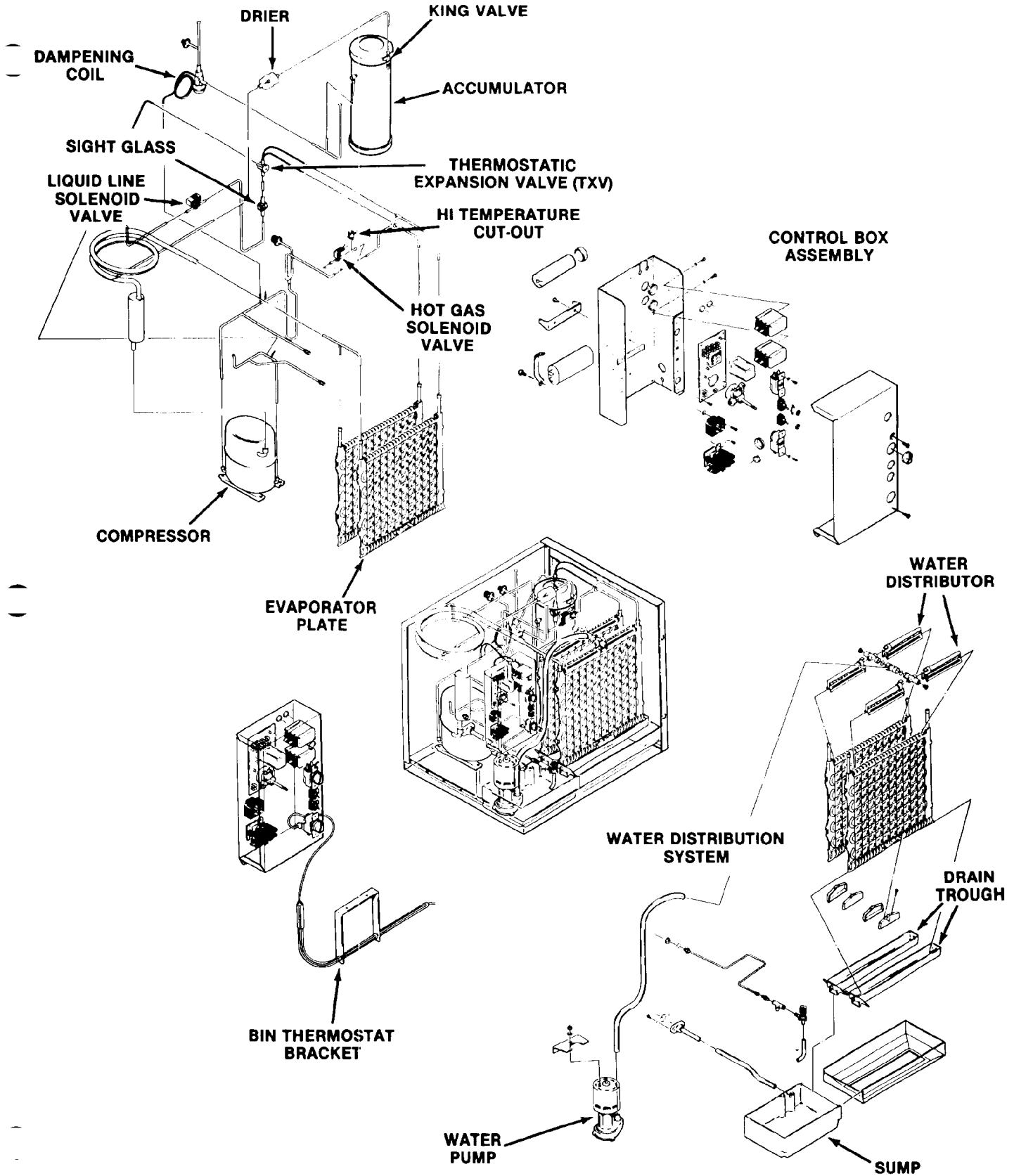
**Refrigeration**

**Water System**

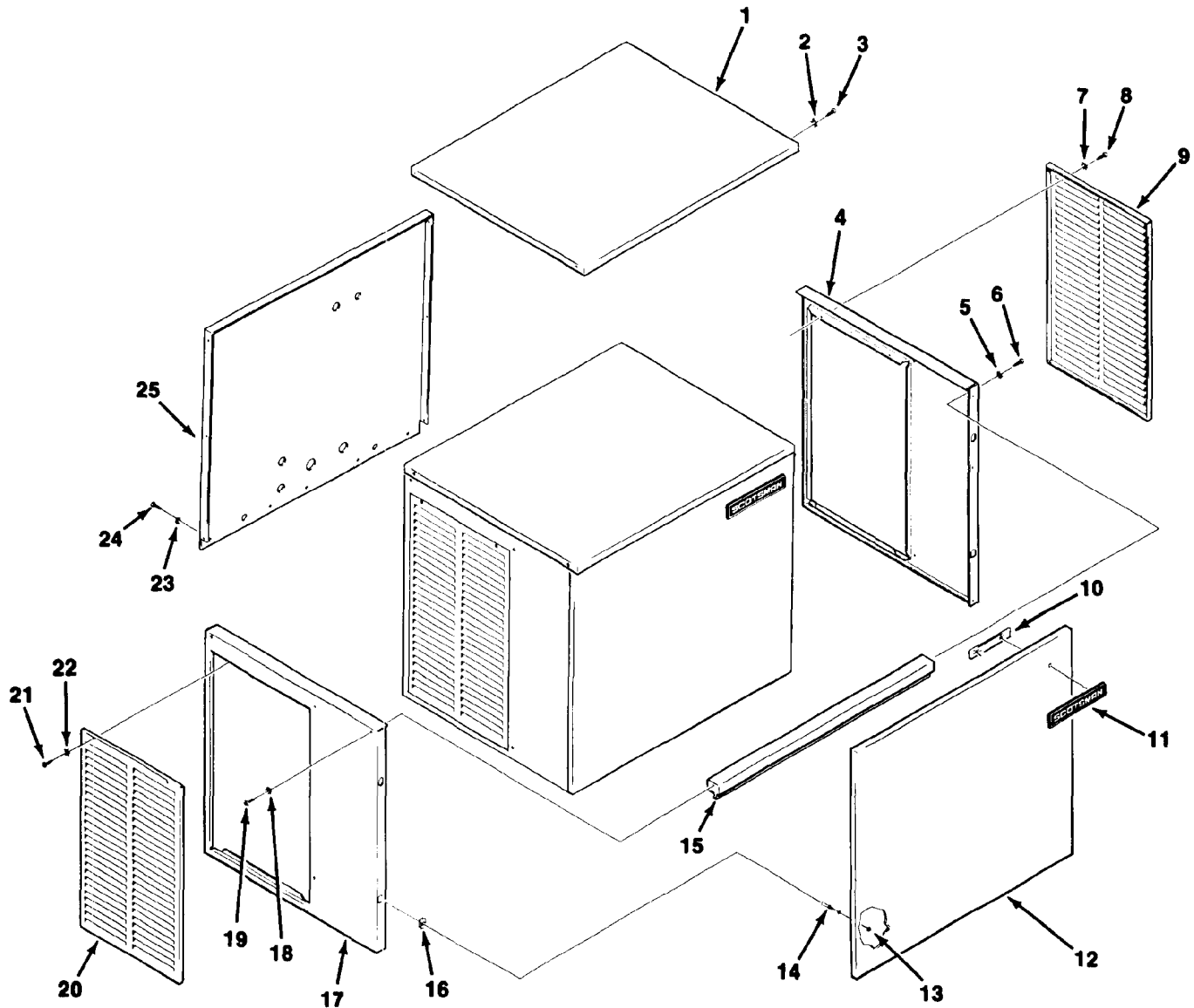
**Control Box**

**Wiring Diagrams**

# CM650R THE PARTS ILLUSTRATIONS AND PARTS LISTS



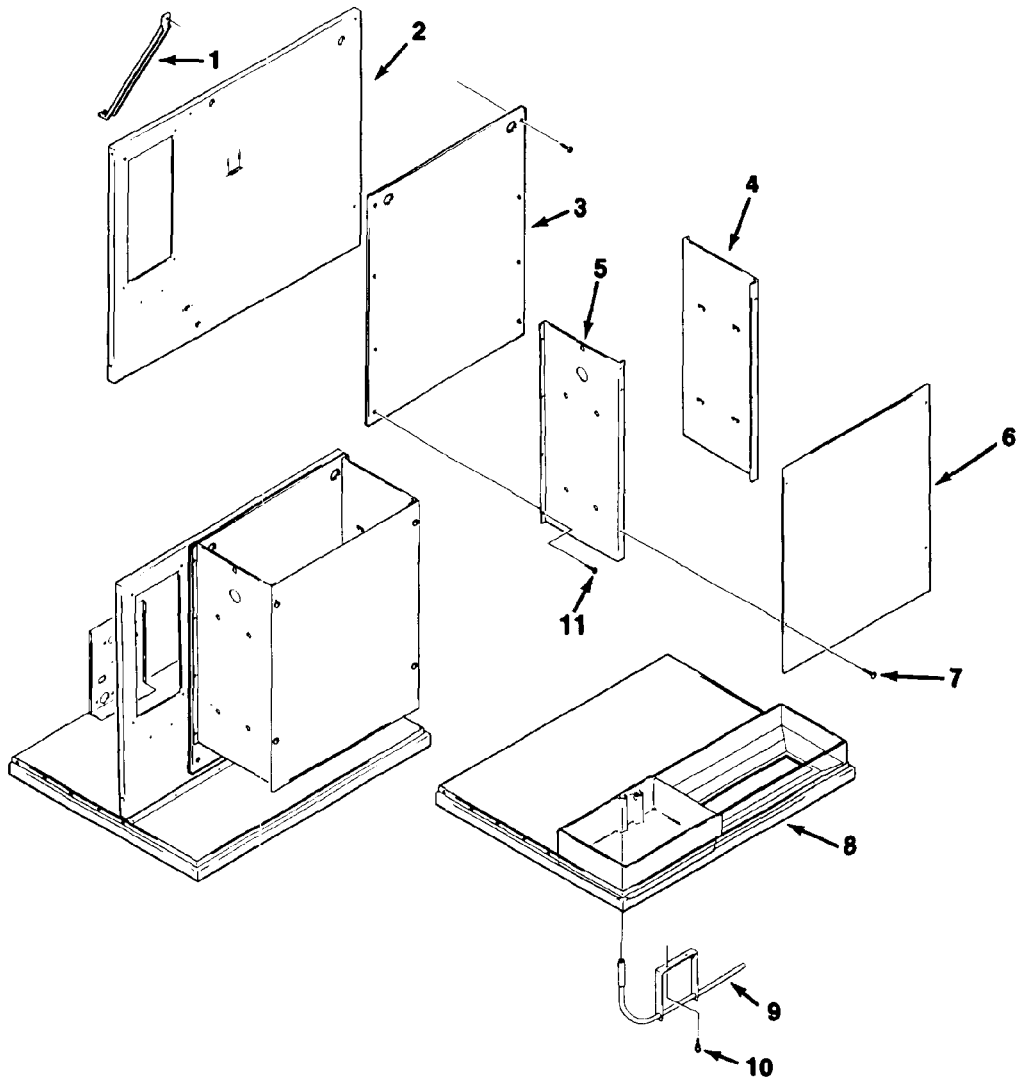
# CM650R THE PARTS ILLUSTRATIONS AND PARTS LISTS



## CABINET ASSEMBLY (PART I)

ITEM NUMBER	PART NUMBER		DESCRIPTION	ITEM NUMBER	PART NUMBER		DESCRIPTION
	"A" & "C"	"D"			"A" & "C"	"D"	
1	A31084-001	A32159-001	Top Panel, Enamel	13	03-1406-04	Same	Nut, #8-32
2	A31084-002	A32159-002	Top Panel, Stainless Steel	14	15-0411-00	Same	Strike
3	03-1417-03	Same	Lockwasher	15	No Number	A32169-001	Front Support
4	A31086-001	A32162-001	End Panel (Right), Enamel	16	02-0836-00	Same	Cabinet Catch
	A31086-002	A32162-002	End Panel (Right), Stainless Steel	17	A31085-001	A32163-001	End Panel (Left), Enamel
5	03-1417-03	Same	Lockwasher		A31085-002	A32163-002	End Panel (Left), Stainless Steel
6	03-1531-01	Same	Screw	18	03-1417-03	Same	Lockwasher
7	03-1417-03	Same	Lockwasher	19	03-1531-01	Same	Screw
8	03-1404-12	Same	Screw, #8-32	20	A31242-001	A32161-001	Service Panel, Enamel
9	A31242-001	A32161-001	Service Panel, Enamel		A31242-002	A32161-002	Service Panel, Stainless Steel
	A31242-002	A32161-002	Service Panel, Stainless Steel	21	03-1404-12	Same	Screw, #8-32
10	03-0271-00	Same	Speed Nut	22	03-1412-03	Same	Lockwasher
11	15-0711-00	Same	Emblem	23	03-1417-03	Same	Lockwasher
12	A30900-001	A32160-001	Front Panel, Enamel	24	03-1531-01	Same	Screw
	A30900-002	A32160-002	Front Panel, Stainless Steel	25	A31048-001	A32202-001	Back Panel, F.A.

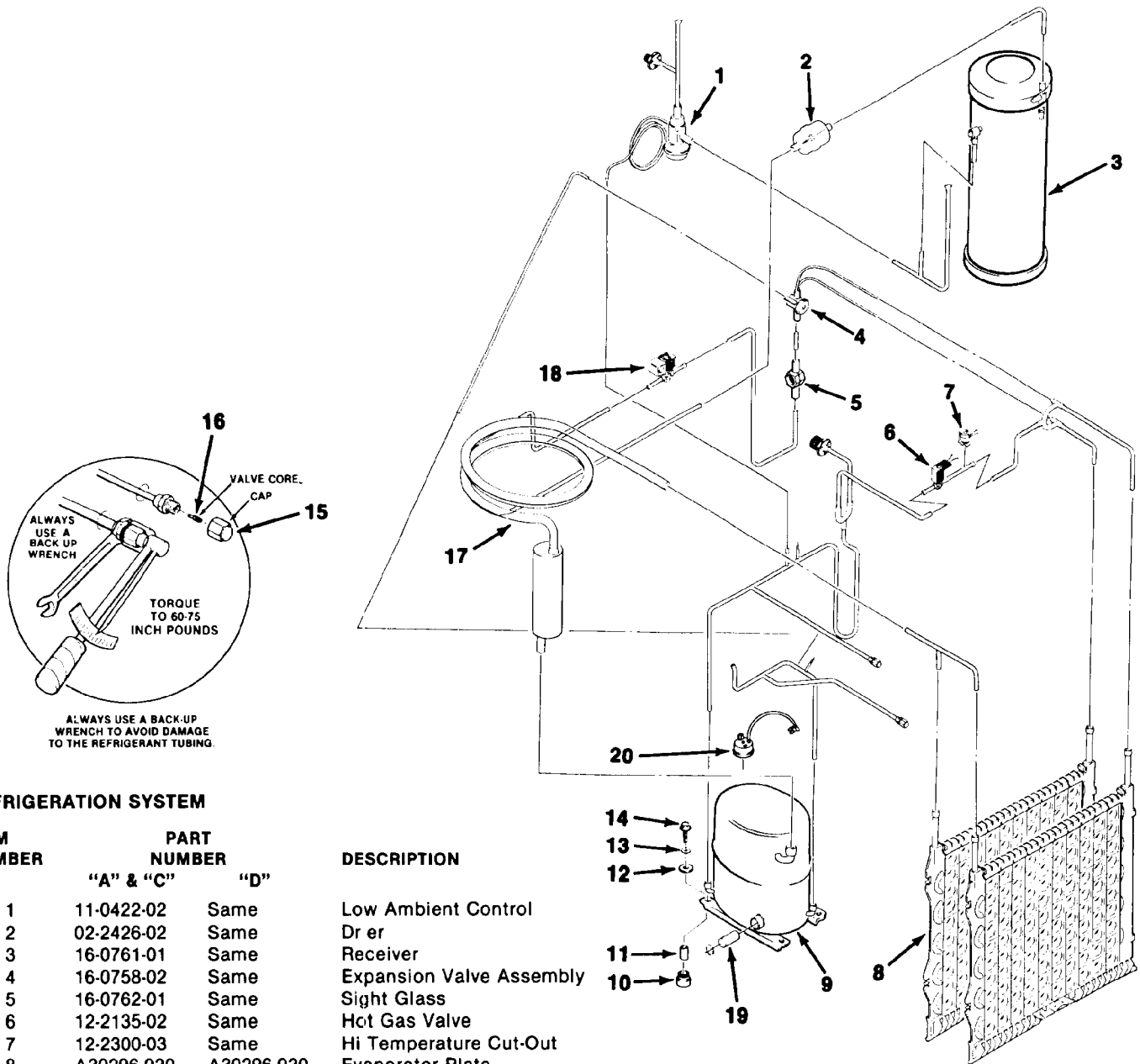
# CM650R THE PARTS ILLUSTRATIONS AND PARTS LISTS



## CABINET ASSEMBLY (PART II)

ITEM NUMBER	PART NUMBER		DESCRIPTION
	"A" & "C"	"D"	
1	A30906-001	A32210-001	Support Brace
2	A31151-002	A32158-001	Retainer F.A.
3	02-2810-01	02-2867-01	Splash Panel
4	A31080-001	A32172-001	Evaporator Bracket (Right)
5	A31082-001	A32173-001	Evaporator Bracket (Left)
6	A30897-001	A32165-001	Evaporator Plate Cover
7	03-0727-05	Same	Thumbscrew
8	A31217-001	A32153-001	Base
9	A31099-001	A32262-001	Bin Thermostat Bracket
10	03-0727-05	03-0727-09	Thumbscrew
11		03-1531-002	Screw

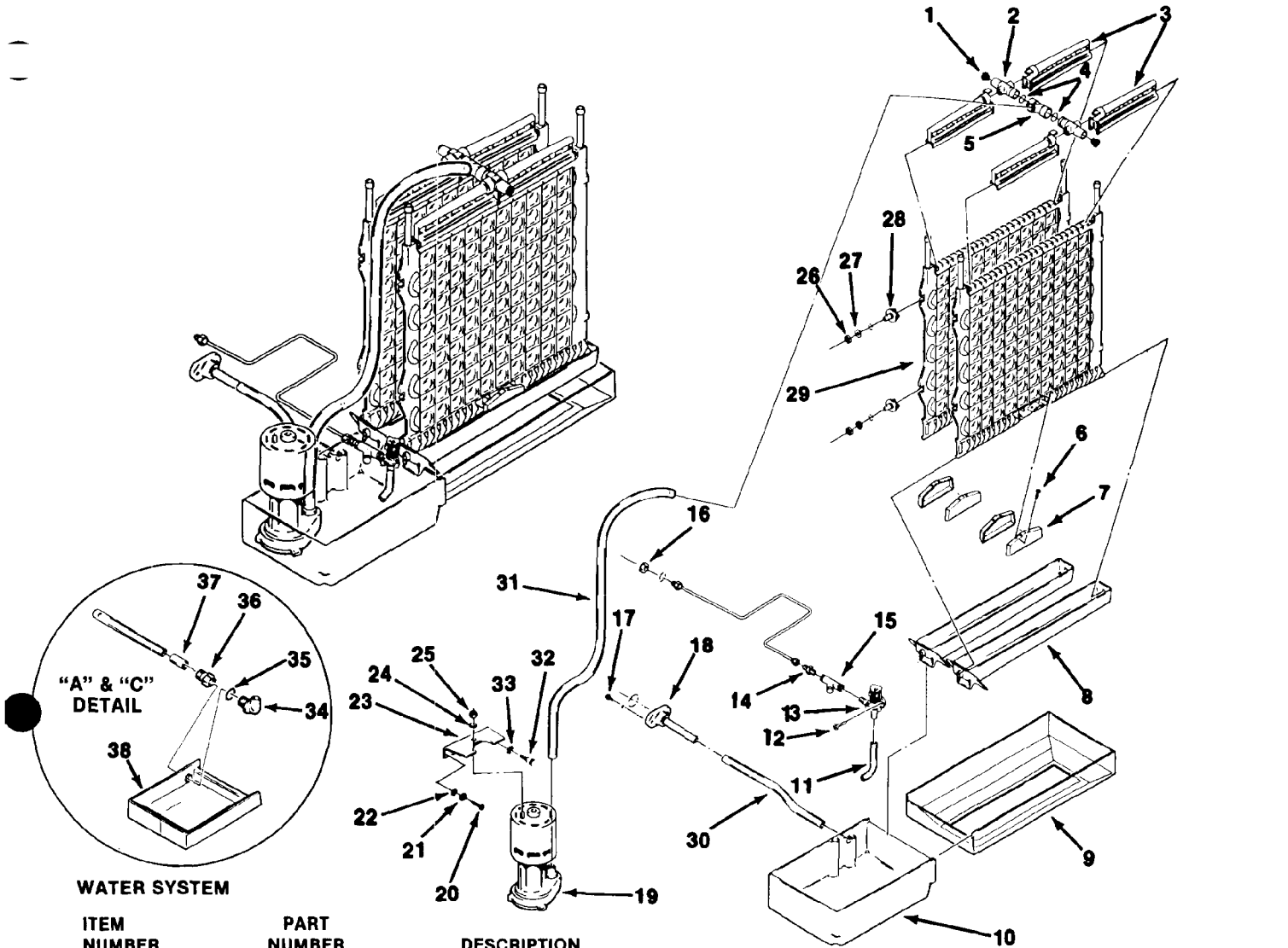
# CM650R THE PARTS ILLUSTRATIONS AND PARTS LISTS



## REFRIGERATION SYSTEM

ITEM NUMBER	PART NUMBER		DESCRIPTION
	"A" & "C"	"D"	
1	11-0422-02	Same	Low Ambient Control
2	02-2426-02	Same	Driver
3	16-0761-01	Same	Receiver
4	16-0758-02	Same	Expansion Valve Assembly
5	16-0762-01	Same	Sight Glass
6	12-2135-02	Same	Hot Gas Valve
7	12-2300-03	Same	Hi Temperature Cut-Out
8	A30296-020	A30296-020	Evaporator Plate
9	18-5600-02	Same	Compressor (208-230/60/1)
	18-5800-03	Same	Compressor (208-230/60/3)
10	18-2200-28	Same	Mounting Grommet
11	18-2200-27	Same	Sleeve
12	03-1407-07	Same	Washer, 5/16
13	03-1417-12	Same	Washer
14	03-1405-20	Same	Screw, 5/16-18
15	16-0563-00	Same	Valve Cap
16	16-0560-00	Same	Valve Core
17	A31132-020	A32305-020	Heat Exchanger
18	12-2274-01	12-2274-01	Liquid Line Solenoid (CM650R)
19	12-1868-02	Same	Crankcase Heater (CM650R) 32D
	Same	12-1868-03	Crankcase Heater (CM650R) 3D
20	18-5600-51	Same	Overload for 18-5600-02 Compressor

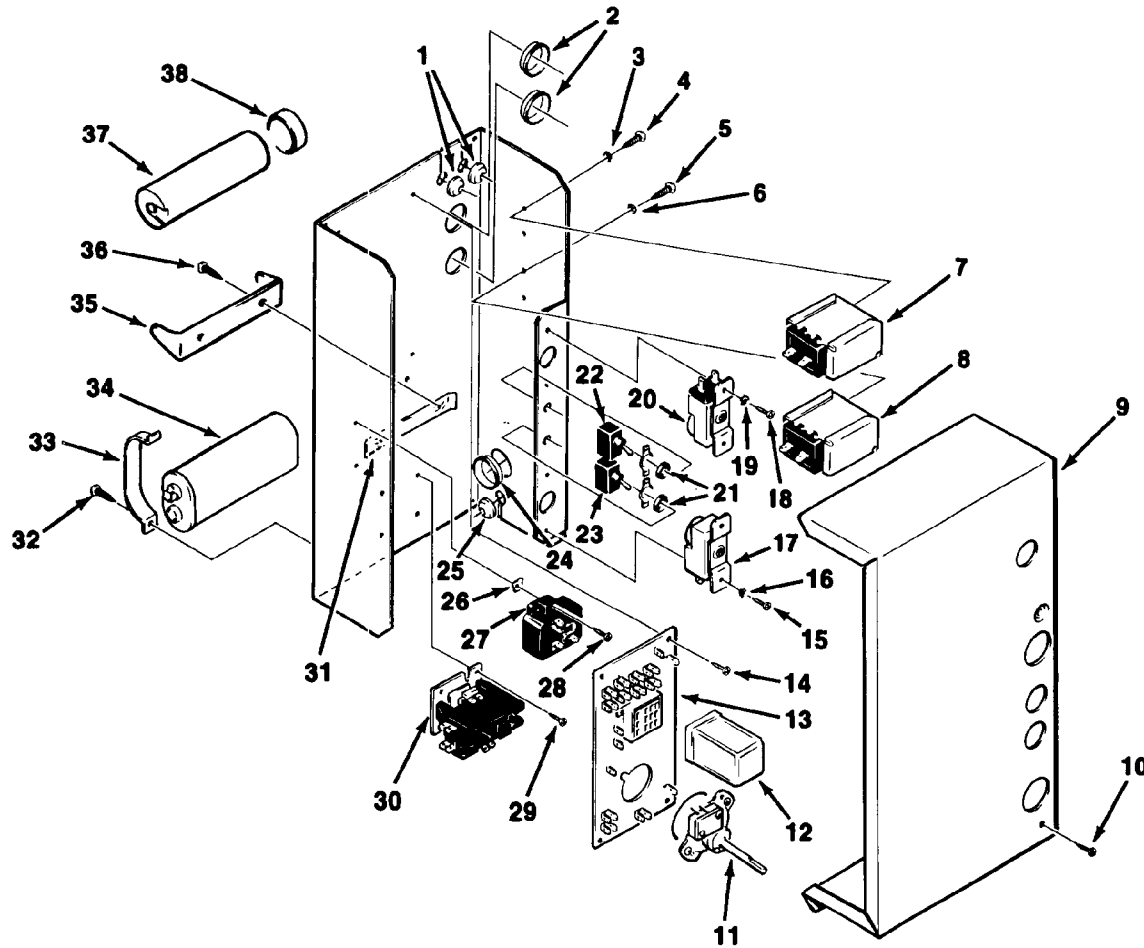
# CM650R THE PARTS ILLUSTRATIONS AND PARTS LISTS



**WATER SYSTEM**

ITEM NUMBER	PART NUMBER		DESCRIPTION	PART NUMBER		DESCRIPTION	
	"A" & "C"	"D"		"A"	"C"		
1	13-0840-01	Same	Manifold Hole Plug	21	03-1407-03	Washer	
2	A29703-001	Same	Manifold Water Tube	22	03-1408-31	Washer	
3	02-2527-01	Same	Water Distributor Tube	23	A30914-001	Pump Mounting Bracket	
4	13-0617-48	Same	O-Ring (2)	24	03-1417-03	Lockwasher, #10	
5	02-2519-01	Same	Plastic Tee	25	03-1406-03	Nut, #10-32	
6	03-1404-10	Same	Screw, #8 x 1/2" S.S.	26	03-1394-03	Pal Nut	
7	02-2878-01	Same	Sump End Cover	27	03-1408-34	Special Washer	
8	02-2801-01	02-2868-01	Drain Trough	28	02-2642-01	Same	
9	No Number	No Number	Cube Chute	29	A30296-020	Same	
10		02-2869-01	Sump	30	No Number	13-0674-07	Drain Hose, 8"
11	A30918-001	Same	Sump Inlet Tube	31	13-0674-07	Same	Water Hose, 33"
12	03-1531-01	Same	Screw, #8-32	32	03-0727-45	03-0727-09	Thumbscrew
13	12-2261-03	12-2313-03	Solenoid Valve Assembly	33	03-1417-03	Same	Lockwasher
14		16-0791-01	Half Union Coupling	<b>"A" &amp; "C" DETAIL</b>			
15		16-0162-00	Strainer	34	A30917-001	A30917-002	Stand Pipe
16	03-1394-01	Same	Pal Nut	35	13-0617-02	Same	O-Ring
17	03-1405-03	03-1645-01	Screw	36	02-2606-01	Same	Tube - Female
18	A31757-004	A32282-003	Drain Fab Assembly (Air-Cooled)	37	13-0674-11	Same	Drain Tube, 3.5"
19	12-2265-22	Same	Water Pump Assembly	38	02-2812-01	02-2812-02	Reservoir
20		03-1403-17	Screw, #8-32 x 3/8"				

# CM650R THE PARTS ILLUSTRATIONS AND PARTS LISTS

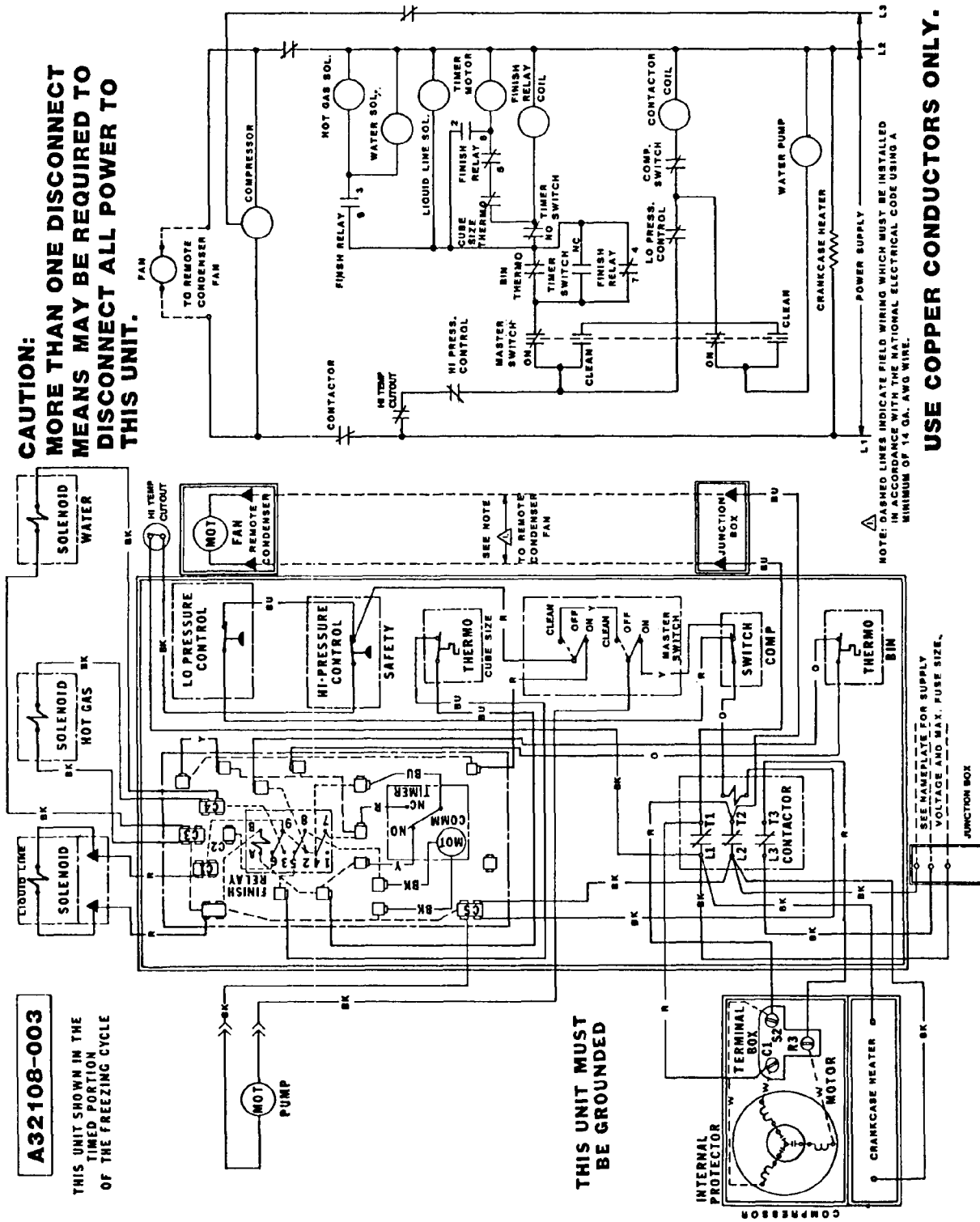


## CONTROL BOX

ITEM NUMBER	PART NUMBER		DESCRIPTION	ITEM NUMBER	PART NUMBER		DESCRIPTION
	"A" & "C"	"D"			"A" & "C"	"D"	
1	13-0557-00	Same	Grommet	20	11-0435-01	Same	Cube Size Control
2	12-1213-10	Same	Snap Bushing	21	03-1417-16	Same	Tooth Lockwasher
3	03-1417-18	Same	Tooth Lockwasher (2)	22	12-0426-01	Same	Switch SPST
4	03-1403-02	Same	Screw, #6-32 (2)	23	12-0426-01	Same	Switch SPST
5	03-1403-02	Same	Screw, #6-32 (2)	24	12-1213-17	Same	Snap Bushing
6	03-1417-18	Same	Tooth Lockwasher (2)	25	13-0557-00	Same	Grommet
7	11-0420-01	Same	Lo Pressure Control	26	03-1423-01	Same	Speed Nut (1)
8	11-0429-01	Same	High Pressure Control	27	18-1903-33	Same	Potential Relay (208-230/60/1)
9	A30902-001	A32168-001	Control Box Cover	28	03-1403-02	Same	Screw, #6-32 (2)
10	03-1531-01	Same	Screw	29	03-1403-15	Same	Screw, #8-32
11	12-1980-02	Same	Timer	30	12-2048-02	Same	Contactors (208-230/60/3)
12	12-1879-03	Same	Relay, 3PDT (208-230)	31	03-1103-00	Same	Twin Speed Nut (1)
13	12-1912-01	Same	Circuit Board	32	03-1418-06	Same	Hex Screw, #10-24 x 1/2 (2)
14	03-1403-02	Same	Screw, #6-32 (5)	33	No Number	Same	Bracket, Run Capacitor
15	03-1403-05	Same	Screw, #8-32 (2)	34	18-1902-45	Same	Run Capacitor
16	03-1417-03	Same	Tooth Lockwasher	35	18-2200-39	Same	Start Capacitor Bracket
17	11-0427-02	Same	Bin Thermostat	36	03-1403-15	Same	Screw, #8-32 (2)
18	03-1403-05	Same	Screw, #8-32 (2)	37	18-1901-45	Same	Start Capacitor
19	03-1417-03	Same	Tooth Lockwasher	38	18-2200-38	Same	Start Capacitor Cap

# CM650R WIRING DIAGRAM

**CAUTION:**  
**MORE THAN ONE DISCONNECT**  
**MEANS MAY BE REQUIRED TO**  
**DISCONNECT ALL POWER TO**  
**THIS UNIT.**



**A32108-003**

THIS UNIT SHOWN IN THE  
 TIMED PORTION  
 OF THE FREEZING CYCLE

**THIS UNIT MUST  
 BE GROUNDED**

NOTE: DASHED LINES INDICATE FIELD WIRING WHICH MUST BE INSTALLED  
 IN ACCORDANCE WITH THE NATIONAL ELECTRICAL CODE USING A  
 MINIMUM OF 14 GA. AWG WIRE.

SEE NAMEPLATE FOR SUPPLY  
 VOLTAGE AND MAX. FUSE SIZE.

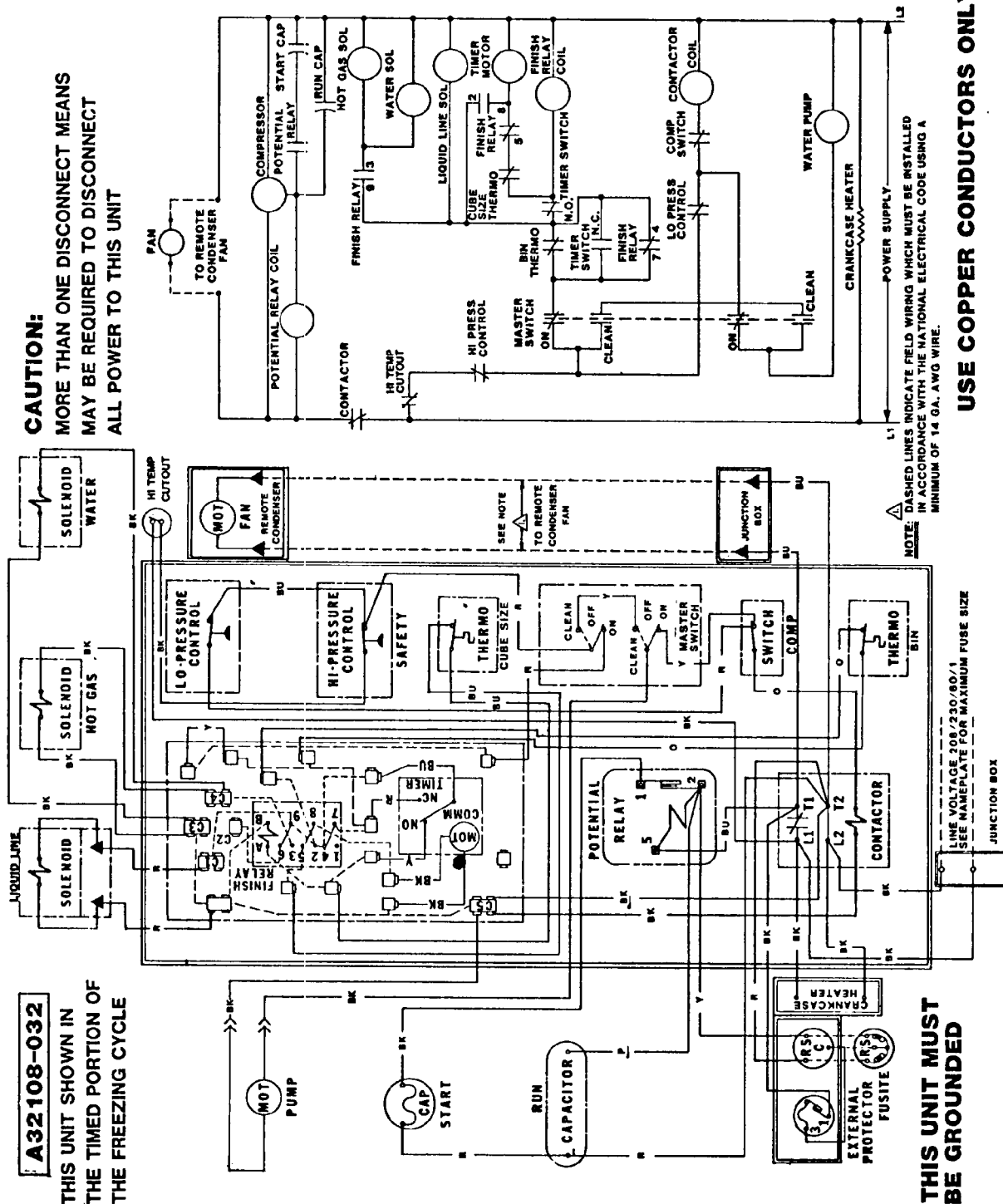
**USE COPPER CONDUCTORS ONLY.**

Use of the High Temperature cut-out begins with Serial Number 877650-02G



# CM650R WIRING DIAGRAM

**CAUTION:**  
MORE THAN ONE DISCONNECT MEANS  
MAY BE REQUIRED TO DISCONNECT  
ALL POWER TO THIS UNIT



**USE COPPER CONDUCTORS ONLY**

**A32108-032**  
THIS UNIT SHOWN IN  
THE TIMED PORTION OF  
THE FREEZING CYCLE

**THIS UNIT MUST  
BE GROUNDED**

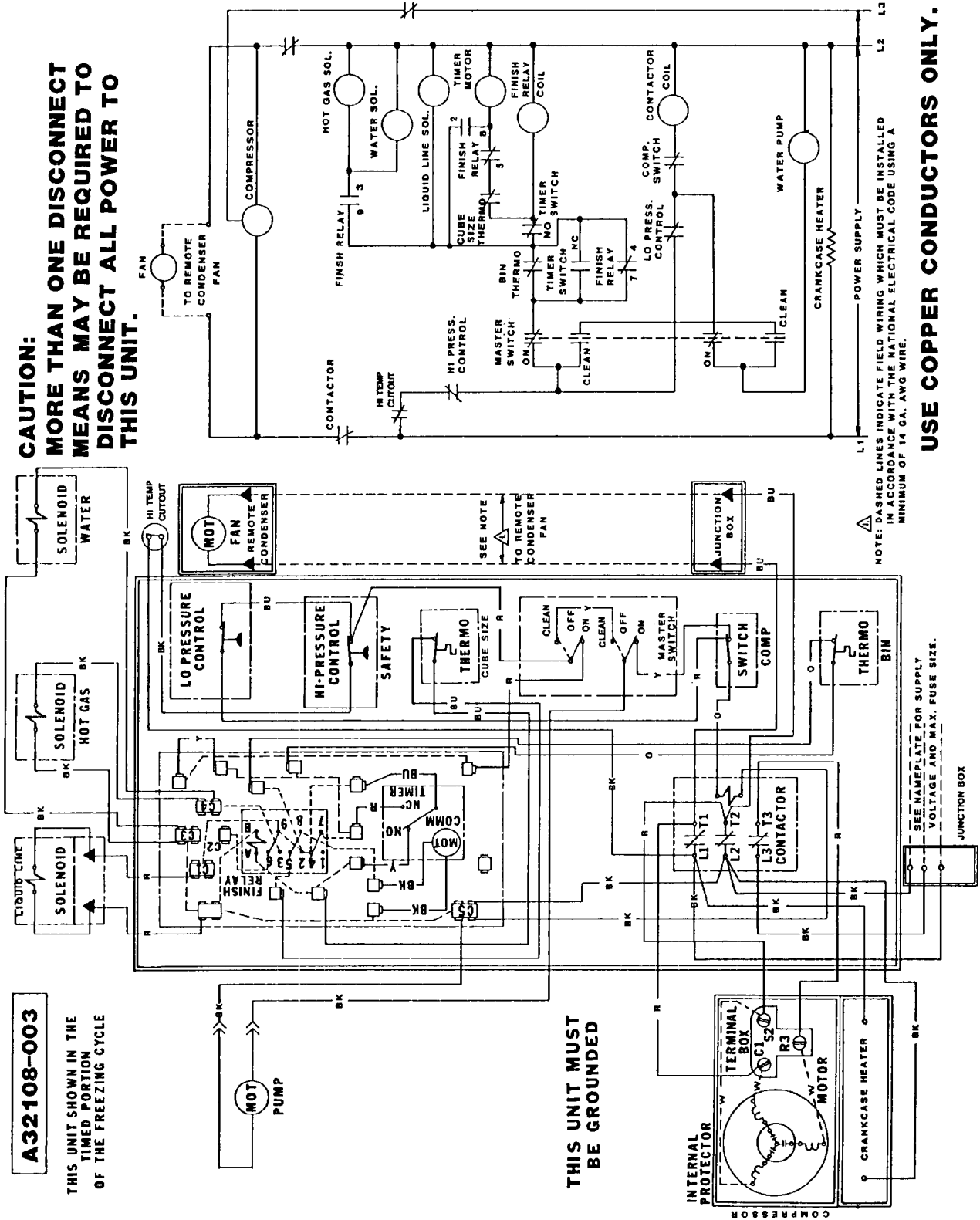
Use of the High Temperature cut-out begins with Serial Number 877650-02G

Wiring Diagram CM650RE-32 (208-230/60/3)

AUGUST, 1986  
Page 11

# CM650R WIRING DIAGRAM

**CAUTION:**  
**MORE THAN ONE DISCONNECT**  
**MEANS MAY BE REQUIRED TO**  
**DISCONNECT ALL POWER TO**  
**THIS UNIT.**



**A32108-003**  
 THIS UNIT SHOWN IN THE  
 TIMED PORTION  
 OF THE FREEZING CYCLE

**THIS UNIT MUST  
 BE GROUNDED**

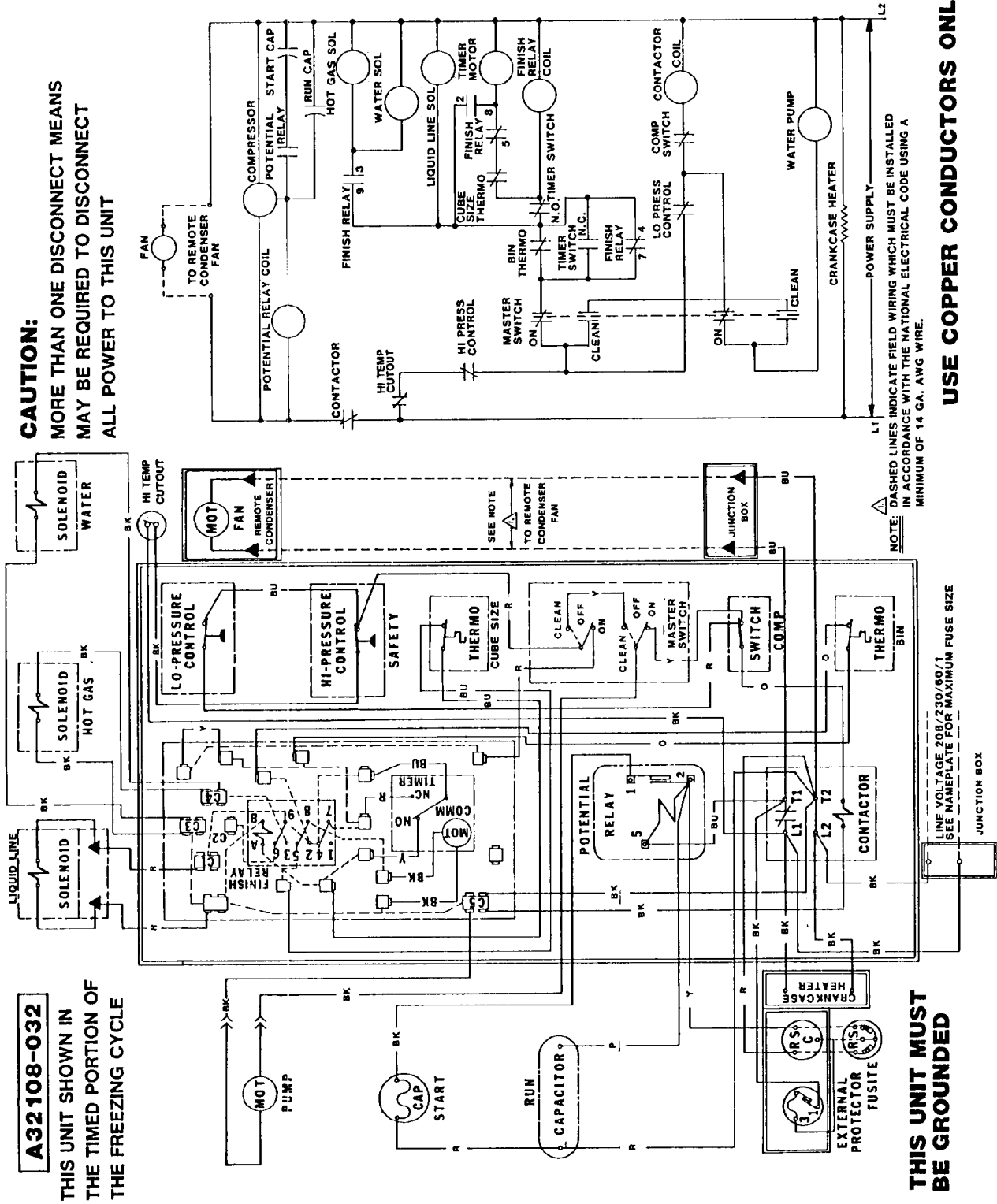
**NOTE:** DASHED LINES INDICATE FIELD WIRING WHICH MUST BE INSTALLED  
 IN ACCORDANCE WITH THE NATIONAL ELECTRICAL CODE USING A  
 MINIMUM OF 14 GA. AWG WIRE.

**USE COPPER CONDUCTORS ONLY.**

Wiring Diagram CM650RE-3D (208-220/60/3)

# CM650R WIRING DIAGRAM

**CAUTION:**  
MORE THAN ONE DISCONNECT MEANS  
MAY BE REQUIRED TO DISCONNECT  
ALL POWER TO THIS UNIT



**USE COPPER CONDUCTORS ONLY**

**A32108-032**  
THIS UNIT SHOWN IN  
THE TIMED PORTION OF  
THE FREEZING CYCLE

**THIS UNIT MUST  
BE GROUNDED**  
LINE VOLTAGE 208/230/60/1  
SEE NAMEPLATE FOR MAXIMUM FUSE SIZE

Wiring Diagram CM650RE-32D (208-230/60/1)