

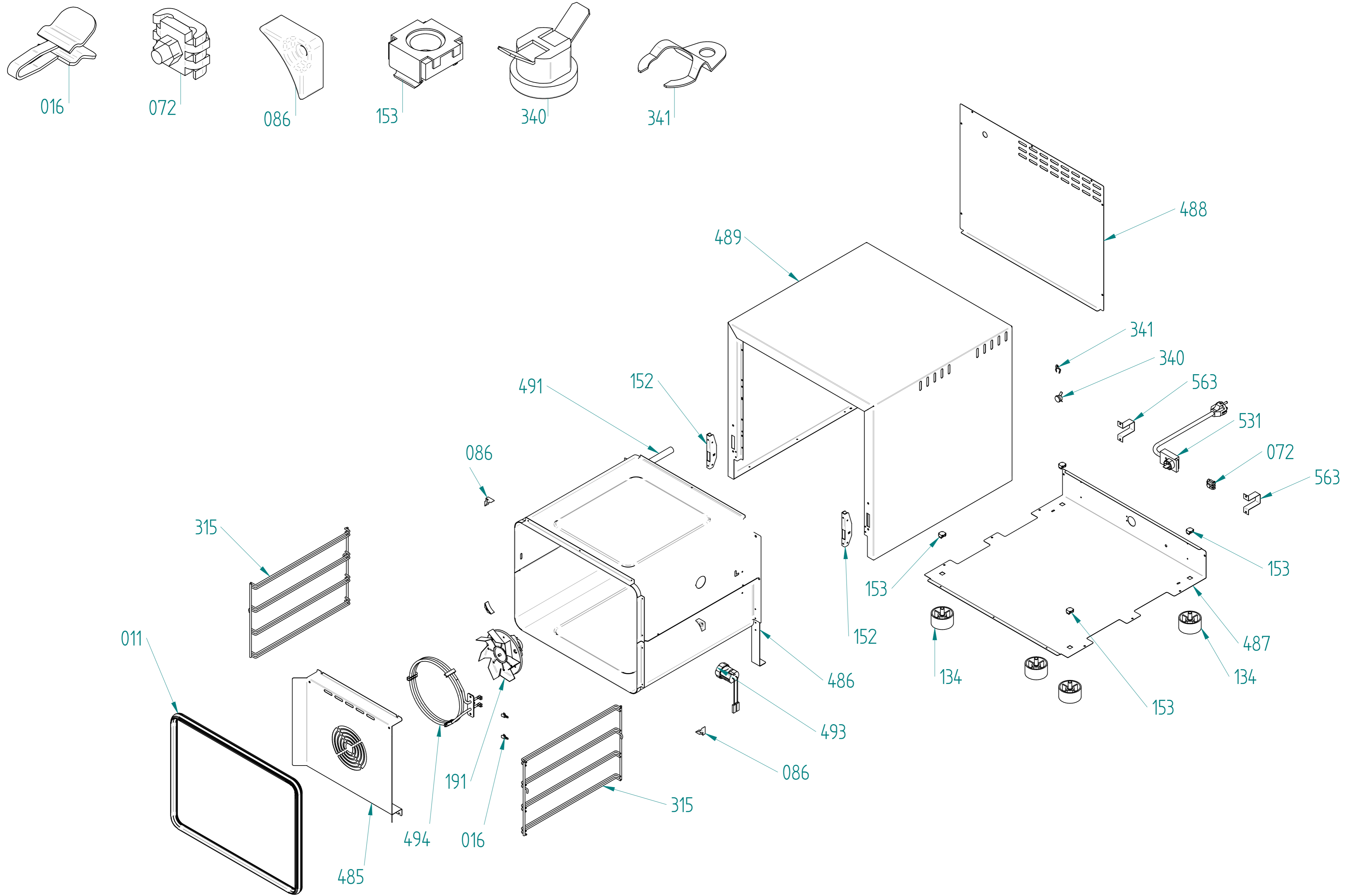


Heißluftöfen & Snackgeräte Heißluftofen

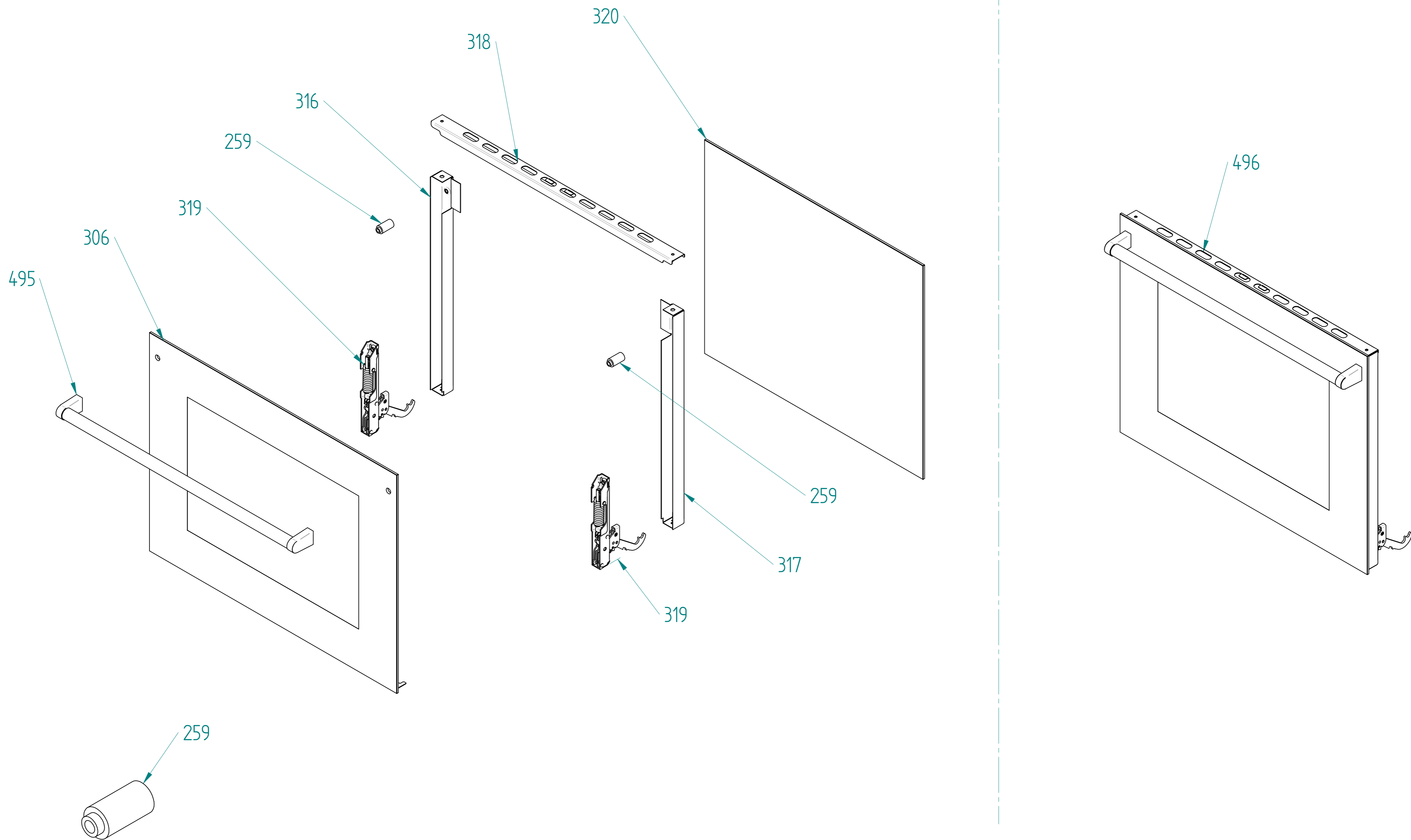
Artikel-Nr. 211028 (P600)

Explosionszeichnung / Ersatzteile

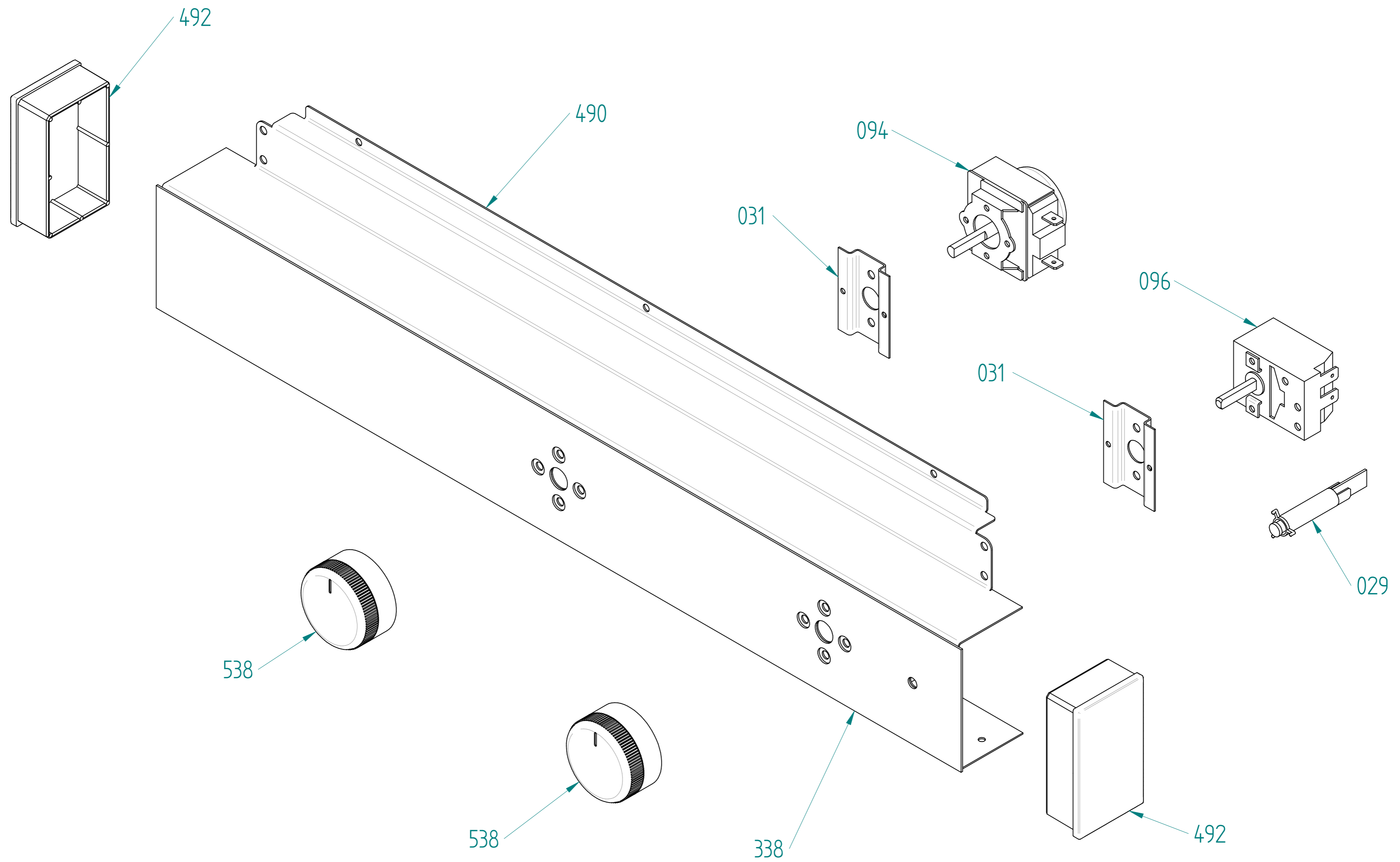
Bitte bei Ersatzteilbestellung immer Artikelnummer und Seriennummer mit angeben!



TITLE	ESPLOSO CORPO FORNO P600 MECCANICO PIRON	DESIGNER	Conte R.
DATE OF VALIDITY	07/12/2012 -	OLD CODE	...
FILE	U:\DISEGNI_SEVESPLSI\600\60020000_A.dft	NEW CODE	P60020000_A



TITLE	ESPLOSO PORTA FORNO 600 PIRON PORO2021	DESIGNER	Conte R.
DATE OF VALIDITY	07/12/2012 -	OLD CODE
FILE	U:\DISEGNI_SE\ESPLOSI\600\P60020000_B.dft	NEW CODE	P60020000_B



TITLE	ESPLOSO CRUSCOTTO FORNO P600 MECCANICO PIRON	DESIGNER	Conte R.
DATE OF VALIDITY	07/12/2012 - ...	OLD CODE	...
FILE	U:\DISEGNI_SEVESPLOSIV600\P60020000_C.dft	NEW CODE	P60020000_C

LISTA DISTINTA BASE RICAMBI al: 22/03/13

Dall'articolo: P60020000

Ditta: PIRON

All'articolo : P60020000

ARTICOLO	U.M.	DATA EV	DPR	CCA
P60020000 CON OVEC. 4T.442*325 PIRON	PZ	21/02/13	100	CPR

DISEGNO	COD RICAMBIO	DESCRIZIONE	QTA
011	GUA30002	GASKET	1,59000
016	PIA30014	SUPPORT FOR SAFETY THERMOSTAT SENSOR	2,00000
029	IND30002	ORANGE INDICATOR LIGHT	1,00000
031	SUP30060	SUPPORT OF COMPONENTS FOR COMMAND PANEL	2,00000
072	MOR30001	TERMINAL BLOCK	1,00000
086	TAP30013	PLASTIC CORNER	4,00000
094	PRG30001	TIMER 0-120 MINUTE	1,00000
096	TER30003	THERMOSTAT L=1000 500/600/800/900 TM1518	1,00000
134	PIE30004	ADJUSTABLE FOOT	4,00000
152	7424000002	HINGE BRACKET	2,00000
153	DAD30010	NUT FOR FEET	4,00000
191	MOT30005	FAN MOTOR	1,00000
259	DIS30009	SPACER GLASS D00R	2,00000
306	VET00021	EXTERNAL GLASS COMPLETE 504	1,00000
315	GRI30042	KIT SUPPORT 4 STANDARD TRAYS	2,00000
316	PRO30007	LAT. RIGHT DOOR LOW PROFILE	1,00000
317	PRO30006	LAT. LEFT DOOR LOW PROFILE	1,00000
318	PRO30005	PROFILE	1,00000
319	7424000003	DOOR HINGE	2,00000
320	VET30017	INTERNAL GLASS 504/604	1,00000
338	FR030016	F.POLIC. P503-P504 PIRON(UT.X FR030017	1,00000
340	TER30002	SECURITY THERMOSTAT AUT145NC 16A	1,00000
341	SUP30102	STAF SING BULBO TERM LIEVIT 3MM130298	1,00000
485	DEF30052	AIR DEFLECTOR P600 SM	1,00000
486	SUP30151	SUPPORT COOKING CHAMBER	2,00000
487	FON30114	FONDO SUPP. PIEDINI P600 SM LAM ZIN	1,00000
488	SCN00026	BACK SIDE OVEN P600 SM	1,00000
489	CPR00026	EXTERNAL BOX P600 SM	1,00000
490	CRU60130	COMMAND PANEL P600 SM	1,00000
491	TUB30056	CHIMNEY FOR FUMES P600 SM	1,00000
492	TAP30018	PLUG CONTROL PANEL	2,00000
493	LAM30006	COMPLETE LAMP	1,00000
494	RES30019	HEATING ELEMENT 2500 WATT	1,00000
495	MAG30022	EXTERNAL GLASS COMPLETE 504	1,00000
496	POR02021	DOOR FOR OVEN 600	1,00000
531	CAV30002	CAVO ALIM.F504+SPINA SHUKO+MORS.PA244	1,00000
538	MAN30024	MAN.NERO SABB. OLIATO IND.VERN ART 459	2,00000
563	SUP30160	OVEN SPACER	2,00000