

HOOD TYPE MACHINE

INSULATED DOUBLE WALLED CAPOTE
ELECTRONIC SWITCHES VERSION

TYPE: 373E

Accessories

CAPOTE "LIFT" LIFTING SYSTEM

BREAK TANK

BOOSTER PUMP

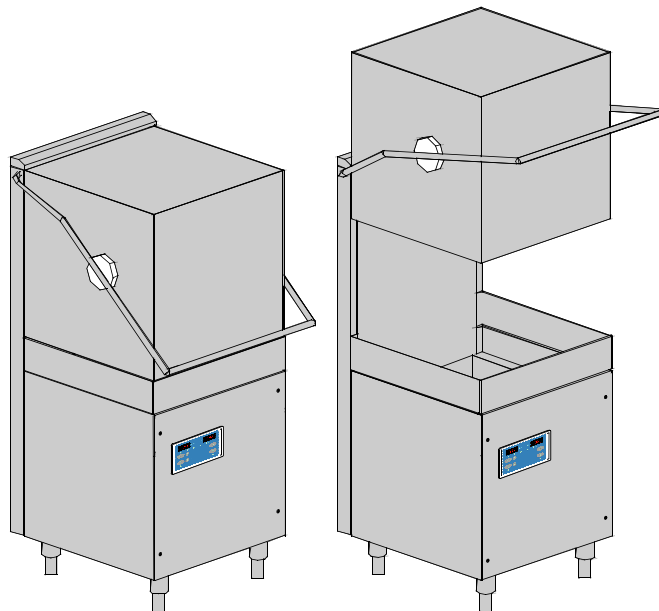
DVGW

WATER SOFTNER

DETERGENT DISPENSER

DRAIN PUMP

Spare parts manual



1. Spare parts

General body parts.....	7
Closing panelig.....	9
Hood LIFT lifting system	11
Control panel and switches.....	13
Electric control components.....	15
Solenoid valve group	17
Solenoid valve group	19
Break Tank	21
Rinse with steady temperature.....	23
Booster pump.....	25
DVGW	27
Water softner group.....	29
Rinse aid dispenser group.....	31
Boiler group	33
3 ways connection	35
Wash pump group.....	37

Dosing detergent group.....	39
Dosing detergent group.....	41
Drain pump group.....	43
Pressure switch group with air trap ...	45
Turret group with rotating arms	47

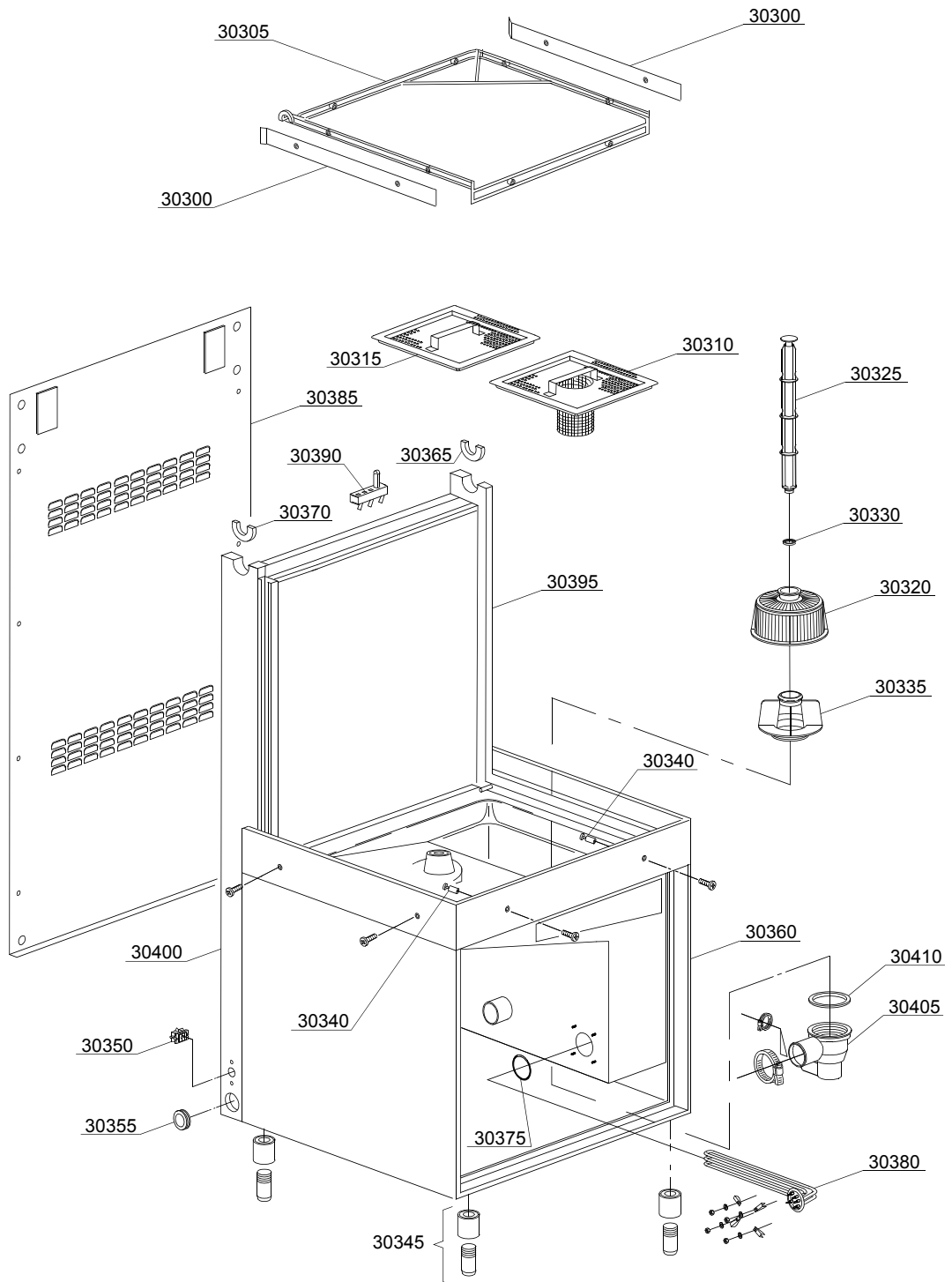
1.1 Voltage codes

Voltage code	Voltage
A	3/N/PE~400/230V 50Hz
B	~250V 16A 50Hz
C	3/N/PE~380/220V 50Hz
D	3/PE~200V 50-60Hz
F	2/PE 220-240V 50Hz
G	3/N/PE~415/240V 50Hz
H	3/PE~230V 50Hz
I	3/PE~220V 60Hz
J	3/PE~380 50Hz
K	3/PE~400V 50Hz
L	3/PE~415V 50Hz
M	3/PE~440V 60Hz
N	3/PE~460V 60Hz
O	3/PE~480V 60Hz
P	1/N/PE~220-240V 50Hz
R	2/PE~220-230V 60Hz
S	3/N/PE~400/230V 50Hz
T	3/PE~230V 60Hz

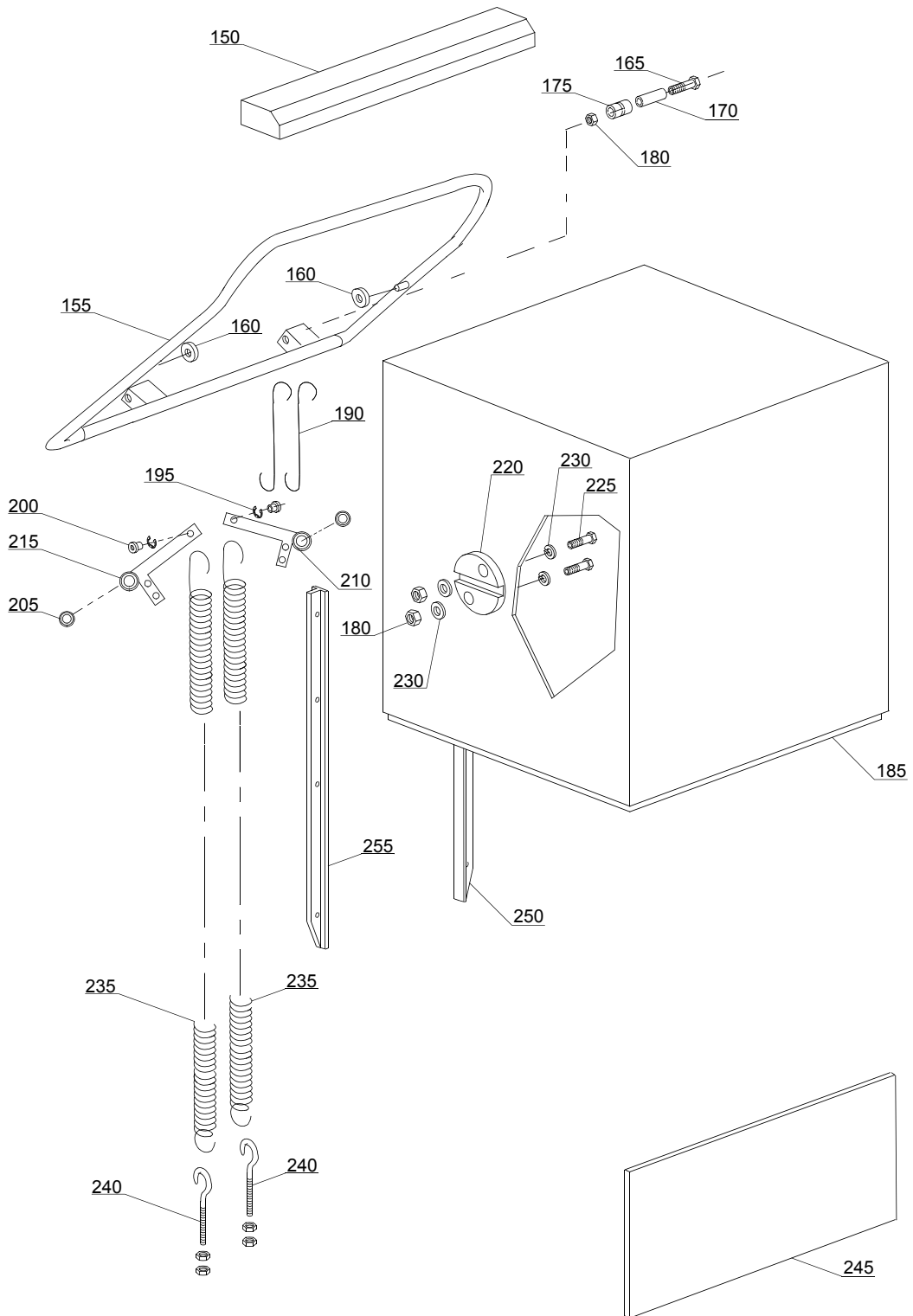
1.2 Product codes

Product code	Full name
Model codes	
is	INSULATED DOUBLE WALLED CAPOTE
e	ELECTRONIC SWITCHES VERSION
Type codes	
373E	373E
Accessory codes	
lift	CAPOTE "LIFT" LIFTING SYSTEM
bt	BREAK TANK
pap	BOOSTER PUMP
dvgw	DVGW
d	WATER SOFTNER
dde	DETERGENT DISPENSER
ps	DRAIN PUMP

01_028_e

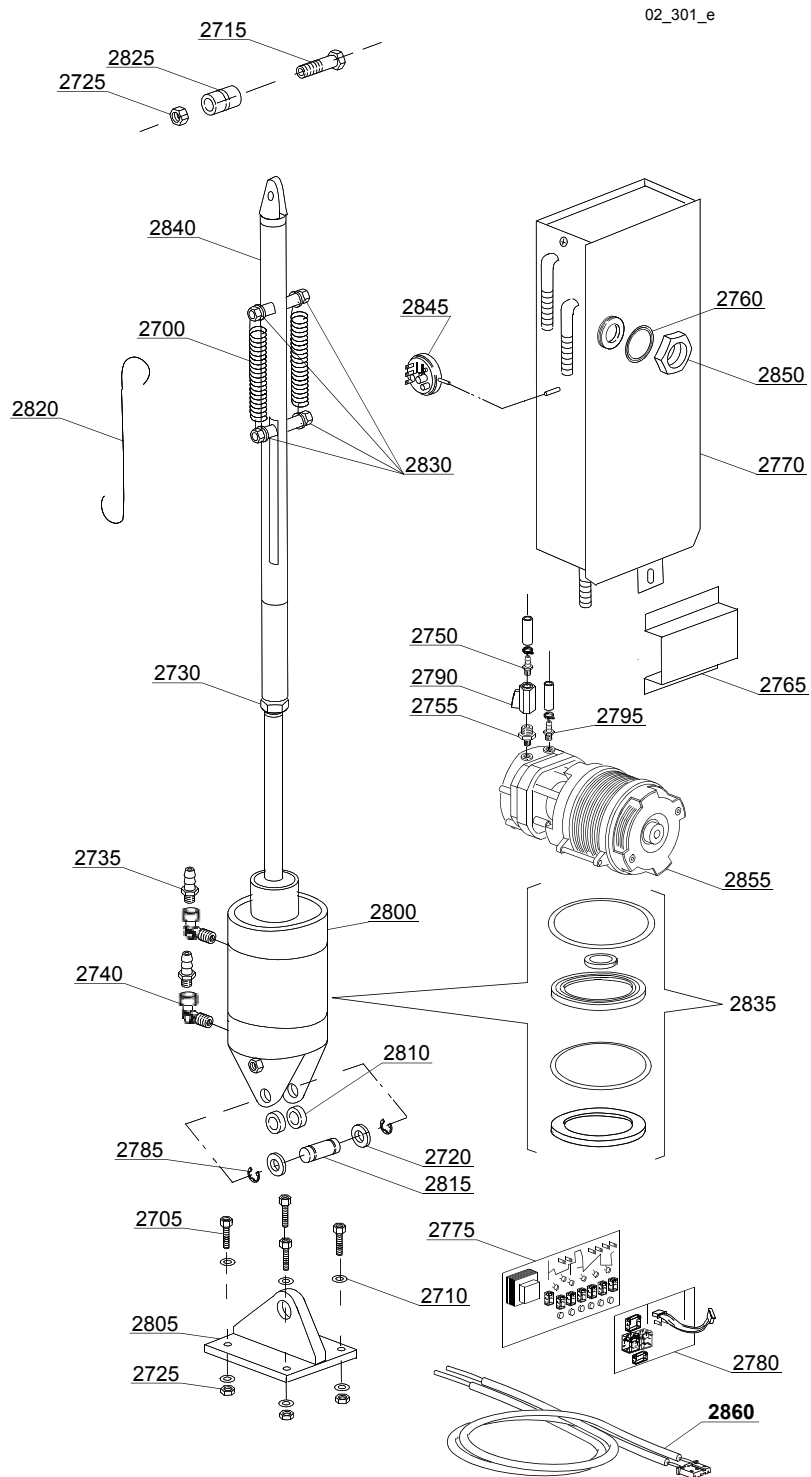


02_202_e



Spare parts

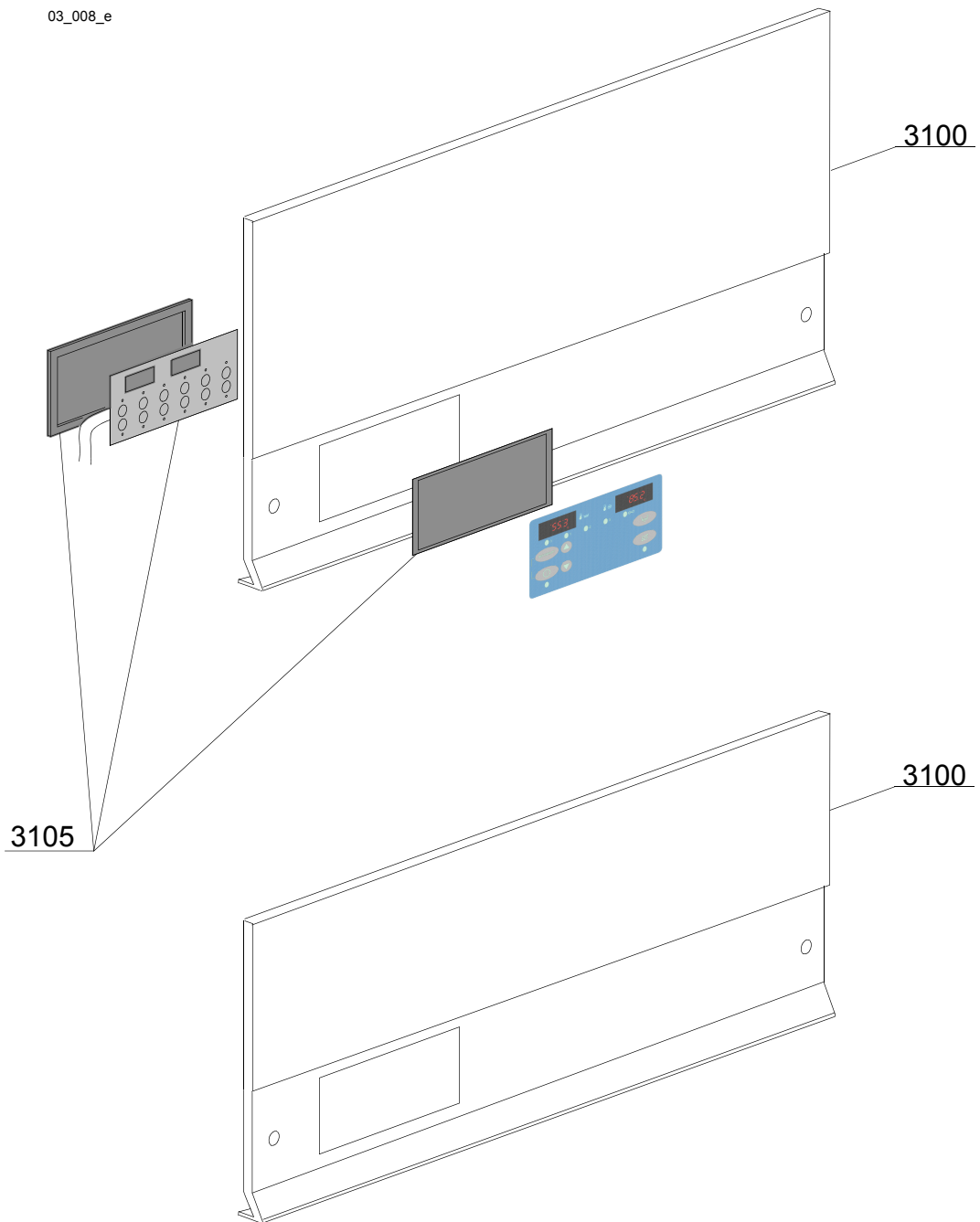
ID	P-code	Model	Type	Accessory	Voltage	Description
MODULE:Closing panelig						
150	11600913		373E			Cover
155	11600910		373E			Handle
160	89919		373E			Hood roller
165	11214		373E			Screw
170	11600015		373E			Roller spacer
175	11600014		373E			Roller tie rod
180	11718		373E			M8 stainless steel self-locking nut
185	11600902		373E			Hood
190	11600013		373E			Movement mediating bar
195	11823		373E			Ø10 stainless steel snap ring
200	11600038		373E			Spring bush
205	10800010		373E			Lever bearing
210	11600026		373E			Right lever
215	11600027		373E			Left lever
220	11600030		373E			Hood movement cam
225	11110		373E			M8x35 TE stainless steel screw
230	13301		373E			O-ring
235	70302		373E			Hood spring
240	10800210		373E			Spring hook
245	11600953		373E			Lower front panel
250	11600028		373E			Hood right sliding guide
255	11600029		373E			Hood left sliding guide



Spare parts

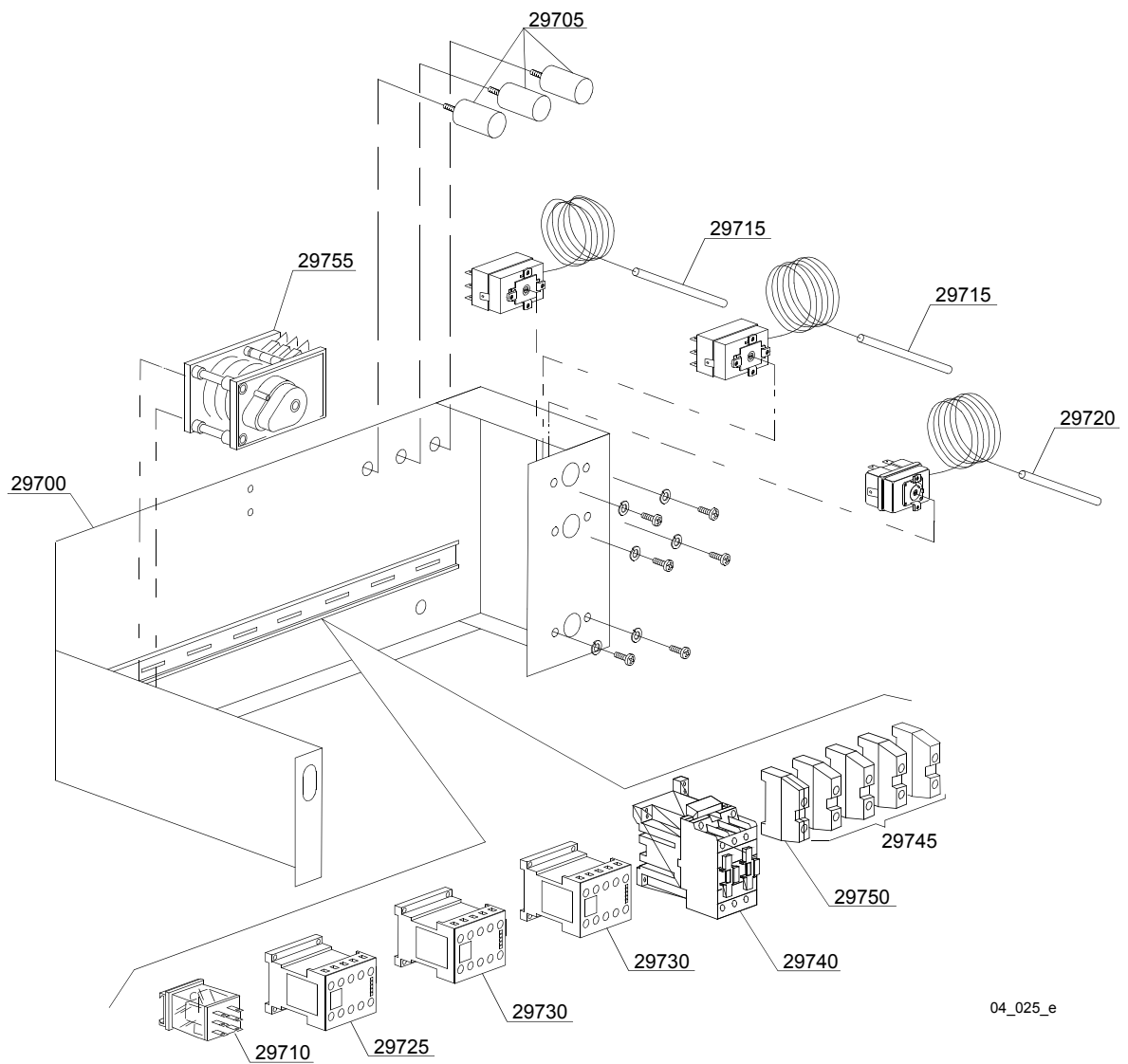
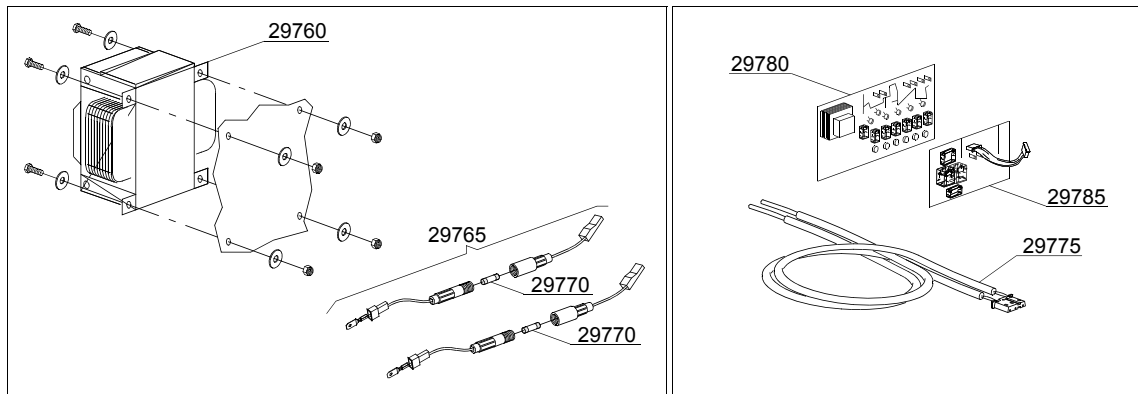
ID	P-code	Model	Type	Accessory	Voltage	Description
MODULE:Hood LIFT lifting system						
2700	10700		373E	lift		Spring
2705	11166		373E	lift		Screw
2710	11177		373E	lift		Plain washer
2715	11215		373E	lift		Screw
2720	11617		373E	lift		Washer
2725	11718		373E	lift		M8 stainless steel self-locking nut
2730	11720		373E	lift		M16 stainless steel nut
2735	12005		373E	lift		Rubber-holder
2740	12012		373E	lift		M/F 1/4 Elbow
2750	12013		373E	lift		Hose coupling - 10mm - 3/8"
2755	12034		373E	lift		Reduction nipple 3/8" - 1/2"
2760	13305		373E	lift		44x32x3 O-ring
2765	15738		373E	lift		Overflow cover
2770	15745		373E	lift		Water receiver
2775	50569		373E	lift		Electronic Card without Chip
2775	50557		373E	lift		60/100/180 Eco-2 electronic print card
2780	50559		373E	lift		Relay card
2785	3002069		373E	lift		Stainless steel snap ring
2790	3002140		373E	lift		FF 1/2 tap
2795	10221311		373E	lift		Hose coupling - 12mm - 3/8"
2800	11600042		373E	lift		Hydraulic piston
2805	11600043		373E	lift		Flange for piston
2810	11600044		373E	lift		Spacer for flange joint
2815	11600045		373E	lift		Piston axel pin for flange
2820	11600046		373E	lift		Piston movement bar
2825	11600047		373E	lift		Strengthened bushing
2830	11600049		373E	lift		Pins spring attachment
2835	11600053		373E	lift		Gasket kit hydraulic piston
2840	11600917		373E	lift		Piston lifting arm
2845	10706/A		373E	lift		47-27 pressure switch
2850	11701/A		373E	lift		Stainless steel nut
2855	15100/D		373E	lift		Booster pump 220-240/50
2860	50562		373E	lift		Temperature probe set

03_008_e



Spare parts

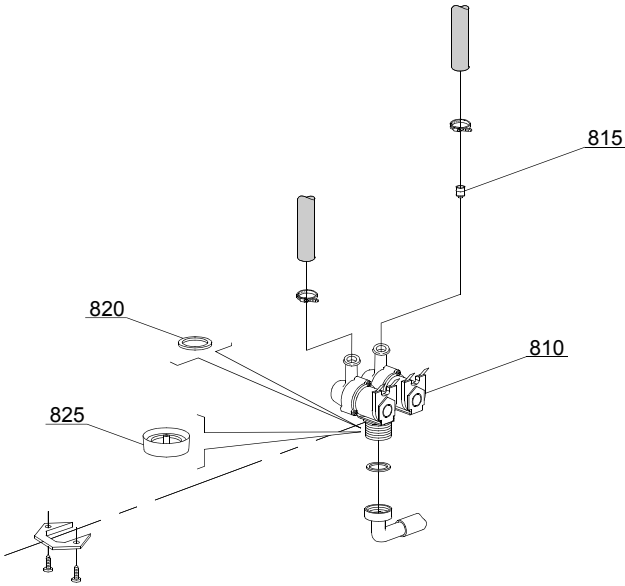
ID	P-code	Model	Type	Accessory	Voltage	Description
MODULE:Control panel and switches						
3100	11600952		373E			Control panel
3105	50570		373E	dp		Compleat membrane push button-driver



04_025_e

Spare parts

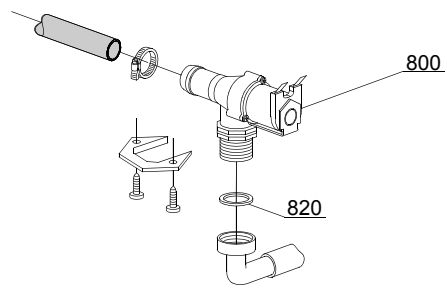
ID	P-code	Model	Type	Accessory	Voltage	Description
MODULE:Electric control components						
29700	11600955		373E			Electric component panel
29705	15149		373E			Low noise filter
29710	560301		373E	lift		Relay
29720	2000430		373E			Safety thermostat
29725	10300391		373E			3NA/1NC contactor - 230V 50/60HZ
29725	10300392		373E			3NA/1NC contactor - 240Vac 50Hz
29730	15086		373E			Contactor 230V 50/60Hz 4C
29730	15086/B		373E			Contactor 240V 50Hz
29740	10300050		373E			25A/12A contactor - 230V 50/60HZ
29740	10300052		373E			36A/20A contactor - 230V 50/60HZ
29740	10300054		373E			25A/16A contactor - 230V 50/60HZ
29745	10300401		373E			6/8mm2 yellow/green terminal
29750	10300403		373E			6mm2 terminal
29775	50562		373E	ws		Temperature probe set
29780	50569		373E			Electronic card without chip
29780	50557		373E	ws		60/100/180 Eco-2 electronic print card
29785	50559		373E	dp,ws		Relay card



05_003_e

Spare parts

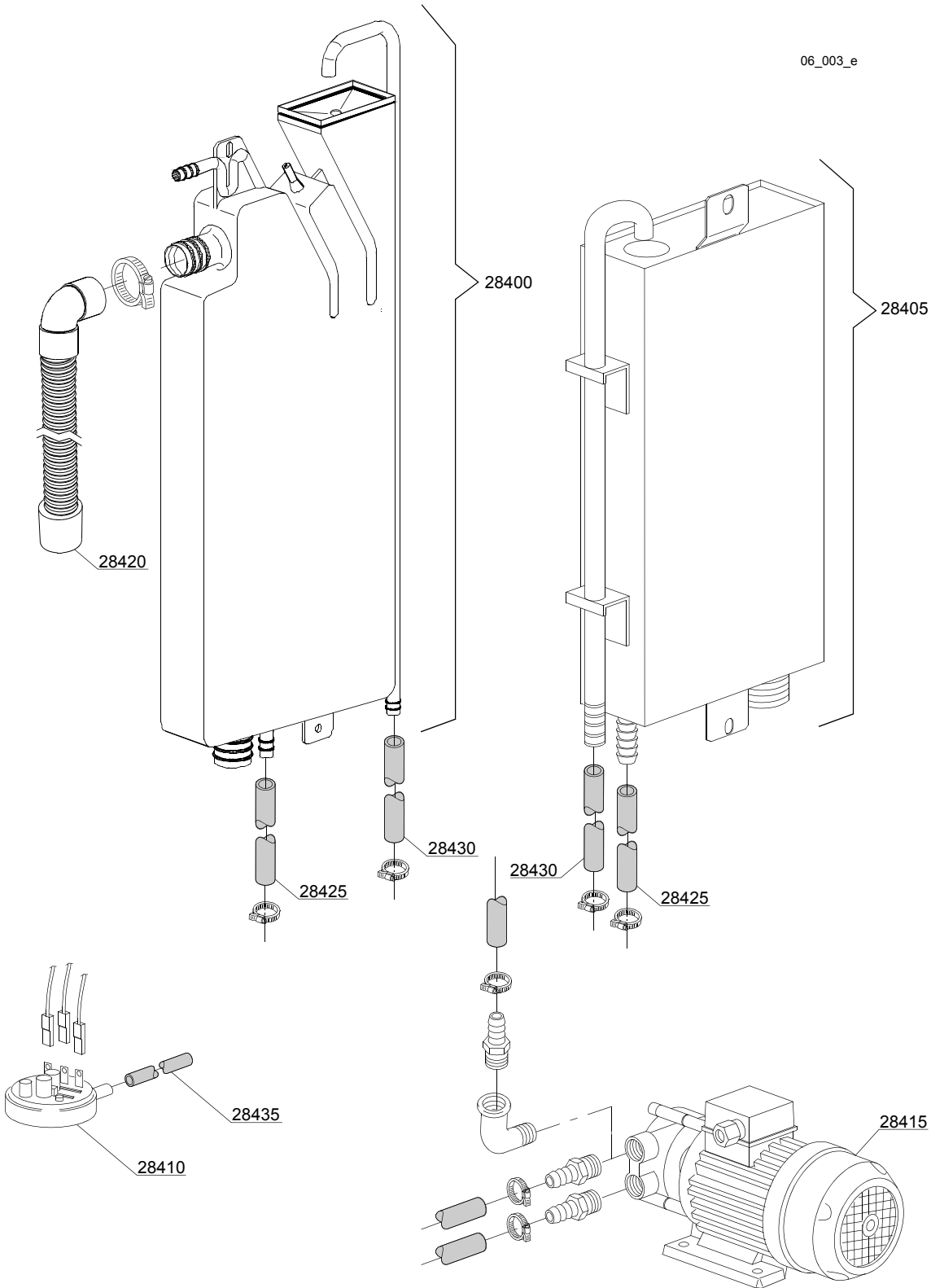
ID	P-code	Model	Type	Accessory	Voltage	Description
MODULE: Solenoid valve group						
810	15098		373E	cr,ws		Double solenoid valve - Ø10
820	N.C.		373E	cr,ws		Pression reducing valve



05_005_e

Spare parts

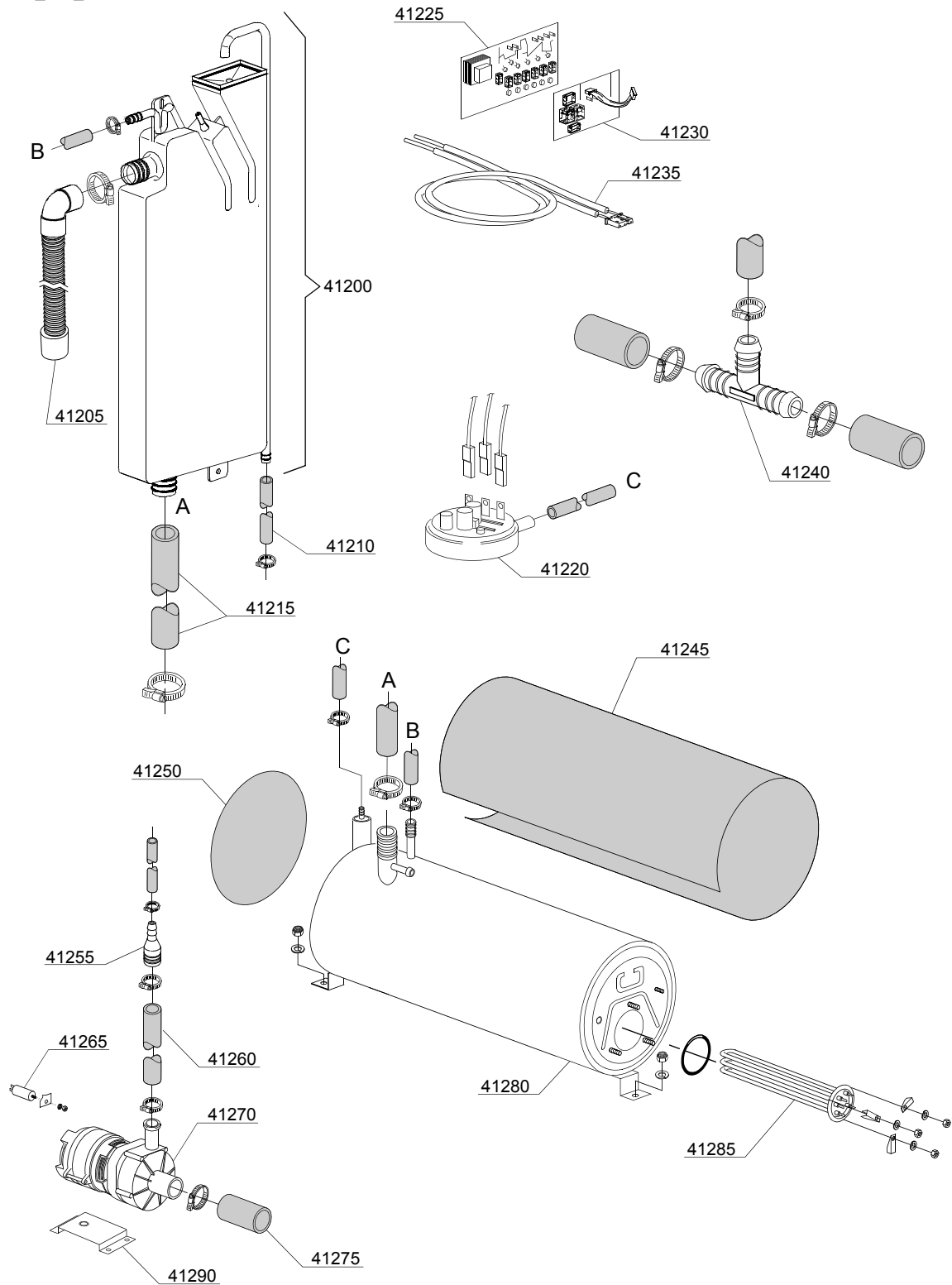
ID	P-code	Model	Type	Accessory	Voltage	Description
MODULE:Solenoid valve group						
800	30001000		373E			Single solenoid valve
820	N.C.		373E			Pression reducing valve



Spare parts

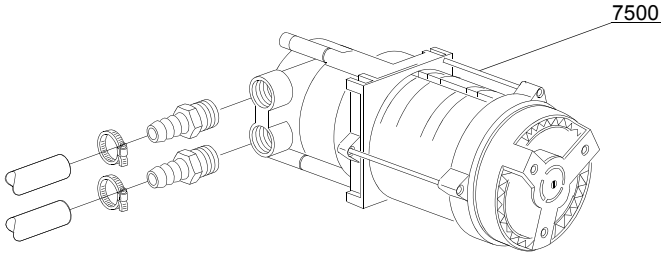
ID	P-code	Model	Type	Accessory	Voltage	Description
MODULE:Break Tank						
28400	15720		373E	bt		Break tank assembly
28405	15735		373E	bt		Break tank assembly
28410	10706/A		373E	bt		47-27 pressure switch
28415	15100		373E	bt		Booster pump 0,5HP 220/240V
28420	15721		373E	bt		BT long pipe L=1070
28420	15722		373E	bt		BT middle pipe L=920
28420	15723		373E	bt		BT small pipe L=920
28425	2907350		373E	bt		12x20 EPDM rubber hose
28430	2907352		373E	bt		PVC WRAS rubber hose
28435	14508		373E	bt		4,5x9 EPDM rubber hose

06_005_e



Spare parts

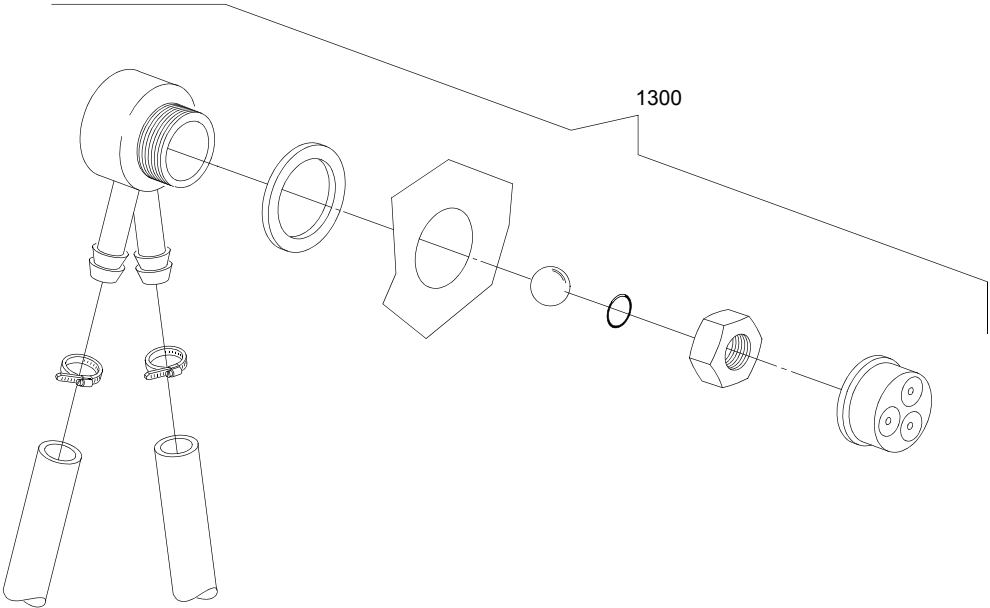
ID	P-code	Model	Type	Accessory	Voltage	Description
MODULE:Rinse with steady temperature						
41200	15720		373E			Break tank assembly
41205	15721		373E			BT middle pipe L=920
41210	2907352		373E			PVC WRAS rubber hose
41215	x		373E			Pipe coupling
41220	10706/A		373E			34-100 pressure switch
41225	50569		373E			Electronic Card without Chip
41230	50559		373E			Relay card
41235	50562		373E			Temperature probe set
41240	540098		373E			3 ways D25
41245	30002030		373E			Insulation boiler
41250	75205		373E			Ø160 end piece
41255	3003063		373E			Reducer
41260	10718		373E			Pump pipe coupling
41265	10702		373E			5 uF condenser
41270	10508		373E			Rinsing pump
41275	10718		373E			Pump pipe coupling
41280	11600104		373E			Boiler
41285	30001011		373E			9 kW heating element
41290	440122		373E			Pump support



07_003_e

Spare parts

ID	P-code	Model	Type	Accessory	Voltage	Description
MODULE:Booster pump						
7500	15100/D		373E	bp		Booster pump 220-240/50

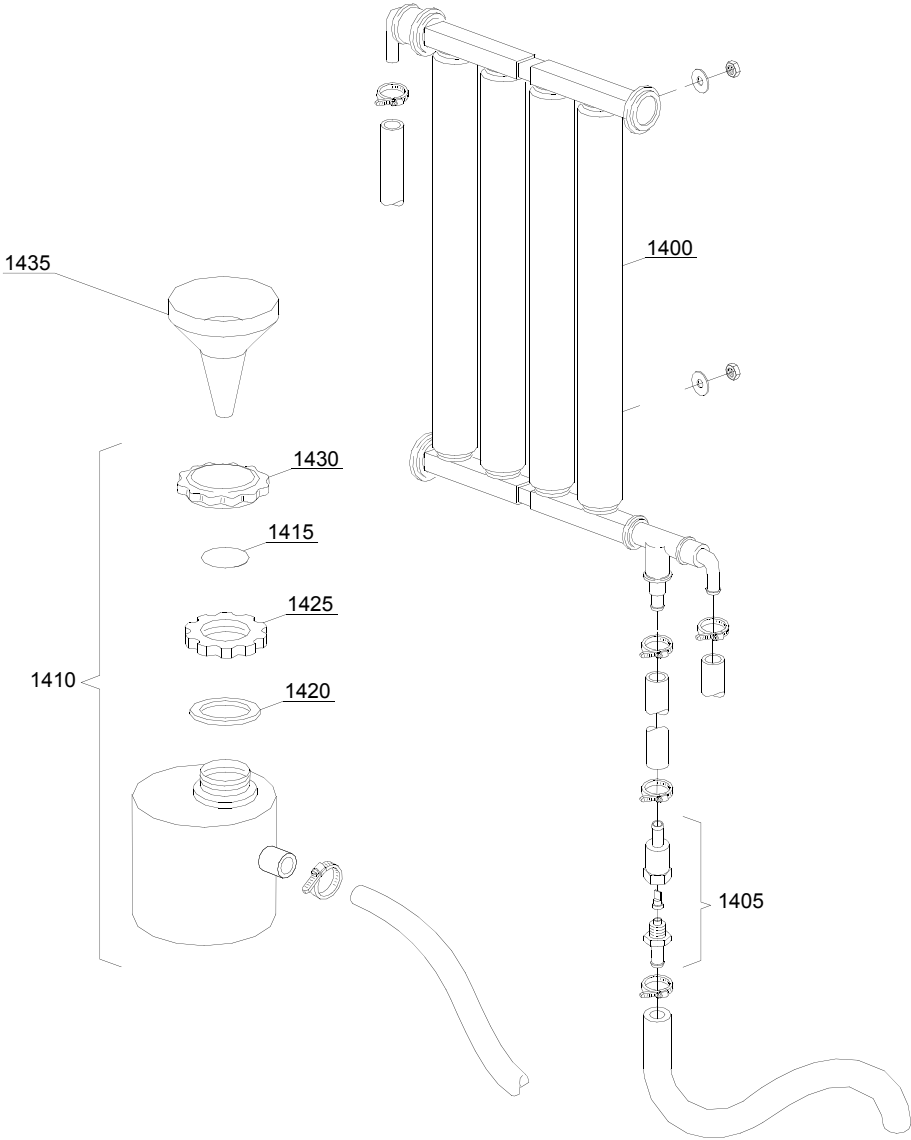


08_005_e

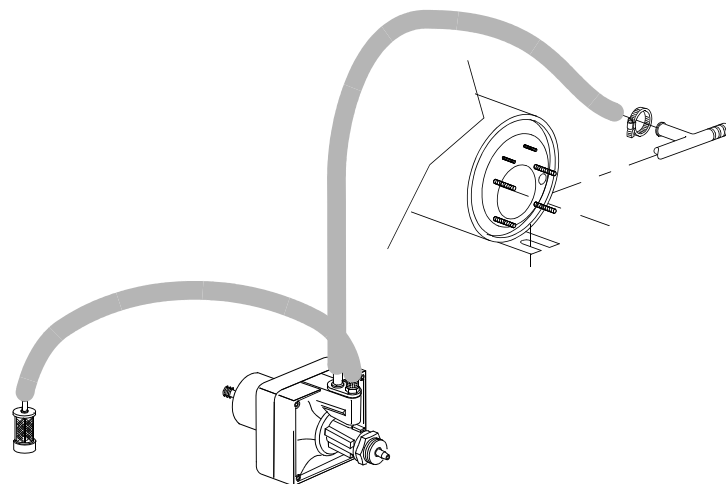
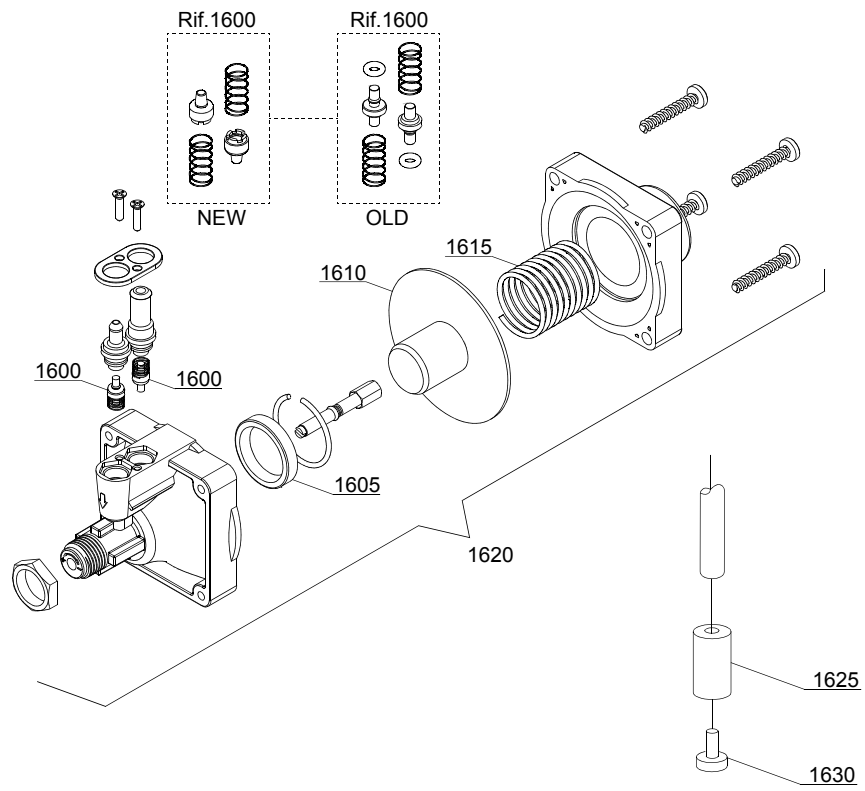
Spare parts

ID	P-code	Model	Type	Accessory	Voltage	Description
MODULE:DVGW						
1300	999900006		373E	dvgw		DVGW assembly

09_001_e



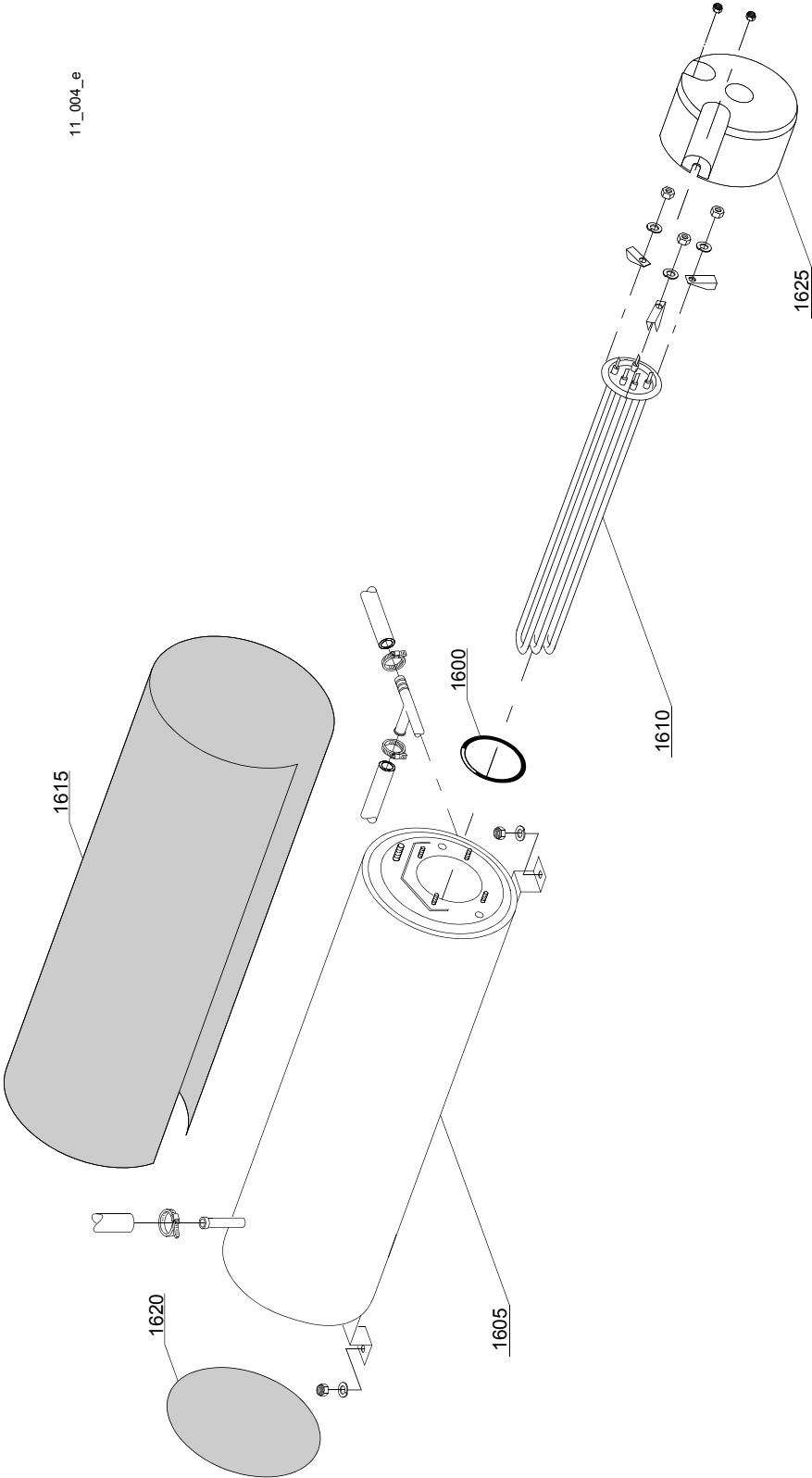
ID	P-code	Model	Type	Accessory	Voltage	Description
MODULE:Water softner group						
1400	16066		373E	ws		4 elements water softner
1405	16070		373E	ws		Nonreturn valve
1410	16065		373E	ws		Salt container
1415	16067/A		373E	ws		OR O-ring
1420	16067/B		373E	ws		O-ring
1425	16067/C		373E	ws		Ring nut
1430	16067/D		373E	ws		Plug
1435	16082		373E	ws		Funnel



10_003_e

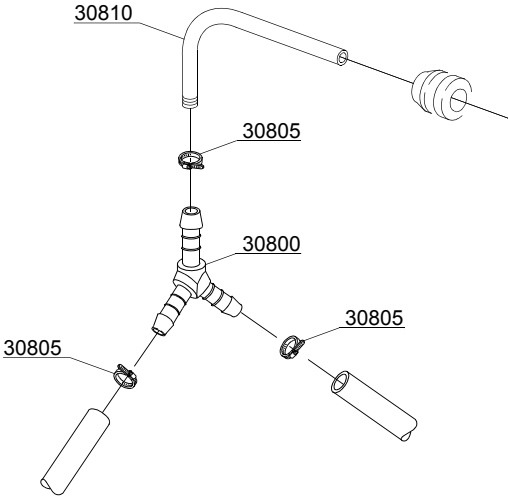
Spare parts

ID	P-code	Model	Type	Accessory	Voltage	Description
MODULE: Rinse aid dispenser group						
1600	10805		373E			Tecnopro non return valve
1605	10806		373E			Ø22 O-ring
1610	10807		373E			Membrane
1615	10808		373E			Spring
1620	10599999		373E			Rinse aid dispenser
1625	12525		373E			Counter-weight
1630	15058		373E			Small filter



Spare parts

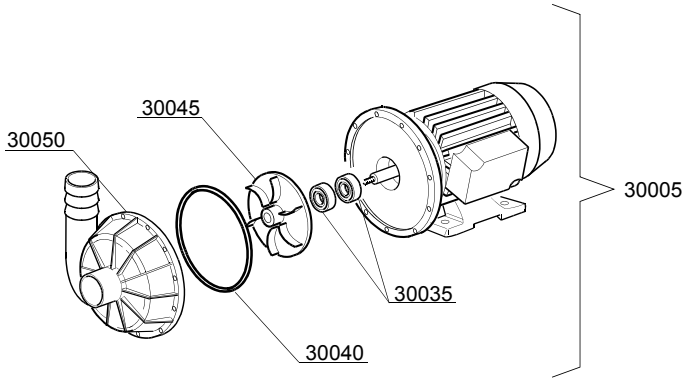
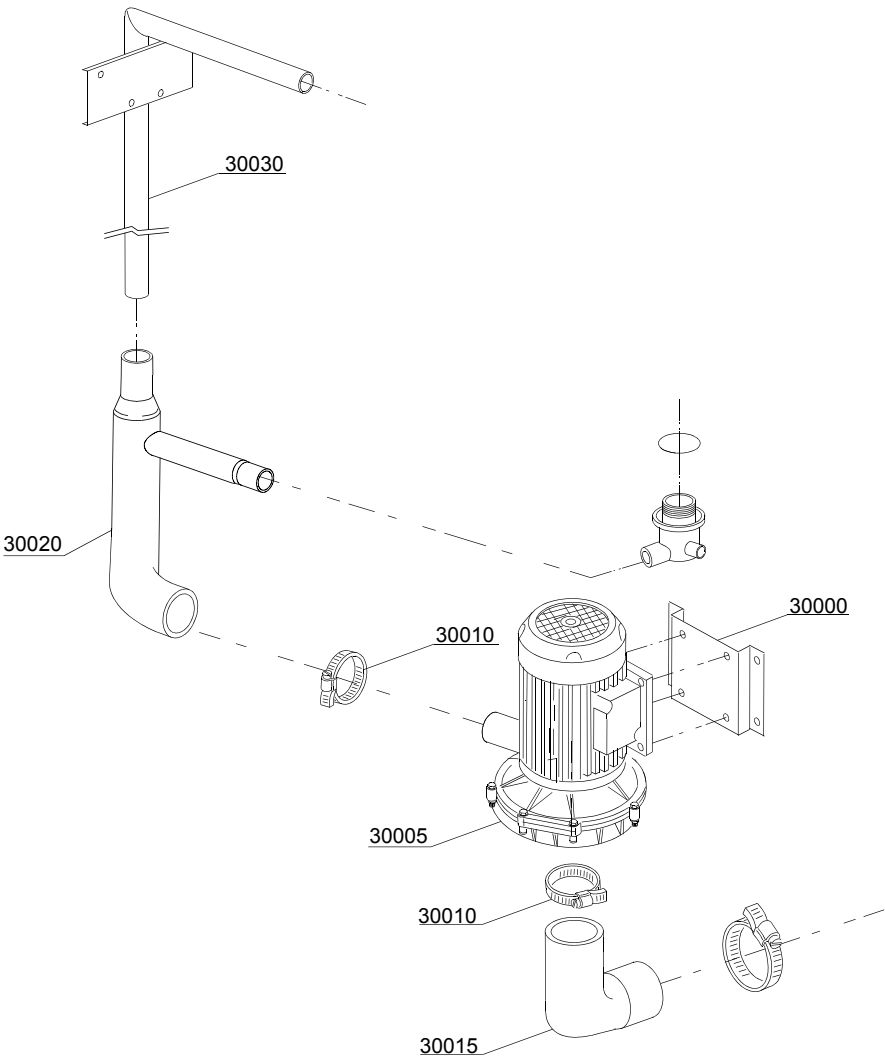
ID	P-code	Model	Type	Accessory	Voltage	Description
MODULE:Boiler group						
1600	13015		373E			6225 OR 160 NBR O-ring
1605	22002		373E			Boiler
1610	30001011		373E			9/9,8KW 230/240/3 heating element
1615	30002030		373E			Insulation boiler
1620	75205		373E			Ø160 end piece
1625	75311		373E			Heating element cover



12_003_e

Spare parts

ID	P-code	Model	Type	Accessory	Voltage	Description
MODULE:3 ways connection						
30800	540091		373E			Ø12 mm plastic 3 ways connection
30805	11807		373E			12/22 clamp
30810	15168		373E			Rinse pipe

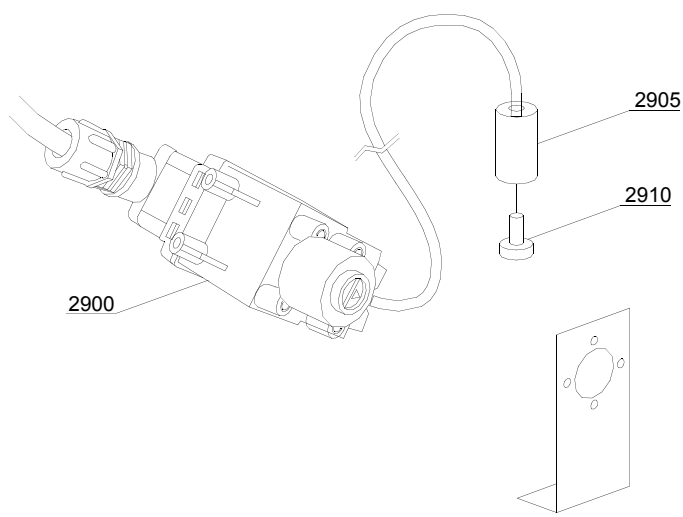
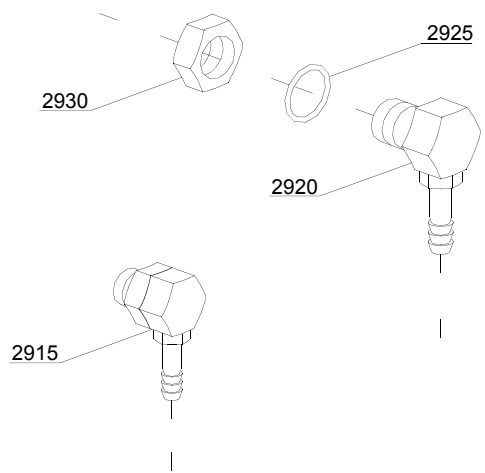


13_120_e

Spare parts

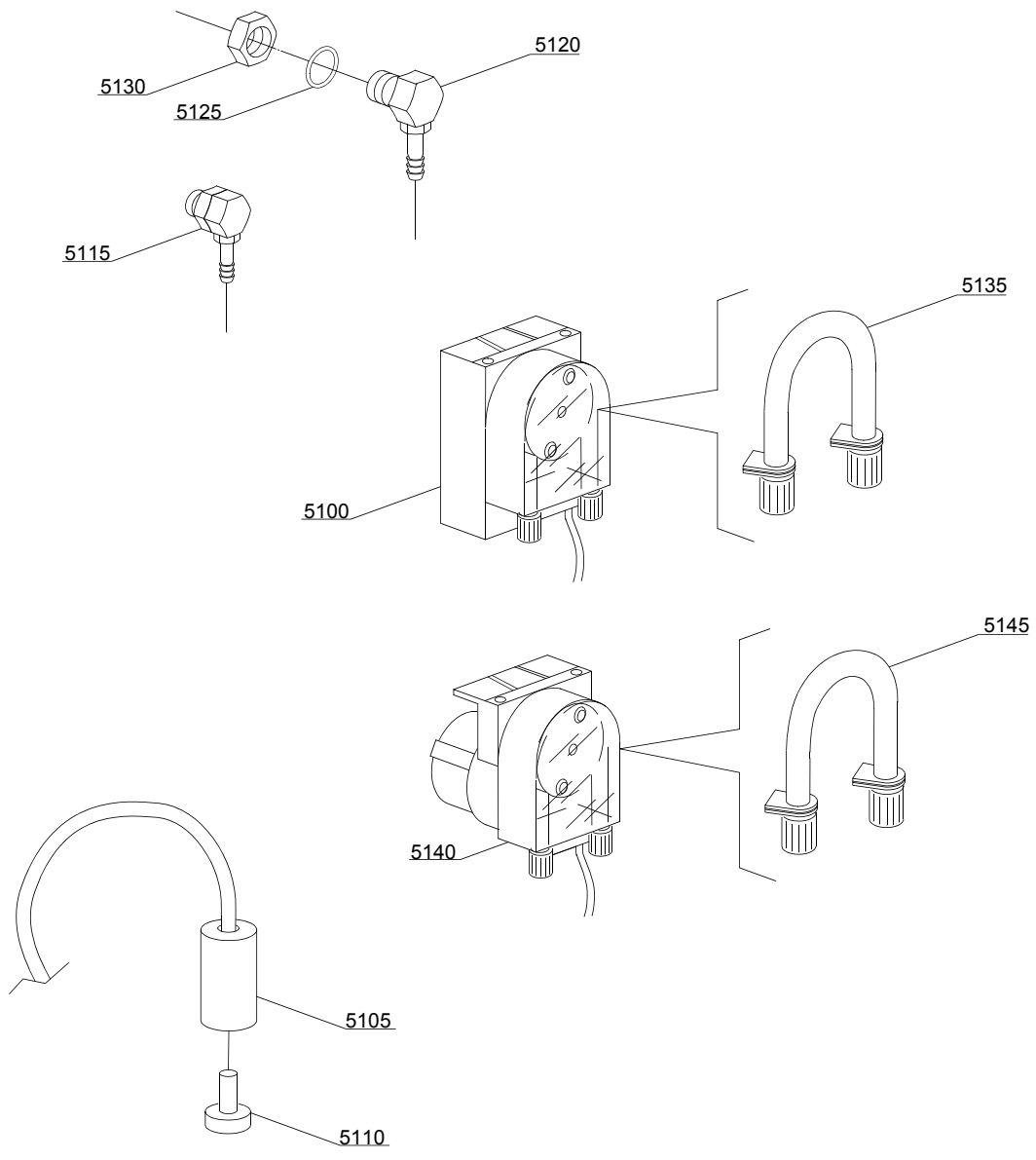
ID	P-code	Model	Type	Accessory	Voltage	Description
MODULE:Wash pump group						
30000	11600623		373E			Pump support hanger
30005	22037		373E			2Hp pump
30010	11824		373E			50/70 clamp
30015	11600100		373E			Suction pipe coupling
30020	11600101		373E			Pressure rubber hose
30025	11809		373E			30/45 clamp
30030	11600103		373E			Wash ramp
30035	15080		373E			Rotating seals
30040	10200290		373E			OR 1225 O-ring
30050	10200222		373E			Scroll

14_002_e



Spare parts

ID	P-code	Model	Type	Accessory	Voltage	Description
MODULE:Dosing detergent group						
2900	15108/L		373E	dd		Lang detergent pump
2905	12525		373E	dd		Counter-weight
2910	15058		373E	dd		Small filter
2915	15123		373E	dd		Compleat plastic injector
2920	15148		373E	dd		Steel injector
2925	15159		373E	dd		OR O-ring
2930	10200205		373E	dd		M12x1 stainless steel nut

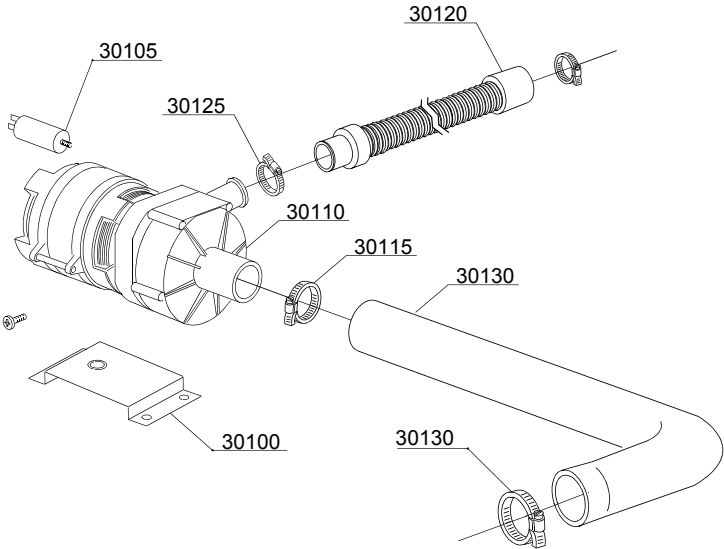


14_004_e

Spare parts

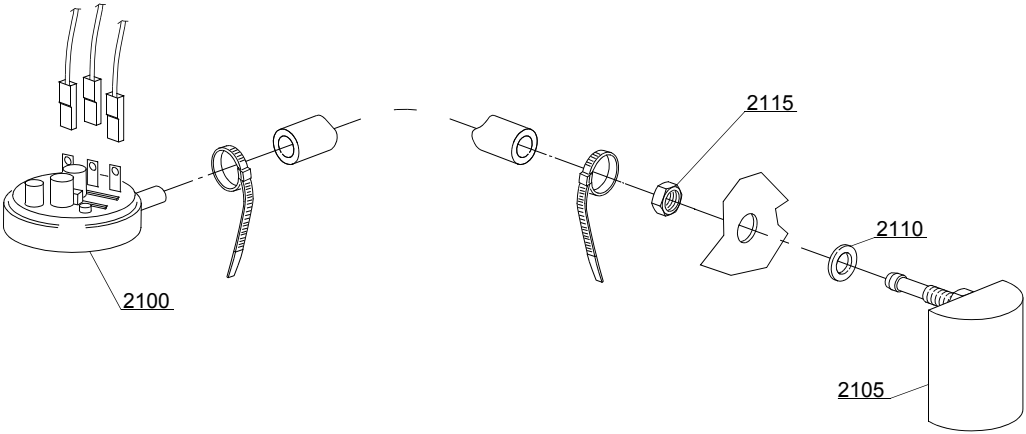
ID	P-code	Model	Type	Accessory	Voltage	Description
MODULE:Dosing detergent group						
5100	15985		373E	dd		Seko detergent pump
5105	12525		373E	dd		Counter-weight
5110	15058		373E	dd		Small filter
5115	15123		373E	dd		Complet plastic injector
5120	15148		373E	dd		Steel injector
5125	15159		373E	dd		OR O-ring
5130	10200205		373E	dd		M12x1 stainless steel nut
5135	15185		373E	dd		Seko thermoplastic pipe
5140	15985		373E	dd		Germac detergent pump
5145	15108/E		373E	dd		Germac thermoplastic pipe

15_005_e



Spare parts

ID	P-code	Model	Type	Accessory	Voltage	Description
MODULE:Drain pump group						
30100	440122		373E	dp		Pump support
30105	10702		373E	dp		5 uF condenser
30110	10501/A		373E	dp		190W 230V drain pump
30115	11806		373E	dp		25/40 clamp
30120	10727		373E	dp		Drain pipe
30125	11809		373E	dp		30/45 clamp
30130	18788		373E	dp		Drain rubber elbow



16_001_e

Spare parts

ID	P-code	Model	Type	Accessory	Voltage	Description
MODULE:Pressure switch group with air trap						
2100	88110		373E			250-40 pressure switch
2105	10911		373E			Air trap assembly
2110	13301		373E			O-ring
2115	11702		373E			M8 stainless steel nut

Spare parts

ID	P-code	Model	Type	Accessory	Voltage	Description
MODULE:Turret group with rotating arms						
30150	13304		373E			Pipe-pass O-ring
30155	12526		373E			Stainless steel nut coupling
30160	75066		373E			Top rinse pipe
30165	13003		373E			OR 112 NBR O-ring
30170	12006		373E			Ø10 rinse pipe fitting
30175	75319		373E			Rinse elbow
30180	13004		373E			OR 3137 NBR O-ring
30185	13008		373E			OR 147 NBR O-ring
30190	15042/A		373E			Nut
30195	15042		373E			1" 1/4 ring nut
30200	78001		373E			Stainless steel turret for rotor
30205	75322		373E			Top rinse axle
30210	75317		373E			Nut for wash arm bearing
30215	12006/A		373E			Ø10 pipe fitting 3/8x3,5 nut 19 hexagonal
30220	10600900		373E			Wash arm
30225	75320		373E			Wash arm bearing
30230	10651		373E			Rinse axle
30235	10650		373E			Rinse arm
30240	75918		373E			Top/lower rinse arm complete
30245	10652		373E			Rinse arm screw
30250	13316/A		373E			DVGW hole O-ring
30255	560018		373E			Stainless steel rinse nozzle
30260	560017		373E			Rinse arm plug
30265	11600033		373E			Flow reduction ring
30270	11600007		373E			Lower wash arm support
30275	11600021		373E			Lower rinse axle
30280	13015		373E			6225 OR 160 NBR O-ring
30285	500621		373E			Lower coupling
30290	10657		373E			Right rinse arm - stainless steel nozzle
30295	10658		373E			Left rinse arm - stainless steel nozzle