



## Heißluftöfen & Snackgeräte Kombi-Dämpfer

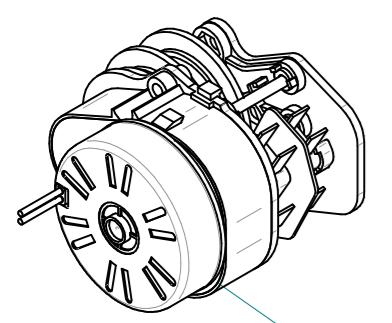
Artikel-Nr. 212024 (P914RXSD)

---

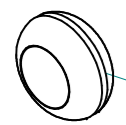
### Explosionszeichnung / Ersatzteile

---

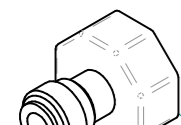
Bitte bei Ersatzteilbestellung immer Artikelnummer und Seriennummer mit angeben!



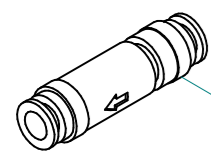
43



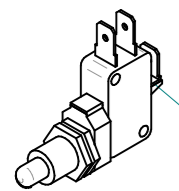
280



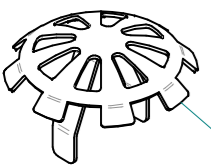
70



80



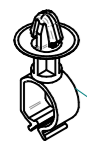
82



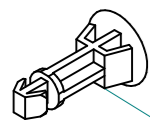
84



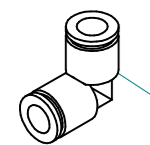
99



98



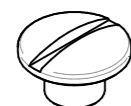
79



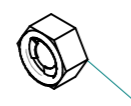
71



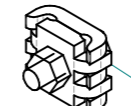
16



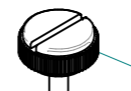
90



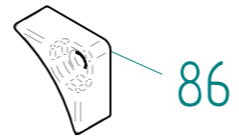
14



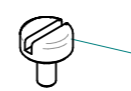
72



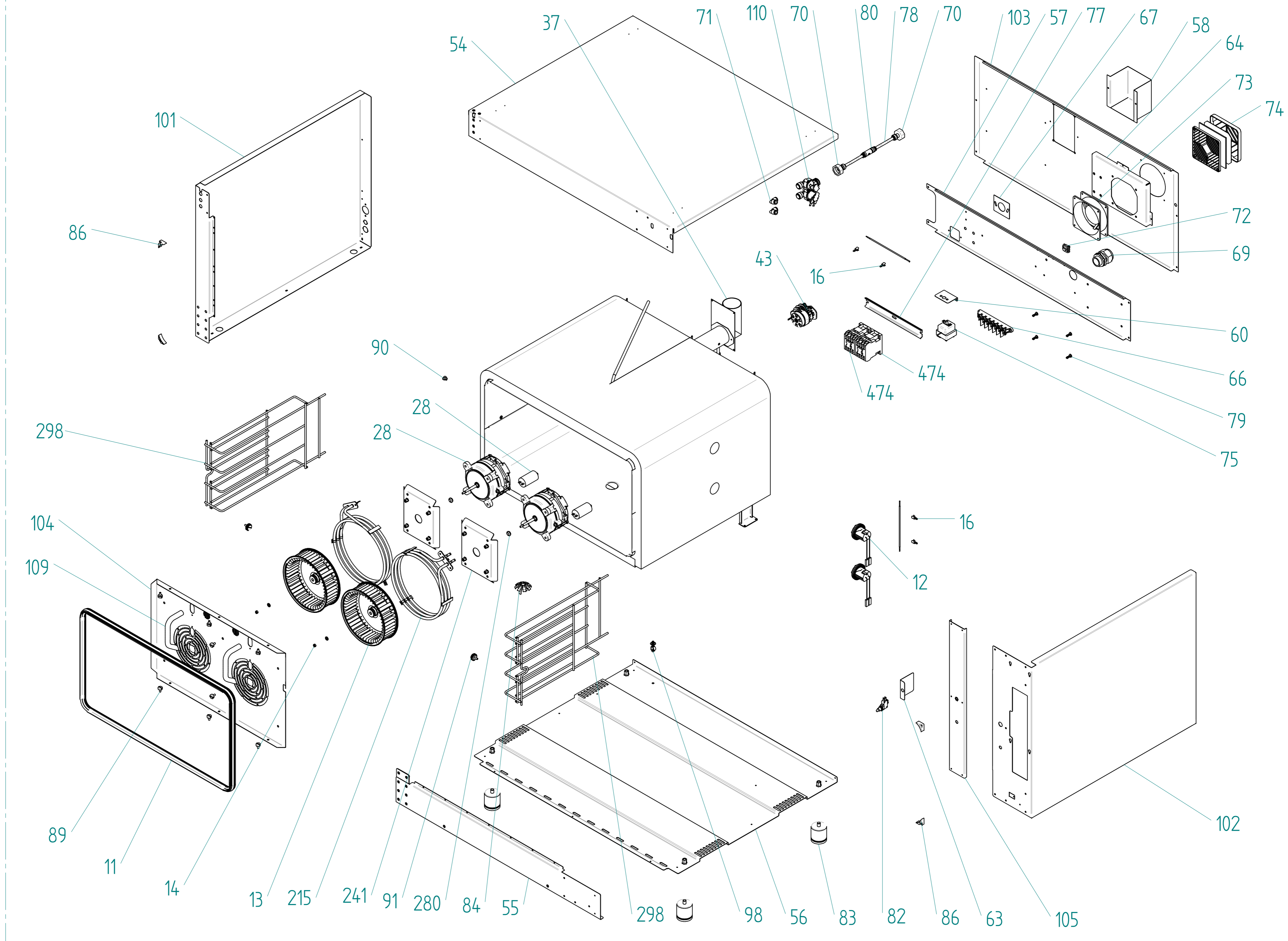
91



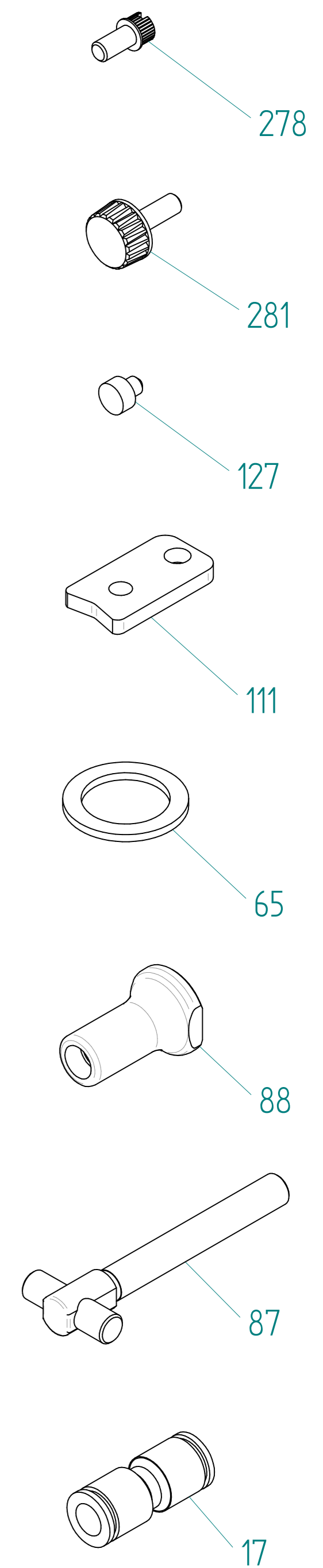
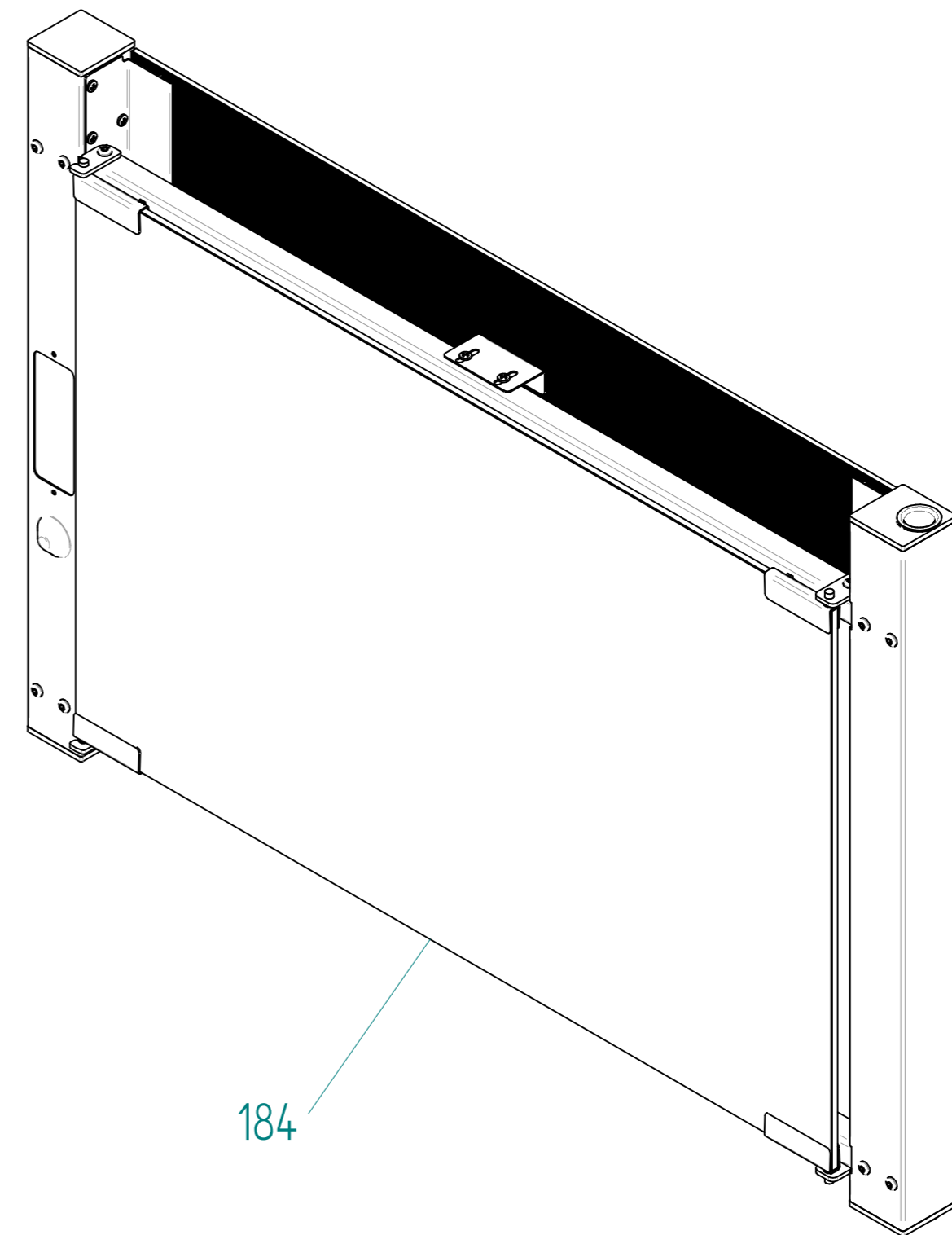
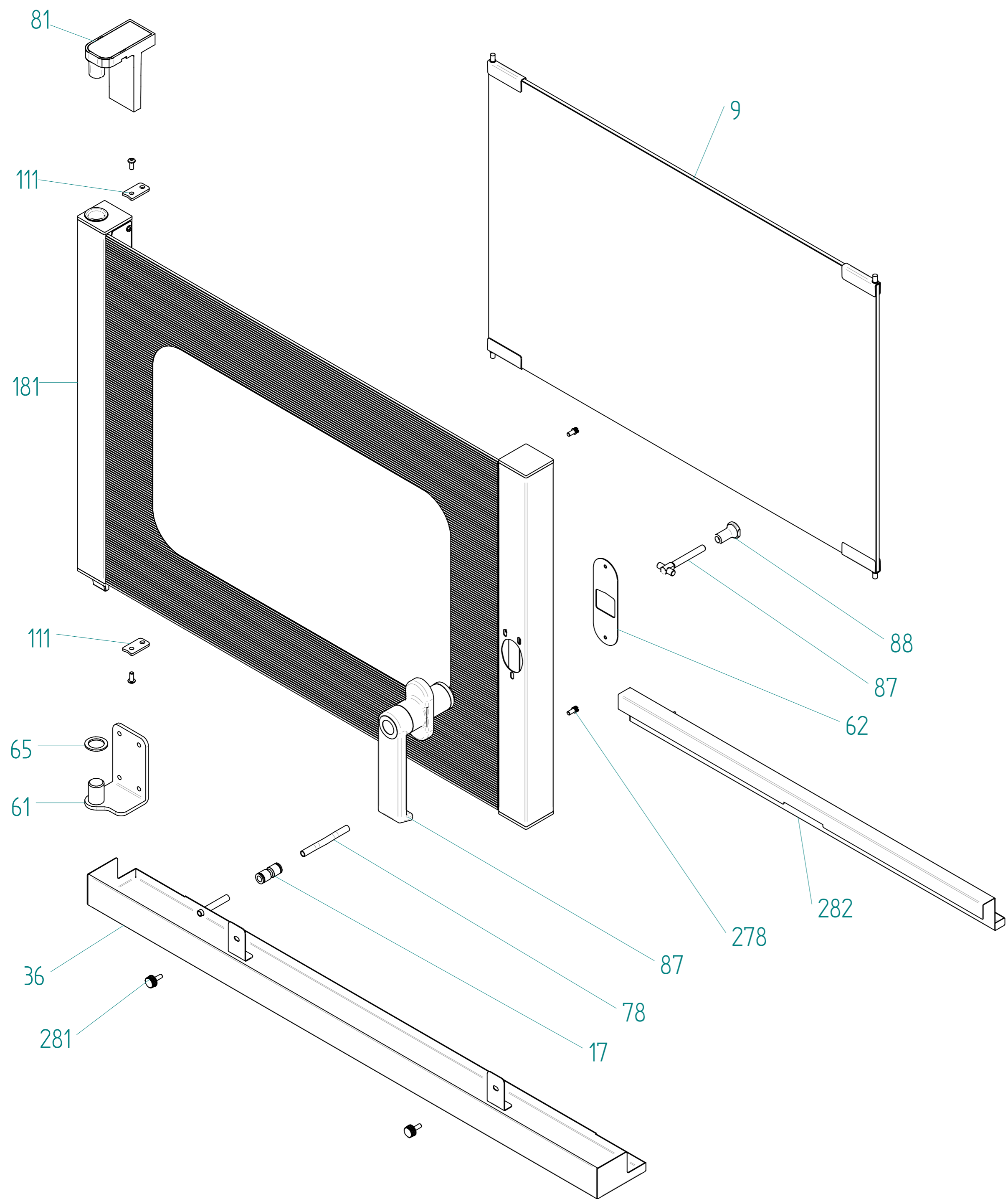
86



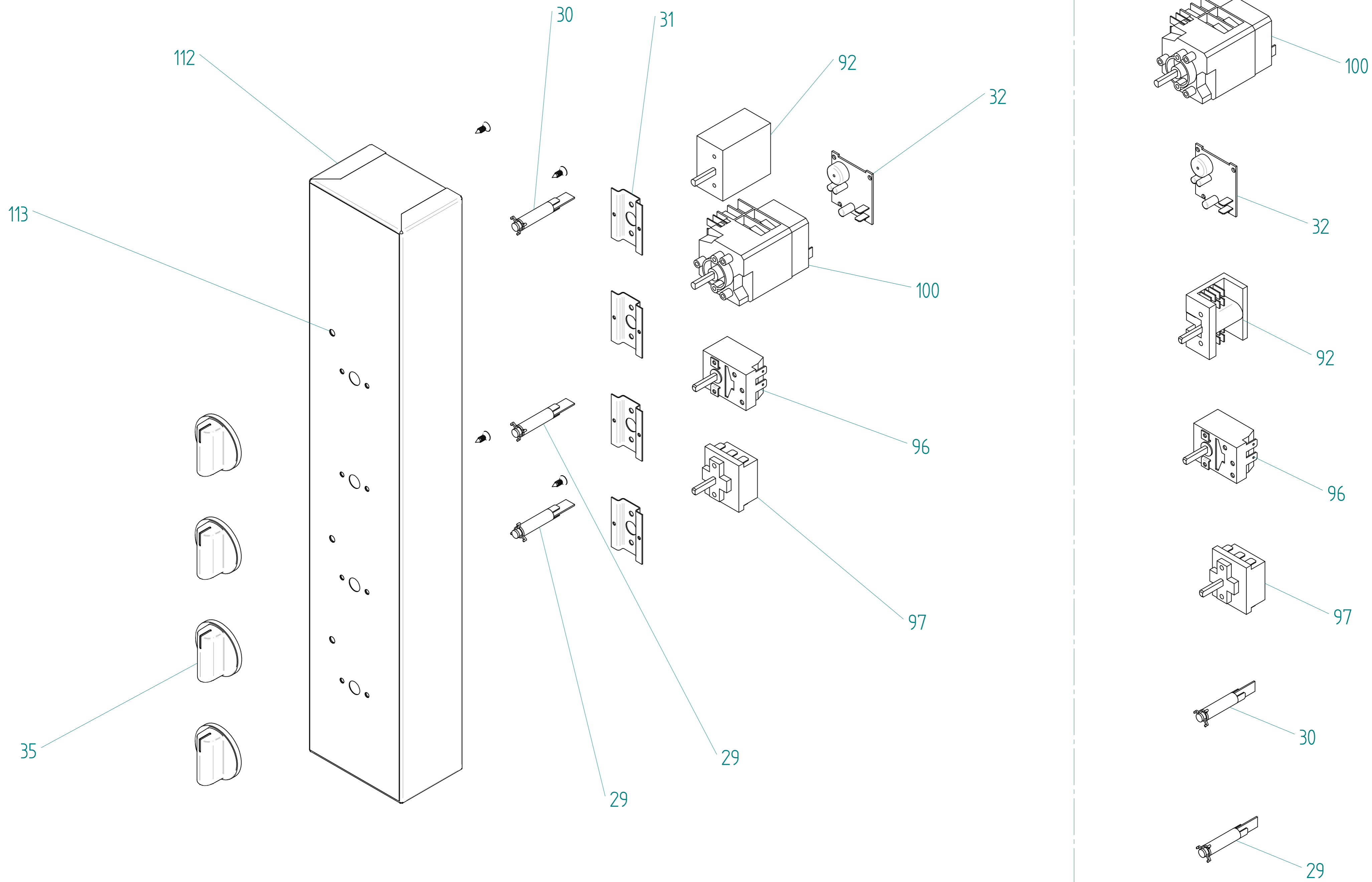
89



TITLE	ESPLOSO CORPO FORNO P914 MECCANICO CERN. PL. PIRON	DESIGNER	m.brigo
DATE OF VALIDITY	05/11/2012 - ...	OLD CODE	...
FILE	U:\DISEGNI_SEVESPLOSIV914\VP914RXS20000_A.dft	NEW CODE	P914RXS20000_A



TITLE	ESPLOSO PORTA P914 MECCANICO CER. PL. PIRON	DESIGNER	m.brigo
DATE OF VALIDITY	05/11/2012 - ...	NOTE	...
FILE	U:\DISIGNI_SE\ESPLOSI\914\914RXS20000_B.dft	NEW CODE	P914RXS20000_B



TITLE	ESPLOSO CRUSCOTTO P914 MECCANICO CER. PL. PIRON	DESIGNER	m.brigo
DATE OF VALIDITY	05/11/2012 - ...	OLD CODE	...
FILE	U:\DISEGNI_SE\ESPLOSI\914\914RXS20000_C.dft	NEW CODE	P914RXS20000_C

**LISTA DISTINTA BASE RICAMBI al: 22/03/13**

Dall'articolo: P914RXSD20001

Ditta: PIRON

All'articolo : P914RXSD20001

ARTICOLO	U.M.	DATA EV	DPR	CCA
P914RXSD20001	PZ	25/01/13	100	CPR

DISEGNO	COD RICAMBIO	DESCRIZIONE	QTA
009	VET00003	COMPLETE INTERNAL GLASS OVEN 904	1,00000
011	GUA30002	GASKET	2,20000
012	LAM30003-A	COMPLETE LAMP	2,00000
013	VEN30005	IMPELLER FAN V200X61	2,00000
014	DAD30005	NUT M5	2,00000
016	PIA30014	SUPPORT FOR SAFETY THERMOSTAT SENSOR	2,00000
017	RAC30001	STRAIGHT CONNECTOR Ø8	4,00000
020	SCH30005	POWER BOARD	1,00000
021	SCH30006	MOTOR SPPED REGULATOR BOARD	1,00000
022	FUS30001	FUSE	1,00000
023	PFU30001	FUSE SUPPORT	1,00000
024	PER30006	FIXING FOR CHIMNEY VALVE	1,00000
025	SON30002	CHAMBER TEMPERATURE PROBE	1,00000
026	MAN30015	CONTROL KNOB	4,00000
027	PRG30004	PROGRAM CAM	1,00000
028	MOT30010	MOTOR 250W	2,00000
036	VAS30008	BOX FOR WATER CONDENSATION	1,00000
038	TUB30049	EXHAUST HOT FUMES CHIMNEY	1,00000
039	PIA30063	FIXING FOR FUSE SUPPORT	1,00000
051	JAC30001	CORE PROBE JACK	1,00000
052	TAP00008	CAP FOR JACK HOLE	1,00000
054	FAC30028	TOP OVEN	1,00000
055	FAC30029	FRONT OVEN	1,00000
056	FON30096	BOTTOM OVEN	1,00000
057	SCN0000103	LOWER/REAR OF OVEN	1,00000
058	CPR0000101	PROTECTION FOR CHIMNEY	1,00000
060	PIA30062	THERMOSTAT SUPPORT	1,00000
061	CER30005	LOWER SUPPORT DOOR HINGE 715-914-916-920	1,00000
062	PIA30051	PROTECTION PLATE FOR HANDLE	1,00000
063	PIA30065	PROTECTION FOR DOOR SWITCH	1,00000
064	SUP30131	AXIAL FAN SUPPORT	1,00000
065	PIA30059	WASCHER FOR DOOR HINGE	1,00000
066	MOR30004	TERMINAL BLOCK 7 PIN	1,00000
067	PIA30064	LOCKING PLATE FOR WATER OUT	1,00000
069	PPC30003	CABLE GLAND M32X1,5 + NUT	1,00000
070	RAC30012	CONNECTOR Ø8 - 3/4"	2,00000
071	RAC30003	90° CONNECTOR Ø8	3,00000
072	MOR30001	TERMINAL BLOCK	1,00000
073	MOT30009	AXIAL FAN 22W	1,00000
074	FIL30004	AIR FILTER	1,00000
075	TER30011	THERMOSTAT DPL EGO	1,00000
077	SUP30132	DIN SUPPORT FOR CONTACTORS	1,00000
078	TUB30028	PIPE Ø8	4,80000
079	DIS30003	FITTING SPACER	4,00000

	ARTICOLO		U.M.	DATA EV	DPR	CCA
080	RAC30015	UNIDIRECTIONAL CONNECTOR Ø8				1,00000
081	CER30004	HIGHER SUPPORT DOOR HINGE (PLASTIC)				1,00000
082	PUL30006	DOOR SWITCH				1,00000
083	PIE30003	ADJUSTABLE FOOT				4,00000
084	TAP30014	CAP FOR WATER DISCHARGE				1,00000
086	TAP30013	PLASTIC CORNER				4,00000
087	MAG30019	HANDLE + HOOK 70MM				1,00000
088	PER30009	NUT FOR HANDLE HOOK				1,00000
089	VIT30042	DEFLECTOR SCREW M5				8,00000
090	VIT30055	SCREW FOR WASHING CAP				1,00000
091	VIT30001	SCREW FOR LATERAL TRAY SUPPORT				2,00000
093	SCH30003	DISPLAY/ CONTROL BOARD				1,00000
095	SCH30004	CORE PROBE PC BOARD				1,00000
098	DIS30002	CABLE CLIP				1,00000
099	RAC30016	CONNECTOR Ø8 - Ø8 + NUT				1,00000
101	FIA30051	LEFT OVEN PANEL 914				1,00000
102	FIA30052	RIGHT OVEN PANEL 914				1,00000
103	SCN0000202	HIGHER/REAR OF OVEN 914				1,00000
104	DEF30046	AIR DEFLECTOR 914				1,00000
105	PR030126	REAR SUPPORT HOOK 914				1,00000
106	CRU60096	COMMAND PANEL 914D				1,00000
107	FR030201	ESTHETIC STICKER FOR COMMAND PANEL 914D				1,00000
109	TUB30006	DEFLECTOR PIPE				2,00000
110	ELE30005	ELECTRIC VALVE - DOUBLE				1,00000
111	PIA30066	DOOR HINGE SUPPORT				2,00000
181	VET02083	COMPLETE EXTERNAL GLASS 914 RAL9005				1,00000
184	POR02083	COMPLETE DOOR OVEN 914 PIRON				1,00000
215	RES30009	HEATING ELEMENT 4500W				2,00000
241	PIA30068	MOTOR SUPPORT				2,00000
243	GUA30006	PROBE GASKET				1,00000
278	VIT30059	PLASTIC SCREW FOR INTERNAL GLASS				2,00000
280	GUA30007	MOTOR GASKET				2,00000
281	VIT30060	PLASTIC SCREW M5x15				2,00000
282	VAS30003	INNER GLASS WATER COLLECTOR				1,00000
298	GRI30002	LATERAL TRAYS SUPPORT 4T				2,00000
441	PIA30075	DISH FOR OPTICAL ENCODER				1,00000
442	DIS30006	SPACER FOR OPTICAL ENCODER				1,00000
468	DIS30008	SPACER FOR ENCODER MIRROR				1,00000
474	TEL30005	CONTACTOR				2,00000