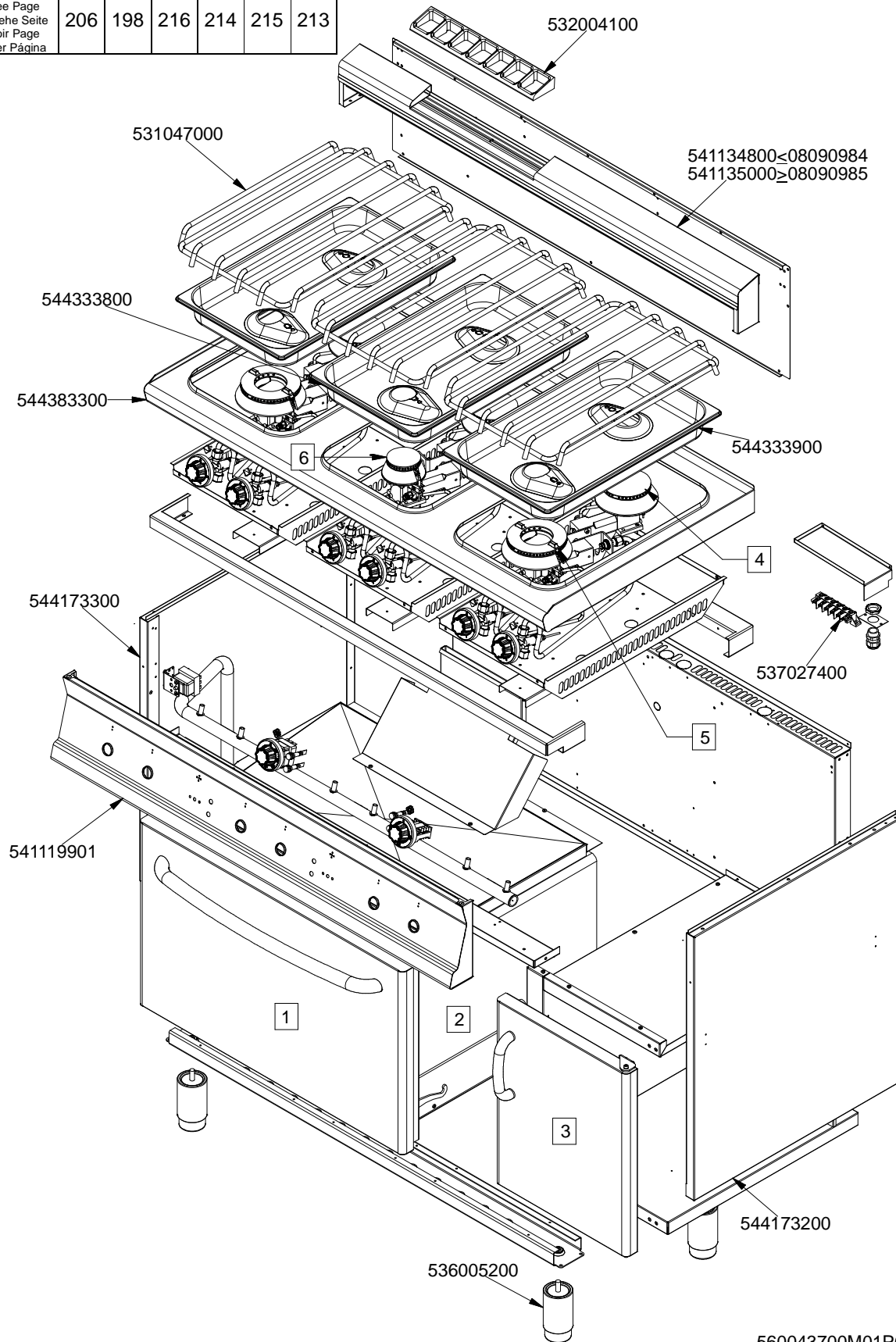


**SUPERLOTUS 70≥0602**  
**CUCINE / RANGES / HERDE / CUISINIÈRES**  
 CF...6-712

**CF6-712GPEV**

	1	2	3	4	5	6
Vedi Pagina See Page Siehe Seite Voir Page Ver Pàgina	206	198	216	214	215	213



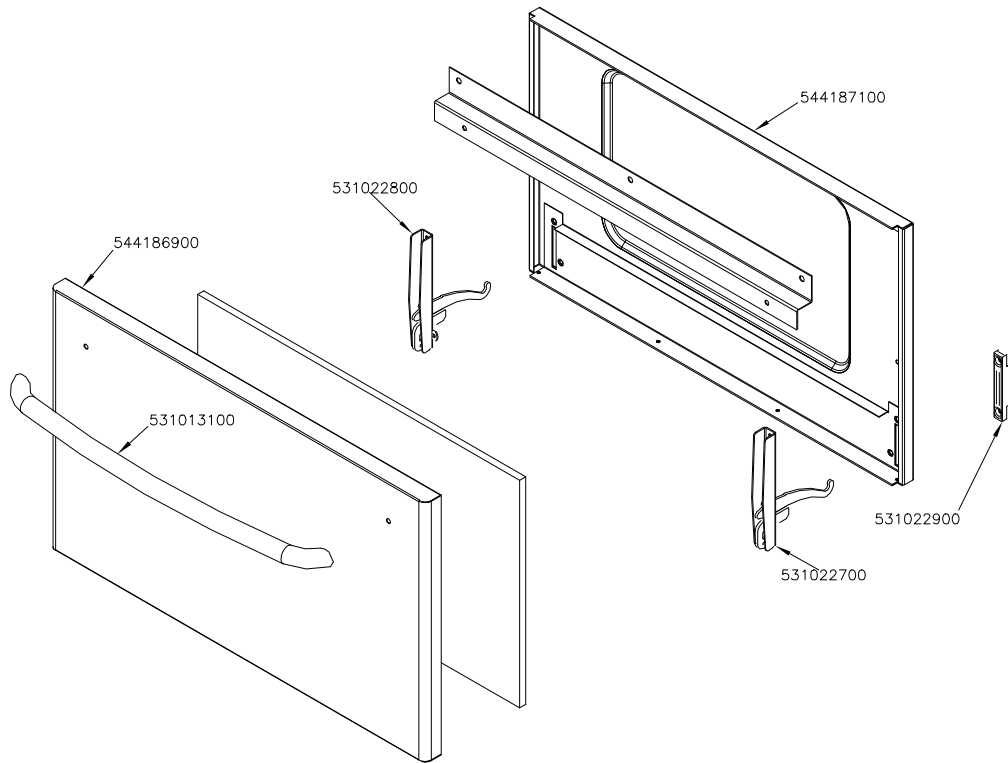
560043700M01P00.

# SUPERLOTUS 70≥0602

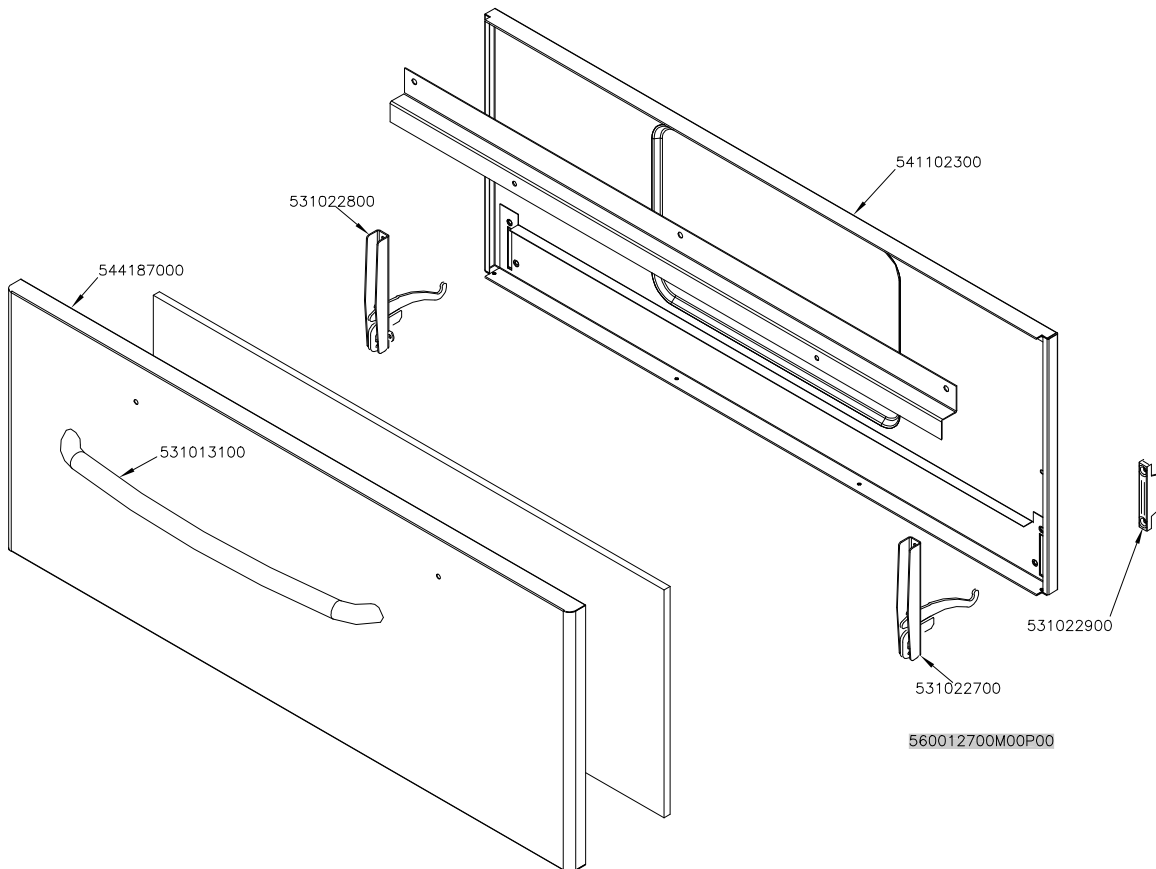
CUCINE / RANGES / HERDE / CUISINIÈRES  
FORNO / OVEN / BACKOFEN / FOUR

## PORTE / DOORS / TÜREN / PORTES

GN 2/1



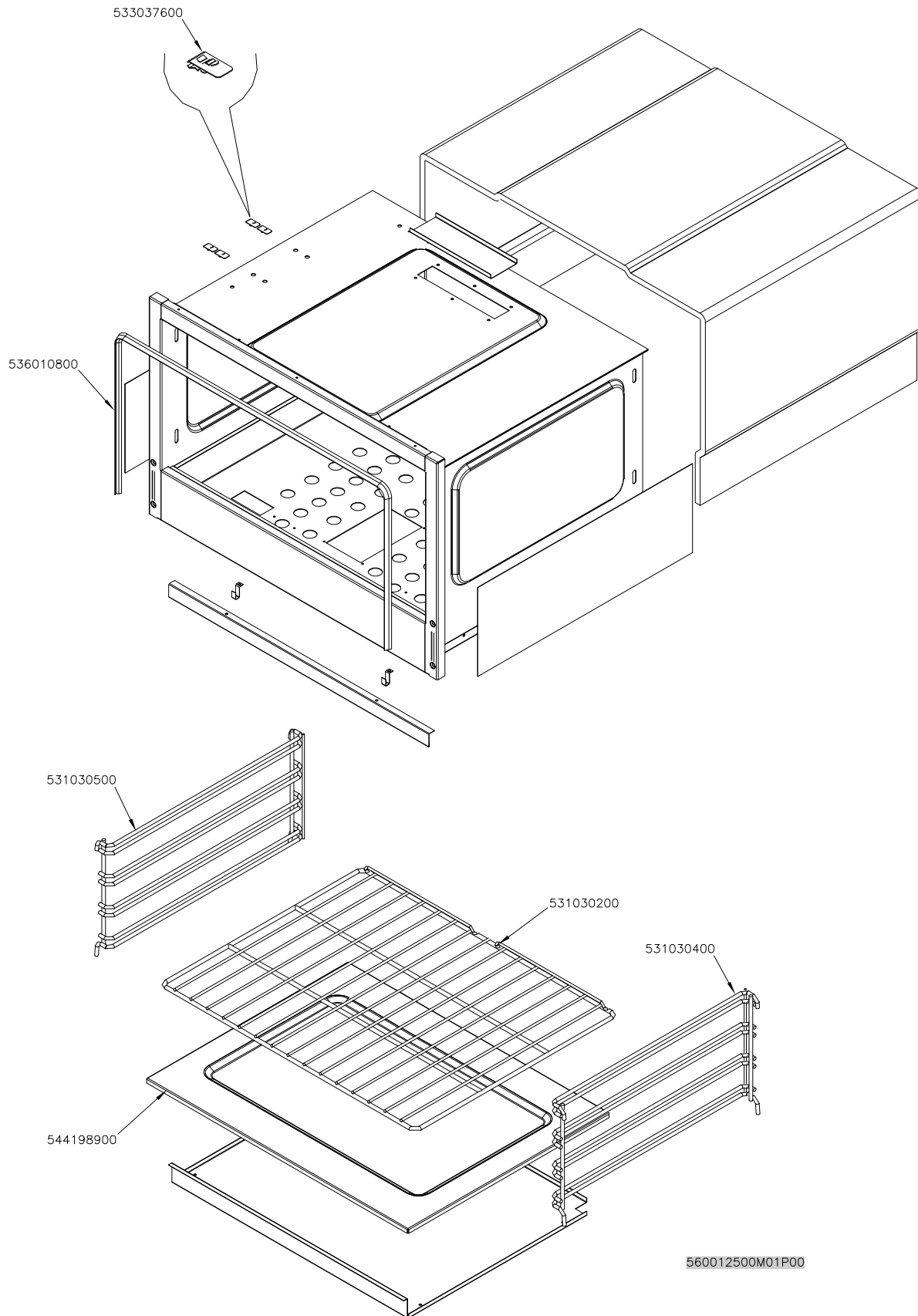
GN 3/1



# SUPERLOTUS 70≥0602

CUCINE / RANGES / HERDE / CUISINIÈRES  
FORNO / OVEN / BACKOFEN / FOUR

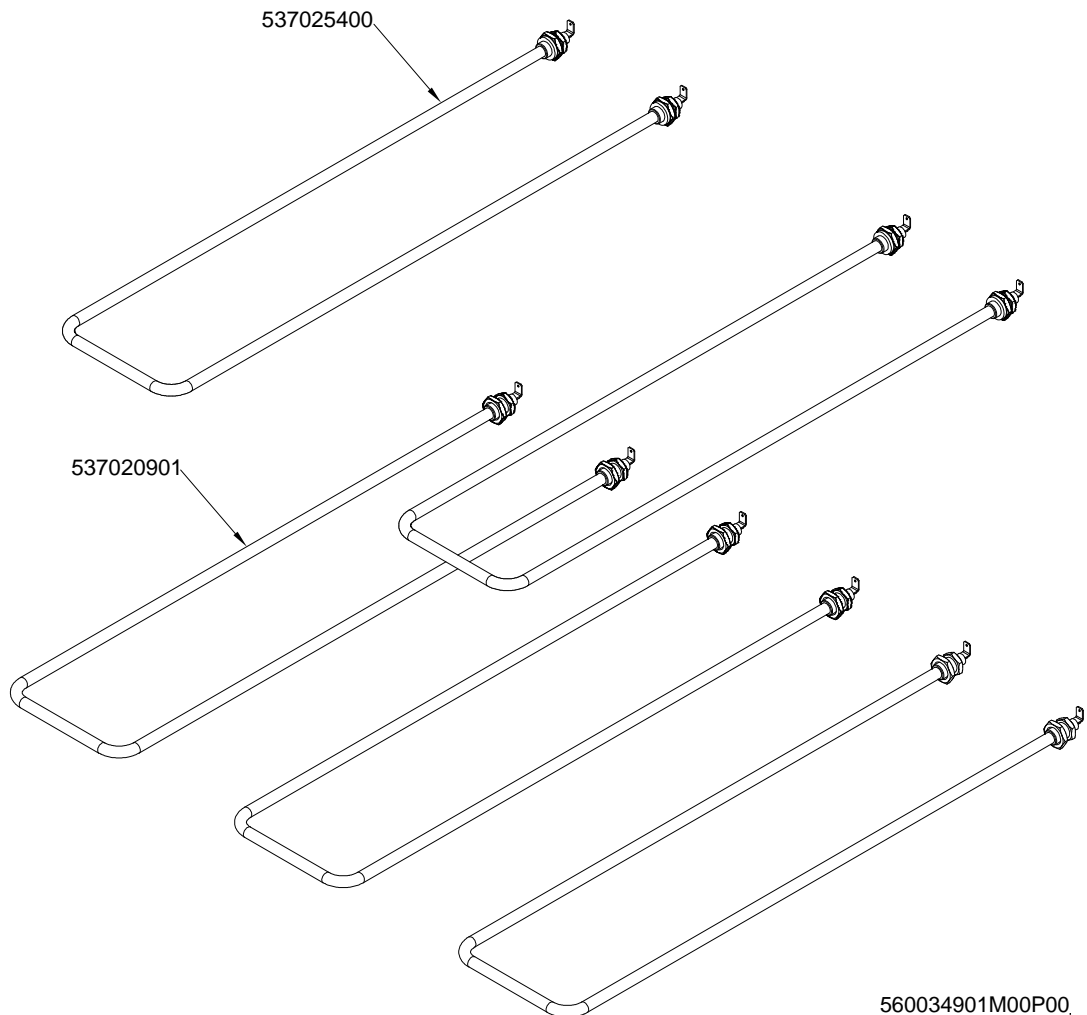
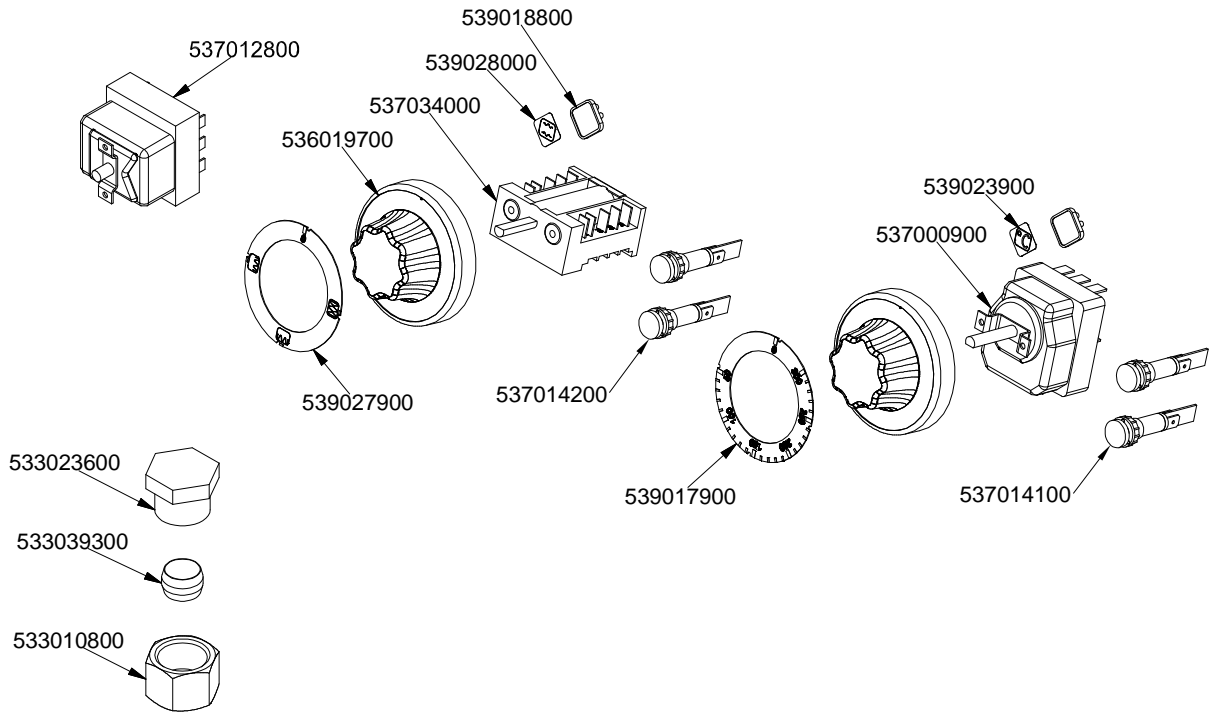
ELETTRICO / ELECTRICAL / ELEKTRO / ELECTRIQUE / GN 2/1



# SUPERLOTUS 70≥0602

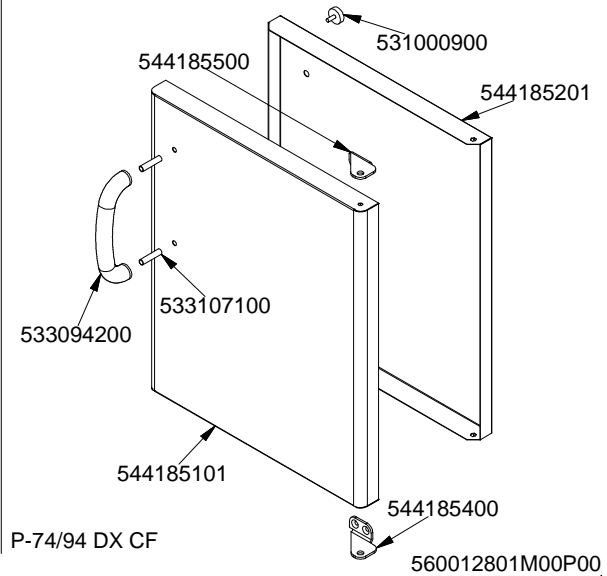
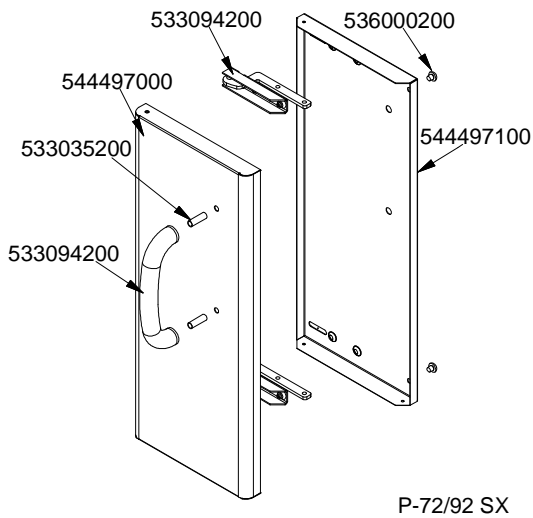
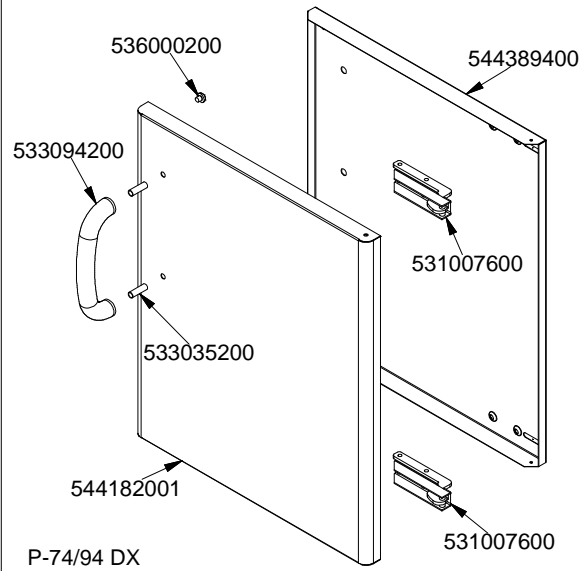
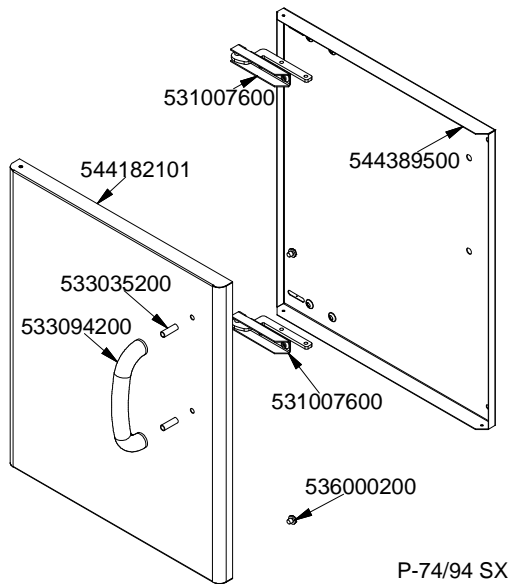
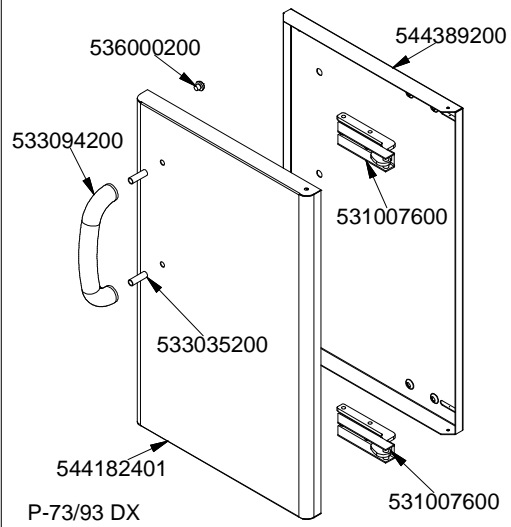
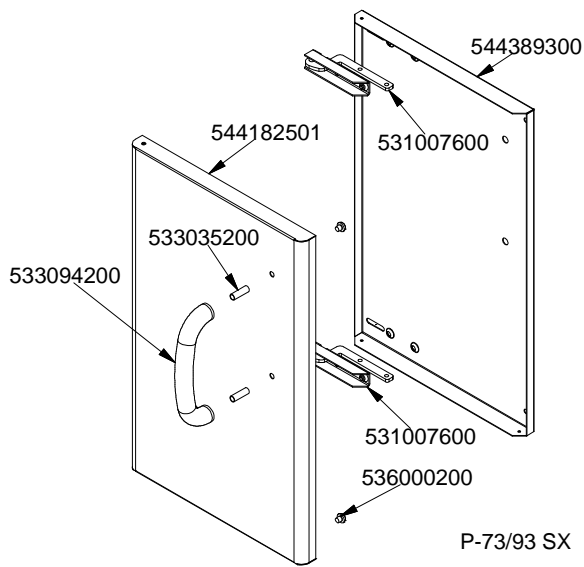
CUCINE / RANGES / HERDE / CUISINIÈRES  
FORNO / OVEN / BACKOFEN / FOUR

ELETTRICO / ELECTRICAL / ELEKTRO / ELECTRIQUE / GN 2/1

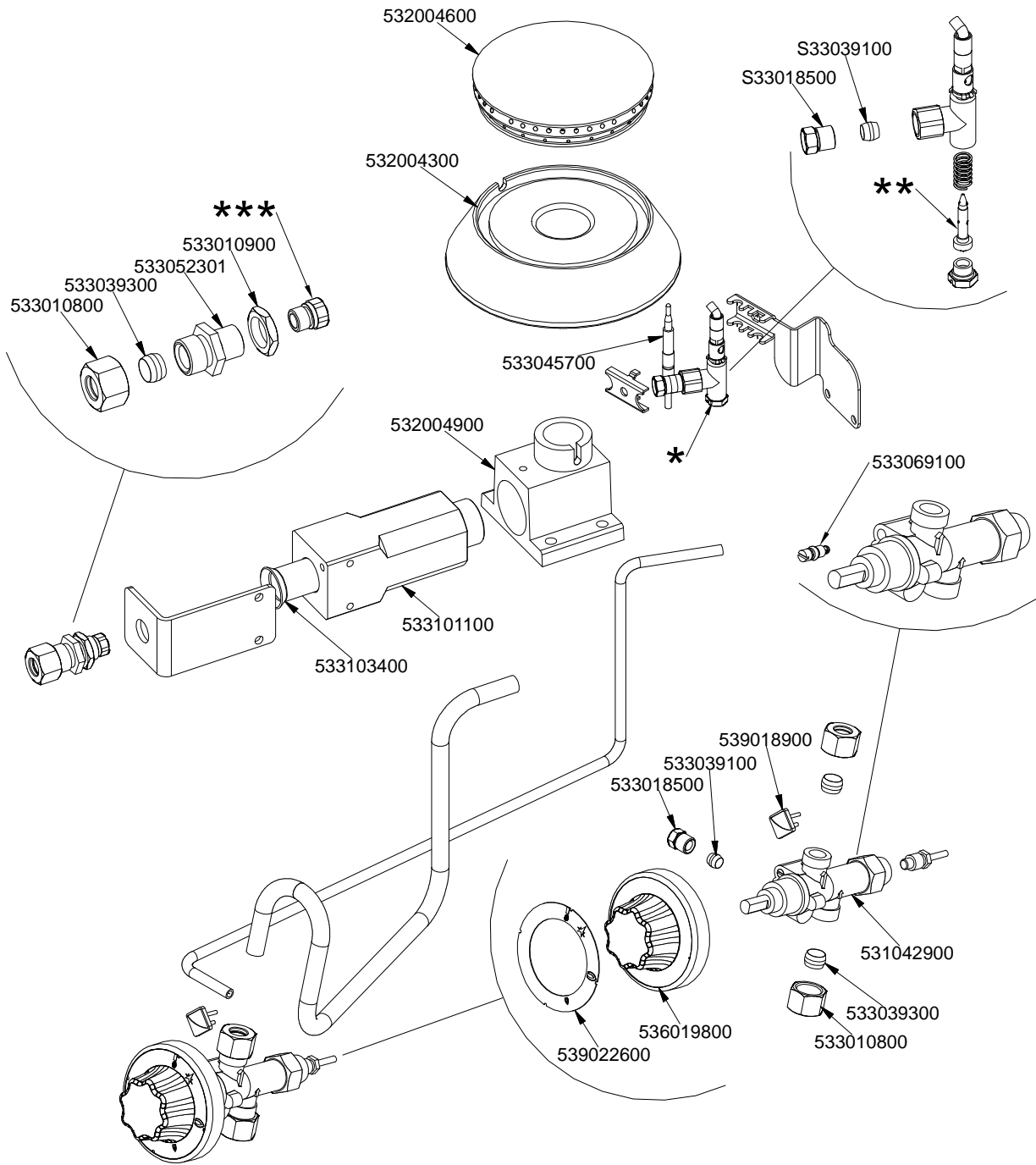


560034901M00P00

**PORTE / DOORS / FLÜGELÜREN / PORTES**



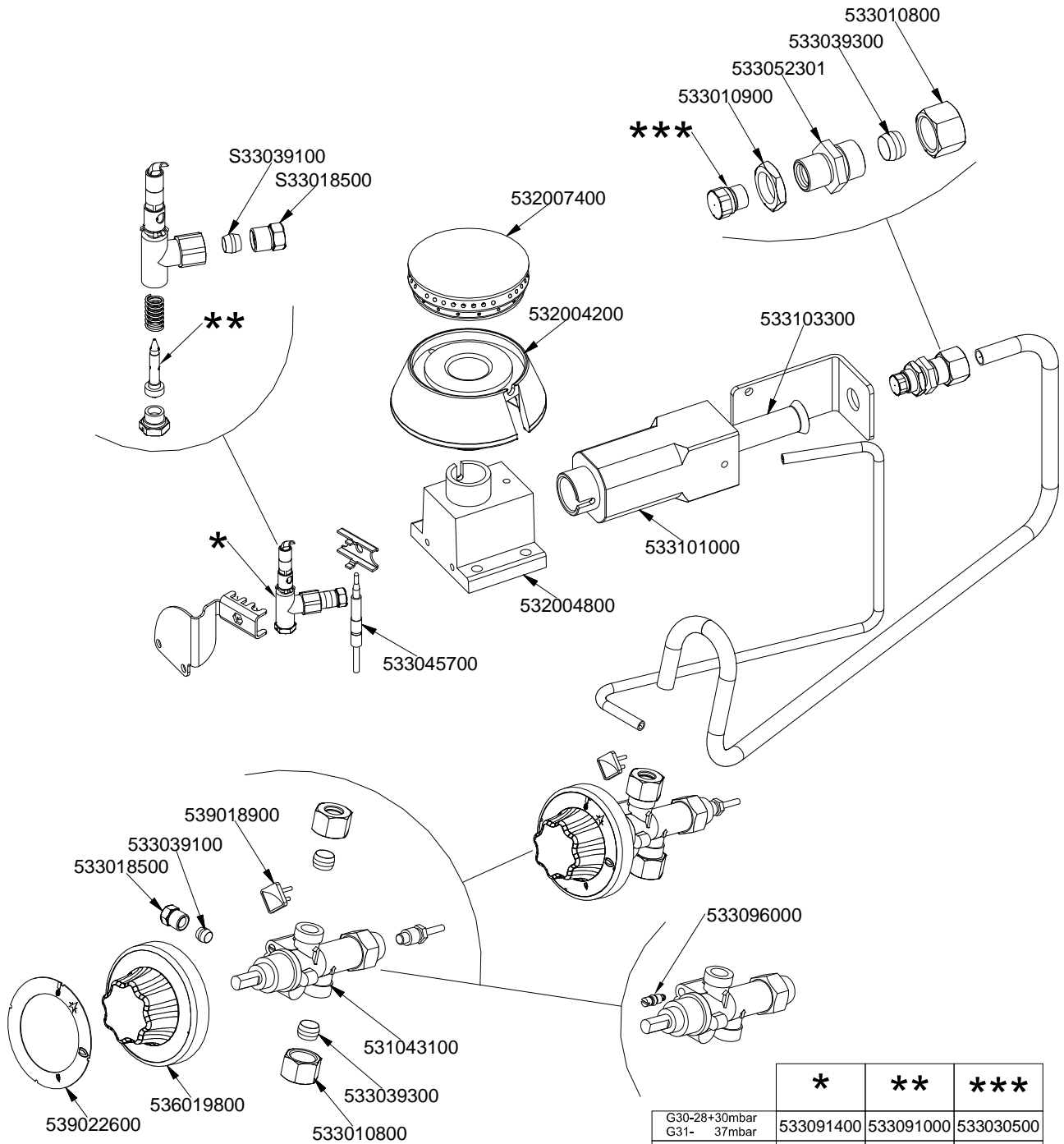
**PC-G R**



	*	**	***
G30-28+30mbar G31- 37mbar	533091400	533091000	533043900
G30- 50mbar	533091400	533091000	533019300
G20- 20mbar G25- 25mbar	533091500	533091200	533031000
G20- 20mbar DE-AT	533091500	533091200	533031000
G25- 20mbar	533091500	533091200	533043500
G25- 25mbar NL	533091500	533091200	533019400

560038600M00P00

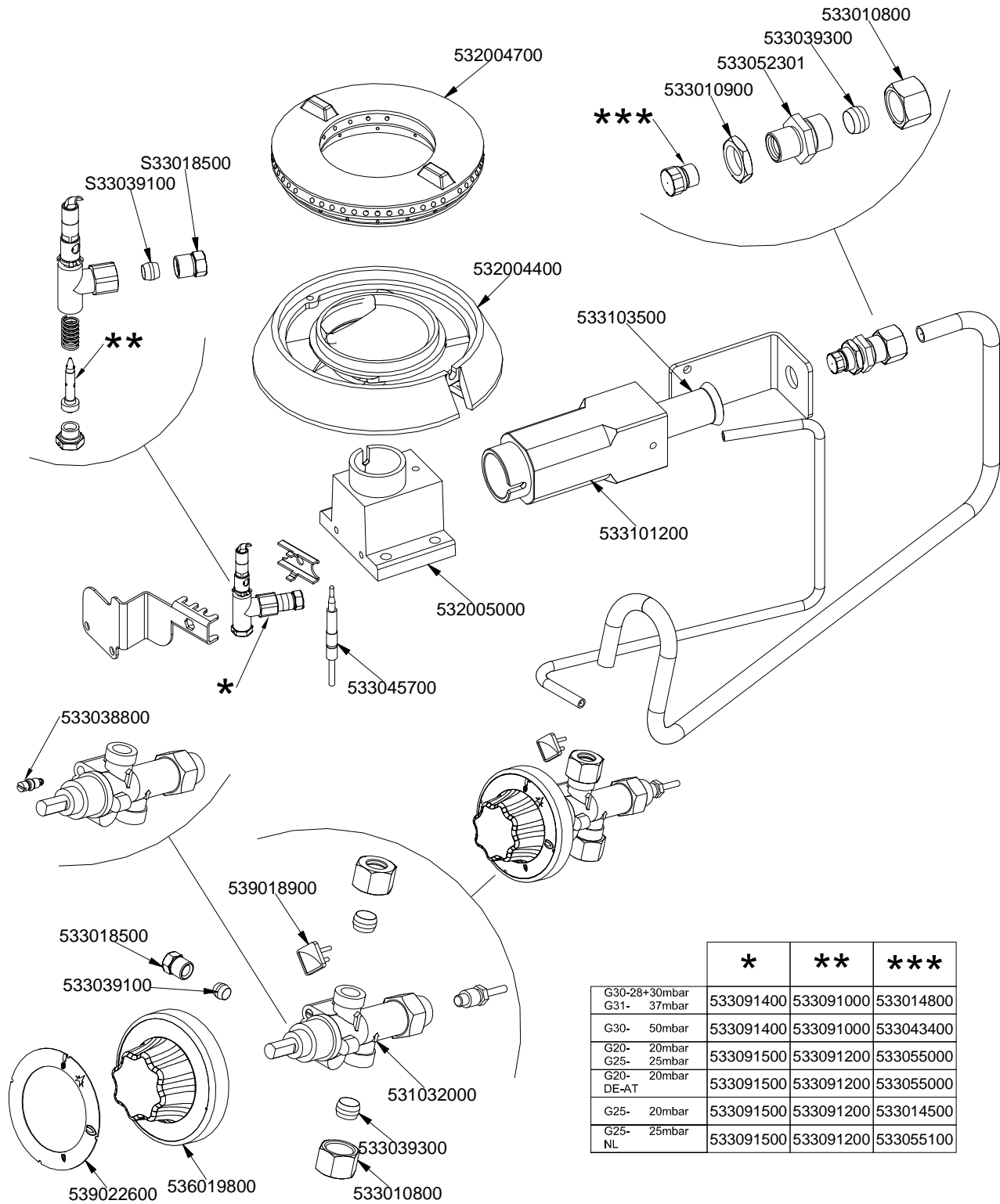
**PC-G SR**



	<b>*</b>	<b>**</b>	<b>***</b>
G30-28+30mbar G31- 37mbar	533091400	533091000	533030500
G30- 50mbar	533091400	533091000	533015100
G20- 20mbar G25- 25mbar	533091500	533091200	533015200
G20- 20mbar DE-AT	533091500	533091200	533015200
G25- 20mbar	533091500	533091200	533030800
G25- 25mbar NL	533091500	533091200	533014900
G20- 25mbar	533091500	533091200	533014800

560038500M00P00

**PC-G UR**



	*	**	***
G30-28+30mbar G31- 37mbar	533091400	533091000	533014800
G30- 50mbar	533091400	533091000	533043400
G20- 20mbar G25- 25mbar	533091500	533091200	533055000
G20- 20mbar DE-AT	533091500	533091200	533055000
G25- 20mbar	533091500	533091200	533014500
G25- 25mbar NL	533091500	533091200	533055100

560038700M00P00.



Page	Pos	Code	Description
001		532004100	FLUE GRID L=370 70LINE (RAF)
001		531047000	2 BURNER GRID FOR PC-700
001		541134800	LOW SPACER 712 - GRID
001		541135000	LOW SPACER 712 1 LHD GRID
001		544333800	BURNER CONTAINER 1/1GN R 304
001		544383300	UPPER PLATE PC-712GP CF6-7128GP/GPE
001		544333900	BURNER CONTAINER 1/1GN R 304
001		544173300	LEFT SIDE PANEL RANGE S.70
001		537027400	TERMINAL BLOCK THREEPHASE 40A
001		541119901	CONTROL PANEL S70/90 CF6-912G/GE
001		544173200	RIGHT SIDE PANEL RANGE S.70
001		536005200	INOX LEG 2" 120-180 M10
002		531013100	OVEN DOOR HANDLE OF 70/90-LINE
002		544186900	OVEN DOOR GN 2/1 S.70
002		531022800	LEFT OVEN DOOR HINGE S.70
002		544187100	OVEN INNER DOOR GN 2/1 S.70
002		531022900	HINGE DOOR WHEEL HOLDER S.70
002		531022700	RIGHT OVEN DOOR HINGE 70LINE
002		544187000	OVEN DOOR GN 3/1 S.70
002		541102300	GAS OVEN INNER DOOR GN 3/1 S.70
003		533037600	LOCK SPRING FOR BULB
003		536010800	OVEN GASKET GN 2/1 (1261)
003		531030500	LHD SUPPORT GRID FOR OVEN OF 70LINE
003		544198900	70 ELECTRICAL OVEN BOTTOM GN2/1
003		531030200	OVEN GRID GN 2/1 FOR 70 LINE
003		531030400	RHD SUPPORT GRID FOR OVEN OF 70LINE
004		537012800	SAFETY THERMOSTAT 420°C THREEPHASE
004		539018800	INDEX FOR OVEN KNOB
004		539028000	SELECTOR SIGN PLATE FOR OVEN
004		537034000	
004		536019700	BLACK KNOB §70 PIN §6*5
004		539023900	SIGN PLATE FOR OVEN TEMPERATURE
004		537000900	THERMOSTAT 50-320°C THREEPHASE
004		539027900	ADHESIV.GRADUATED DISC FOR SELECTOR
004		537014200	GREEN WARNING LIGHT 250V
004		539017900	ADHESIVE GRADUATED DISC FOR KNOB
004		537014100	WHITE WARNING LIGHT 250V
004		533023600	TAP PLUG §10 M16*1, 5CH19
004		533039300	BICONE §10
004		533010800	TUBE NUT D.10 M16*1,5
004		537025400	OVEN UPPER HEAT.EL.W700 V230 70LINE
004		537020901	HEATING ELEMENT 1200W 230V OVEN S70
005		544389300	
005		531007600	DOOR HINGE
005		544182501	LEFT DOOR 73
005		533035200	
005		533094200	S/S HANDLE FOR 70/90 SERIES
005		536000200	D.12 H.4 BUMPER
005		544389200	
005		544182401	RIGHT DOOR 73
005		544389500	INNER-DOOR OF LHD 74

Page	Pos	Code	Description
005		544182101	LEFT DOOR 74
005		544389400	
005		544182001	RIGHT DOOR 74
005		544497100	
005		544497000	
005		531000900	MAGNET §22 KG.3 WITH DISK
005		544185500	UPPER DOOR HINGE FOR COMPARTME CF70
005		544185201	
005		533107100	
005		544185101	RIGHT DOOR 74 CF
005		544185400	LOWER DOOR HINGE FOR COMPARTME CF70
006		S33039100	
006		S33018500	
006		532004600	BURNER COVER RING R D104
006		532004300	MIDDLE BURNER BODY 70LINE P.
006		533010900	NUT M14*1 H.4
006		533052301	JOINT FOR NOZZLE HOLDER
006		533039300	BICONE §10
006		533010800	TUBE NUT D.10 M16*1,5
006		533045700	THERMOCOUPLE M9*1 500
006		532004900	ELBOW FITTING OF BURNER VENTURI R
006		533069100	BY PASS COCK §60 20S
006		533101100	BURNER VENTURI R
006		533103400	AIR ADJUSTMENT BUSHING D20 EST.H57
006		539018900	INDEX FOR KNOB
006		533039100	BICONE §6
006		533018500	FITTING FOR BICONE D.6 M10*1
006		531042900	B.PASS §60 SAFETY COCK PC/CF 90
006		536019800	BLACK KNOB §70 PIN §8*6,5
006		539022600	GRADUATED STICKER FOR KNOB
006		533091400	P.NOZZLE S100 UG.§20 PC90 LPG-FLUS
006		533091000	NOZZLE 0.100 §20
006		533043900	NOZZLE §115 CH12*14 F-CW4
006		533019300	NOZZLE §100 G-FQ5 F-CW
006		533091500	PILOT NOZZLE S.100 §30 PC90 NAT.GAS
006		533091200	PILOT NOZZLE 0100 Ø35 PIL.PC
006		533031000	NOZZLE §175 CH12X14
006		533043500	NOZZLE §190 CH12*14 G25 PC4R
006		533019400	NOZZLE §180 CH12*14 L-FQ5
007		533010800	TUBE NUT D.10 M16*1,5
007		533039300	BICONE §10
007		533052301	JOINT FOR NOZZLE HOLDER
007		533010900	NUT M14*1 H.4
007		S33039100	
007		S33018500	
007		532007400	
007		532004200	SMALL BURNER BODY 70LINE P.
007		533103300	AIR ADJUSTMENT BUSHING D16 EST.H57
007		533101000	BURNER VENTURI SR
007		532004800	ELBOW FITTING OF BURNER VENTURI SR
007		533045700	THERMOCOUPLE M9*1 500

Page	Pos	Code	Description
007		533096000	§50 BY-PASS COCK 20S-21S
007		539018900	INDEX FOR KNOB
007		533039100	BICONE §6
007		533018500	FITTING FOR BICONE D.6 M10*1
007		531043100	B.PASS §50 SAFETY COCK PC/CF 70
007		536019800	BLACK KNOB §70 PIN §8*6,5
007		539022600	GRADUATED STICKER FOR KNOB
007		533091400	P.NOZZLE S100 UG.§20 PC90 LPG-FLUS
007		533091000	NOZZLE 0.100 §20
007		533030500	NOZZLE §90 CH12X14 G30/CE
007		533015100	NOZZLE §80 CH12*14 F-FP/CP6
007		533091500	PILOT NOZZLE S.100 §30 PC90 NAT.GAS
007		533091200	PILOT NOZZLE 0100 Ø35 PIL.PC
007		533015200	NOZZLE §145 CH12*14 F-FP/CP6
007		533030800	NOZZLE §155 CH12X14 M-CW
007		533014900	NOZZLE §150 CH12*14 F-FQ5 L-FQ6
007		533014800	NOZZLE §135 CH12*14,0
008		533010800	TUBE NUT D.10 M16*1,5
008		533039300	BICONE §10
008		532004700	BURNER COVER RING UR D128
008		533010900	NUT M14*1 H.4
008		533052301	JOINT FOR NOZZLE HOLDER
008		533018500	
008		533039100	
008		532004400	BIG BURNER BODY 70LINE P.
008		533103500	AIR ADJUSTMENT BUSHING D22 EST.H57
008		533101200	BURNER VENTURI UR
008		532005000	ELBOW FITTING OF BURNER VENTURI UR
008		533045700	THERMOCOUPLE M9*1 500
008		533038800	75 BY-PASS FOR 21S TAP
008		539018900	INDEX FOR KNOB
008		533018500	FITTING FOR BICONE D.6 M10*1
008		533039100	BICONE §6
008		531032000	GAS COCK P.V.BY-PASS Ø075
008		536019800	BLACK KNOB §70 PIN §8*6,5
008		539022600	GRADUATED STICKER FOR KNOB
008		533091400	P.NOZZLE S100 UG.§20 PC90 LPG-FLUS
008		533091000	NOZZLE 0.100 §20
008		533014800	NOZZLE §135 CH12*14,0
008		533043400	NOZZLE §117 CH12*14 G-PC4 UR
008		533091500	PILOT NOZZLE S.100 §30 PC90 NAT.GAS
008		533091200	PILOT NOZZLE 0100 Ø35 PIL.PC
008		533055000	NOZZLE §205 CH12*14 G25 CW4
008		533014500	NOZZLE §225 CH12*14 OVEN GN 2/1
008		533055100	NOZZLE §215 CH12*14 L-CW4