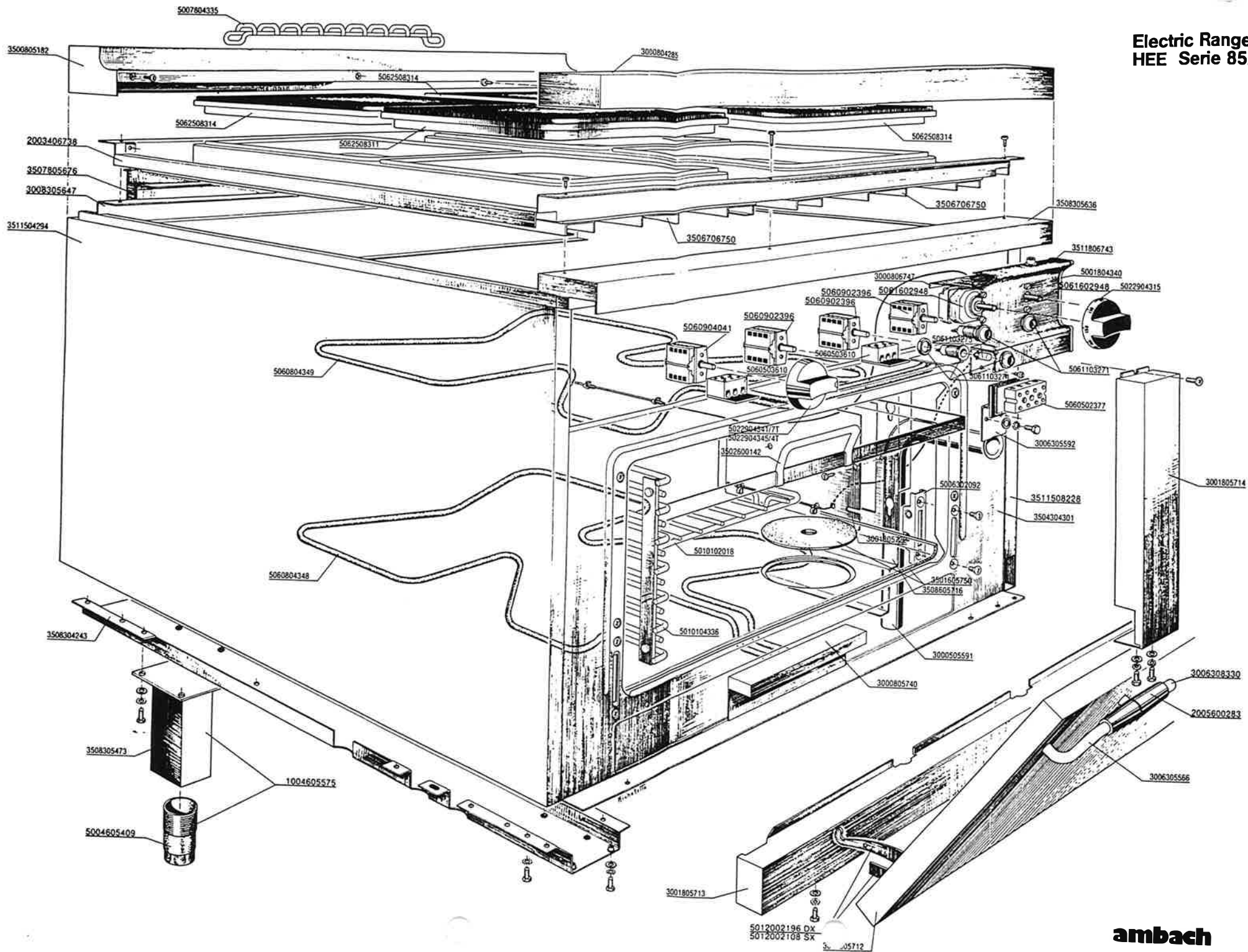


Electric Ranges
HEE Serie 85/90



	ERSATZTEILLISTE	LISTA PARTICOLARI	LIST OF PARTS	LIST DES COMPOSANTS	26.07.91
	0103206665	ELEKTROHERD 4 PL.	CUCINA ELETTRICA	ELECTRIC RANGE	CUISINIERE ELECT. HEE/81 PAG. 1
COD.	BESCHREIBUNG	DESCRIZIONE	DESCRIPTION	DESCRIPTION	QUANT.
1013506502	KABELSATZ	IMPIANTO CAVI ELT.	WIRING SYSTEM	INSTAL.CABLES ELEC.	HEE/81 1
2003406738	EINFASSUNG	PIANO DI COTTURA	HOB	PLAN DE CUISSON	HE/81 1
2005600283	GRIFF BACKROHRTÜR	MANIGLIA PORTINA	DOOR HANDLE	POIGNEE PORTE	BG/PE/85 1
3000505591	ROHR E-ANSCHLUSS	TUBO ATTACCO ELT.	ELEC.CONNECT.TUBE	TUYAU ARRIVEE ELEC	BE/85 1
3000800229	ABDECKUNG KABELSCH.	PROTEZIONE CAVI	WIRING PROTECTION	PROTECTION CABLES	UBE/80 1
3000804285	ABDECKUNG EINFASS.	CRUSCOTTO PIANO	HOB PANEL	TABLEAU PLAN	G/80 1
3000804292	ABDECKUNG SEITE L.	CRUSCOTTO LATER.S.	PANEL LH SIDE	TABLEAU COTE GAUCH.	G/85 1
3000805063	ABDECKUNG SCHALT.L.	PROTEZIONE PANN.S.	PROTECTION LH PAN.	PROTECTION PANN.G.	G/85 1
3000805740	ABDECKUNG E-ANSCHL.	PROTEZIONE ELETTR.	ELEC. PROTECTION	PROTECTION ELECTR.	BE/85 1
3000806747	ABDECKUNG SCHALTER	PROTEZIONE COMMUT.	SWITCH COVER	PROTECTION COMMUT.	HE/81 1
3000808271	ABDECKUNG SEITE R.	CRUSCOTTO LATER.D.	PANEL RH SIDE	TABLEAU COTE DROIT	G/85 1
3000808273	ABDECKUNG SCHALT.R.	PROTEZIONE PANN.D.	PROTECTION RH PAN.	PROTECTION PANN.D.	G/85 1
3001605739	BODEN ISOLIERUNG U.	FONDO ISOLAZIONE I.	BOTTOM INSULAT.INT.	FOND ISOLATION I.	BE/85 1
3001805712	BLLENDE BACKROHRTÜR	BOMBATO PORTINA F.	OVEN DOOR SECTION	PORTE BOMBEE	BG/BE/85 1
3001805713	BLLENDE FASSADE U.	CRUSCOTTO FACC.INF.	PANEL FRONT BOTTOM	TABLEAU DEVANT INF.	BG/BE/85 1
3001805714	BLLENDE FASSADE SEI.	CRUSCOTTO FACC.LAT.	PANEL FRONT SIDE	TABLEAU DEVANT COTE	BE/85 1
3001805722	BLLENDE ANSCHLUSS	CRUSCOTTO ALLACC.	PANEL CONNECTIONS	TABLEAU BRANCHEMEN.	G/85 2
3003406849	EINFASSUNG VERB.	FASCIA RACCORDO	CONNECTION STRIP	BANDE RACCORD	HE/81 1
3004605432	FUSS VIERKANTROHR	PIEDINO ESTERNO	FOOT EXTERNAL	PIED EXTERIEUR	G/85 4
3005603167	GRIFF BACKBLECH	MANIGLIA BAC.FORNO	OVEN TRAY HANDLE	POIGNEE BAS. FOUR	S/70/85 2
3005605398	GRIFF SCHALTBLLENDE	MANIGLIA PANNELLO	PANEL HANDLE	POIGNEE PANNEAU	G/80 1
3005704302	GEGENBLLENDE TÜR	CONTROBOMBATO PORT.	DOOR COUNTER-SECT.	INTERIEUR PORTE	BG/BE/85 1
3006303894	HALTER ABSTAND	DISTANZIALE CERN.	HINGE SPACER	ENTRETOISE CHARNI.	BG/BE/85 2
3006305566	HALTER GRIFF L.	SUPPORTO MANIGL.S.	SUPPORT LH HANDLE	SUPPORT POIGNEE G.	G/85 1
3006305592	HALTER KLEMME	SUPPORTO MORSETTO	SUPPORT TERMINAL	SUPPORT BORNE	BE/85 1
3006306109	HALTER EINFASSUNG	SUPPORTO PIANO	HOB SUPPORT	SUPPORT PLAN	G/85 2
3006306378	HALTER VERTEILERKL.	SUPPORTO MORS.DEV.	SUPT. SWITCH TERM.	SUPPORT BORNE DEV.	HE/HEE 2
3006308330	HALTER GRIFF R.	SUPPORTO MANIGL.D.	SUPPORT RH HANDLE	SUPPORT POIGNEE D.	G/85 1
3006705723	ISOLIERBLECH BLEN.	LAMIARA ISOL.CRUSC.	PANEL INSUL. PLATE	TOLE ISOL.TABLEAU	BE/85 2
3006705726	ISOLIERBLECH ELT.	LAMIARA ISOLANTE E.	EXT.INSULAT.PLATE	TOLE ISOLANTE E.	BE/85 1
3006705730	ISOLIERBLECH HINT.	LAMIARA ISOL.POST.	REAR INSULAT.PLATE	TOLE ISOLANTE ARR.	BE/85 1
3006801979	ISOLIERPLATTE KLEMME 3-POLIG	ISOLAZIONE MORSETTO 3 POLI	NSULATION 3-POLE TERMINAL	ISOLATION BORNE 3 POLES	2
3006801981	ISOLIERPLATTE KLEMME 4-5POLIG	ISOLAZIONE BACHELITE 4-5 POLI	INSULATION 4-5 POLE BAKELITE	ISOLATION BAKELITE 4-5 POLES	1
3008304247	TRÄGER EINFASSUNG	PORTANTE FASCIA	CONNECT.STRIP SUPT.	PORTANT BANDE	G/80 1
3008305647	TRÄGER LÄNGS HINT.	PORTANTE LON. POST.	MEMBER LONGIT.REAR	PORTANT LONG.ARR.	ZG/80 1
3014204295	VERSTÄRKUNG RÜCKW.	RINFORZO SCHIENA	STIFFENER BACK	RENFORT DOS	G/80-160 1
3014205434	VERSTÄRKUNG TRÄG.H.	RINFORZO PORT.P.	STIFFEN. DOOR REAR	RENFORT PORTE ARR.	GG/GP/80 1
3014205565	VERSTÄRKUNG GRIFF	RINFORZO MANIGLIA	STIFFENER HANDLE	RENFORT POIGNEE	G/85 1
3060200041	KABELBRÜCKE	PONTE CAVI	BRIDGE WIRING	PONT CABLES	HE/EH 3
3500805182	ABDECKUNG KAMIN	CRUSCOTTO CAMINO	PANEL FLUE	TABLEAU CHEMINEE	HGE/GPE/80 1
3500805332	ABDECKUNG KAMIN N	CRUSCOTTO CAMINO N	FLUE BLANK PANEL	TABLEAU CHEMINEE N.	G/80 1
3500805682	ABDECKUNG E.ANSCHL.	PROTEZIONE ELETTR.	ELEC. PROTECTION	PROTECTION ELECTR.	BE 1
3501605738	BODEN HEIZKÖRPER U.	FONDO RESISTENZA I.	HEAT.ELEM. BOTT. I.	FOND RESISTANCE I.	BE/85 1

COD.	BESCHREIBUNG	DESCRIZIONE	DESCRIPTION	DESCRIPTION	QUANT.
0103206665	ELEKTROHERD 4 PL.	CUCINA ELETTRICA	ELECTRIC RANGE	CUISINIERE ELECT.	HEE/81 PAG.2
3501605750	BODEN BACKROHR	FONDO FORNO	OVEN BOTTOM	FOND FOUR	BG/BE/85 1
3502600142	BACKBLECH 4-SEITIG	BACINELLA FORNO	OVEN TRAY	BASSIN FOUR	S/70/85 1
3504304301	FASSADE BACKROHR	FACCIATA FORNO	OVEN FACING	DEVANT FOUR	BG/BE/85 1
3506705729	ISOLIERBLECH MANT.	LAMIERA ISOLANTE	INSULATING PLATE	TOLE ISOLANTE	BE/85 1
3506706750	ISOLIERBLECH E-PL.	LAMIERA ISOL.PIA.E.	INSUL.PLATE TOP EX.	TOLE ISOL.PLAQUE E.	HE 2
3507805676	KAMIN BACKROHR	CAMINO FORNO	OVEN FLUE	CHEMINEE FOUR	ZGG/80 1
3507805832	KAMIN	CAMINO	FLUE	CHEMINEE	BE/85 1
3508304243	TRÄGER QUER UNT.L	PORTANTE TRAS.INF.	MEMBER CROSS BOT.LH	PORTANT TRANS.INF.G.	G/85 1
3508305473	TRÄGER FUSS	SUPPORTO PIEDE	FOOT SUPPORT	SUPPORT PIED	G/85 4
3508305636	TRÄGER LÄNGS VORNE	PORTANTE LONG.ANT.	MEMBER LONG. FRONT	PORTANT LONG.AVANT	FG/FE/80 1
3508308224	TRÄGER QUER UNT.R.	PORTANTE TRAS.INF.D.	MEMBER CROSS BOT.RH	PORTANT TRANS.INF.D.	G/85 1
3508605716	BACKROHR ELEKTRO	FORNO ELETTRICO	ELECTRIC OVEN	FOUR ELECTRIQUE	BE/85 1
3509704298	RÜCKWAND	SCHIENA	BACK	DOS	G/80 1
3511504294	SEITENWAND LINKS	FIANCO SINISTRO	SIDE LH	COTE GAUCHE	G/85 1
3511508228	SEITENWAND RECHTS	FIANCO DESTRO	SIDE RH	COTE DROIT	G/85 1
3511806743	SCHALTBLLENDE	PANNELLO COMANDO	CONTROL PANEL	PANNEAU COMMANDE	HEE/81 1
4025303613	BLECH FE P11 5x572x690	LAMIERA FE P11 5x572x690	PLATE FE P11 5x572x690	TOLE FE P11 5x572x690	1
5001804340	BLLENDE-ABSCHLUSS	TERMINALE CRUSCOTTO	PANEL ENDPIECE	EXTREMITE TABLEAU	S/85 2
5004605409	FUSS VERSTELLBAR	PIEDINO REGOLABILE	ADJUSTABLE FOOT	PIED REGLABLE	G/85 4
5004703314	FEDER FÜHLERHALTER	FERMAGLIO BULBO	PROBE CLIP	ATTACHE SONDE	UBG/UBE/WS 4
5006302092	HALTER SCHARNIER	PORTARULLINO CERNIERA	HINGE ROLLER-HOLDER	PORTE GALETS CHARNIERE	GB/EB 2
5006805299	ISOLIERUNG GLASWOLLE	PANNELLO ISOLANTE	INSULATING PANEL 690x550x25	PANNEAU ISOLANT 690x550x25	690x550 2
5006805303	ISOLIERUNG GLASWOLLE	PANNELLO ISOLANTE	INSULATING PANEL 630x450x25	PANNEAU ISOLANT 630x450x25	630x450 2
5006805311	ISOLIERUNG GLASWOLLE	PANNELLO ISOLANTE	INSULATING PANEL 720x390x25	PANNEAU ISOLANT 720x390x25	720x390 1
5006805314	ISOLIERUNG GLASWOLLE	PANNELLO ISOLANTE	INSULATING PANEL 750x490x25	PANNEAU ISOLANT 750x490x25	750x490- 1
5006806862	ISOLIERUNG GLASWOLLE	PANNELLO ISOLANTE	INSULATING PANEL 690x450x25	PANNEAU ISOLANT 690x450x25	690x450 4
5007804335	KAMIN ROST	GRIGLIA CAMINO	FLUE GRILL	GRILLE CHEMINEE	G/85 1
5010102018	ROST BACKROHR VERCHROMT	GRIGLIA FORNO CROMATA	OVEN GRILL CHROME-PLATE	GRILLE FOUR CHROMEE	1
5010104336	ROST SEITE VERCHR.	GRIGLIA LAT.FORNO	OVEN SIDE GRILL	GRILLE COTE FOUR	G/85 2
5012002108	SCHARNIER L.	CERNIERA	HINGE	CHARNIERE	GB/EB 1
5012002196	SCHARNIER R.	CERNIERA	HINGE	CHARNIERE	GB/EB 1
5022904315	SCHALTKNOPF 50o-300o	MANOPOLA	KNOB	BOUTON	2
5022904341	SCHALTKNOPF ELT.7T	MANOPOLA ELT. 7-T	ELEC. KNOB 7-T	BOUTON ELECT. 7-T	S/85 1
5022904345	SCHALTKNOPF ELT.4T	MANOPOLA ELT. 4-T	ELEC. KNOB 4-T	BOUTON ELECT. 4-T	S/85 3
5060502377	ANSCHLUSSKLEMME 4-POLIG	MORSETTERIA	TERMINAL 8016 V/4 DS KR	BORNE 8016 V/4 DS KR	1
5060503610	ANSCHLUSSKLEMME 3-POLIG	MORSETTIERA	TERMINAL 8016 V/3 DS KR	BORNE 8016 V/3 DS KR	2
5060804348	HEIZKÖRPER 3000W 380V	RESISTENZA	HEAT.ELEM. 3000W 380V	RESISTANCE 3000W 380V	BE/85 1
5060804349	HEIZKÖRPER 2000W 380V	RESISTENZA	HEAT.ELEM. 2000W 380V	RESISTANCE 2000W 380V	BE/85 1
5060902396	STUFENSCHALTER 4T.	COMMUTATORE 4 P.	SWITCH 4-POS.	COMMUTATEUR 4 P.	HE/KKE/K7E 3
5060904041	STUFENSCHALTER 7T.	COMMUTATORE 7P	SWITCH 7-POS.	COMMUTATEUR 7P	HE 1
5061103271	SIGNALLEUCHTE TYP	LAMPE TEMOIN TYP	LAMP TEMOIN TYPE	LAMPE TEMOIN TYP	VOY SI16A 3
5061103275	GLIMMLAMPE NEON	LAMPADA SPIA	INDIC. LIGHT NEON	LAMPE TEMOIN NEON	BA 9S 380V 3
5061602948	THERMOSTAT+SCHALT. 50o-300o	TERMOSTATO+INTERRUTT.	THERMOSTAT + SWITCH	THERMOSTAT+INTERRUPT	2

	ERSATZTEILLISTE	LISTA PARTICOLARI	LIST OF PARTS	LIST DES COMPOSANTS	26.07.91
0103206665	ELEKTROHERD 4 PL.	CUCINA ELETTRICA	ELECTRIC RANGE	CUISINIERE ELECTR.	HEE/81 PAG. 3
COD.	BESCHREIBUNG	DESCRIZIONE	DESCRIPTION	DESCRIPTION	QUANT.
5062508311	HEIZPLATTE 4000W 380V	PIASTRA EL.4000W 380V	HOTPLATE 4000W 380 V	PLAQUE ELE.4000W 380V	S/85 1
5062508314	HEIZPLATTE 3000W 380V	PIASTRA EL.3000W 380V	HOTPLATE 3000W 380V	PLAQUE ELE.3000W 380V	S/85 3
5207400705	HOLZVERSCHLAG	IMBALLO LEGNO	WOODEN CRATE	EMBALLAGE BOIS	S/80 1