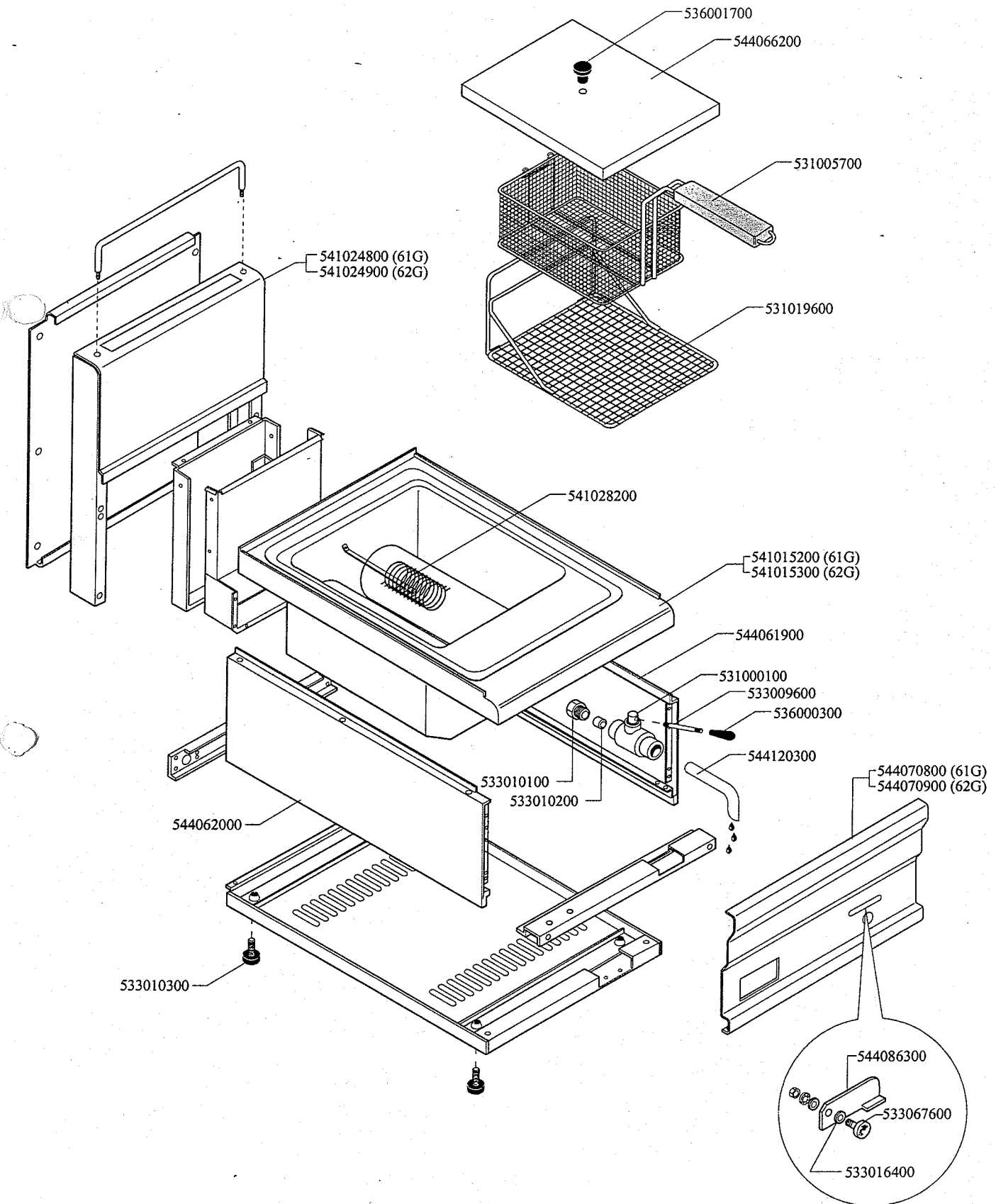
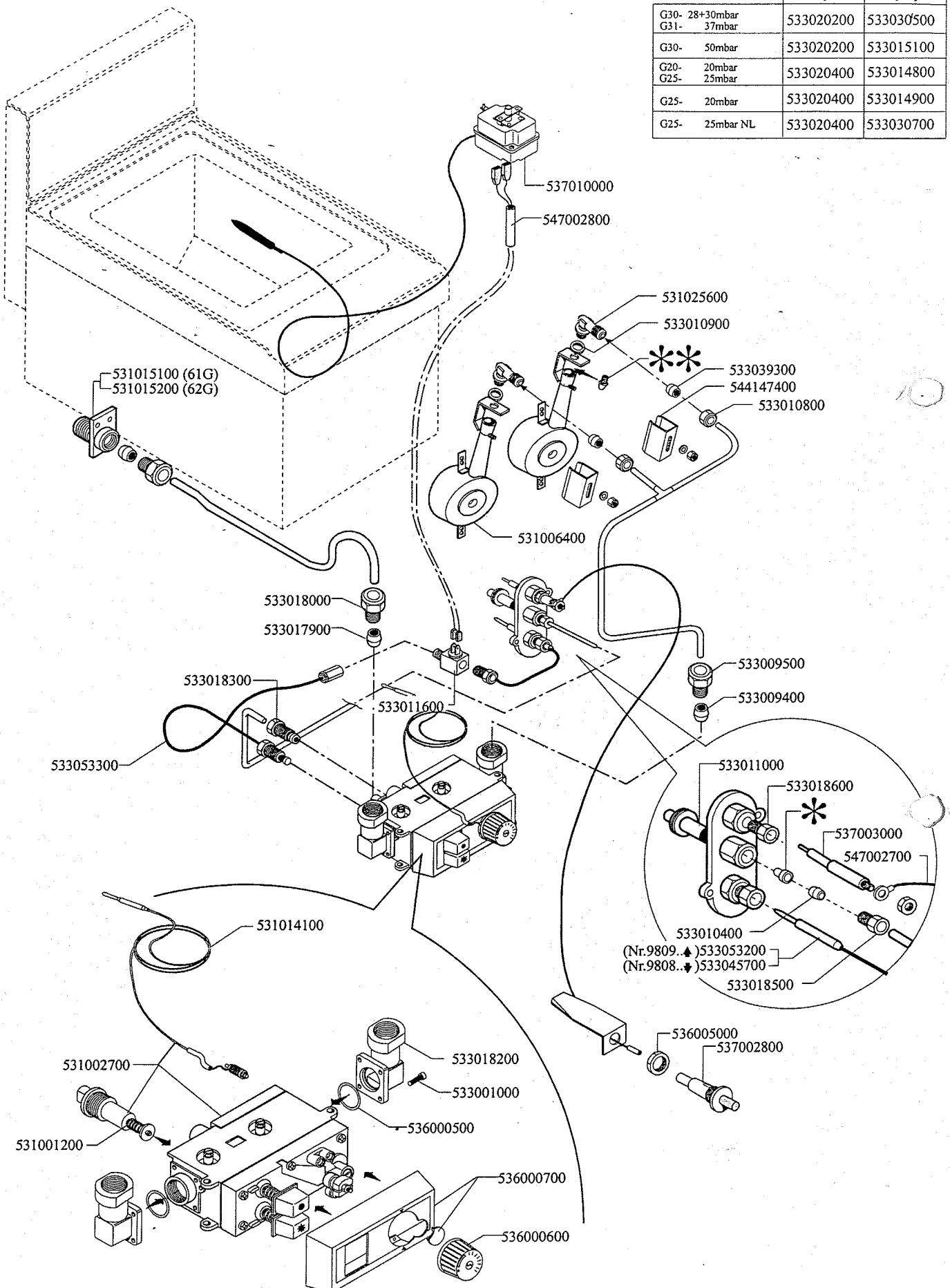


FQ-61GF FQ-62GF



FQ-61GF FQ-62GF

	*	**
G30- 28+30mbar G31- 37mbar	533020200	533030500
G30- 50mbar	533020200	533015100
G20- 20mbar G25- 25mbar	533020400	533014800
G25- 20mbar	533020400	533014900
G25- 25mbar NL	533020400	533030700



Page	Pos	Code	Description
001		536001700	GRIP D.25*19*M6
001		544066200	TANK LID FQ-61G/62G
001		531005700	FRYER BASKET 200X250X100H FQ-61G
001		531019600	TANK FILTER/BASKET SUPPORT FQ-61G
001		541028200	HEAT ACCUMULATOR FQ-61G
001		541015200	UPPER PLATE FQ-61G
001		544061900	RIGHT SIDE PANEL 60 LINE
001		531000100	DRAIN COCK 3/4"
001		533009600	DRAIN COCK HANDLE
001		536000300	FIXED GRIP D.15*25*M6
001		544120300	DRAIN PIPE 22 FOR COCK 3/4"G
001		544070800	CONTROL PANEL FQ-61G
001		544086300	COCK FIXING BRACKET
001		533067600	PIN FOR GRADUATED COCK BUSHING
001		533016400	COCK BUSHING
001		533010100	3/4 D. 18 PIPE UNION
001		533010200	BICONE 18S
001		544062000	LEFT SIDE PANEL 60 LINE
001		533010300	ADJUSTABLE FOOT M10*20 D.23
001		541024800	SPACER FQ-61G
002		533020200	PILOT JETS 0160 FOR LPG §30
002		533020400	NOZZLE 0160 (NATURAL GAS) 51
002		533030500	NOZZLE §90 CH12X14 G30/CE
002		533015100	NOZZLE §80 CH12*14 F-FP/CP6
002		533014800	NOZZLE §135 CH12*14,0
002		533014900	NOZZLE §150 CH12*14 F-FQ5 L-FQ6
002		533030700	NOZZLE §140 CH12X14 AARD-FQ6
002		537010000	SAFETY THERMOSTAT 220°C SINGLEPHASE
002		531025600	ELBOW 90° NOZZLE-HOLDER §10 PIPE
002		533010900	NUT M14*1 H.4
002		533039300	BICONE §10
002		544147400	AIR ADJUSTMENT BUSHING FMG-FQ
002		533010800	TUBE NUT D.10 M16*1,5
002		531006400	FRYER BURNER FQ-61G
002		531015100	FITTING 1/2"G - 3/8" G
002		533018000	ELBOW FOR BICONE D.12 3/8 RS L20
002		533017900	BICONE D.12
002		533018300	FITTING WITH BICONE 6 M10*1
002		531014100	VALVE CAPILLARY PROBE FOR FG §6
002		531002700	MINISIT VALVE 100-190°C FQ/FG
002		531001200	MAGNET AC/2-MINISIT
002		533018200	ELBOW OR GJ 3/8
002		533001000	SCREW TCB C/CC M4X16
002		536000500	O-RING FOR MINISIT FITTING
002		536000700	PLASTIC COVER FOR MINISIT + SCREW
002		536000600	BLACK LHD KNOB OP. FOR MINISIT
002		533011000	PILOT BURNER 3 FLAMES 320
002		533018600	PLUG FITTING
002		537003000	PLUG M4 - LONG ELECTRODE
002		547002700	HIGH-VOLTAGE CABLE L=500
002		533010400	BICONE D.6

Page	Pos	Code	Description
002		533053200	THERMOCOUPLE 200 M9*1
002		533045700	THERMOCOUPLE M9*1 500
002		533018500	FITTING FOR BICONE D.6 M10*1
002		536005000	NUT M18 FOR PIEZOELECTRIC IGNITION
002		537002800	PIEZOELECTRIC IGNITION M18
002		533009500	NIPPLE FOR BICONE 10S
002		533009400	BICONE 10S
002		547002800	SAFETY CABLE FOR GAS FRYER
002		533053300	THERMOCOUPLE EXTENSION M9*1
002		533011600	THERMOCOUPLE CUT-OFF M9*1-F9*1