



## **Gas-Wokherd 6 Brenner, 72 kW**

Artikel-Nr.  
231013 (398026 / DG1106)

---

### **Explosionszeichnung / Ersatzteile**

---

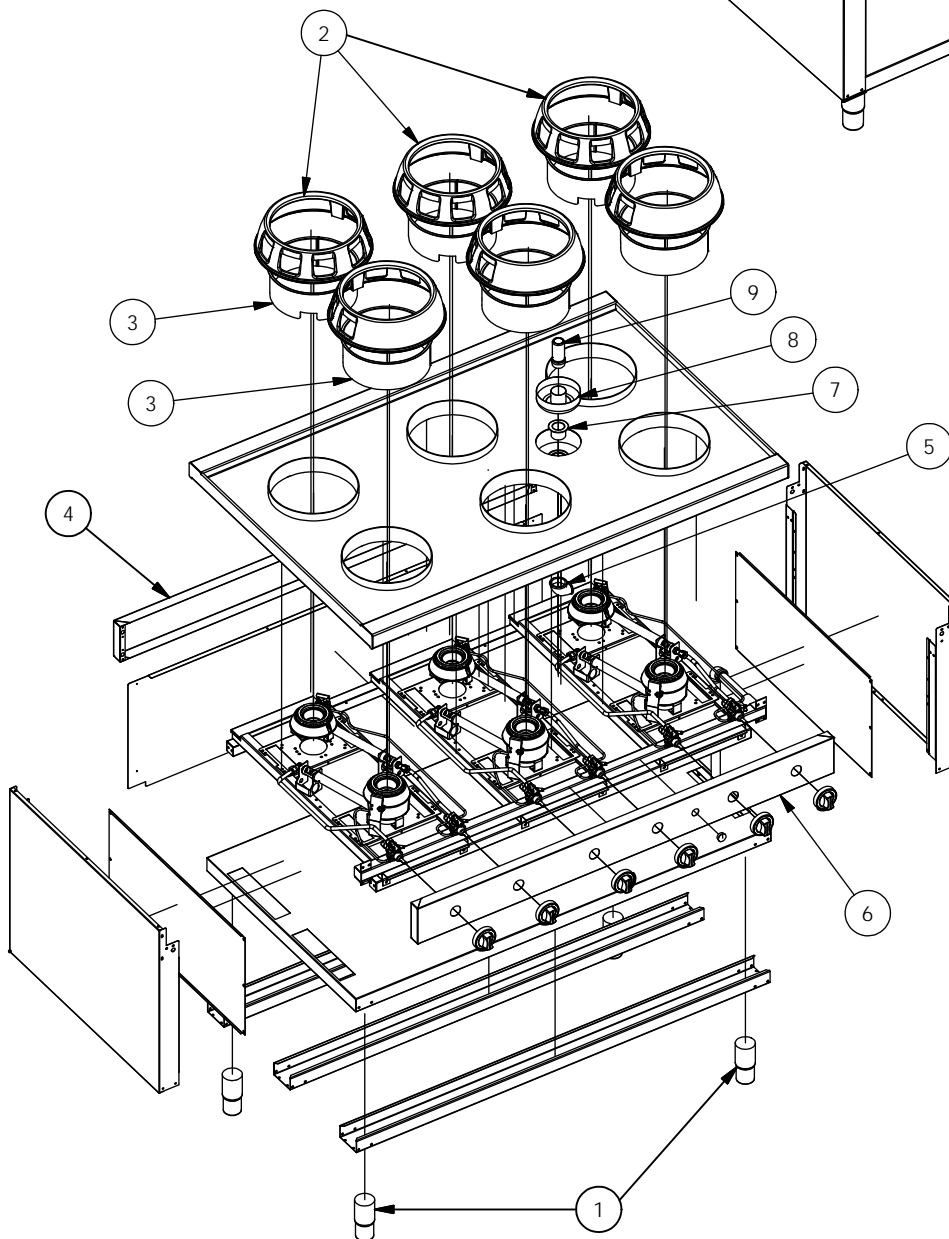
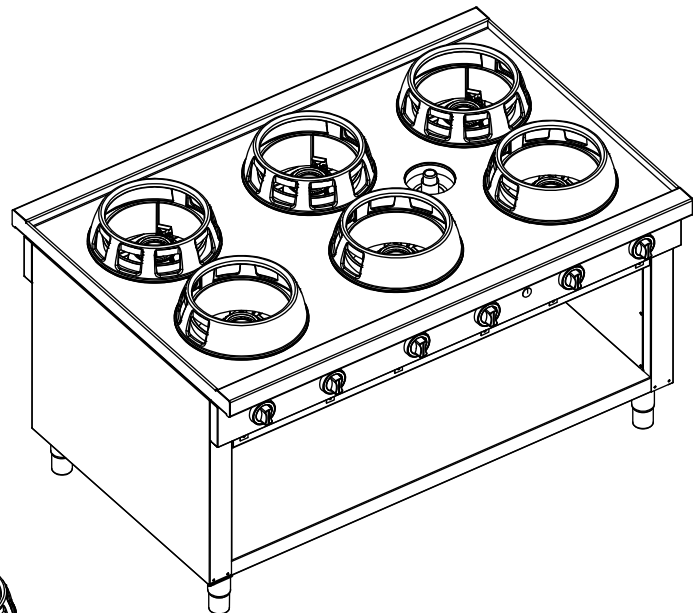
Bitte bei Ersatzteilbestellung immer Artikelnummer und  
Seriennummer mit angeben!

## TAVOLA / DRAWING 6216

Mod. DG1106 Cod. 398026

Allegati / Attachments: 6225-6; 6225; 6226;  
6227; 6228-6

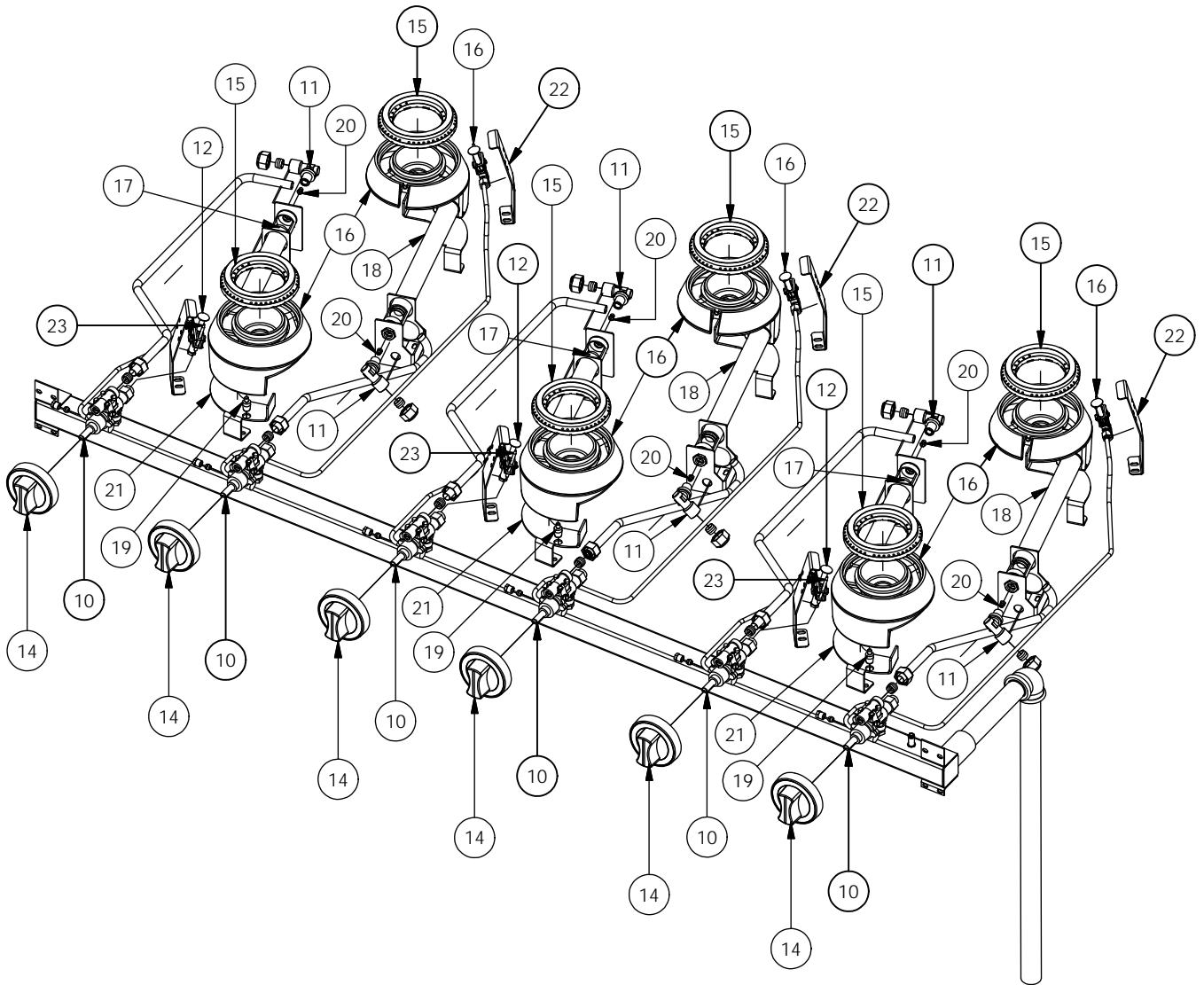
CUCINA GAS PARETE 6 FUOCHI  
ONE SIDE 6 BURNERS GAS RANGE



1	844380	PIEDE 2"INOX 145-200 EP1XBMBONNSV	2" STAINLESS STEEL FOOT
2	4255001	CERCHIONE GHISA VETRIF. WOK D-C1F	CAST IRON RING SUPPORT
3	4610420	PROTEZIONE IMPIANTO BRUC. DRAGONE	GAS INSTALLATION PROTECTION
4	4107025	CRUSCOTTO NEUTRO DRAGONE 1650	BACK PANEL 1650
5	829955	GOMITO FE/ZN F.F. RID. DA 1"1/2 A 1"	FE/ZN ELBOW F.F. FROM 1"1/2 TO 1"
6	4107028	CRUSCOTTO DRAG. 6 F. MONOF. 1650	CONTROLS FRONT PANEL 1650 P
7	833451	PILETTA DI SCARICO 1"1/2 017030007	WATER DRAIN
8	833450	CESTELLO FILTRAGGIO PIANI WOK	FILTERER BASKET
9	833457	TUBO TROPPO PIENO INOX DA 1"1/2	OVERFLOW PIPE

TAVOLA / DRAWING 6225-6

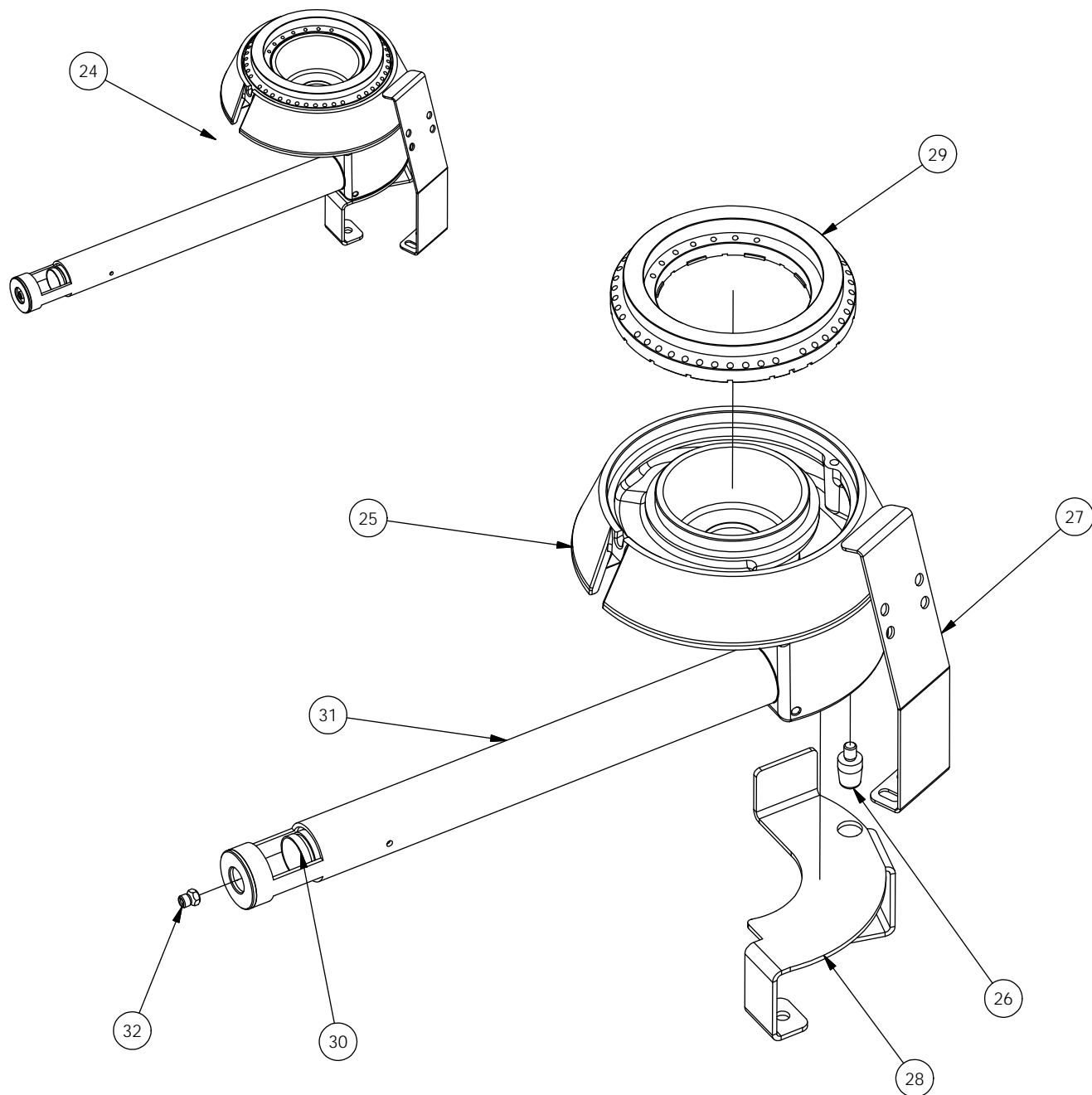
GRUPPO GAS 12 KW DRAGONE  
GAS GROUP 12 KW DRAGONE



10	835101	RUBINETTO GAS VAL.22S S.90 7919-B11	GAS VALVE
10	401151	RUBINETTO GAS COMPL.RACC.22S S.900	GAS VALVE WITH CONNECTORS
11	829421	RACCORDO PORTAUGELLO 90 COD.400021	ORIFICE ELBOW FITTING
12	446001	KIT PILOTA 2 VIE CON REGOL. ESTERNA	PILOT BURNER 2 WAY
13		UGELLO GPL PER PILOTA	GPL SHORT PILOT INJECTOR
14	401404	MANOP. COMPL. PER 22S CUCINE DRAG.	KNOB FOR GAS TAP 22S "DRAGONE"
15	837766	SPARTIF. OTTONE WOK 12KW 99.SW	WOK BURNER CAP IN BRASS 12 KW 99.SW
16	837731	CORPO BRUC. VERN WOK SERIE 99.BWDX.V	BURNER BODY IN CAST-IRON WOK 99.BWDX.V
17	837793	REGOLAZ. ARIA PRIM. S99 99.REGARIAE	PRIMARY AIR CONTROL S99 99.REGARIAE
18	837406	TUBO VENTURI S99-SMO VERNIC. L.310	VENTURI TUBE S.99-SMO
19	838765	PERNO POSIZIONAM.BRUCIATORE 99.PEP	COUPLING PIN
20		UGELLO OTT.CH11X13 M10X1 F.2,15*215	SHORT BURNER INJECTOR
20		UGELLO GPL PER BRUCIATORE	GPL SHORT BURNER INJECTOR
21	4200002	SUPPORTO BRUCIATORE 12 KW WOK	SUPPORT FOR 12 KW BURNER
22	4610641	STAFF. PORTA PIL. BRUC. 12KW DRAG.	BRACKET SUPPORT PILOT BURNER 12 KW
23	837233	TERMOCOPPIA QUICK DA 320 0290012	THERMOCOUPLE CM 32

TAVOLA / DRAWING 6225

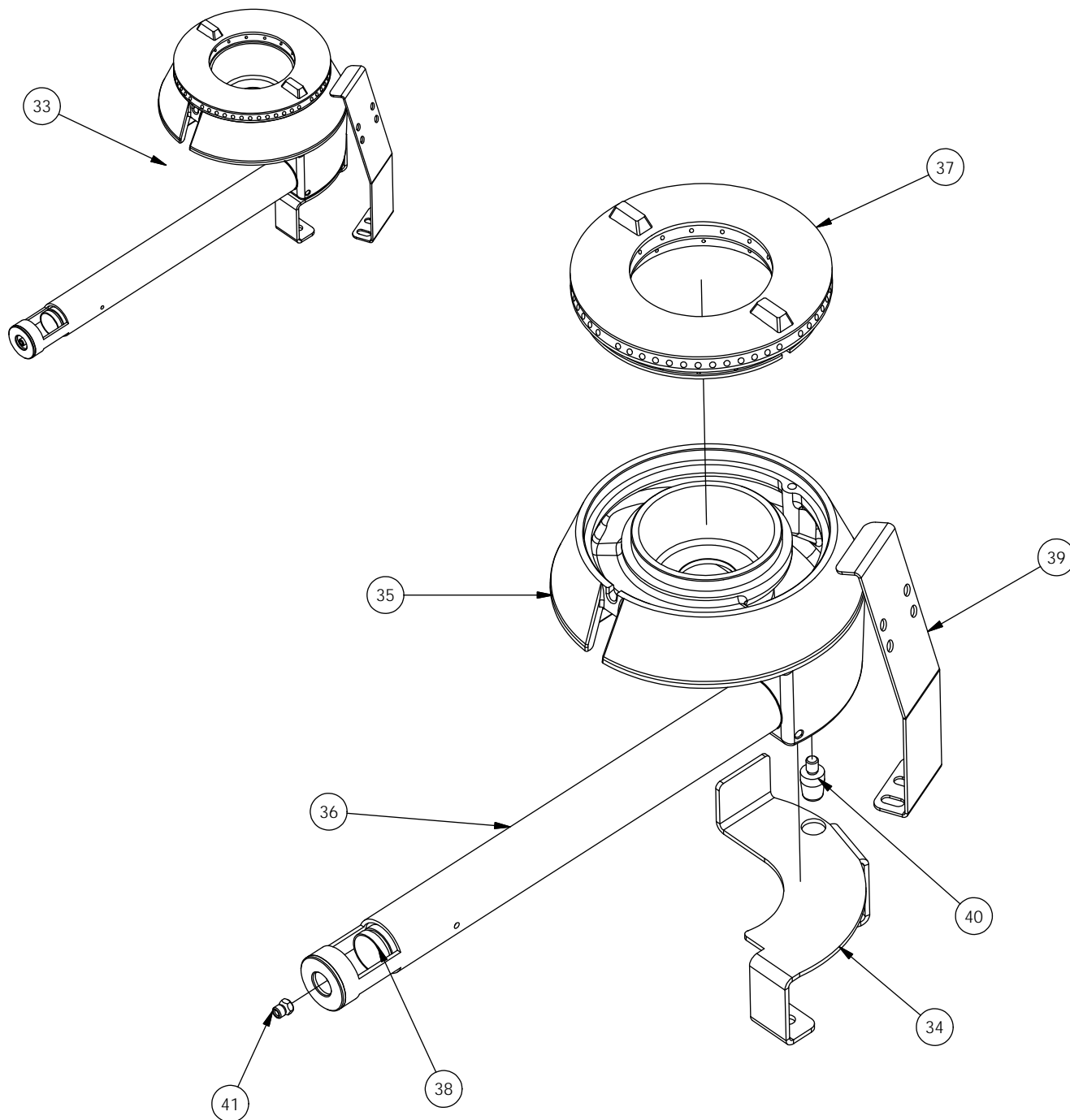
GRUPPO GAS 12 KW DRAGONE  
GAS GROUP 12 KW DRAGONE



24	4000341	GRUPPO GAS 12KW VERTICALE DRAGONE	GAS GROUP 12 KW VERTICAL "DRAGONE"
25	837731	CORPO BRUCIATORE VERN WOK SERIE 99.BWDX.V	BURNER BODY IN CAST-IRON WOK 99.BWDX.V
26	838765	PERNO POSIZIONAM.BRUCIATORE 99.PEP	COUPLING PIN
27	4610641	STAFF. PORTA PIL. BRUC. 12KW DRAG.	BRACKET SUPPORT PILOT BURNER 12 KW
28	4200002	SUPPORTO BRUCIATORE 12 KW WOK	SUPPORT FOR 12 KW BURNER
29	837766	SPARTIF. OTTONE WOK 12KW 99.SW	WOK BURNER CAP IN BRASS 12 KW 99.SW
30	837793	REGOLAZ. ARIA PRIM. S99 99.REGARIAE	PRIMARY AIR CONTROL S99 99.REGARIAE
31	837406	TUBO VENTURI S99-SMO VERNIC. L.310	VENTURI TUBE S.99-SMO
32		UGELLO OTT.CH11X13 M10X1 F.2,15*215	SHORT BURNER INJECTOR
32		UGELLO GPL BRUCIATORE	GPL SHORT BURNER INJECTOR

TAVOLA / DRAWING 6226

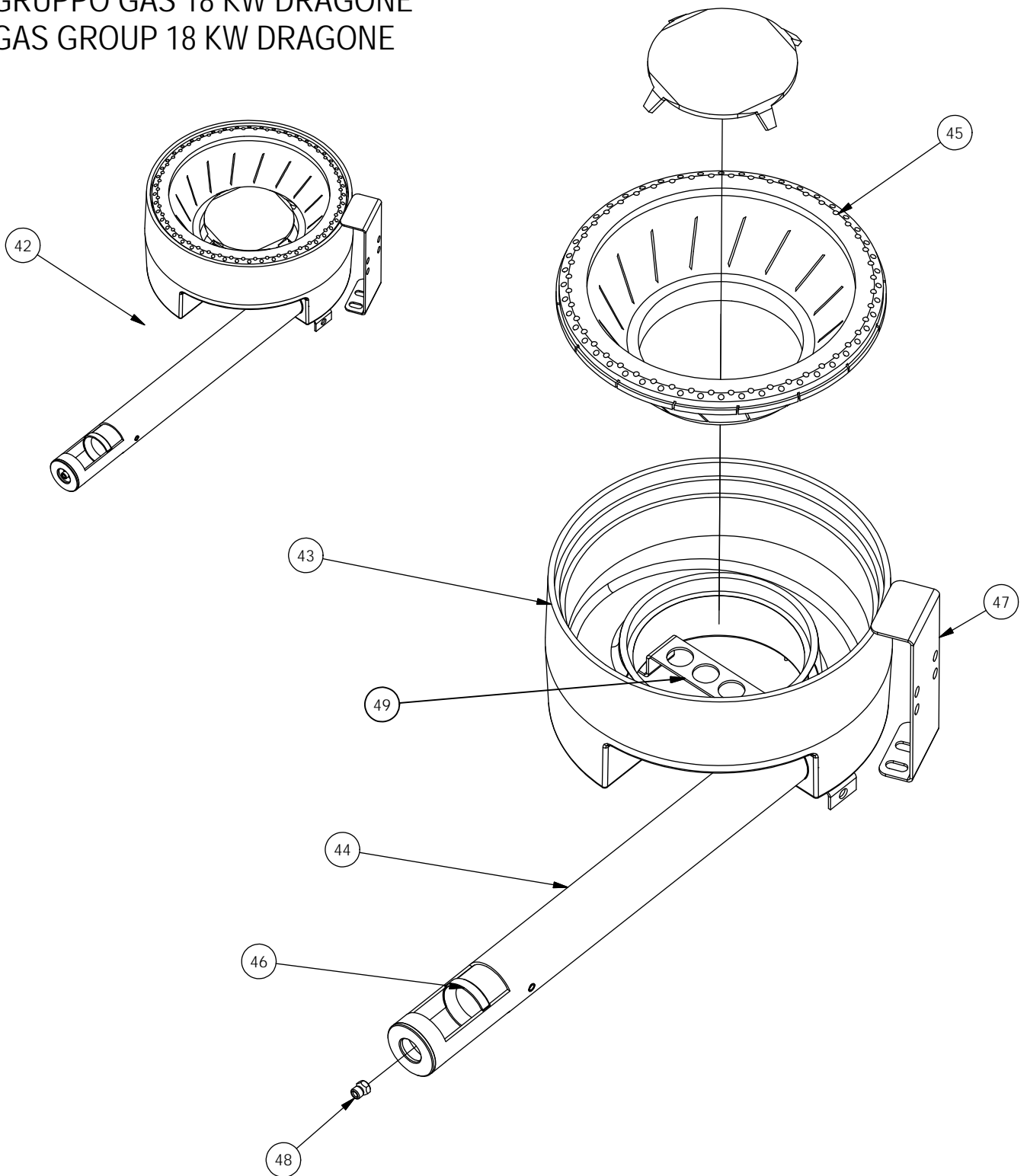
GRUPPO GAS 12 KW VERTICALE DRAGONE  
 GAS GROUP 12 KW VERTICAL DRAGONE



33	4000343	GRUPPO GAS 12KW ORIZZONTALE DRAGONE	GAS GROUP 12 KW HORIZONTAL "DRAGONE"
34	4200002	SUPPORTO BRUCIATORE 12 KW WOK	SUPPORT FOR 12 KW BURNER
35	837735	CORPO BRUC."E" VERN. SERIE 99.BEDX"	BURNER BODY IN CAST-IRON "E" 99.BEDX
36	837406	TUBO VENTURI S99-SMO VERNIC. L.310	VENTURI TUBE S.99-SMO
37	837768	SPARTIF. "E" SERIE 99 NICHEL. 99.S	NICHELED BURNER CAP 12 KW "E" 99.S
38	837793	REGOLAZ. ARIA PRIM. S99 99.REGARIAE	PRIMARY AIR CONTROL S99 99.REGARIAE
39	4610641	STAFF. PORTA PIL. BRUC. 12KW DRAG.	BRACKET SUPPORT PILOT BURNER 12 KW
40	838765	PERNO POSIZIONAM.BRUCIATORE 99.PEP	COUPLING PIN
41		UGELLO OTT.CH11X13 M10X1 F.2,15*215	SHORT BURNER INJECTOR
41		UGELLO GPL BRUCIATORE	GPL SHORT BURNER INJECTOR

TAVOLA / DRAWING 6227

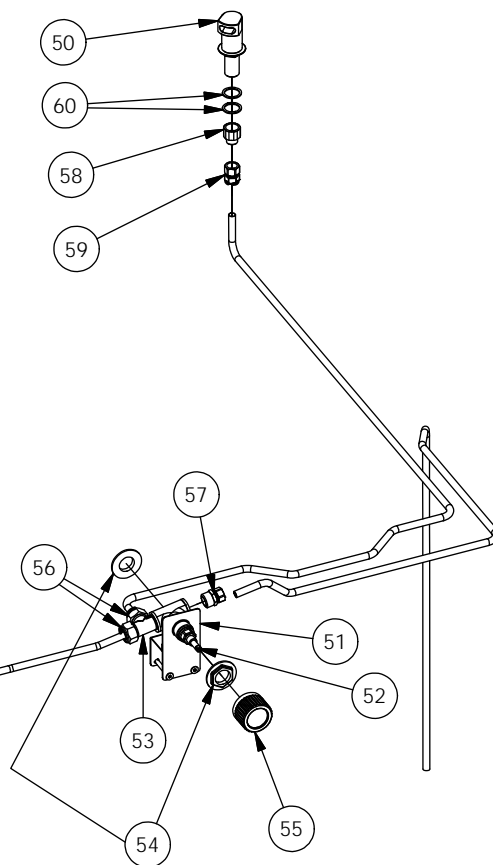
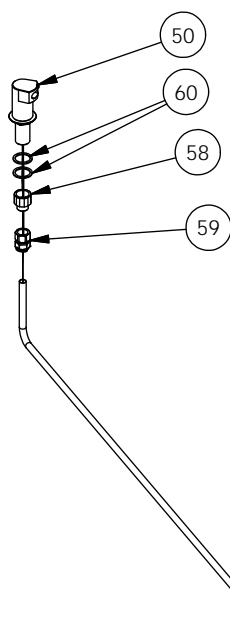
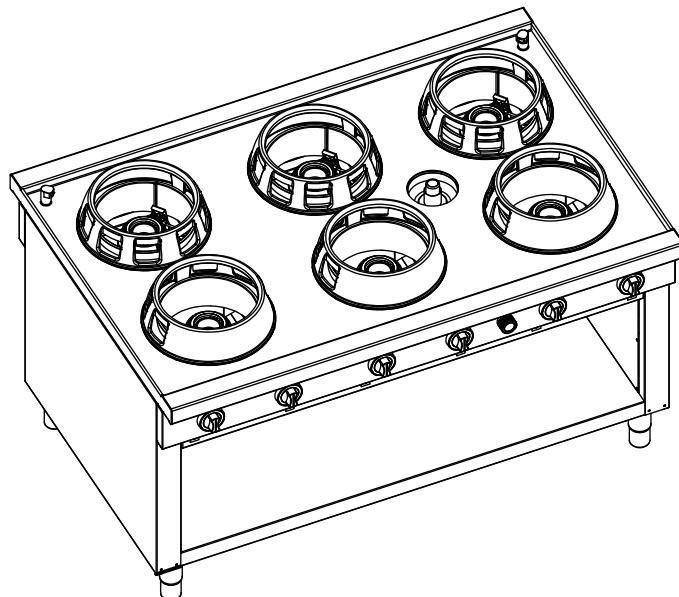
GRUPPO GAS 18 KW DRAGONE  
GAS GROUP 18 KW DRAGONE



42	4000345	GRUPPO GAS 18KW DRAGONE	GAS GROUP 18 KW "DRAGONE"
43	837411	CORPO BRUC. VERN. X WOK18KW 92.CW18	BURNER BODY IN CAST-IRON WOK 92.CW18
44	837405	TUBO VENTURI S92-SMO VERNIC. L.300	VENTURI TUBE S92-SMO
45	837415	SPARTIF. OTTONE WOK 18KW 92.SW18.1	WOK BURNER CAP IN BRASS 18 KW 92.SW18.1
46	837794	REGOLAZ. ARIA PRIMARIA S92-SMO	PRIMARY AIR CONTROL S92-SMO
47	4610640	STAFF. PORTA PIL. BRUC. 18KW DRAG.	BRACKET SUPPORT PILOT BURNER 18 KW
48		UGELLO OTT.CH11X13 M10X1 F.2,15*215	SHORT BURNER INJECTOR
48		UGELLO GPL BRUCIATORE	GPL SHORT BURNER INJECTOR
49	4201110	STAFFA CENTRAGG. X BRUC. 18KW WOK	CENTERING FRAME FOR 18KW WOK BURNER

TAVOLA / DRAWING 6228-6

KIT CARICO ACQUA DRAGONE  
WATER TAP KIT DRAGONE



50	833540	EROG. H55 1/2" M CON DADO 01107383	WATER INLET H.55 M. 1/2"
51	4200348	ASS. SUPPORTO RUB. ACQUA DRAGONE	SUPPORT FOR WATER INLET COCK
52	833471	RUBINETTO INCASSO DIRITTO 1/2	WATER INLET COCK
53	829769	RACC.A "T" MONOCONI M.1/2" FAR551012	TEE UNION M. 1/2"
54	833481	GHIERA FLANGIATA DA 26X19FX1"	WATER TAP FLANGE
55	401683	MANOPOLA ZIGR.D.48 ASS.CAR.H2O CUOC	WATER INLET KNOB
56	829811	RACC.TENUTA KIT COMP.D.10 FAR842710	WATERTIGHTNESS UNION TUBE D.10
57	833477	NIPPLES 1/2XD10 FRIZ.RAME/OTTONE	WATER INLET COCK CONNECTION
58	829970	RIDUZIONE FE/ZN DA M.3/8 F.1/2"	FE/ZN ADAPTOR FROM M. 3/8" TO F. 1/2"
59	829807	RACCORDO DIR.FEM.DIAM.10X3/8" PTFE.	PIPE UNIOR 10X3/8" PTFE
60	899068	GUARNIZ. RAME DIM. 27,8X22,3X1,5	COPPER GASKET