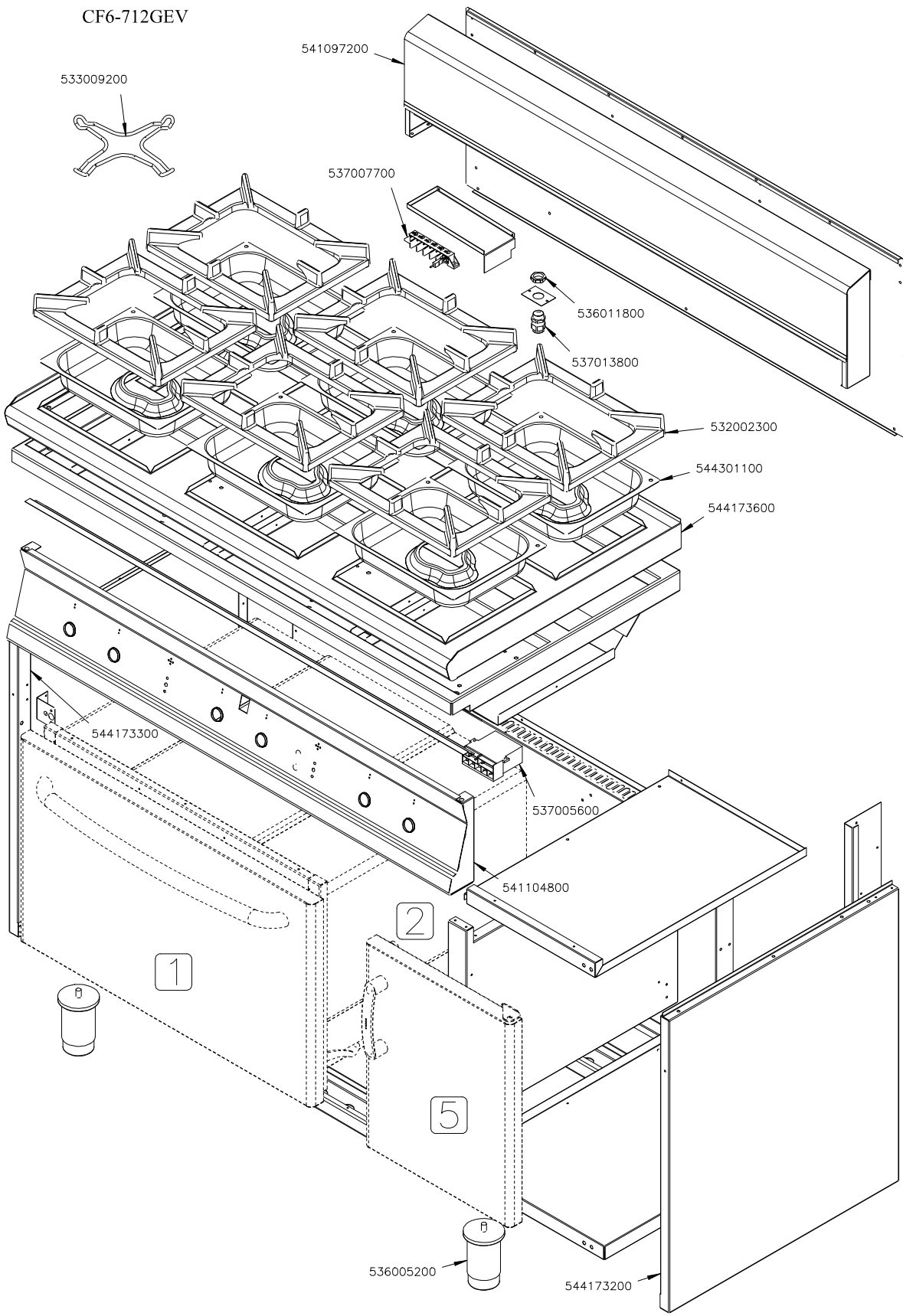
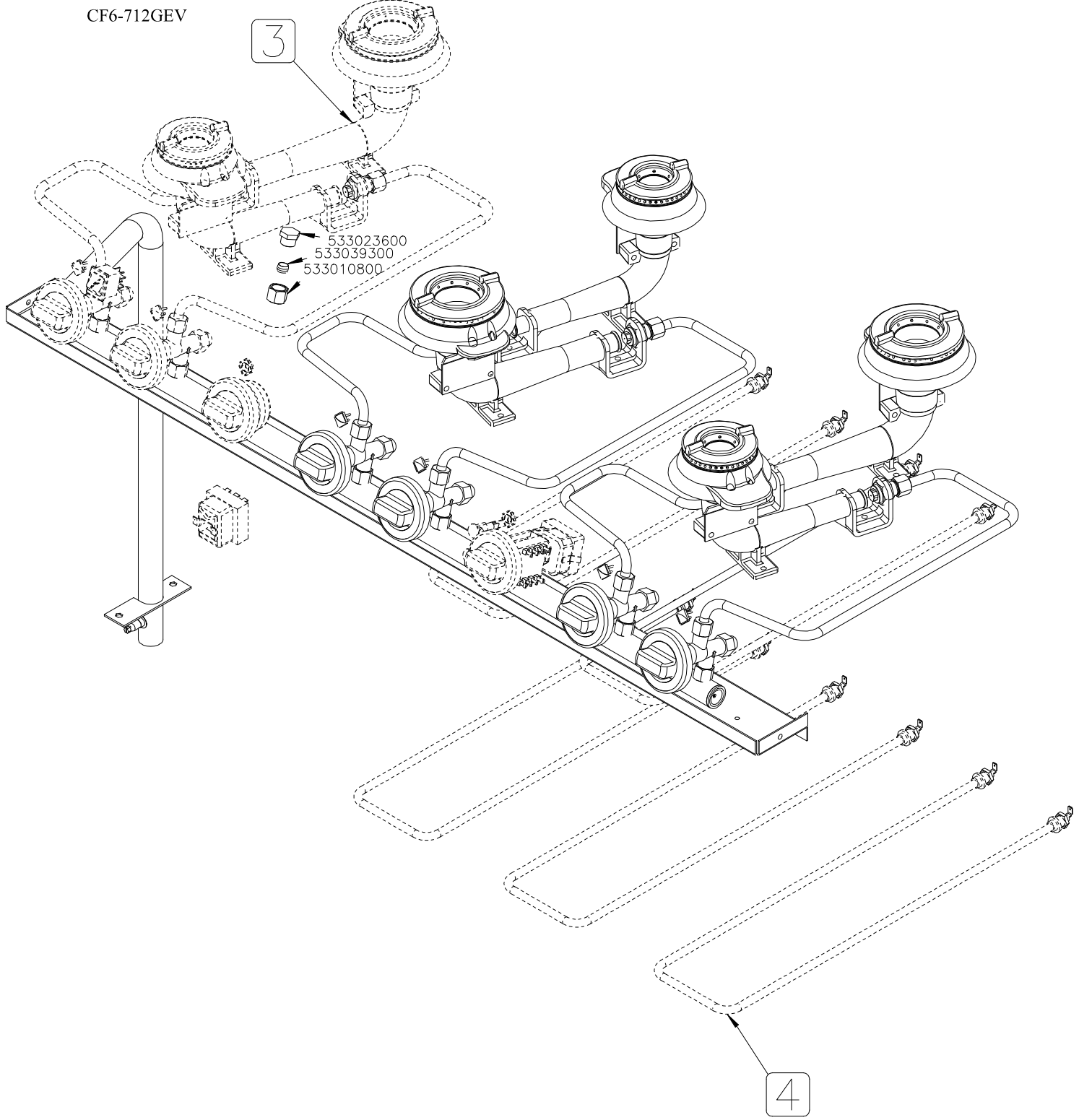


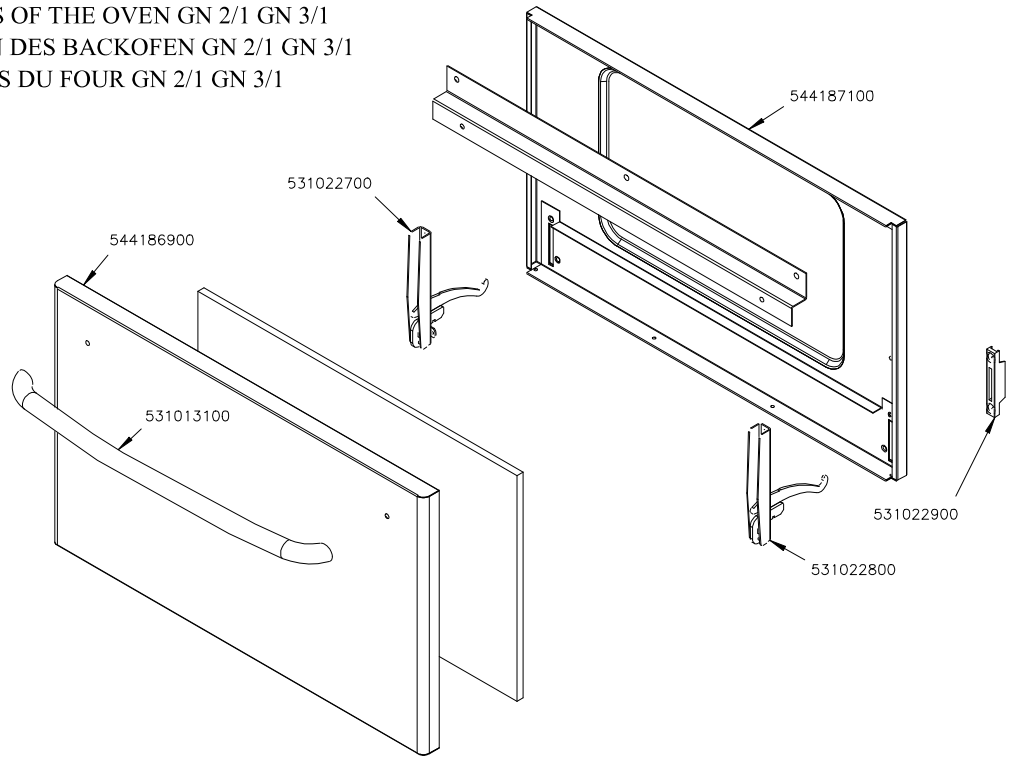
CF6-712GEV



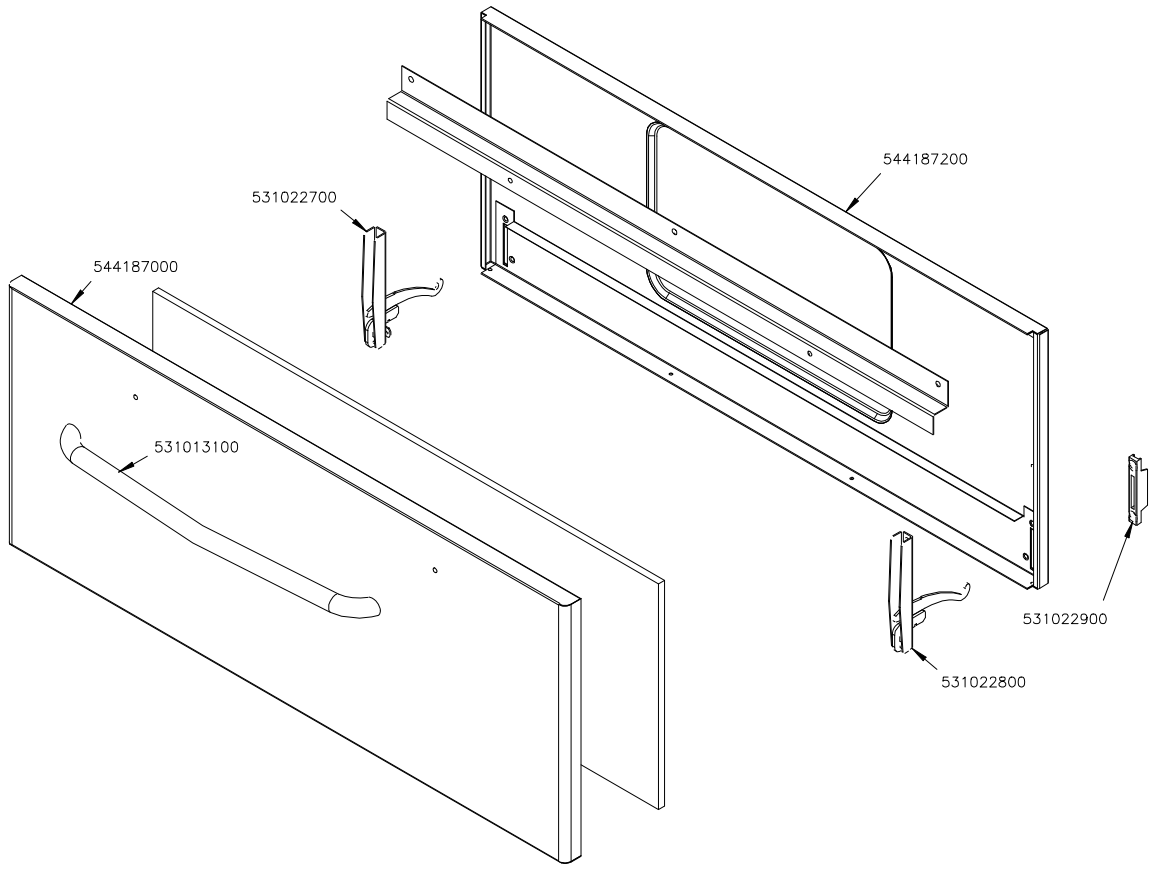


PORTE FORNO GN 2/1 GN 3/1  
DOORS OF THE OVEN GN 2/1 GN 3/1  
TUREN DES BACKOFEN GN 2/1 GN 3/1  
PORTES DU FOUR GN 2/1 GN 3/1

GN 2/1

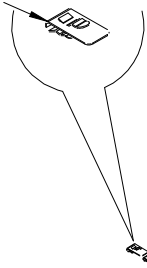


GN 3/1

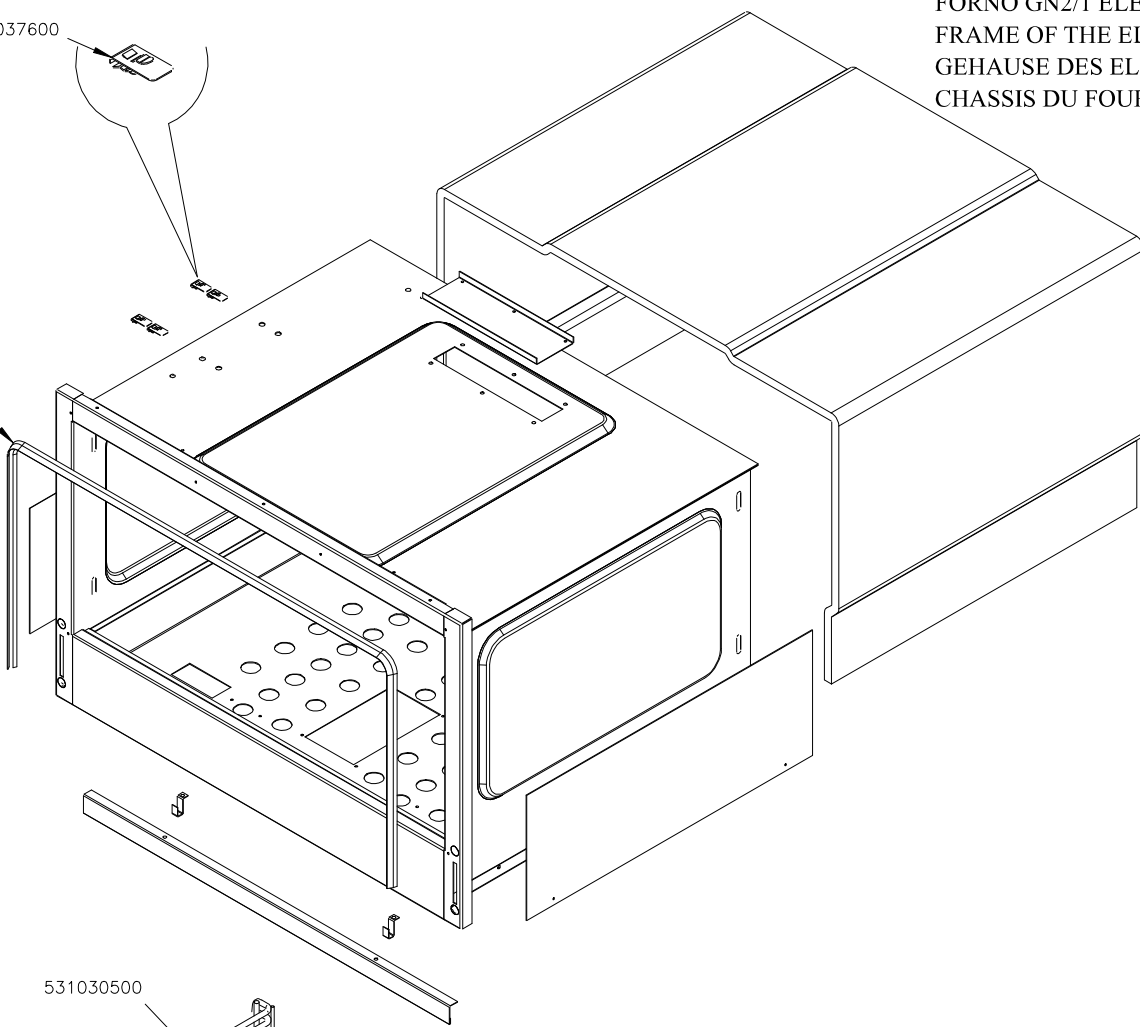


FORNO GN2/1 ELETTRICO CARCASSA  
FRAME OF THE ELECTRICAL OVEN GN 2/1  
GEHAUSE DES ELEKTROBACKOFEN GN 2/1  
CHASSIS DU FOUR A ELECTRIQUE GN 2/1

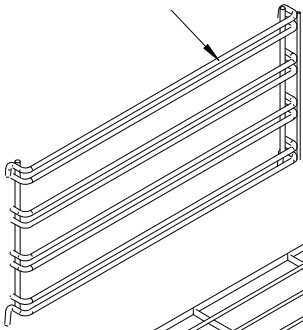
533037600



536010800



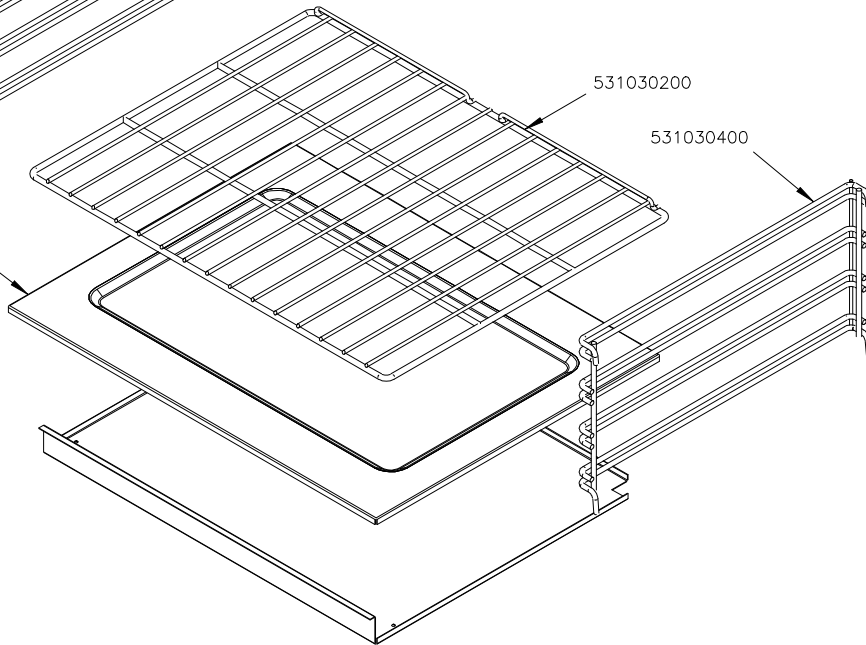
531030500



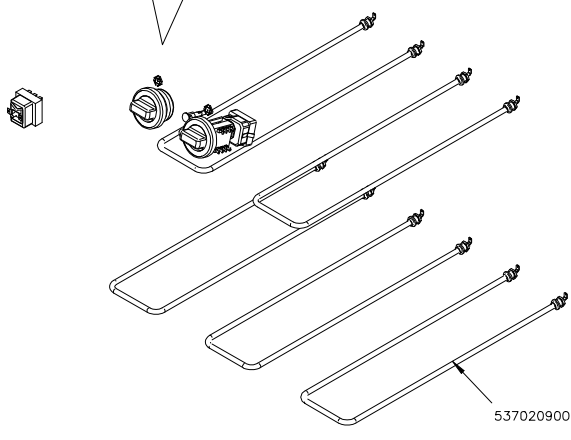
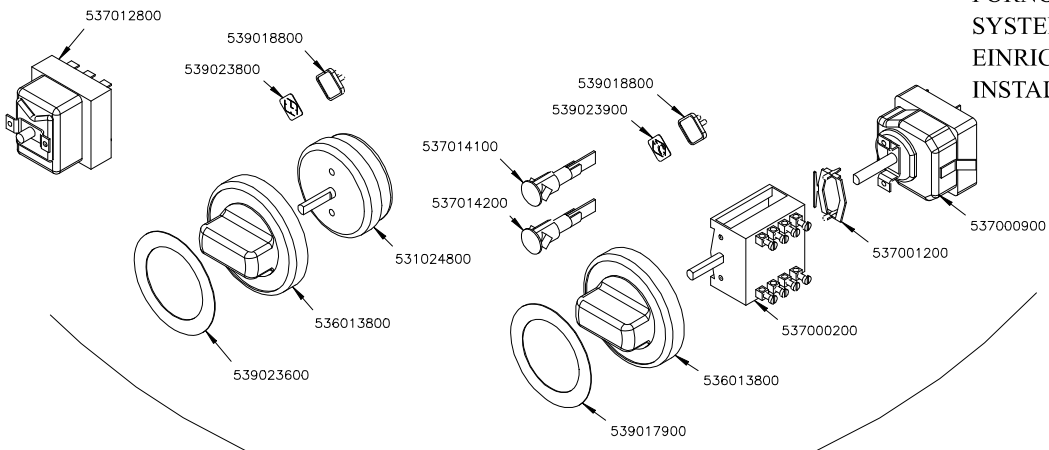
531030200

531030400

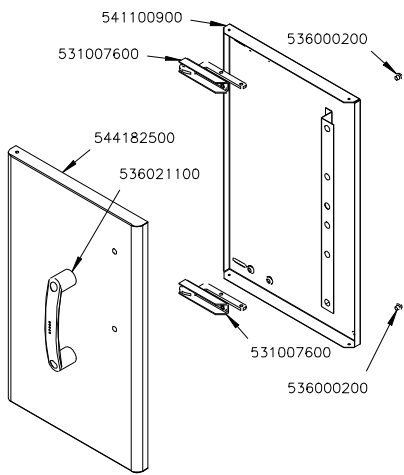
544198900



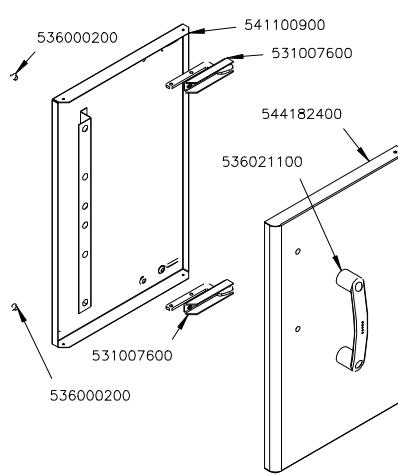
FORNO GN2/1 ELETTRICO IMPIANTO  
SYSTEM OF THE ELECTRICAL OVEN GN 2/1  
EINRICHTUNG DES ELEKTROBACKOFEN GN 2/1  
INSTALLATION DU FOUR A ELECTRIQUE GN 2/1



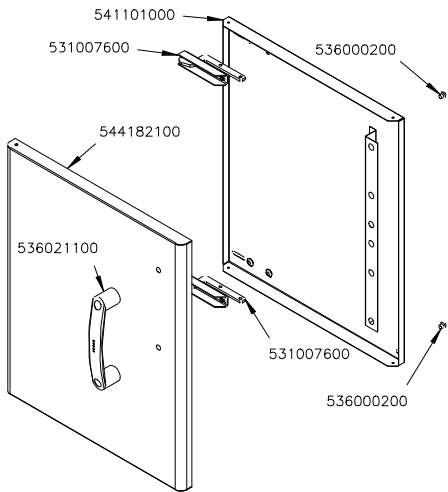
PORTE MOBILE / DOORS OF THE STAND / FLUGELNEN DES UNTERSCHRANK / PORTES DU PLACARD



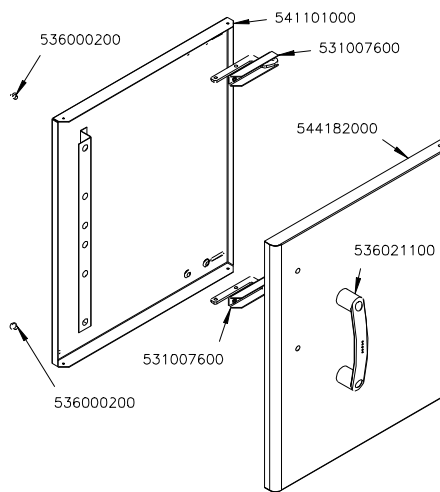
P-73 SX



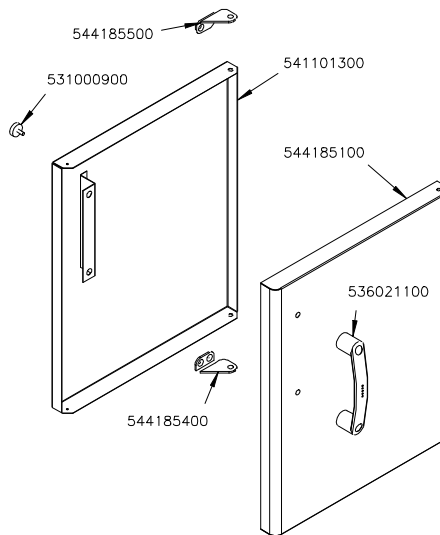
P-73 DX



P-74 SX

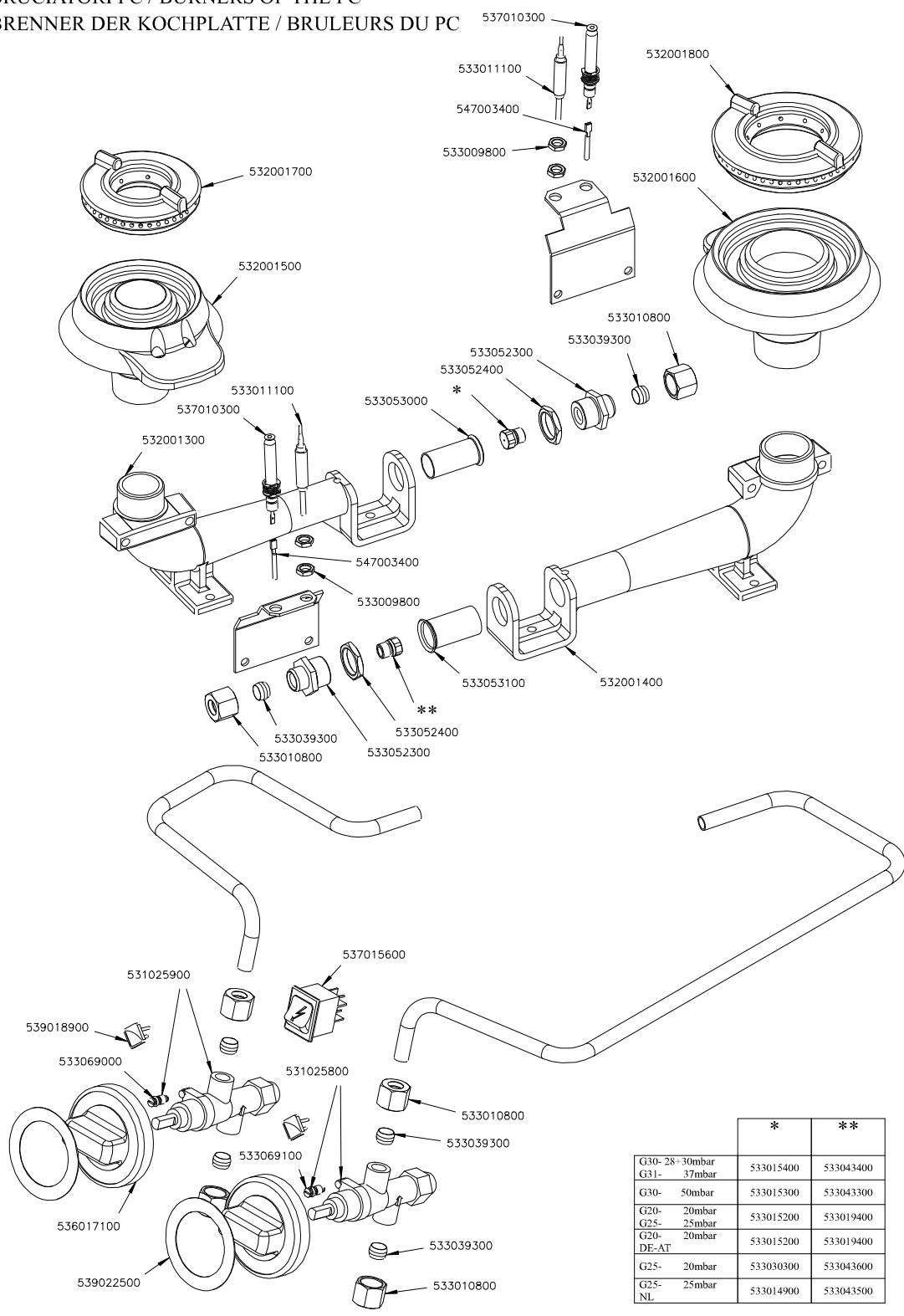


P-74 DX



P-74 DX CF

BRUCIATORI PC / BURNERS OF THE PC  
 BRENNER DER KOCHPLATTE / BRULEURS DU PC



	*	**
G30- 28-30mbar	533015400	533043400
G31- 37mbar		
G30- 50mbar	533015300	533043300
G20- 20mbar	533015200	533019400
G25- 25mbar		
G20- 20mbar	533015200	533019400
DE-AT		
G25- 20mbar	533030300	533043600
G25- 25mbar	533014900	533043500
NL		

Page	Pos	Code	Description
001		533009200	REDUCTION FOR 65 AND 70 LINE
001		541097200	NEUTRAL SPACER 712
001		537007700	TERMINAL BLOCK THREEPHASE 40A
001		536011800	HEXAGONAL LOCK NUT PG-13,5
001		537013800	CABLE SECURING CLAMP PG-13,5
001		532002300	1 FLAME GRILL 346X274 (70)
001		544301100	ENAMELLED BURNER DRIP PAN 1/2
001		544173600	UPPER PLATE PC-712G CF6-712G/GV
001		544173300	LEFT SIDE PANEL RANGE S.70
001		537005600	6 FLAME IGNITION CONTROL BOX V230
001		541104800	CONTROL PANEL CF6-712GEV
001		536005200	INOX LEG 2" 120-180 M10
001		544173200	RIGHT SIDE PANEL RANGE S.70
002		533023600	TAP PLUG §10 M16*1, 5CH19
002		533039300	BICONE §10
002		533010800	TUBE NUT D.10 M16*1,5
003		544187100	OVEN INNER DOOR GN 2/1 S.70
003		531022900	HINGE DOOR WHEEL HOLDER S.70
003		531022800	LEFT OVEN DOOR HINGE S.70
003		531022700	RIGHT OVEN DOOR HINGE 70LINE
003		544186900	OVEN DOOR GN 2/1 S.70
003		531013100	OVEN DOOR HANDLE OF 70/90-LINE
003		544187200	
003		544187000	OVEN DOOR GN 3/1 S.70
004		533037600	LOCK SPRING FOR BULB
004		536010800	OVEN GASKET GN 2/1 (1261)
004		531030500	LHD SUPPORT GRID FOR OVEN OF 70LINE
004		531030200	OVEN GRID GN 2/1 FOR 70 LINE
004		531030400	RHD SUPPORT GRID FOR OVEN OF 70LINE
004		544198900	70 ELECTRICAL OVEN BOTTOM GN2/1
005		537012800	SAFETY THERMOSTAT 420°C THREEPHASE
005		539018800	INDEX FOR OVEN KNOB
005		539023800	SIGN PLATE FOR OVEN TIMER
005		539023900	SIGN PLATE FOR OVEN TEMPERATURE
005		537014100	WHITE WARNING LIGHT 250V
005		537014200	GREEN WARNING LIGHT 250V
005		531024800	TIMER 120'- 360°
005		536013800	KNOB D.70 BLACK 6*5 WITH SPRING
005		539023600	ADHESIVE GRADUATED DISC FOR KNOB
005		537000900	THERMOSTAT 50-320°C THREEPHASE
005		537001200	FIXING BRACKET FOR THERMOSTAT/COMM.
005		537000200	COMMUTATOR 1 POS. 3PHASE S.49 16A
005		539017900	ADHESIVE GRADUATED DISC FOR KNOB
005		537020900	HEATING ELEMENT 1000W 230V OVEN S70
006		541100900	INNER DOOR 73
006		536000200	D.12 H.4 BUMPER
006		531007600	DOOR HINGE
006		544182500	RIGHT DOOR 73
006		536021100	BLACK HANDLE 70LINE + 2RED POINTS
006		544182400	RIGHT DOOR 73
006		541101000	INNER DOOR 74



Page	Pos	Code	Description
006		544182100	LEFT DOOR 74
006		544182000	RIGHT DOOR 74
006		544185500	UPPER DOOR HINGE FOR COMPARTME CF70
006		531000900	MAGNET §22 KG.3 WITH DISK
006		541101300	RIGHT INNER DOOR 74 CF
006		544185100	RIGHT DOOR 74
006		544185400	LOWER DOOR HINGE FOR COMPARTME CF70
007		537010300	PLUG IGNITION WITH SPRING PC65
007		532001800	QUICKBURNER §102
007		533011100	THERMOCOUPLE 600 M8*1
007		547003400	HIGH-VOLTAGE CABLE L=900
007		533009800	BRASS NUT M8*1
007		532001700	QUICKBURNER §82
007		532001600	BURNER BODY 5,5 KW
007		532001500	BURNER BODY 3,5 KW
007		533010800	TUBE NUT D.10 M16*1,5
007		533039300	BICONE §10
007		533052300	JOINT FOR NOZZLE HOLDER
007		533052400	NUT M20*1 H4
007		533053000	AIR ADJUSTMENT BUSHING §18
007		532001300	BURNER VENTURI 3,5 KW
007		532001400	BURNER VENTURI 5,5 KW
007		533053100	AIR ADJUSTMENT BUSHING §20
007		537015600	BIPOLAR SWITCH
007		531025900	SAFETY TAP 20S-B PEL20S21070
007		539018900	INDEX FOR KNOB
007		533069000	BY PASS COCK §70 20S-21S
007		536017100	BLACK KNOB §70 PIN §8*6,5
007		539022500	ADHESIVE GRADUATED DISC FOR KNOB
007		531025800	SAFETY TAP 20S-B PEL20S2160
007		533069100	BY PASS COCK §60 20S
007		533015400	NOZZLE §93 CH12*14 G-PC4 R
007		533043400	NOZZLE §117 CH12*14 G-PC4 UR
007		533015300	NOZZLE §82 CH12*14 F-PC4 R
007		533043300	NOZZLE §103 CH12*14 F-PC4 UR
007		533015200	NOZZLE §145 CH12*14 F-FP/CP6
007		533019400	NOZZLE §180 CH12*14 L-FQ5
007		533030300	NOZZLE §160 CH12*14 M-FPG
007		533043600	NOZZLE §200 CH12*14 L-PC4 UR
007		533014900	NOZZLE §150 CH12*14 F-FQ5 L-FQ6
007		533043500	NOZZLE §190 CH12*14 G25 PC4R