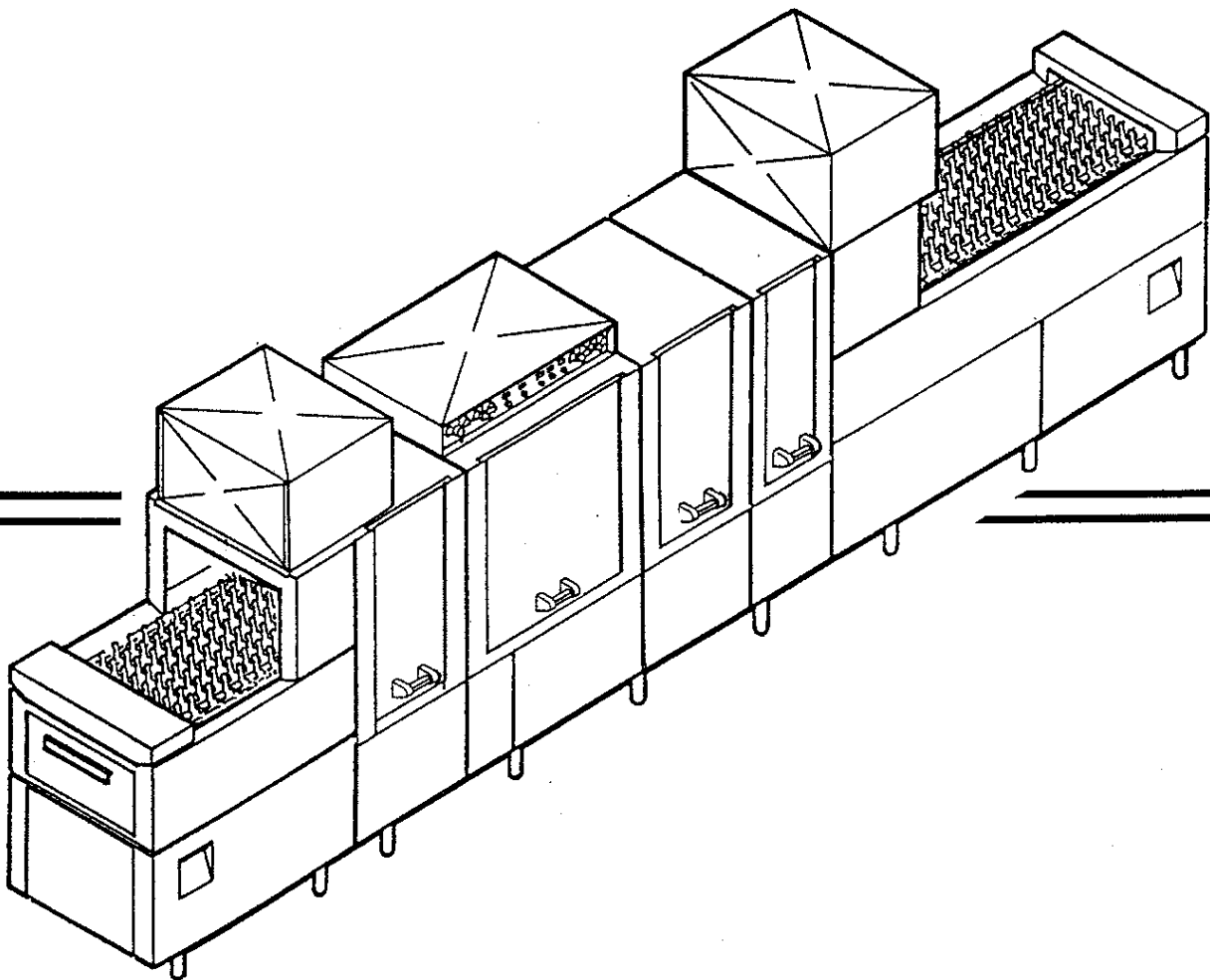


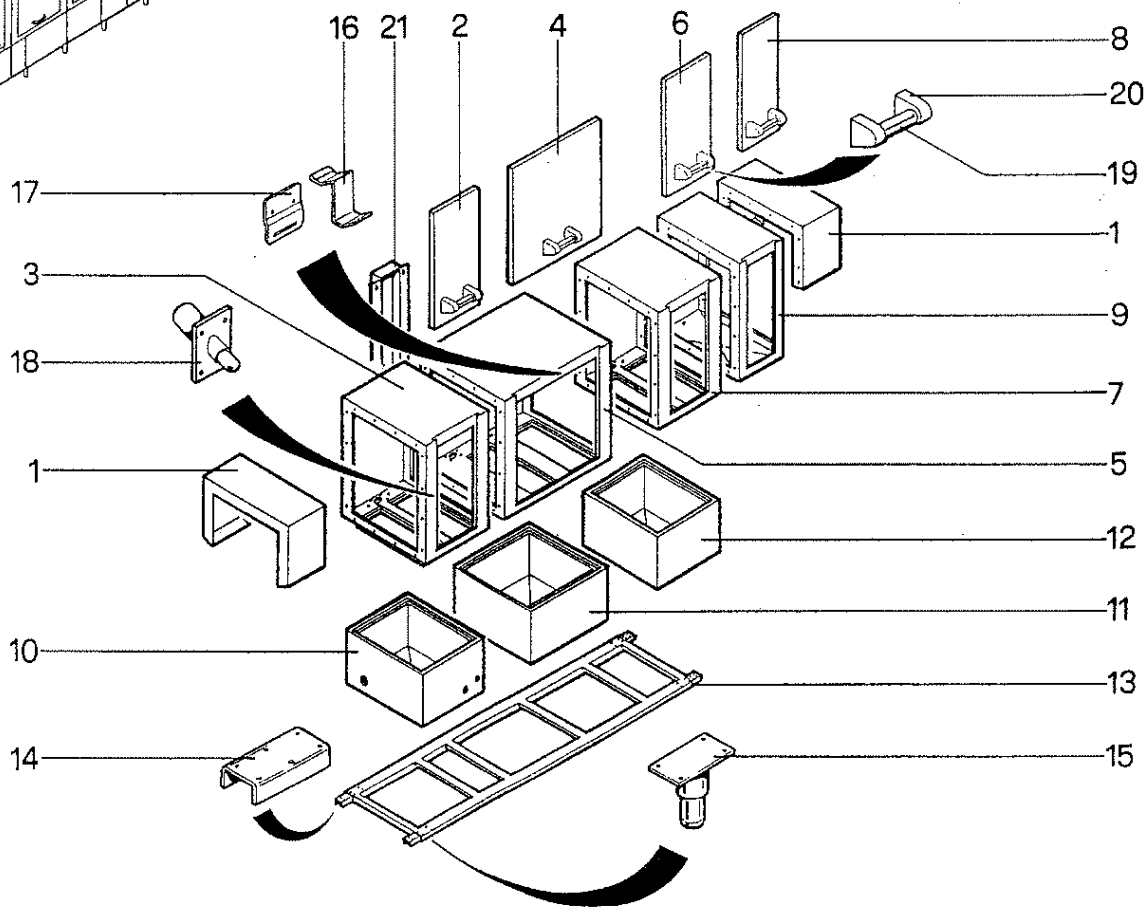
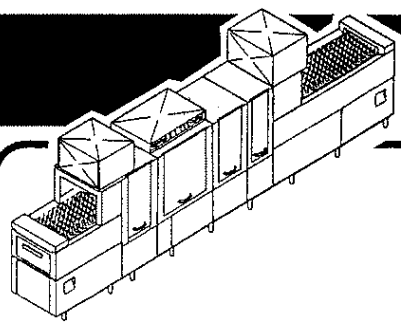
mod.NASTRO

SILANOS



mod.NASTRO

SILANOS



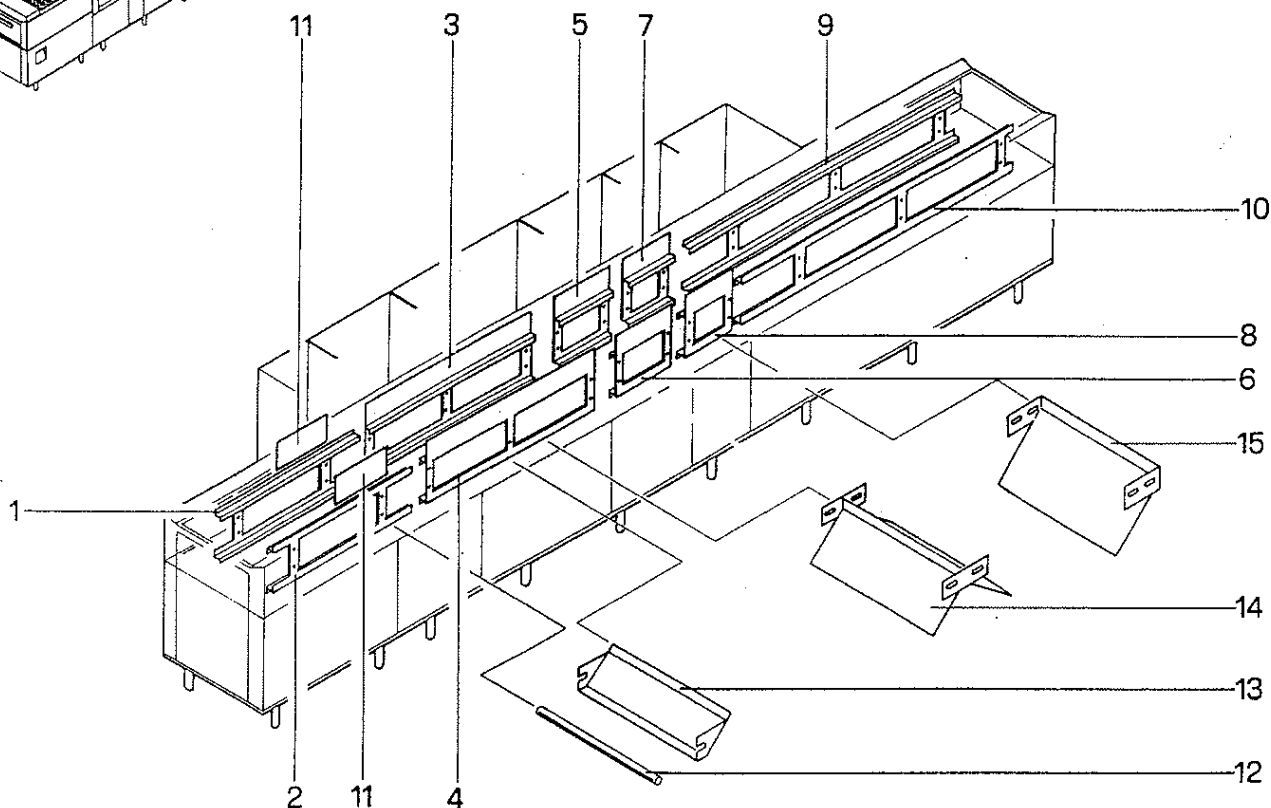
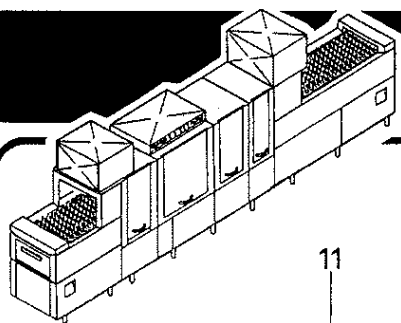
1993

tavola n° 1

POS.	CODICE	DESCRIZIONE	DENOMINATION	DESCRIPTION	BEZEICHNUNG
1	TR3050	CAPOT PARASPRUZZI	CAPOTE GARDE-JETS	HOOD SPRAY-GUARD	SPRITZSCHUTZ
2	TR1007	PORTA PRELAVAGGIO	PORTE PRÉLAVAGE	PREWASHING DOOR	TÜR VORSPÜLUNG
3	TR3051	CAPOT PRELAVAGGIO	CAPOTE PRÉLAVAGE	PREWASHING HOOD	VORSPÜLUNG KAROSSERIE
4	TR1008	PORTA LAVAGGIO	PORTE LAVAGE	WASHING DOOR	TÜR SPÜLUNG
5	TR3052	CAPOT LAVAGGIO	CAPOTE LAVAGE	WASHING HOOD	SPÜLUNG KAROSSERIE
6	TR1009	PORTA PRERISCIACQUO	PORTE PRÉRINÇAGE	PRERINSE DOOR	TÜR VORNASCHSPÜLUNG
7	TR3053	CAPOT PRERISCIACQUO	CAPOTE PRÉRINÇAGE	PRERINSE HOOR	VORNASCHSPÜLUNG KAROSSERIE
8	TR1010	PORTA RISCIAQUO	PORTE RINÇAGE	RINSE DOOR	TÜR NASCHSPÜLUNG
9	TR3054	CAPOT RISCIAQUO	CAPOTE RINÇAGE	RINSE HOOR	NASCHSPÜLUNG HAUBE
10	TR3040	VASCA PRELAVAGGIO	CUVE DE PRÉLAVAGE	PREWASHING TANK	VORSPÜLUNG TANK
11	TR3041	VASCA LAVAGGIO	CUVE DE LAVAGE	WASHING TANK	SPÜLUNG TANK
12	TR3042	VASCA PRERISCIACQUO	CUVE DE PRÉRINÇAGE	PRERINSE TANK	VORSPÜL TANK
13	TR3010	TELAIO MACCHINA N 3500	CHASSIS MOD. N 3500	FRAME N 3500	RAHMEN N 3500
13	TR3011	TELAIO MACCHINA N 5000	CHASSIS MOD. N 5000	FRAME N 5000	RAHMEN N 5000
13	TR3012	TELAIO MACCHINA N 6000	CHASSIS MOD. N 6000	FRAME N 6000	RAHMEN N 6000
13	TR3013	TELAIO MACCHINA N 7500	CHASSIS MOD. N 7500	FRAME N 7500	RAHMEN N 7500
13	TR3014	TELAIO MACCHINA N 9000	CHASSIS MOD. N 9000	FRAME N 9000	RAHMEN N 9000
14	TR3030	GRUNZIONE TELAIO	JONCTION CHASSIS	JUNCTION FRAME	VERBINDUNG RAHMEN
15	TR0299	PIEDE	PIED	FOOT	FUSS
16	TR3060	AGGANCIAMENTO PORTA	CROKET PORTE	HOOT DOOR	KUPPLUNGSTÜR
17	TR0650	SQUADRETTA	EQUERRE	BRACKET	WINKEL
18	TR0620	BLOCCO PORTA	CROKET PORTE	HOOT DOOR	NUT MUTTER
19	TR1022	TUBO PER MANIGLIA	POIGNEE'	HANDLE	HANDGRIFF
20	TR1023	SUPPORTO MANIGLIA	SUPPORT POUR POIGNEE'	HANDLE SUPPORT	TÜRGRIFHALTERUNG
21	TR3070	CARTER POSTERIORE	CARTER POSTERIEUR	BACK CASING	HINTERE KASTEN

mod.NASTRO

SILANOS



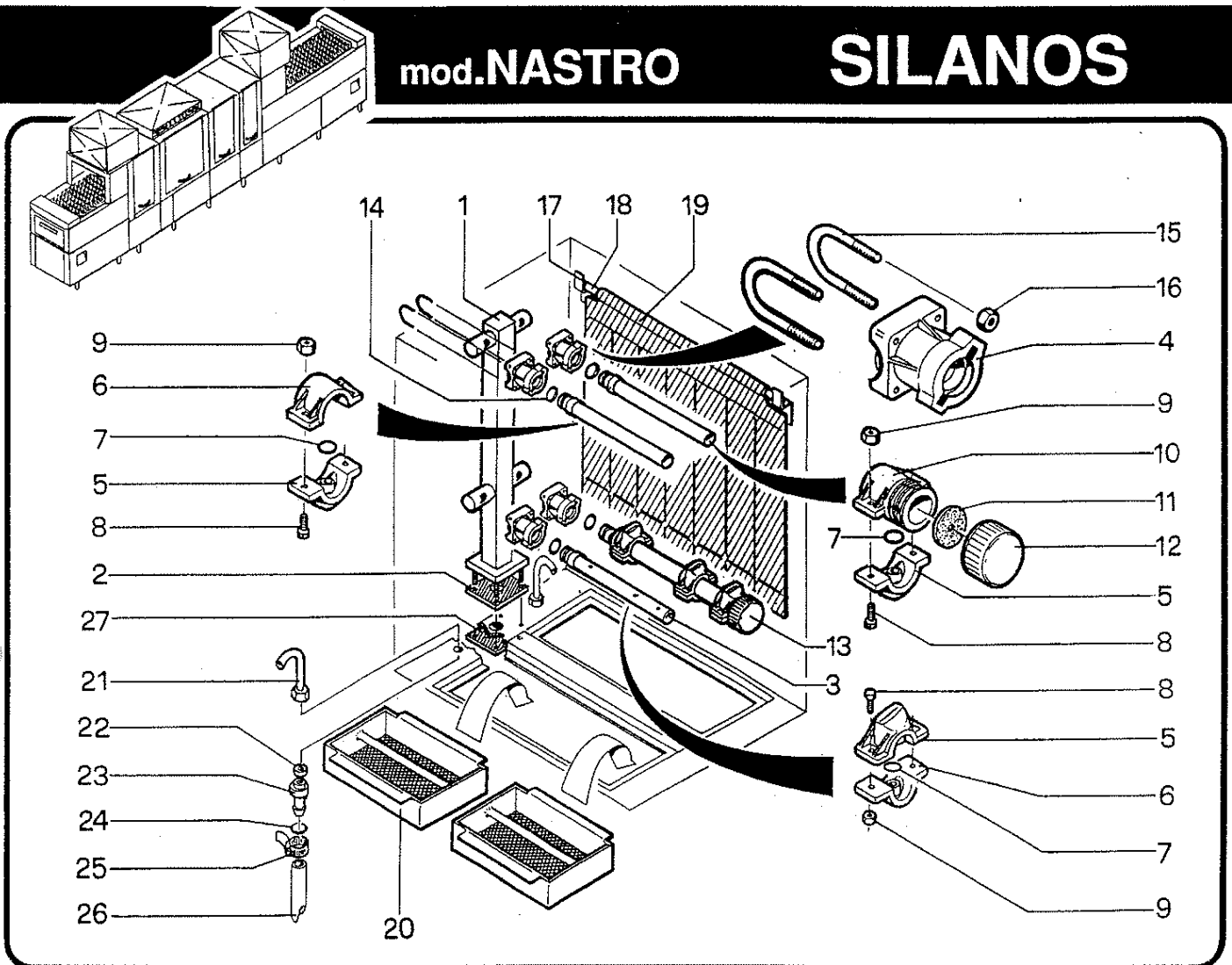
1993

tavola n° 2

POS.	CODICE	DESCRIZIONE	DENOMINATION	DESCRIPTION	BEZEICHNUNG
1	TR3080	GUIDA PER MENSOLA ENTRATA DA 1200 SX	RAIL POUR TABLE ENTRÉE 1200 MM SX	TRACK FOR LOADING SECTOR 1200 L	FÜHRUNG EINLAUF TISCH 1200 MM L
2	TR3081	GUIDA PER MENSOLA ENTRATA DA 1200 DX	RAIL POUR TABLE ENTRÉE 1200 MM DX	TRACK FOR LOADING SECTOR 1200 R	FÜHRUNG EINLAUF TISCH 1200 MM R
3	TR3082	GUIDA DA 1600 SX	RAIL 1600 MM SX	TRACK 1600 L	FÜHRUNG 1600 MM L
4	TR3083	GUIDA DA 1600 DX	RAIL 1600 MM DX	TRACK 1600 R	FÜHRUNG 1600 MM R
5	TR3084	GUIDA DA 600 SX	RAIL 600 MM SX	TRACK 600 L	FÜHRUNG 600 MM L
6	TR3085	GUIDA DA 600 DX	RAIL 600 MM DX	TRACK 600 R	FÜHRUNG 600 MM R
7	TR3086	GUIDA DA 400 SX	RAIL 400 MM SX	TRACK 400 L	FÜHRUNG 400 MM L
8	TR3087	GUIDA DA 400 DX	RAIL 400 MM DX	TRACK 400 R	FÜHRUNG 400 MM R
9	TR3088	GUIDA PER MENSOLA USCITA DA 1800 SX	RAIL POUR TABLE SORTIE 1800 SX	TRACK FOR UNLOADING SECTOR 1800 L	FÜHRUNG AUSLAUF TISCH 1800 MM L
9	TR3090	GUIDA PER MENSOLA USCITA DA 2200 SX	RAIL POUR TABLE SORTIE 2200 SX	TRACK FOR UNLOADING SECTOR 2200 L	FÜHRUNG AUSLAUF TISCH 2200 MM L
10	TR3089	GUIDA PER MENSOLA USCITA DA 1800 DX	RAIL POUR TABLE SORTIE 1800 DX	TRACK FOR UNLOADING SECTOR 1800 R	FÜHRUNG AUSLAUF TISCH 1800 MM R
10	TR3091	GUIDA PER MENSOLA USCITA DA 2200 DX	RAIL POUR TABLE SORTIE 2200 DX	TRACK FOR UNLOADING SECTOR 2200 R	FÜHRUNG AUSLAUF TISCH 2200 MM R
11	TR3092	GUIDA CAPOT PARASPRUZZI	RAIL CAPOTE GARDE-JETS	TRACK HOOD SPRAY GUARD	SPRITZSCHUTZ FÜHRUNG
12	TR3110	ALBERO DISTANZIALE GUIDE	ENTRETOISE	DISTANCE ROD	DISTANZWELLE
13	TR3120	SPARTIACQUA LAVAGGIO INF.	SÉPARATEUR D'EAU LAVAGE INF.	WATER SEPAR. UNDER WASHING	WASSERTRENNER UNTER SPÜLLUNG
14	TR3121	SPARTIACQUA LAVAGGIO SUP.	SÉPARATEUR D'EAU LAVAGE SUP.	WATER SEPAR. UPPER WASHING	WASSERTRENNER ÜBER SPÜLLUNG
15	TR3122	SPARTIACQUA RISCIAQUO	SÉPARATEUR RINÇAGE	WATER SEPAR. FINAL RINSE	WASSERTRENNER NACHSPÜLLUNG

mod.NASTRO

SILANOS



1993

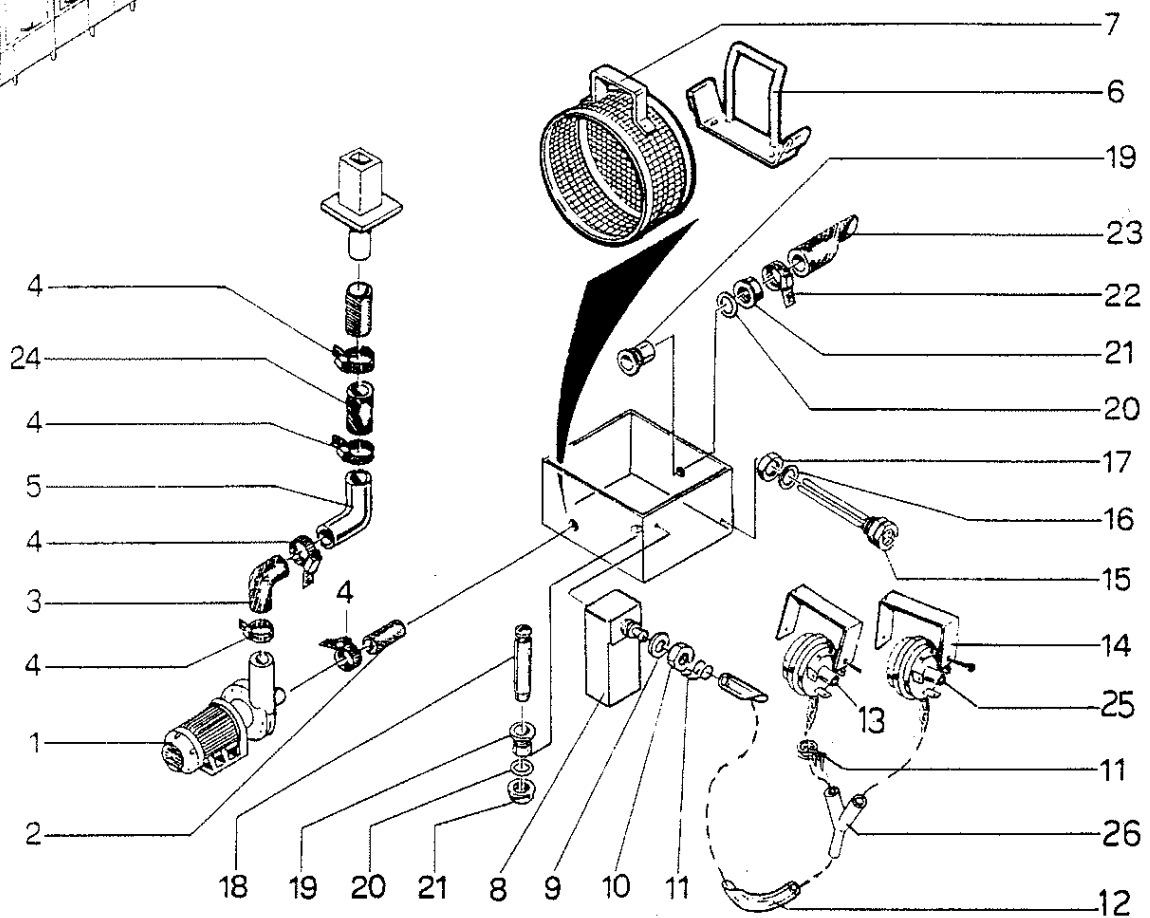
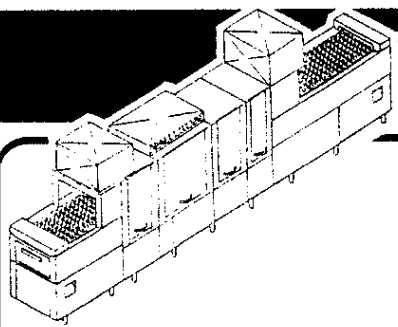
PRELAVAGGIO

tavola n° 3

POS.	CODICE	DESCRIZIONE	DENOMINATION	DESCRIPTION	BEZEICHNUNG
1	TR3130	COLONNA PRELAVAGGIO.	COLONNE PRÉLAVAGE.	PREWASHING PIPE	VORSPÜLUNG SAÜLE
2	TR0198	GUARNIZIONE COLONNA	JOINT COLONNE	GASKET PREWASHING PIPE	DICHTUNG SAÜLE
3	TR3131	BRACCIO PRELAVAGGIO.	BRAS PRÉLAVAGE.	PREWASHING ARM	VORSPÜLUNG ARM
4	TR0378	SUPPORTO LAVAGGIO	SUPPORT DE LAVAGE	WASHING SUPPORT	SPÜLALTERUNG
5	TR0141	GETTO LAVAGGIO	JET DE LAVAGE	WASHING JET	WASCHDÜSE
6	TR0030	COLLARE PER GETTO	COLLIER POUR JET	COLLAR FOR JET	KRAGEN DÜSE
7	TR0201	O-RING	O-RING	O-RING	O-RING
8	907790	VITE TE M6X16	VIS	SCREW	SCHRAUBE
9	902010	DADO M6	ECROU	NUT	MUTTER
10	TR0032	COLLARE TERMINALE	COLLIER FINAL	TERMINAL COLLAR	ENDKRAGEN
11	TR2051	GUARNIZIONE TAPPO	JOINT BOUCHON	GASKET	DICHTUNG
12	TR2054	TAPPO PER BRACCIO	BOUCHON	PLUG	PROPfen
13	TR3132	BRACCIO PREL. COMP.	BRAS PRELAVAGE COMPL.	COMPL. PREWAS. ARM	KOMPL. VORSPÜLUNG ARM
14	904370	O-RING	O-RING	O-RING	O-RING
15	TR1085	TIRANTE PER SUPP. LAVAGGIO	TIRANT SUPPORT DE LAVAGE	CONNECTING ROB	ZUGSTAB
16	901991	DADO AUTOBLOCCANTE M4	ECROU	NUT	MUTTER
17	TR2161	SQUADRETTA SUPP. TENDINA	EQUERRE POR RIDEAU	BRACKET CURTAIN	WINKEL SPRITZSCHUTZ
18	TR1016	ALBERO PER TENDINA	ARBRE RIDEAU	CURTAIN ROD	HALTERUNG
19	TR0471	TENDINA	RIDEAU	CURTAIN	SPRITZSCHUTZ
20	TR1017	FILTRO	FILTRE	FLTER	FLTER
21	TR1019	PIPA CARICO VASCA	TUYAU ALIM. CUVE	TANK LOADING PIPE	TANKFÜLLUNG
22	903410	GUARNIZIONE	JOINT	GASKET	DICHTUNG
23	906015	RACCORDO	RACCORD	PIPE FITTING	ANSCHLUSSE
24	904330	O-RING	O-RING	O-RING	O-RING
25	902450	FASCETTA Ø 15+24	COLLIER	CLAMP	SCHELLE
26	907350	TUBO GOMMA 22X12	TUYAU EN CAOUTCHOUC	RUBBER PIPE	GUMMISCHLAUCH
27	TR2058	CONTROFLANGIA	CONTREBRIDE	COUPLING PIPE	GEGEN FLANSCH

mod.NASTRO

SILANOS



1993

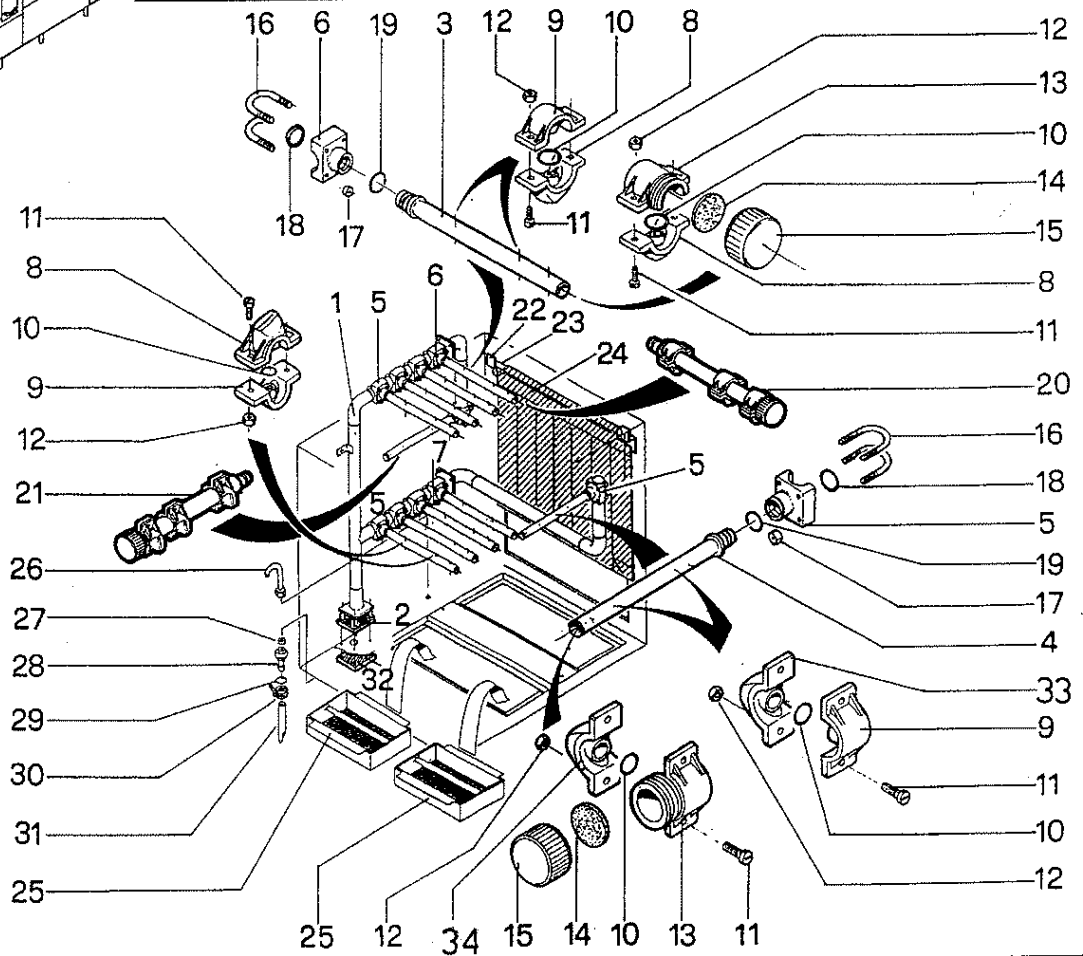
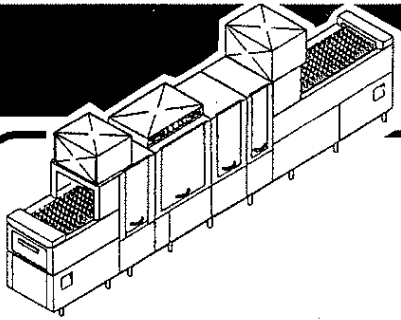
VASCA PRELAVAGGIO

tavola n° 4

POS.	CODICE	DESCRIZIONE	DENOMINATION	DESCRIPTION	BEZEICHNUNG
1	TR0060	POMPA 1,5 HP	POMPE	PUMP	PUMPE
2	TR0477	MANICOTTO 60 X 70	MANCHON	JOINT PIPE	VERBINDUNG
3	TR1025	TUBO GOMMA	TUYAU EN CAOUTCHOUC	RUBBER PIPE	GUMMISCHLAUCH
4	902490	FASCETTA Ø 58-75	COLLIER	CLAMP	SHELLE
5	TR1026	TUBO MANDATA	TUYAU ALIMENTATION	PRESSURE PIPE	DRUCKSCHLAUSCH
6	TR3100	GUIDA FILTRO	RAIL FILTRE	TRACK FILTER	FÜHRUNG FILTER
7	TR3200	FILTRO ASPIRAZIONE POMPA	FILTRE	FILTER	FILTER
8	TR0268	TRAPPOLA ARIA	RESERVOIR A AIR	AIR TRAP	LUFTFALLE
9	903260	GUARNIZIONE GOMMA 3/8"	JOINT	GASKET	DICHTUNG
10	902100	GHIERA 3/8"	VIROLE	LOCK NUT	NUTMUTTER
11	902425	FASCETTA ELASTICA	COLLIER	CLAMP	SHELLE
12	907271	TUBETTO PRESSOSTATO	TUYAU PRESSOSTAT	PRESSURE SWITCH PIPE	SCHLAUCH
13	905275	PRESSOSTATO	PRESSOSTAT	PRESSURE SWITCH	DRUCK WAECHTER
14	TR3220	SQUADRETTA PRESSOSTATO	EQUERRE	BRACKET	WINKEL
15	TR0298	PORTABULBO	SIÈGE DE BULBE	SEATING BULB	KUGELSTZ
16	903250	GUARNIZIONE 1/2" GAS	JOINT	GASKET	DICHTUNG
17	902110	GHIERA 1/2" GAS	VIROLE	LOCK NUT	NUTMUTTER
18	TR1024	TROPPO PIENO	NIVEAU	OVER FLOW	UBERLAUFROHR
19	905450	RACCORDO SCARICO	RACCORD DE DECHARGEMENT	OUTLET PIPE FITTING	ABLAUFANSCHLUSS
20	903880	O-RING	O-RING	O-RING	O-RING
21	902080	GHIERA 1/4"	VIROLE	LOCK NUT	NUTMUTTER
22	902481	FASCETTA Ø 40-55	COLLIER	CLAMP	SHELLE
23	TR1027	TUBO GOMMA	TUYAU EN CAOUTCHOUC	RUBBER PIPE	GUMMISCHLAUCH
24	TR0475	MANICOTTO 50 X 60	MANCHON	JOINT PIPE	VERBINDUNG
25	905270	PRESSOSTATO SICUREZZA	PRESSOSTAT SECURITE'	SAFETY PRESSURE SWITCH	DRUCK WAECHTER
26	905423	RACCORDO A Y..	RACCORD	PIPE FITTING	ANSCHLUSSE

mod.NASTRO

SILANOS



1993

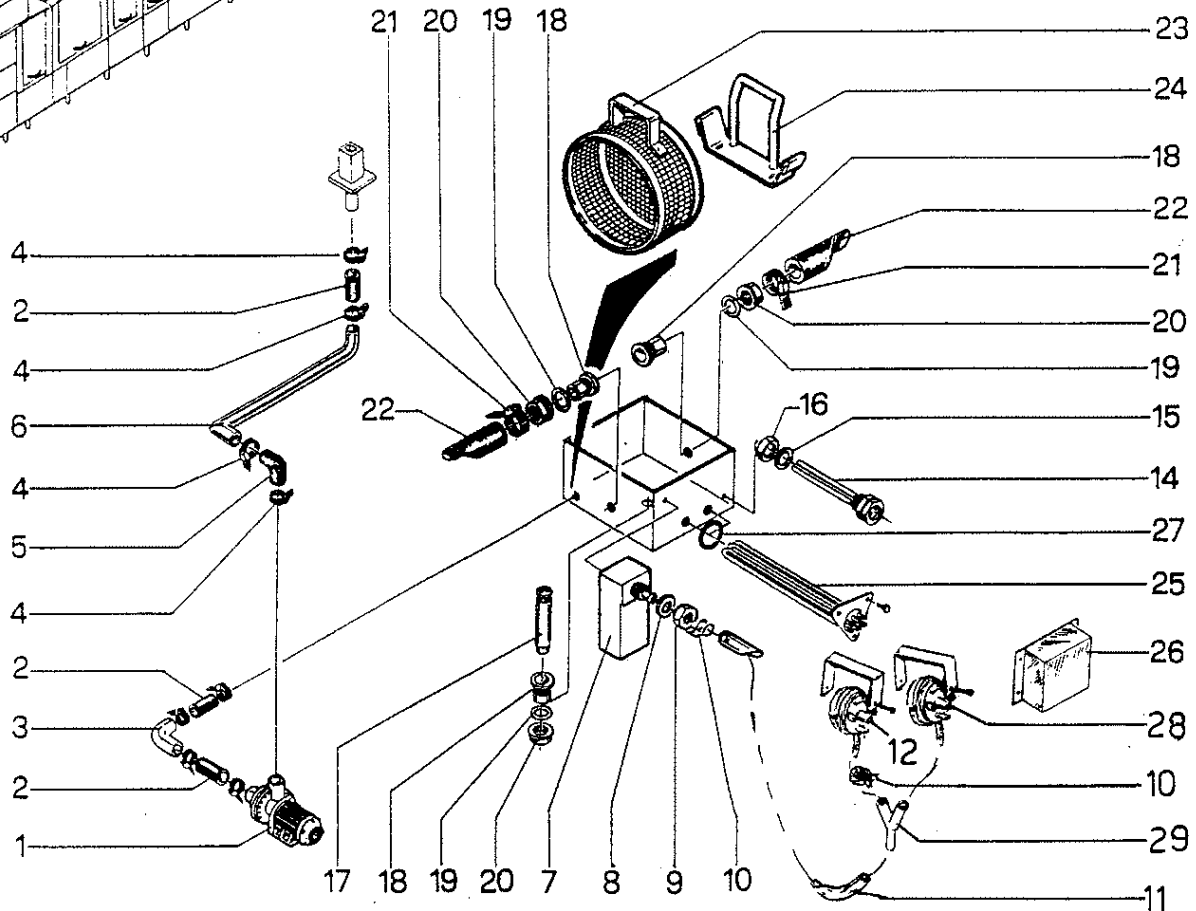
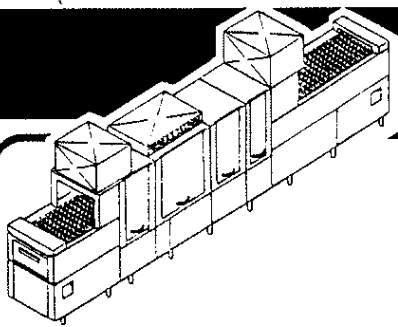
LAVAGGIO

tavola n° 5

POS.	CODICE	DESCRIZIONE	DENOMINATION	DESCRIPTION	BEZEICHNUNG
1	TR3140	COLONNA DI LAVAGGIO	COLONNE DE LAVAGE	WASHING PIPE	SPÜLUNG SAULE
2	TR0198	GUARNIZIONE COLONNA	JOINT COLONNE	GASKET WASHING PIPE	DICHTUNG SAULE
3	TR3131	BRACCIO DI LAVAGGIO	BRAS DE LAVAGE	WASHING ARM	SPÜLARM
4	TR3141	BRACCIO DI LAVAGGIO LATER.	BRAS DE LAVAGE CENTRAL	CENTRAL WASHING ARM	ZENTRAL SPÜLARM
5	TR0378	SUPPORTO LAVAGGIO	SUPPORT DE LAVAGE	WASHING SUPPORT	SPÜLALTERUNG
6	TR0377	SUPPORTO LAVAGGIO	SUPPORT DE LAVAGE	WASHING SUPPORT	SPÜLALTERUNG
7	TR0379	SUPPORTO LAVAGGIO	SUPPORT DE LAVAGE	WASHING SUPPORT	SPÜLALTERUNG
8	TR0141	GETTO LAVAGGIO	JET DE LAVAGE	WASHING JET	WASCHDÜSE
9	TR0030	COLLARE PER GETTO	COLLIER POUR JET	COLLAR FOR JET	KRAGEN DÜSE
10	TR0201	O-RING	O-RING	O-RING	O-RING
11	907790	VITE TE M6X16	VIS	SCREW	SCHRAUBE
12	902010	DADO M6	ECROU	NUT	MUTTER
13	TR0032	COLLARE TERMINALE	COLLIER FINAL	TERMINAL COLLAR	ENDKRAGEN
14	TR2051	GUARNIZIONE TAPPO	JOINT BOUCHON	GASKET	DICHTUNG
15	TR2054	TAPPO PER BRACCIO	BOUCHON	PLUG	PROPfen
16	TR1065	TIRANTE PER SUPP. LAVAGGIO	TIRANT SUPPORT DE LAVAGE	CONNECTING ROB	ZUGSTAB
17	901991	DADO AUTOBLOCCANTE M4	ECROU	NUT	MUTTER
18	TR2059	RIDUZIONE SUPPORTO BRACCIO	REDUCTION POUR SUPPORT BRAS	REDUCTION ARM SUPPORT	REDUKTION ARM HALTERUNG
19	904370	O-RING	O-RING	O-RING	O-RING
20	TR3132	BRACCIO DI LAVAGGIO COMPL.	BRAS DE LAVAGE COMPL.	COMPLETE WASHING ARM	KOMPLETTE SPÜLARM
21	TR3142	BRACCIO DI LAVAGGIO LATERALE COMPLETO	BRAS DE LAVAGE COMPL.	COMPLETE WASHING ARM	KOMPLETTE SPÜLARM
22	TR2162	SQUADRETTA SUPP. TENDINA	EQUERRE POUR RIDEAU	BRACKET CURTAIN	WINKEL SPRITZSCHUTZ
23	TR1016	ALBERO PER TENDINA	ARBRE RIDEAU	CURTAIN ROD	HALTERUNG
24	TR0471	TENDINA	RIDEAU	CURTAIN	SPRITZSCHUTZ
25	TR1017	FILTRO	FILTRE	FILTER	FILTER
26	TR1019	PIPA CARICO VASCA	TUYAU ALIM. CUVE	TANK LOADING PIPE	TANKFÜLLUNG
27	903410	GUARNIZIONE	JOINT	GASKET	DICHTUNG
28	906015	RACCORDO	RACCORD	PIPE FITTING	ANSCHLUSSE
29	904330	O-RING	O-RING	O-RING	O-RING
30	902450	FASCETTA Ø 15x24	COLLIER	CLAMP	SHELLE
31	907350	TUBO GOMMA 22X12	TUYAU EN CAOUTCHOUC	RUBBER PIPE	GUMMISCHLAUCH
32	TR2058	CONTROFLANGIA	CONTREBRIDE	COUPLING PIPE	GENEN FLANSCH
33	TR0160	GETTO LAVAGGIO LAT. TANG. I.	JET DE LAVAGE	WASHING JET	WASCHDÜSE
34	TR0140	GETTO LAVAGGIO TANG. DIR.	JET DE LAVAGE	WASHING JET	WASCHDÜSE

mod.NASTRO

SILANOS



1993

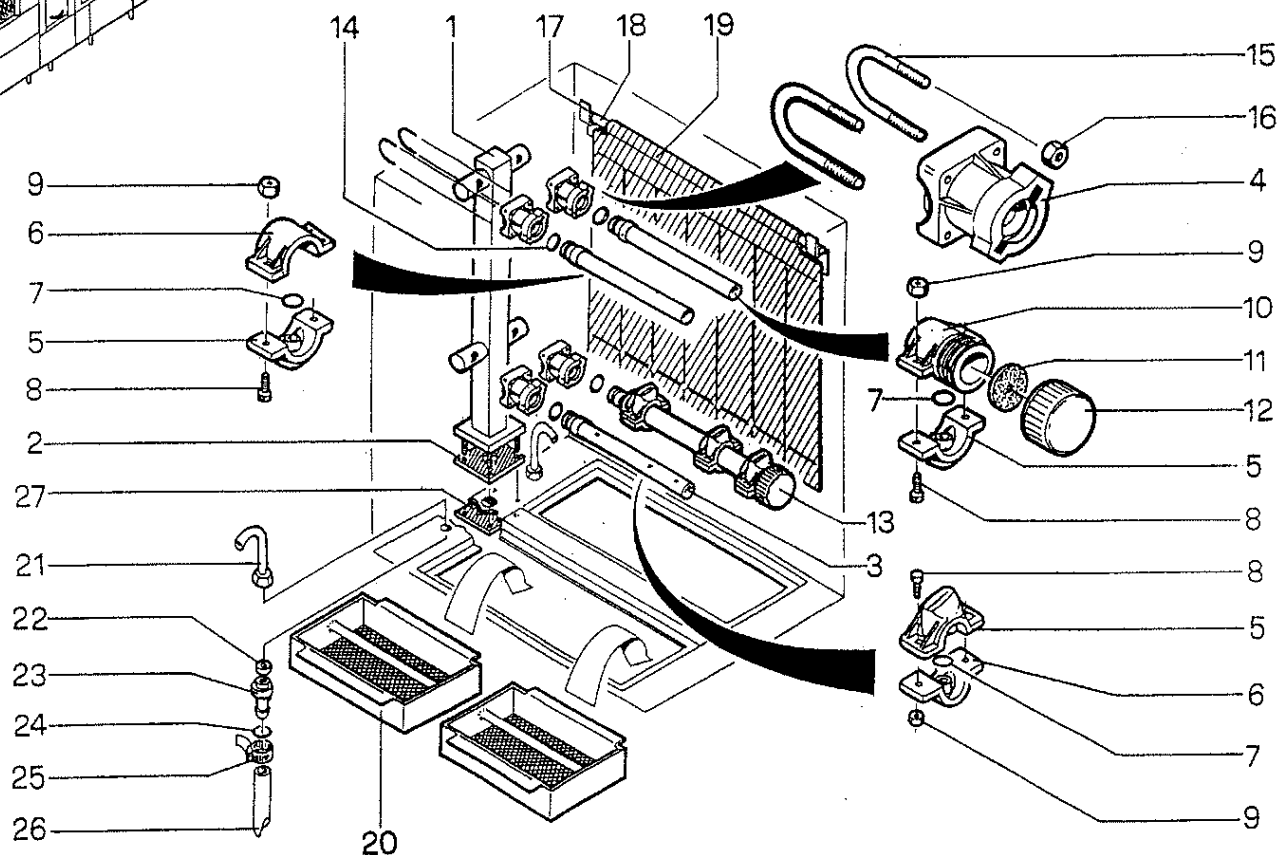
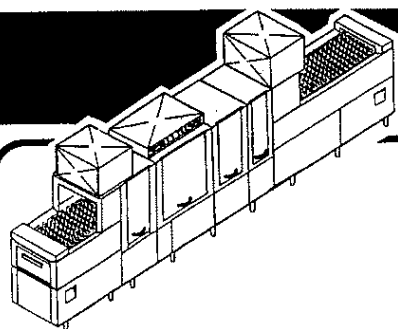
VASCA LAVAGGIO

tavola n° 6

POS.	CODICE	DESCRIZIONE	DENOMINATION	DESCRIPTION	BEZEICHNUNG
1	TR0083	POMPA 3,6 HP	POMPE	PUMP	PUMPE
2	TR0477	MANICOTTO	MANCHON	JOINT PIPE	VERBINDUNG
3	TR1034	TUBO ASPIRAZIONE	COUDE-ASPIRATION	SUCTION HOSE	DRUCKSTUTZE
4	902490	FASCETTA Ø 58-75	COLLIER	CLAMP	SCHELLE
5	TR1035	TUBO MANDATA GOMMA	TUYAU ALIMENTATION CHOUT	LOADING RUBBER PIPE	GUMMAUSGUSSRÖHRE
6	TR1036	TUBO MANDATA INOX	TUYAU ALIMENTATION INOX	LOADING PIPE	AUSGUSSRÖHRE
7	TR0268	TRAPPOLA ARIA	RESERVOIR A AIR	AIR TRAP	LUFTFALLE
8	903260	GUARNIZIONE GOMMA 3/8"	JOINT	GASKET	DICHTUNG
9	902100	GHIERA 3/8"	VIROLE	LOCK NUT	NUTMUTTER
10	902425	FASCETTA ELASTICA	COLLIER	CLAMP	SCHELLE
11	907271	TUBETTO PRESSOSTATO	TUYAU PRESSOSTAT	PRESSURE SWITCH PIPE	SCHLAUCH
12	905275	PRESSOSTATO	PRESSOSTAT	PRESSURE SWITCH	DRUCK WAECHTER
13	TR3220	SQUADRETTA PRESSOSTATO	EQUERRE	BRACKET	WINKEL
14	TR0298	PORTABULBO	SIÈGE DE BULBE	SEATING BULB	KUGELSTZ
15	903250	GUARNIZIONE 1/2" GAS	JOINT	GASKET	DICHTUNG
16	902110	GHIERA 1/2" GAS	VIROLE	LOCK NUT	NUTMUTTER
17	TR1031	TROPPO PIENO	NIVEAU	OVER FLOW	UBERLAUFROHR
18	905450	RACCORDO SCARICO	RACCORD DE DECHARGEMENT	OUTLET PIPE FITTING	ABLAUFANSCHLUSS
19	903880	O-RING	O-RING	O-RING	O-RING
20	902080	GHIERA RACCORDO SCARICO	MANCHIN DÉCHARGEMENT	LOOK NUT OUTLET PIPE FITTING	KAUTMUTTER ABLAUF
21	902481	FASCETTA Ø 40-55	COLLIER	CLAMP	SCHELLE
22	TR1027	TUBO GOMMA	TUYAU EN CAOUTCHOUC	RUBBER PIPE	GUMMSCHLAUCH
23	TR3200	FILTRO ASPIRAZIONE POMPA	FILTRE	FILTER	FILTER
24	TR3100	GUIDA PER FILTRO ASPIRAZ.	RAIL POUR FILTRE ASPIRATION	TRACK FILTER	FÜHRUNG FILTER
25	TR0340	RESISTENZA 6000 W	RESISTANCE	HEATING ELEMENT	HEIZKÖRPER
25	TR0335	RESISTENZA 8000 W	RESISTANCE	HEATING ELEMENT	HEIZKÖRPER
26	TR1037	COPRIRESISTENZA	PROTECTION RESISTANCE	HEATING COVER	HEIZKÖRPER SCHUTZ
27	TR0190	GUARNIZIONE RESISTENZA	JOINT RESISTANCE	HEATING GASKET	HEIZKÖRPER LUFTFALLE
28	905270	PRESSOSTATO SICUREZZA	PRE SSOSTAT SECURITE'	SAFETY PRESSURE SWITCH	DRUCK WAECHTER
29	905423	RACCORDO A 'Y'	RACCORD	PIPE FITTING	ANSCHLUSSE

mod.NASTRO

SILANOS



1993

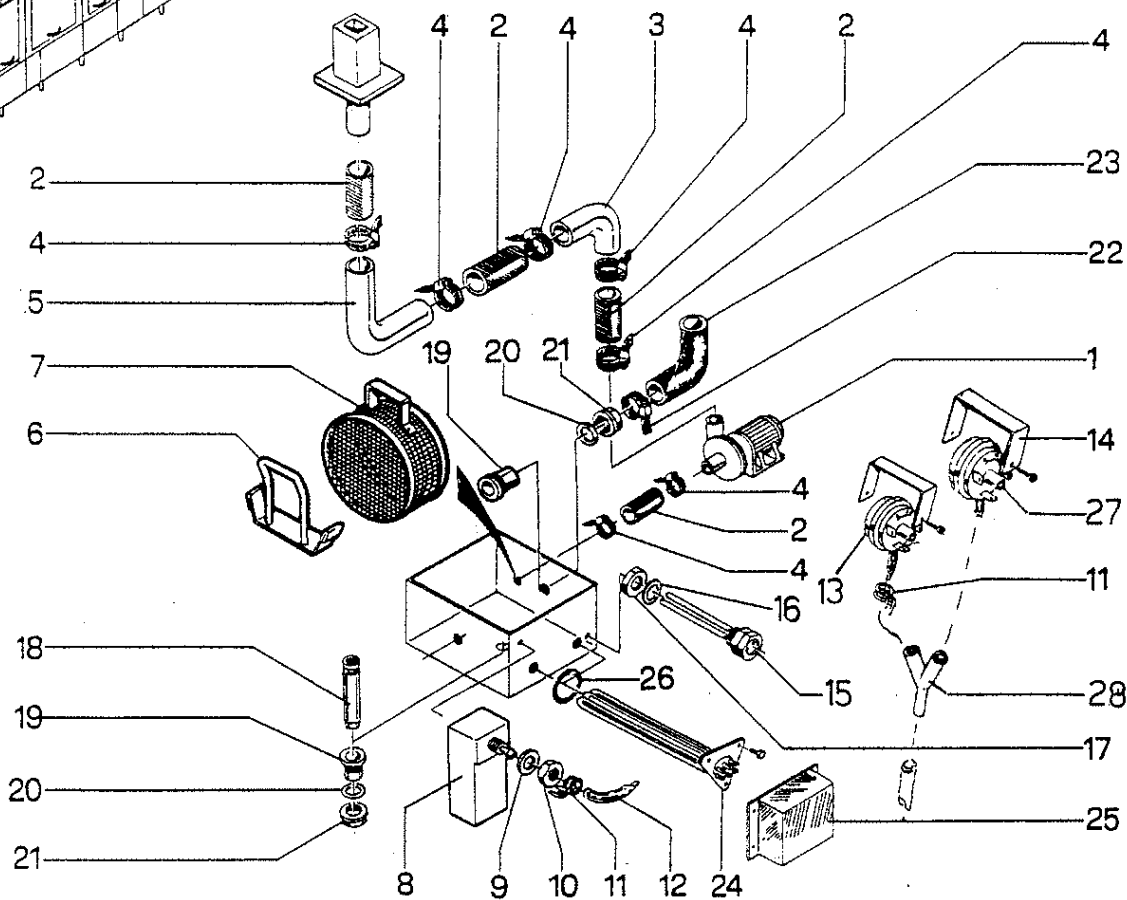
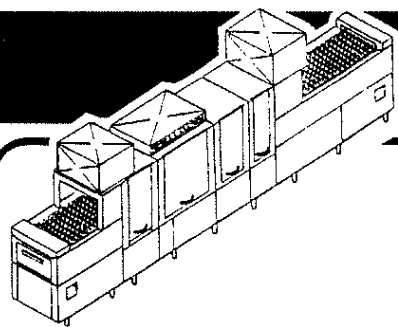
PRE RISCIAQUO

tavola n° 7

POS.	CODICE	DESCRIZIONE	DENOMINATION	DESCRIPTION	BEZEICHNUNG
1	TR3130	COLONNA PRERISCIAQUO	COLONNE DE PRÉRINÇAGE	PRERINSE PIPE	VORNASCHSPÜLUNG SAÜLE
2	TR0198	GUARNIZIONE COLONNA	JOINT COLONNE	GASKET PRERINSE PIPE	DICHTUNG SAÜLE
3	TR3131	BRACCIO PRERISCIAQUO	BRAS DE PRÉRINÇAGE	PRERINSE ARM	VORNASCHSPÜLUNG ARM
4	TR0378	SUPPORTO LAVAGGIO	SUPPORT DE LAVAGE	WASHING SUPPORT	SPÜLALTERUNG
5	TR0141	GETTO LAVAGGIO	JET DE LAVAGE	WASHING JET	WASCHDÜSE
6	TR0030	COLLARE PER GETTO	COLLIER POUR JET	COLLAR FOR JET	KRAGEN DÜSE
7	TR0201	O-RING	O-RING	O-RING	O-RING
8	907790	VITE TE M6X16	VIS	SCREW	SCHRAUBE
9	902010	DADO M6	ECROU	NUT	MUTTER
10	TR0032	COLLARE TERMINALE	COLLIER FINAL	TERMINAL COLLAR	ENDKRAGEN
11	TR2051	GUARNIZIONE TAPPO	JOINT BOUCHON	GASKET	DICHTUNG
12	TR2054	TAPPO PER BRACCIO	BOUCHON	PLUG	PROPFEN
13	TR3132	BRACCIO PRERISCIAQUO. COMPL.	BRAS PRÉRINÇAGE COMPL.	COMPL. PRERINSE ARM	KOMPL. VORNASCHSPÜLUNGARM
14	904370	O-RING	O-RING	O-RING	O-RING
15	TR1065	TIRANTE PER SUPP. LAVAGGIO	TIRANT SUPPORT DE LAVAGE	CONNECTING ROB	ZUGSTAB
16	901991	DADO AUTOBLOCCANTE M4	ECROU	NUT	MUTTER
17	TR2161	SQUADRETTA SUPP. TENDINA	EQUERRE POUR RIDEAU	BRACKET CURTAIN	WINKEL SPRITZSCHUTZ
18	TR1016	ALBERO PER TENDINA	ARBRE RIDEAU	CURTAIN ROD	HALTERUNG
19	TR0471	TENDINA	RIDEAU	CURTAIN	SPRITZSCHUTZ
20	TR1017	FILTRO	FILTRE	FILTER	FILTER
21	TR1019	PIPA CARICO VASCA	TUYAU ALIM. CUVE	TANK LOADING PIPE	TANKFÜLLUNG
22	903410	GUARNIZIONE	JOINT	GASKET	DICHTUNG
23	906015	RACCORDO	RACCORD	PIPE FITTING	ANSCHLUSSE
24	904330	O-RING	O-RING	O-RING	O-RING
25	902450	FASCETTA Ø 15-24	COLLIER	CLAMP	SHELLE
26	907350	TUBO GOMMA 22X12	TUYAU EN CAOUTCHOUC	RUBBER PIPE	GUMMISCHLAUCH
27	TR2058	CONTROFLANGIA	CONTREBRIDE	COUPLING PIPE	GEGEN FLANSCH

mod.NASTRO

SILANOS

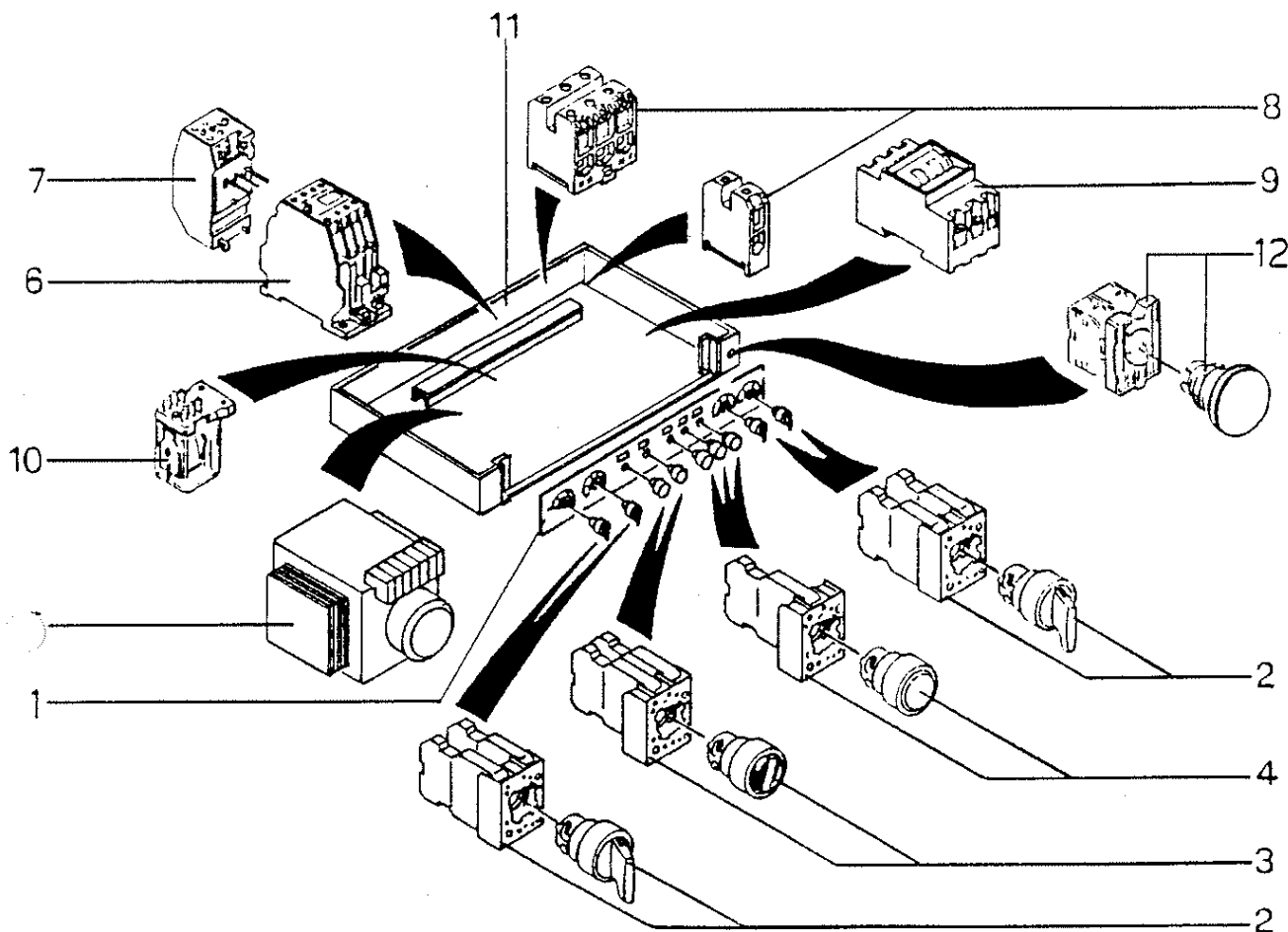


1993

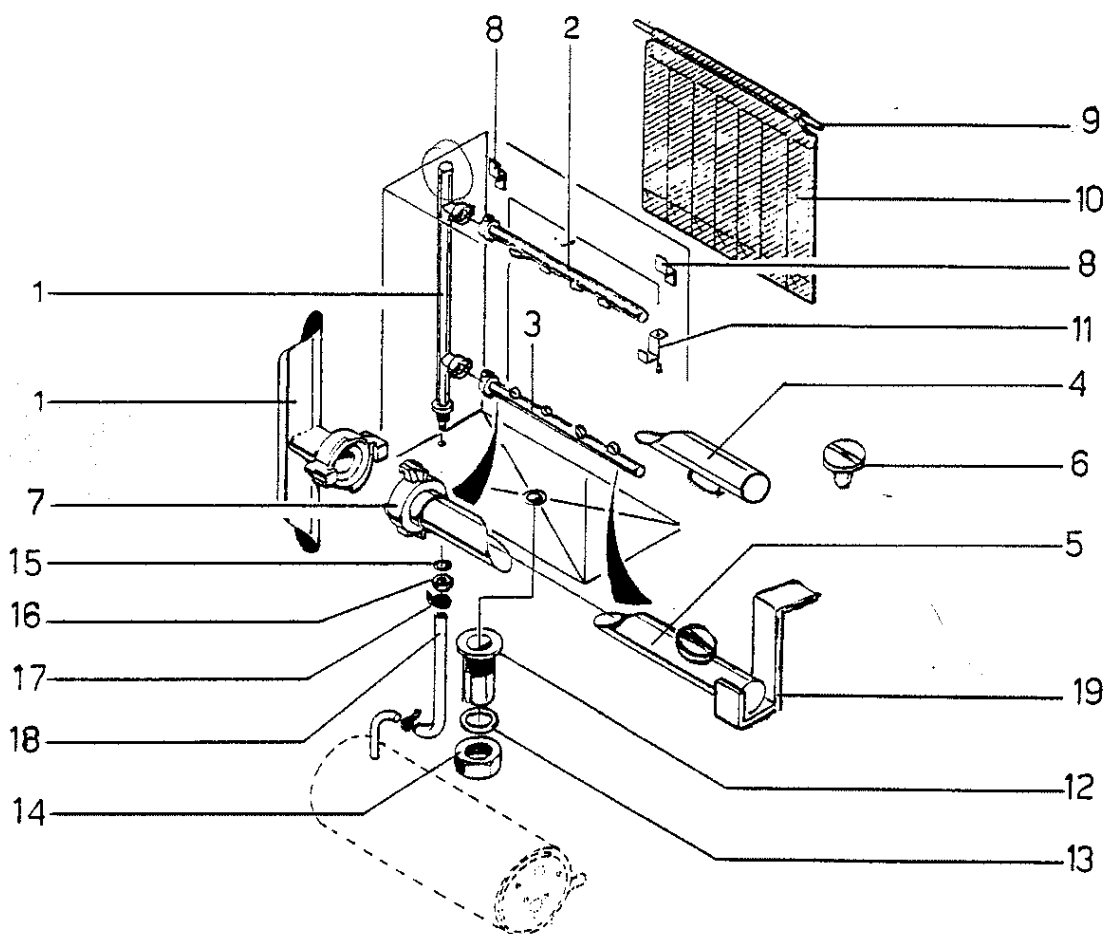
VASCA PRERISCIACQUO

tavola n' 8

POS.	CODICE	DESCRIZIONE	DENOMINATION	DESCRIPTION	BEZEICHNUNG
1	TR0060	POMPA 1,5 HP	POMPE	PUMP	PUMPE
2	TR0477	MANICOTTO 60 X 70	MANCHON	JOINT PIPE	VERBINDUNG
3	TR1025	TUBO GOMMA	TUYAU EN CAOUTCHOUC	RUBBER PIPE	GUMMISCHLAUCH
4	902490	FASCETTA Ø 58-75	COLLIER	CLAMP	SCHELLE
5	TR1038	TUBO MANDATA	TUYAU ALIMENTATION	PRESSURE PIPE	DRUCKSCHLAUCH
6	TR3100	GUIDA PER FILTRO ASPIRAZ.	RAIL POUR FILTRE ASPIRATION	TRACK FILTER	FÜHRUNG FILTER
7	TR3200	FILTRO ASPIRAZIONE POMPA	FILTRE	FILTER	FILTER
8	TR0268	TRAPPOLA ARIA	RESERVOIR A AIR	AIR TRAP	LUFTFALLE
9	903260	GUARNIZIONE GOMMA 3/8"	JOINT	GASKET	DICHTUNG
10	902100	GHIERA 3/8"	VIOLE	LOCK NUT	NUTMUTTER
11	902425	FASCETTA ELASTICA	COLLIER	CLAMP	SCHELLE
12	907271	TUBETTO PRESSOSTATO	TUYAU PRESSOSTAT	PRESSURE SWITCH PIPE	SCHLAUCH
13	905275	PRESSOSTATO	PRESSOSTAT	PRESSURE SWITCH	DRUCK WAECHTER
14	TR3220	SQUADRIETTA PRESSOSTATO	EQUERRE	BRACKET	WINKEL
15	TR0298	PORTABULBO	SIÈGE DE BULBE	SEATING BULB	KUGELSTITZ
16	903250	GUARNIZIONE 1/2" GAS	JOINT	GASKET	DICHTUNG
17	902110	GHIERA 1/2" GAS	VIOLE	LOCK NUT	NUTMUTTER
18	TR1039	TROPPO PIENO	NIVEAU	OVER FLOW	ÜBERLAUFROHR
19	905450	RACCORDO SCARICO	RACCORD DE DECHARGEMENT	OUTLET PIPE FITTING	ABLAUFANSCHLUSS
20	903880	O-RING	O-RING	O-RING	O-RING
21	902080	GHIERA	VIOLE	LOCK NUT	NUTMUTTER
22	902481	FASCETTA Ø 40-55	COLLIER	CLAMP	SCHELLE
23	TR1040	TUBO GOMMA	TUYAU EN CAOUTCHOUC	RUBBER PIPE	GUMMISCHLAUCH
24	TR0340	RESISTENZA 6000 W	RESISTANCE	HEATING ELEMENT	HEIZKÖRPER
24	TR0335	RESISTENZA 3000 W	RESISTANCE	HEATING ELEMENT	HEIZKÖRPER
25	TR1037	COPRIRESISTENZA	PROTECTION RESISTANCE	HEATING COVER	HEIZKÖRPER SCHUTZ
26	TR0190	GUARNIZIONE RESISTENZA	JOINT RESISTANCE	HEATING GASKET	HEIZKÖRPER LUFTFALLE
27	905270	PRESSOSTATO SICUREZZA	PRESSOSTAT SECURITE'	SAFETY PRESSURE SWITCH	DRUCK WAECHTER
28	905423	RACCORDO A 'Y'	RACCORD	PIPE FITTING	ANSCHLUSSE



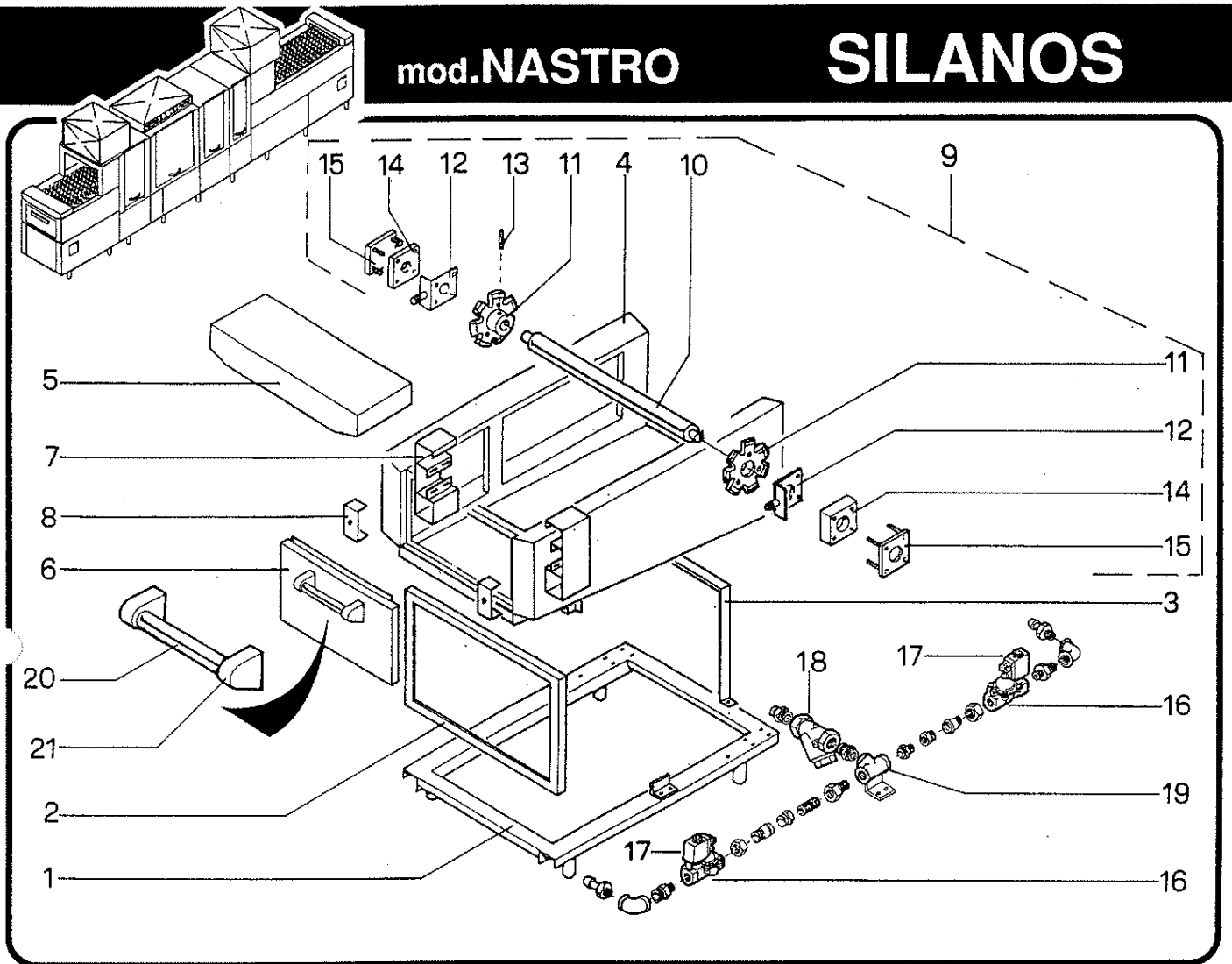
POS.	CODICE	DESCRIZIONE	DENOMINATION	DESCRIPTION	BEZEICHNUNG
1	TR1047	PANNELLO COMANDI	PANNEAU DE CONTROLE	CONTROL PANEL	SCHALTAFEL
2	TR0310	SELETTORE 0-1	SELECTEUR 0-1	SELECTOR 0-1	WAHLSCHALTER 0-1
3	TR0311	SELETTORE 0-1-2	SELECTEUR 0-1-2	SELECTOR 0-1-2	WAHLSCHALTER 0-1-2
4	TR0287	PULSANTE LUMINOSO ROSSO	BOUTON ROUGE	RED PUSH BUTTON	ROTE DRUCKTASTE
5	TR0284	PULSANTE LUMINOSO VERDE	BOUTON VERTE	GREEN PUSH BUTTON	GRUNE DRUCKTASTE
6	TR0230	LAMPADA SPIA GIALLA	LAMPE JOUNE	YELLOW LIGHT	GELB LEUCHT LAMPE
7	TR0232	LAMPADA SPIA VERDE	LAMPE VERTE	GREEN LIGHT	GRUNE LEUCHT LAMPE
8	TR0231	LAMPADA SPIA ROSSA	LAMPE ROUGE	RED LIGHT	ROTE LEUCHT LAMPE
9	TR0422	TRASFORMATORE 350VA	TRANSFORMATEUR 350VA	TRANSFORMER 350 VA	TRANSFORMATOR 350VA
10	TR0421	TRASFORMATORE 450VA	TRANSFORMATEUR 450VA	TRANSFORMER 450VA	TRANSFORMATOR 450VA
11	TR0423	TRASFORMATORE 630VA	TRANSFORMATEUR 630VA	TRANSFORMER 630VA	TRANSFORMATOR 630VA
12	TR0370	TELERUTTORE 9A	TELERUPTEUR 9A	CONTACTOR 9A	SCHUTZ 9A
13	TR0381	TELERUTTORE 18A	TELERUPTEUR 18A	CONTACTOR 18A	SCHUTZ 18A
14	TR0380	TELERUTTORE 25A	TELERUPTEUR 25A	CONTACTOR 25A	SCHUTZ 25A
15	TR0386	TELERUTTORE 32A	TELERUPTEUR 32A	CONTACTOR 32A	SCHUTZ 32A
16	TR0385	TELERUTTORE 40A	TELERUPTEUR 40A	CONTACTOR 40A	SCHUTZ 40A
17	TR0387	TELERUTTORE 50A	TELERUPTEUR 50A	CONTACTOR 50A	SCHUTZ 50A
18	TR0390	TERMICA 0.6-1A	TERMIQUE 0.6-1A	OVERLOAD RELAY 0.6-1A	THERMOAUSLOSER 0.6-1A
19	TR0394	TERMICA 1.2-2A	TERMIQUE 1.2-2A	OVERLOAD RELAY 1.2-2A	THERMOAUSLOSER 1.2-2A
20	TR0397	TERMICA 1.6-2.5A	TERMIQUE 1.6-2.5A	OVERLOAD RELAY 1.6-2.5A	THERMOAUSLOSER 1.6-2.5A
21	TR0393	TERMICA 2.5-4A	TERMIQUE 2.5-4A	OVERLOAD RELAY 2.5-4A	THERMOAUSLOSER 2.5-4A
22	TR0396	TERMICA 5.5-8A	TERMIQUE 5.5-8A	OVERLOAD RELAY 5.5-8A	THERMOAUSLOSER 5.5-8A
23	TR0395	TERMICA 7-10A	TERMIQUE 7-10A	OVERLOAD RELAY 7-10A	THERMOAUSLOSER 7-10A
24	TR0391	TERMICA 9-13A	TERMIQUE 9-13A	OVERLOAD RELAY 9-13A	THERMOAUSLOSER 9-13A
25	TR0223	MORSETTI	BORNES	TERMINAL BLOCK	KLEMMLEISTE
26	TR0221	INTERRUTTORE 1P 16A	INTERRUPTEUR 1P 16A	MAIN SWITCH 1P 16A	SCHALTER 1P 16A
27	TR0222	INTERRUTTORE 1P 20A	INTERRUPTEUR 1P 20A	MAIN SWITCH 1P 20A	SCHALTER 1P 20A
28	TR0222	INTERRUTTORE 2P 4A	INTERRUPTEUR 2P 4A	MAIN SWITCH 2P 4A	SCHALTER 2P 4A
29	TR0211	INTERRUTTORE 3P 10A	INTERRUPTEUR 3P 10A	MAIN SWITCH 3P 10A	SCHALTER 3P 10A
30	TR0212	INTERRUTTORE 3P 20A	INTERRUPTEUR 3P 20A	MAIN SWITCH 3P 20A	SCHALTER 3P 20A
31	TR0213	INTERRUTTORE 3P 32A	INTERRUPTEUR 3P 32A	MAIN SWITCH 3P 32A	SCHALTER 3P 32A
32	TR0218	INTERRUTTORE 3P 63A	INTERRUPTEUR 3P 63A	MAIN SWITCH 3P 63A	SCHALTER 3P 63A
33	TR0300	RELE 24V	RELAIS 24V	RELAY 24V	RELAIS 24V
34	TR3000	CASSETTA ELETT. N3500/N5000	BOITE ELECTRIQUE N3500/N5000	CABINET N3500/N5000	SCHALTKASTEN N3500/N5000
35	TR3001	CASSETTA ELETTRICA N7500	BOITE ELECTRIQUE N7500	CABINET N7500	SCHALTKASTEN N7500
36	TR0303	PULSANTE ARRESTO GENERALE	BOUTON D'ARRET GENERAL	MAIN STOP PUSH BUTTON	NOTSTOPPASTE



POS.	CODICE	DESCRIZIONE	DENOMINAZIONE	DESCRIPTION	BEZEICHNUNG
1	TR1041	COLONNA RISCIAQUO	COLONNE RINÇAGE	RINSE PIPE	NACHSPÜLSTEBLEITUNG
2	TR0001	BRACCIO RISCIAQUO SUP.	BRAS RINÇAGE SUP.	RINSE ARM	NACHSPÜLARM
3	TR0002	BRACCIO RISCIAQUO INF.	BRAS RINÇAGE INF.	RINSE ARM	NACHSPÜLARM
4	TR0006	BRACCIO RISC. SUP. COMPL.	BRAS RINÇAGE SUP.	RINSE ARM	NACHSPÜLARM
5	TR0007	BRACCIO RISC. INF. COMPL.	BRAS RINÇAGE INF.	RINSE ARM	NACHSPÜLARM
6	TR0014	GETTO RISCIAQUO	JET DE RINÇAGE	RINSE JET	SPÜLDÜSE
7	908096	RACCORDO RAPIDO	ATTELAGE	QUICK COUPLER	SCHNELLVERSCHLUSS
8	TR2162	SQUADRETTA SUPP. TENDINA	EQUERRE POR RIDEAU	BRACKET CURTAIN	WINKEL SPRITZSCHUTZ
9	TR1018	ALBERO PER TENDINA	ARBRE RIDEAU	CURTAIN ROD	HALTERUNG
10	TR0471	TENDINA	RIDEAU	CURTAIN	SPRITZSCHUTZ
11	TR0604	GANCIO SOST. RISC. SUP.	CROCHET	LOWER HOOK	AUFHÄNGUNG
12	905450	RACCORDO SCARICO	RACCORD DE DECHARGEMENT	OUTLET PIPE FITTING	ABLAUFANSCHLUSS
13	904380	O-RING	O-RING	O-RING	O-RING
14	902080	GHIERA 1 1/4 "	VIROLE	LOOK NUT	NUTMUTTER
15	904340	O-RING	O-RING	O-RING	O-RING
16	902130	GHIERA 1"	VIROLE	LOOK NUT	NUTMUTTER
17	902450	FASCETTA Ø 15+24	COLLIER	CLAMP	SHELLE
18	907350	TUBO GOMMA 12 X 22	TUYAU EN CAOUTCHOUC	RUBBER PIPE	GUMMSCHLAUCH
19	TR0611	GANCIO SOST. RISC. INF.	CROCHET	LOWER HOOK	AUFHÄNGUNG

mod.NASTRO

SILANOS



1993

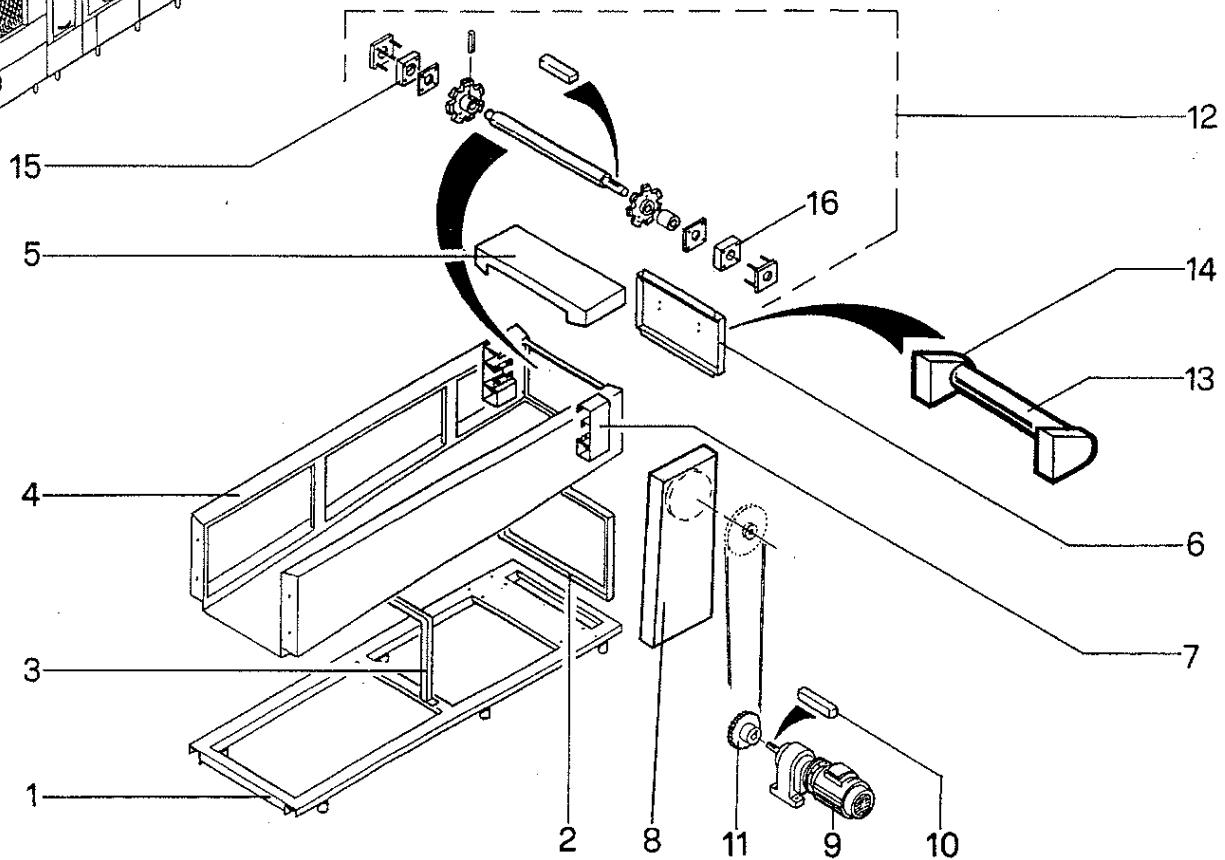
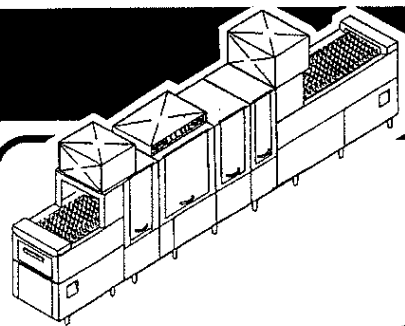
MENSOLA ENTRATA

tavola n° 10

POS.	CODICE	DESCRIZIONE	DENOMINATION	DESCRIPTION	BEZEICHNUNG
1	TR3020	TELAIO MENSOLA ENTRATA	CHASSIS TABLE ENTRÉE	FRAME LOADING TABLE	KONSOLRAHMEN
2	TR3150	SUPPORTO TESTATA MENSOLA	SUPPORT BOUT TABLE	TABLE SUPPORT	KONSOL HALTERUNG
3	TR3151	SUPPORTO MENSOLA ENTRATA	SUPPORT TABLE ENTRÉE	LOADING TABLE SUPPORT	HALTERUNG EINTRIT KONSOL
4	TR3170	MENSOLA ENTRATA 1200	TABLE ENTRÉE	LOADING TABLE	EINTRIT KONSOL
5	TR1005	PIANO APPOGGIO MENSOLA	PLAN D'APPUI POUR TABLE	FACE TABLE	AUFLAGEEBENE KONSOL
6	TR1001	PORTINA PER MENSOLA	PORTE	DOOR	TÜR
7	TR3180	STAFFA SUPPORTO ALBERO	EQUERRE PUOR PALIER ARBRE	BRACKET SUPPORT SHAFT	WINKEL HALTERUNG
8	TR3182	STAFFA BLOCCAGGIO	EQUERRE DE BLOCAGE	BLOCK-BRACKET	SPANNEISEN
9	TR1033	ALBERO CONDOTTO COMPL.	ARBRE CONDUCTEUR	DRIVING SHAFT	TREIBENDE WELLE
10	TR1032	ALBERO FOLLE (CONDOTTO)	ARBRE	SHAFT	WELLE
11	TR0280	RUOTA TRASCINAMENTO	ROUE	SPROCKET	ANTRIEBSRAD
12	TR1004	PIASTRA TENDINASTRO	PLAQUE	PLATE	PLATTE
13	TR0367	SPINA ELASTICA	GOUILLE	ROLL PIN	ELASTISCHER STIFT
14	TR0375	SUPPORTO ALBERO	SUPPORT ARBRE	DRIVE HOUSING	HALTERUNG
15	TR1006	CONTRO PIASTRA	CONTRE PLAQUE	AGAINST PLATE	GEGENPLATTE
16	TR0090	ELETTROVALVOLA	ELECTROVANNE	ELECTRIC VALVE	ELEKTROVENTIL
17	TR0020	BOBINA	BOBINE	COIL	SPULE
18	TR0121	FILTRO	FILTRE	FILTER	FILTER
19	TR0289	RACCORDO PER FILTRO	RACCORD POUR FILTRE	NIPPLE FILTER	ROHRVERBINDUNG FILTER
20	TR1022	TUBO PER MANIGLIA	POIGNEE'	HANDLE	HANDGRIFF
21	TR1023	SUPPORTO MANIGLIA	SUPPORT POUR POIGNEE'	HANDLE SUPPORT	TÜRGRIFHALTERUNG

mod.NASTRO

SILANOS



1993

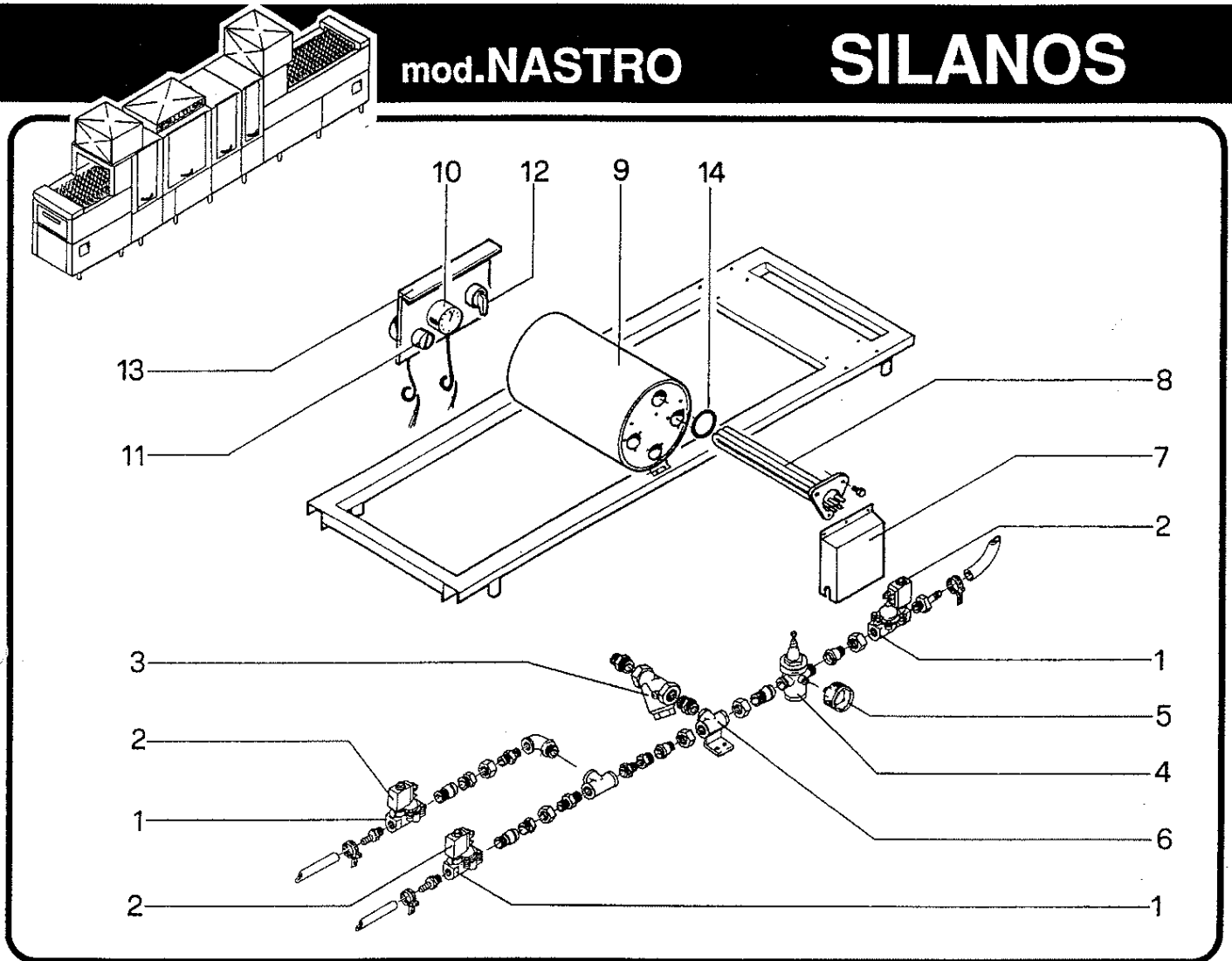
MENSOLA USCITA

tavola n° 11

POS.	CODICE	DESCRIZIONE	DENOMINATION	DESCRIPTION	BEZEICHNUNG
1	TR3021	TELAIO MENSOLA USCITA 1800	CHASSIS TABLE SORTIE	FRAME UNLOADING TABLE	TRAGRAHMEN
1	TR3022	TELAIO MENSOLA USCITA 2200	CHASSIS TABLE SORTIE	FRAME UNLOADING TABLE	TRAGRAHMEN
2	TR3150	SUPPORTTO TESTATA MENSOLA	SUPPORT BOUT TABLE	TABLE SUPPORT	KONSOL HALTERUNG
3	TR3152	SUPPORTTO MENSOLA USCITA	SUPPORT TABLE SORTIE	UNLOADING TABLE SUPPORT	AUSTRITKONSOLHALTERUNG
4	TR3171	MENSOLA USCITA 1800	TABLE SORTIE 1800	UNLOADING TABLE 1800	AUSTRITKONSOLE 1800
4	TR3172	MENSOLA USCITA 2200	TABLE SORTIE 2200	UNLOADING TABLE 2200	AUSTRITKONSOLE 2200
5	TR1005	PIANO APPOGGIO MENSOLA	PLAN D'APPUI POUR TABLE	FACE TABLE	AUFLAGEEBENE KONSOL
6	TR1001	PORTINA PER MENSOLA	PORTE	DOOR	TÜR
7	TR3181	STAFFA SUPPORTO ALBERO	EQUERRE PUOR PALIER ARBRE	BRACHET SUPPORT SHAFT	WINKEL HALTERUNG
8	TR1058	CARTER COPRICATENA	CARTER	CHAIN COVER	KETTENABDECKUNG
9	TRO260	MOTORIDUTTORE 380/50HZ	MOTORÉDUCTEUR	SPEED REDUCER	GETRIEBEMOTOR
9	TRO259	MOTORIDUTTORE 220/50HZ	MOTORÉDUCTEUR	SPEED REDUCER	GETRIEBEMOTOR
10	TR1045	CHIAVETTA	GOUPILE	KEY	PASSFEDER
11	TRO276	PIGNONE Z=21	PIGNON	SPROCKET	RITZEL
11	TRO272	PIGNONE Z=30	PIGNON	SPROCKET	RITZEL
11	TRO277	PIGNONE Z=35	PIGNON	SPROCKET	RITZEL
12	TR1002	ALBERO CONDUTTORE	ARBRE CONDUIT	DRIVEN SHAFT	ANGETRIEBEN WELLE
13	TR1022	TUBO MANIGLIA	POIGNEE	HANDLE	HANDGRIF
14	TR1023	SUPPORTO MANIGLIA	SUPPORT POUR POIGNEE	HANDLE SUPPORT	TÜRGRIFHALTERUNG
15	TRO375	SUPPORTO ALBERO	SUPPORT ARBRE	DRIVE HOUSING	HALTERUNG
16	TRO376	SUPPORTO ALBERO	SUPPORT ARBRE	DRIVE HOUSING	HALTERUNG
* 9	TRO263	MOTORIDUTTORE 415/50HZ	MOTORÉDUCTEUR	SPEED REDUCER	GETRIEBEMOTOR

mod.NASTRO

SILANOS



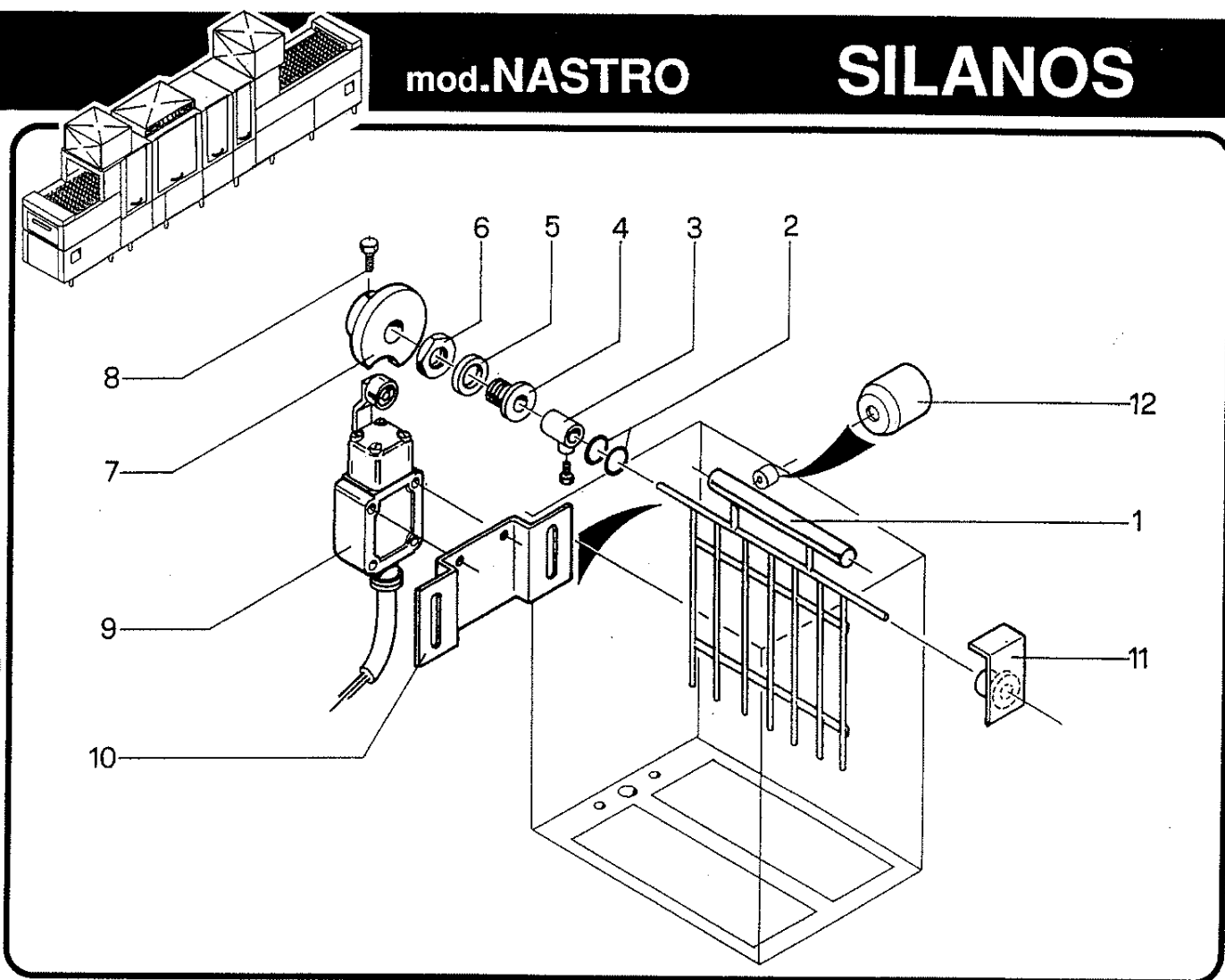
1993

tavola n° 12

POS.	CODICE	DESCRIZIONE	DENOMINATION	DESCRIPTION	BEZEICHNUNG
1	TR0090	ELETTROVALVOLA	ELECTROVANNE	ELECTRIC VALVE	ELEKTROVENTIL
2	TR0020	BOBINA	BOBINE	COIL	SPILE
3	TR0121	FILTRO	FILTRE	FILTRE	FILTER
4	TR0364	RIDUTTORE DI PRESSIONE	REDUCTEUR	PRESSURE REDUCER	DRUCKMINDERER
5	TR0244	MANOMETRO PER RIDUTTORE	MANOMETRE REDUCTEUR	PRESSURE GANGE	DRUCKMESSER
6	TR0289	RACCORDO PER FILTRO	RACCORD POUR FILTRE	NIPPLE FILTER	ROHRVERBINDUNG FILTER
7	TR0068	COPRIRESISTENZA BOILER	PROTECTION RESISTANCE	HEATING COVER	HEIZKÖRPER SCHUTZ
8	TR0320	RESISTENZA 9000 W	RESISTANCE	HEATING ELEMENT	HEIZKÖRPER
8	905580	RESISTENZA 10.000 W	RESISTANCE	HEATING ELEMENT	HEIZKÖRPER
9	TR0029	BOILER	SURCHAUFFEUR	BOILER	DURCHLAUFERHITZER
10	TR0440	TERMOSTATO 30° - 90°	THERMOSTAT	THERMOSTAT	THERMOSTAT
11	TR0430	TERMOSTATO SICUREZZA	THERMOSTAT	THERMOSTAT	THERMOSTAT
12	TR0310	INTERRUTTORE CARICO BOILER	INTERRUPTEUR BOILER	SWITCH BOILER	DURCHLAUF. SCHALTER
13	TR2171	SQUADRETTA TERMOSTATO	EQUEPPE THERMOSTAT	THERMOSTAT BRACKET	WINKEL THERMOSTAT
14	TR0200	GUARNIZIONE RESISTENZA	JOINT RESISTANCE	HEATING GASKET	HEIZKÖRPER LUFTFALLE

mod.NASTRO

SILANOS



1993

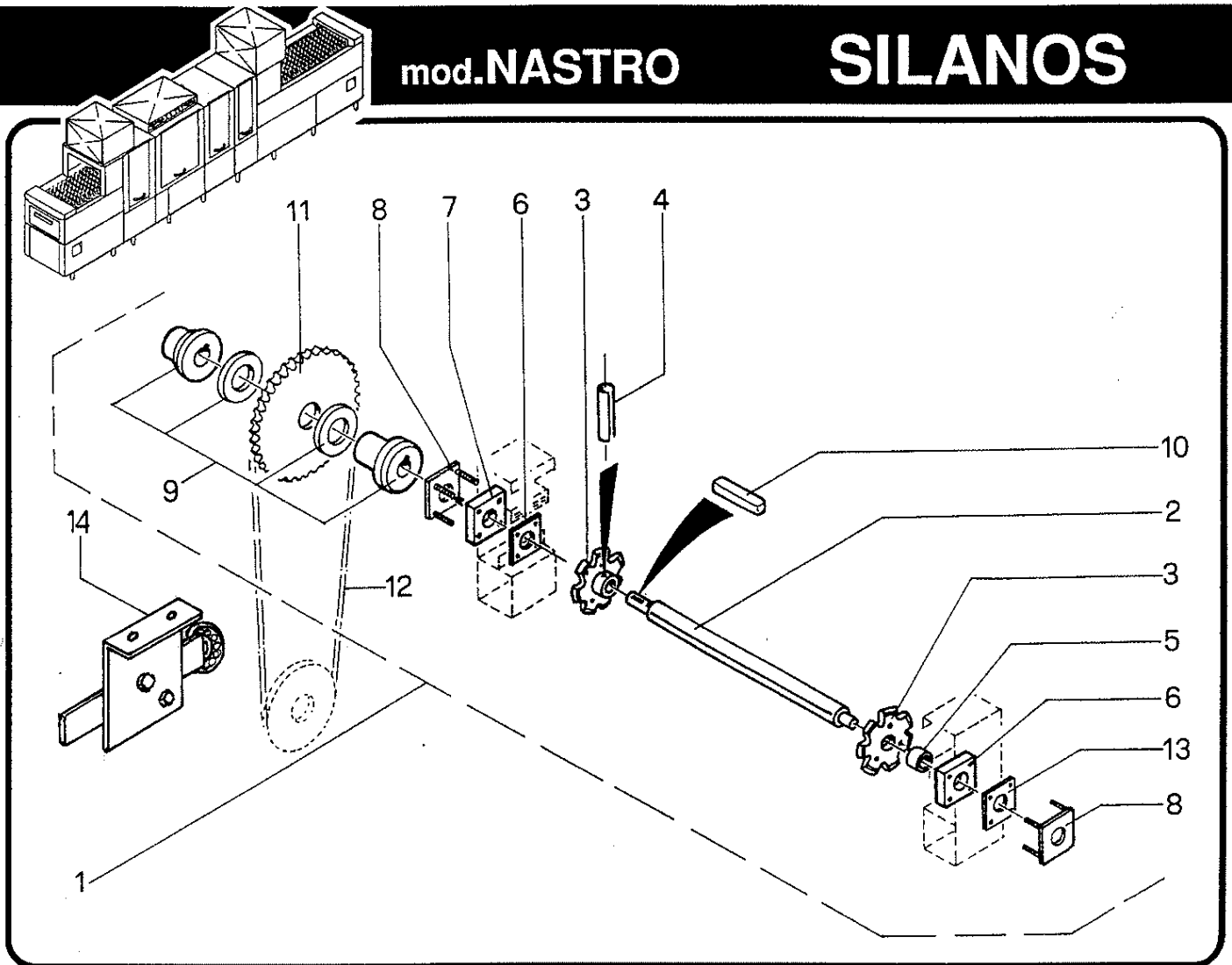
ECONOMIZZATORE RISCIAQUO

tavola n° 13

POS.	CODICE	DESCRIZIONE	DENOMINATION	DESCRIPTION	BEZEICHNUNG
1	TR1059	ECONOMIZZATORE	ECONOMISUER	ECOMISER	SPARSCHALTER
2	904430	O-RING	O-RING	O-RING	O-RING
3	TR1060	BUSSOLA FERMO ECONOM.	DOVILLE ARRÉT	STOP BEARING	ANSCHLAG BÜCHSE
4	TR1061	RACCORDO	RACCORD	PIPE FITTING	ANSCHLUSSE
5	904991	GUARNIZIONE	JOINT	GASKET	DICHTUNG
6	902100	GHIERA	VIOLE	LOOK NUT	NUTMUTTER
7	TR1062	ECCENTRICO	CAME	CAM	EXCENTER
8	907800	VITE TE M4 X 25	VIS	SCREW	SCHRAUBE
9	TR0130	MICROINTERRUTTORE	MICROINTERRUPTEUR	MICRO SWITCH	MICRO SCHALTER
10	TR3221	SQUADRETTA	EQUERRE	BRACKET	WINKEL
11	TR3222	SUPPORTO	SUPPORT	SUPPORT	SUPPORT
12	904960	PIEDINO AMMORTIZZATORE	PIED	FEET	SOCKET

mod.NASTRO

SILANOS



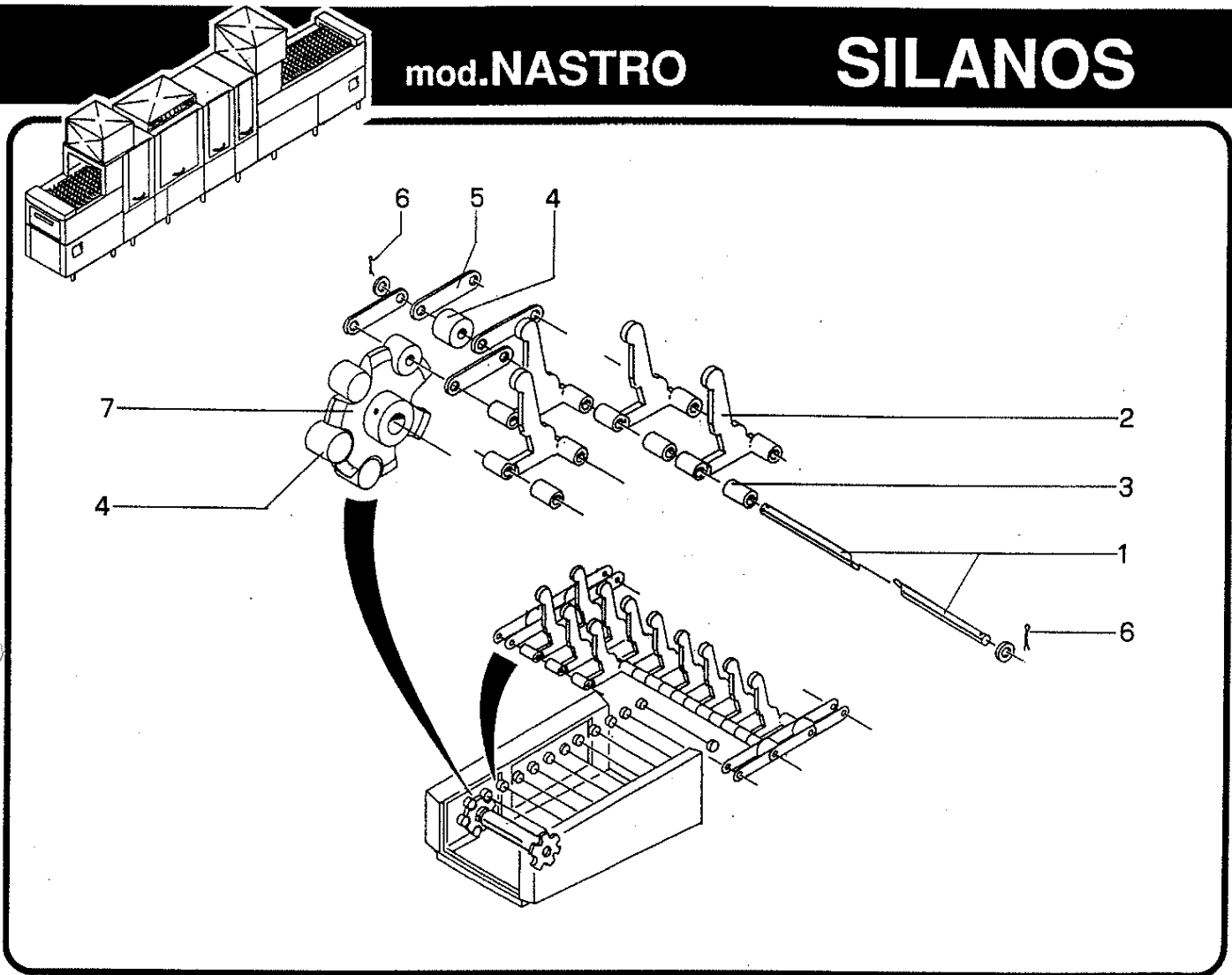
1993

tavola n° 14

POS.	CODICE	DESCRIZIONE	DENOMINATION	DESCRIPTION	BEZEICHNUNG
1	TR1033	ALBERO CONDOTTO	ARBRE CONDUIT	DRIVEN SHAFT	ANGETRIEBEN WELLE
2	TR1032	ALBERO	ARBRE	SHAFT	WELLE
3	TRO280	RUOTA TRASCINAMENTO	ROVE	SPROCKET	ANTRIEBSRAD
4	TRO367	SPINA ELASTICA 6 X 60	GOUPILLE	ROLL PIN	ELASTISCHER STIFT
5	TR1043	DISTANZIALE	ENTRETOISE	SPACER	ZWISCHENSTUCK
6	TR1044	PIASTRA	PLAQUE	PLATE	PLATTE
7	TRO376	SUPPORTO ALBERO	SUPPORT ARBRE	DRIVE HOUSING	HALTERUNG
8	TR1006	CONTRO PIASTRA	CONTRE PLAQUE	AGAINST PLATE	GEGENPLATTE
9	TRO239	LIMITATORE DI COPPIA	LIMITEUR DE COUPLE	CLUTCH	KUPPLUNG
10	TR1045	CHIAVETTA 6X6X25	GOUPILLE	KEY	PASSFEDER
11	TRO046	CORONA 1/2 Z=40	COURONNE	SPROCKET	ZAHNRAD
11	TRO052	CORONA 1/2 Z=50	COURONNE	SPROCKET	ZAHNRAD
11	TRO053	CORONA 1/2 Z=60	COURONNE	SPROCKET	ZAHNRAD
12	TR1046	CATENA 1/2	CHAÎNE	CHAIN	KETTE
13	TRO375	SUPPORTO ALBERO	SUPPORT ARBRE	DRIVE HOUSING	HALTERUNG
14	TRO614	TENDICATENA	TENDEUR DE CHAÎNE	CONVEYOR-BELT STRECHER	BANDSPANNER

mod.NASTRO

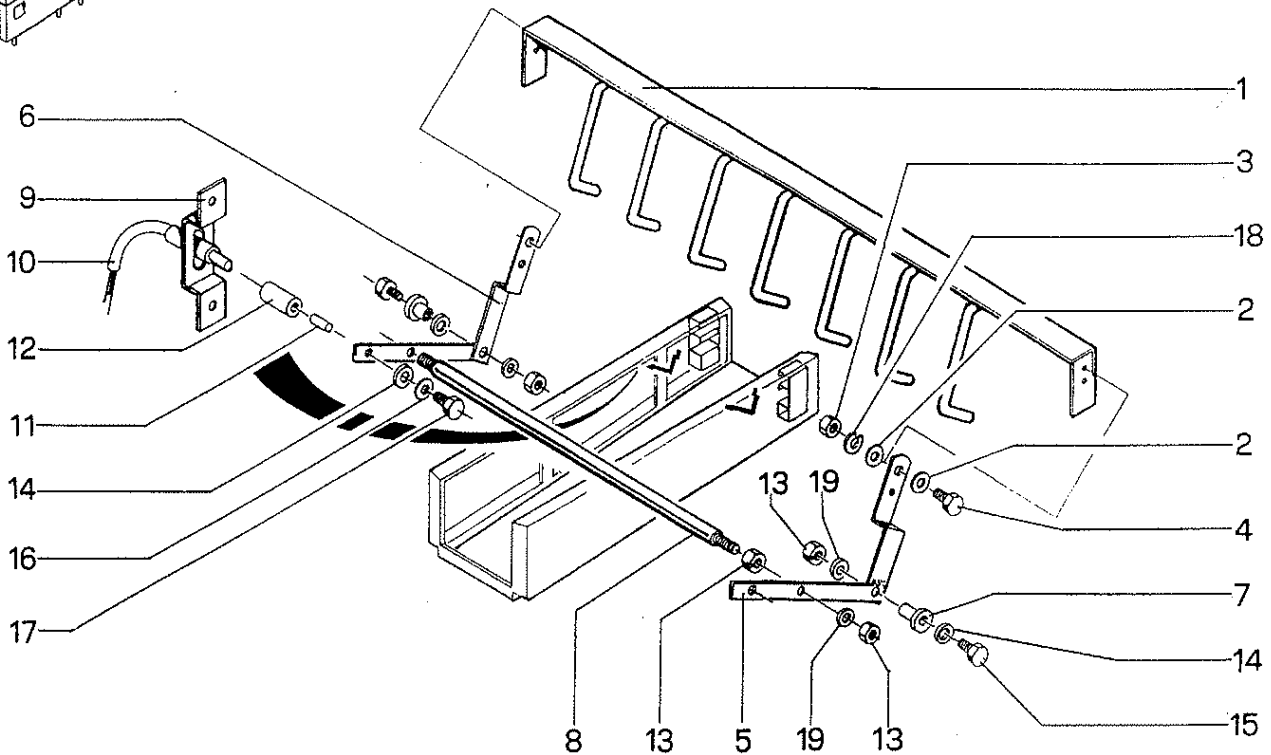
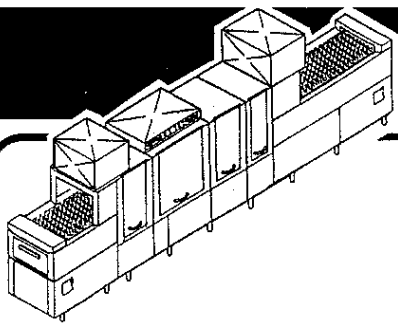
SILANOS



1993

tavola n° 15

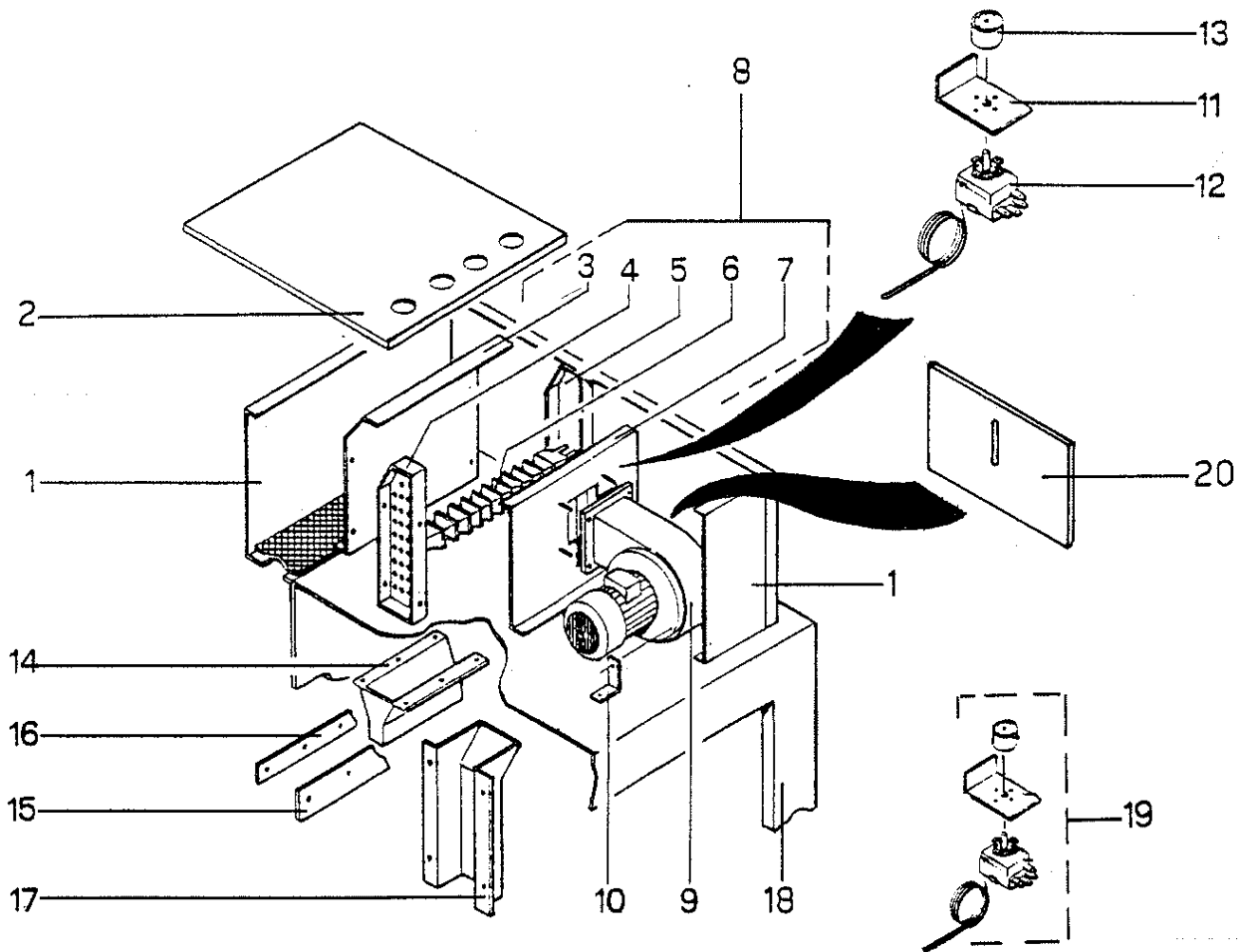
POS.	CODICE	DESCRIZIONE	DENOMINATION	DESCRIPTION	BEZEICHNUNG
1	TR1048	ALBERO PER NASTRO	AXE	SHAFT	WELLE
2	TR0065	SPUNTONE NASTRO	DOIGT DU TAPIS	FINGER CONVEYOR	FINGERBAND
3	TR0066	DISTANZIALE CATENA	ENTRETOISE	SPACER	ZWISCHENSTUCK
4	TR0355	RUOTA PER CATENA NASTRO	ROUE DU TAPIS	WHEEL CONVEYOR	LAUFRADBAND
5	TR1049	PIASTRINA CATENA	PLAQUETTE	LINK	GLIED
6	TR0047	COPIGLIA	GOUPILLE	COTTER PIN	SPLINT
7	TR0260	RUOTA TRASCINAMENTO	ROUE	SPROCKET	ANTRIEBSRAD



1993

tavola n° 16

POS.	CODICE	DESCRIZIONE	DENOMINATION	DESCRIPTION	BEZEICHNUNG
1	TR3190	FINECORSA	FIN DE COURSE	LIMIT SWITCH	ENDAUSCHALTER
2	906020	RONDELLA	RONDELLE	WASHER	UNTERLEGSCHIBE
3	902010	DADO M6	ECROU	NUT	MUTTER
4	907782	VITE T.E. M6 X 16	VIS	SCREW	SCHRAUBE
5	TR1053	BRACCIO FINECORSA DX	BRAS FIN DE COURSE DX	SHOULDER RIGHT	BERGRENZUNG RECHTS
6	TR1052	BRACCIO FINECORSA SX	BRAS FIN DE COURSE SX	SHOULDER LEFT	BERGRENZUNG LINKS
7	TR1054	BUSSOLA	DOVILLE	BEARING	BÜCHSE
8	TR1051	TIRANTE	TIRANT	SCREW STAY	ZUGSTANGE
9	TR3160	SQUADRETTA PER REED	EQUERRE	BRACKET	WINKEL
10	TR0309	REED	REED	REED	REED
11	TR0249	MAGNETE	MAGNÉTO	MAGNET	MAGNET
12	TR1057	CUSTODIA PER MAGNETE	PROTECTION MAGNÉTO	COVER MAGNET	MAGNETSCHUTZ
13	902020	DADO M8	ECROU	NUT	MUTTER
14	906040	RONDELLA	RONDELLE	WASHER	UNTERLEGSCHIBE
15	907825	VITE T.E. M8 X 25	VIS	SCREW	SCHRAUBE
16	905941	GROWER Ø10	RONDELLE	WASHER	FEDERSCHIBE
17	TR2038	VITE T.E. M10 X 35	VIS	SCREW	SCHRAUBE
18	905930	GROWER Ø6	RONDELLE	WASHER	FEDERSCHIBE
19	905940	GROWER Ø8	RONDELLE	WASHER	FEDERSCHIBE



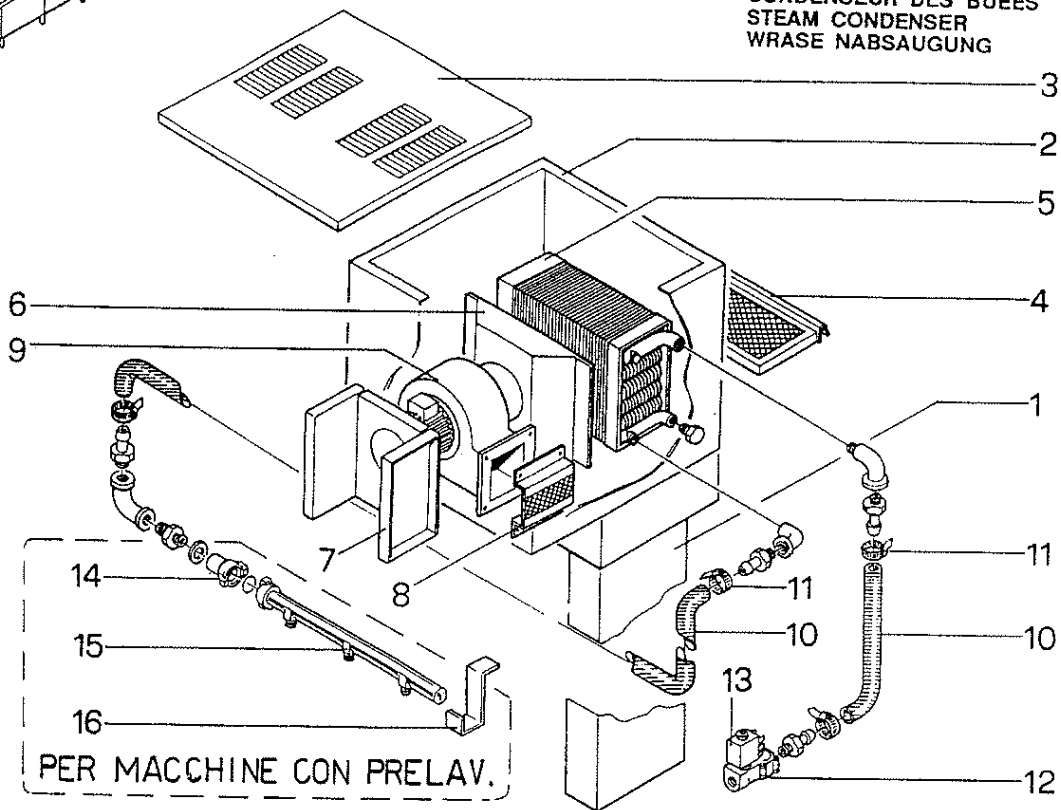
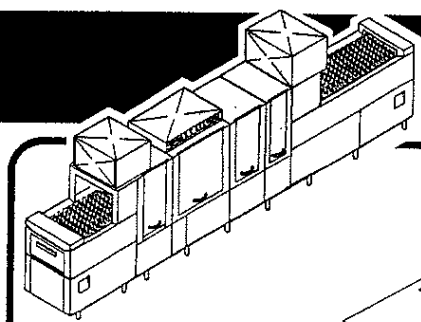
ASCIUGATURA
SECHAGE
BLOWER DRYER
HEISSLUFTT ROCKNUNG

POS.	CODICE	DESCRIZIONE	DENOMINATION	DESCRIPTION	BEZEICHNUNG
1	TR2136	CASSONE AS	CAISSON	HOUSING	VERKLEIDUNG
2	TR2137	COPERCHIO	COUVERCLE	COVER	DEKEL
3	TR2140	PANNELLO POSTERIORE	PANNEAU POSTERIEUR	BACK PANEL	NACH TAPPEL
4	TR2143	SPALLA PORTARESISTENZA DX	SUPPORT PORTE RESISTANCE	HEATER BATTERY SUPPORT	HEIZKÖRPERTRÄGER HALTER
4	TR2149	SPALLA PORTARESIS. DX 18KW	SUPPORT PORTE RESISTANCE	HEATER BATTERY SUPPORT	HEIZKÖRPERTRÄGER HALTER
5	TR2142	SPALLA PORTARESISTENZA SX	SUPPORT PORTE RESISTANCE	HEATER BATTERY SUPPORT	HEIZKÖRPERTRÄGER HALTER
6	TR0360	RESISTENZA 1500 W	RESISTANCE	HEATING ELEMENT	HEIZKÖRPER
6	TR0359	RESISTENZA 2000 W	RESISTANCE	HEATING ELEMENT	HEIZKÖRPER
7	TR2138	SUPPORTO VENTILATORE	SUPPORT VENTILATEUR	FAN SUPPORT	VENTILATOR SUPPORT
7	TR2150	SUPPORTO VENTILAT. 1,5 HP	SUPPORT VENTILATEUR	FAN SUPPORT	VENTILATOR SUPPORT
8	TR2165	BATTERIA ASCIUG. 9 W	BATTERIE DE SECHAGE	DRYER BATTERY	TROCKENBATTERIE
8	TR2166	BATTERIA ASCIUG. 12 W	BATTERIE DE SECHAGE	DRYER BATTERY	TROCKENBATTERIE
8	TR2160	BATTERIA ASCIUG. 18 W	BATTERIE DE SECHAGE	DRYER BATTERY	TROCKENBATTERIE
9	TR0481	VENTILATORE 0,75 HP	VENTILATEUR	FAN	VENTILATOR
9	TR0480	VENTILATORE 1 HP	VENTILATEUR	FAN	VENTILATOR
9	TR0483	VENTILATORE 1,5 HP	VENTILATEUR	FAN	VENTILATOR
10	TR2141	SQUADRETTA VENTILATORE	EQUERRE VENTILATEUR	FAN BRACKET	VENTILATOR WINKEL
11	TR2144	SQUADRETTA TERMOSTATO	EQUERRE THERMOSTAT	THERMOSTAT BRACKET	WINKEL THERMOSTAT
12	907100	TERMOSTATO	THERMOSTAT	THERMOSTAT	THERMOSTAT
13	TR3982	MANOPOLA	BOUTON	KNOB	KNOFF
14	TR2146	CONVOGLIATORE	CONVOYER	CHANNEL	ABLEITBLECH
15	TR0315	DEFLETTORE GOMMA	DEFLECTEUR EN CAOUTCHOU	RUBBER CHANNEL	GUMMI ABLEITBLECH
16	TR2147	PIASTRA FISSAGGIO	PLAQUETTE	FIXING PLATE	HALTEPLATTE
17	TR2145	DEFLETTORE ASPRAZIONE	DEFLECTEUR ASPIRATION	SUCTION DEFLECTOR	UMLENKBLECK
18	TR2148	CAPOTE ASCIUGATURA	CAPOTE TUNNEL SECHAGE	DRYING TUNNEL	TROCKENZONE
19	TR0441	TERMOSTATO SICUREZZA	THERMOSTAT DE SECURITE	SAFETY THERMOSTAT	THERMOSTAT
20	TR2169	COPERTURA VENTILATORE	COUVERTURE POUR VENTILAT.	COVERING FAN	DECKUNG VENTILATOR

mod.NASTRO

SILANOS

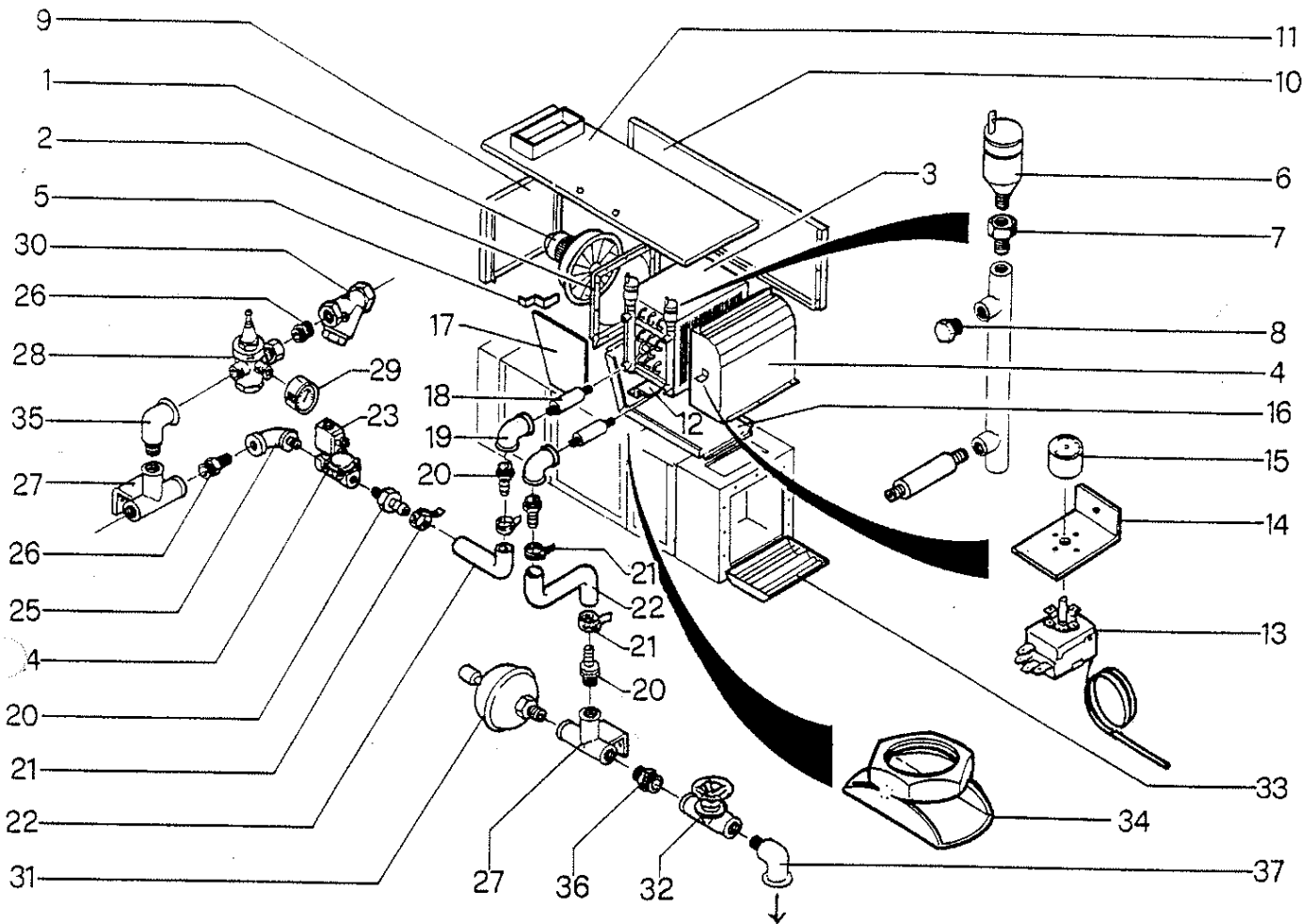
CONDENSA VAPORI
CONDENSEUR DES BUEES
STEAM CONDENSER
WRASE NABSAUGUNG



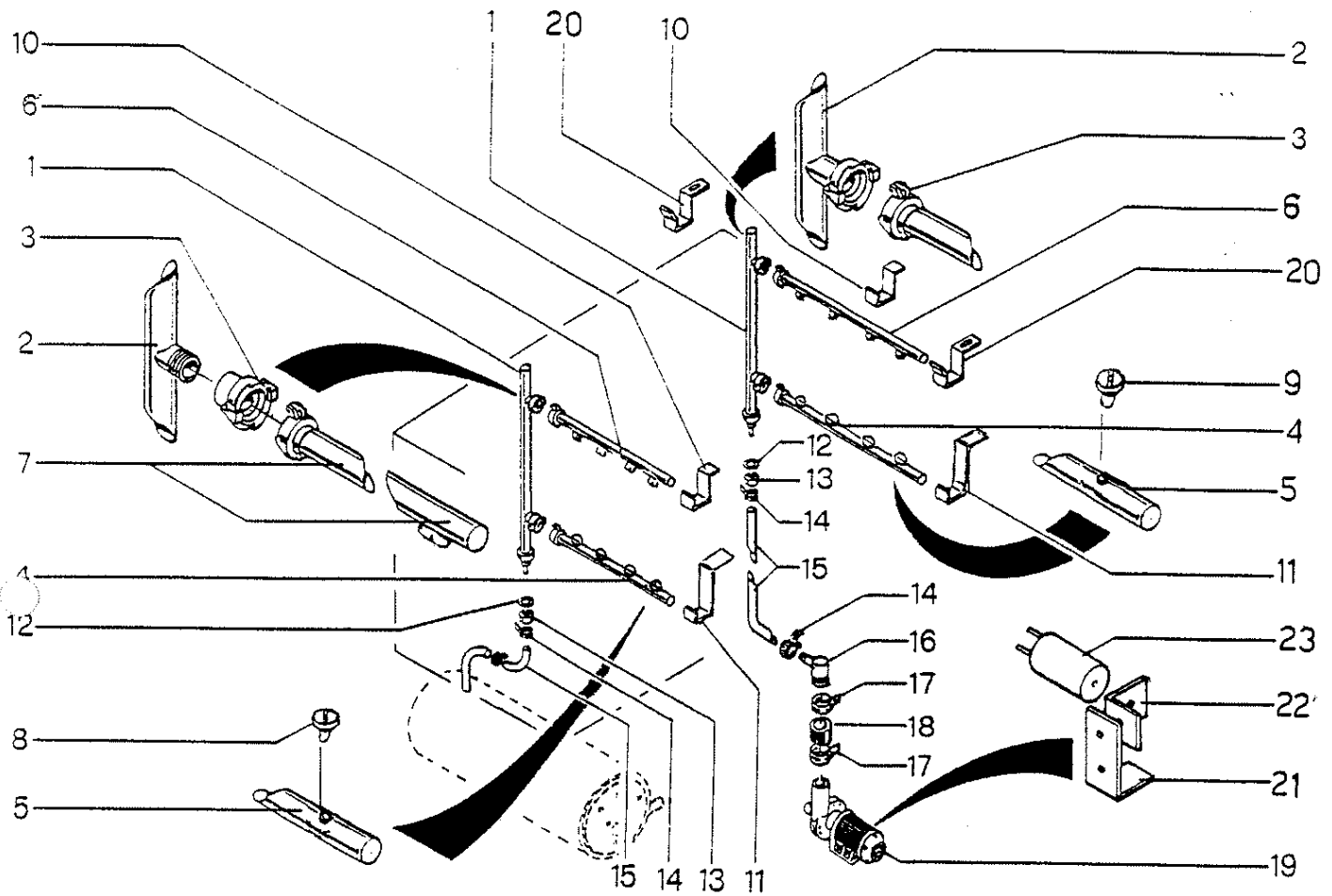
1993

tavola n° 19

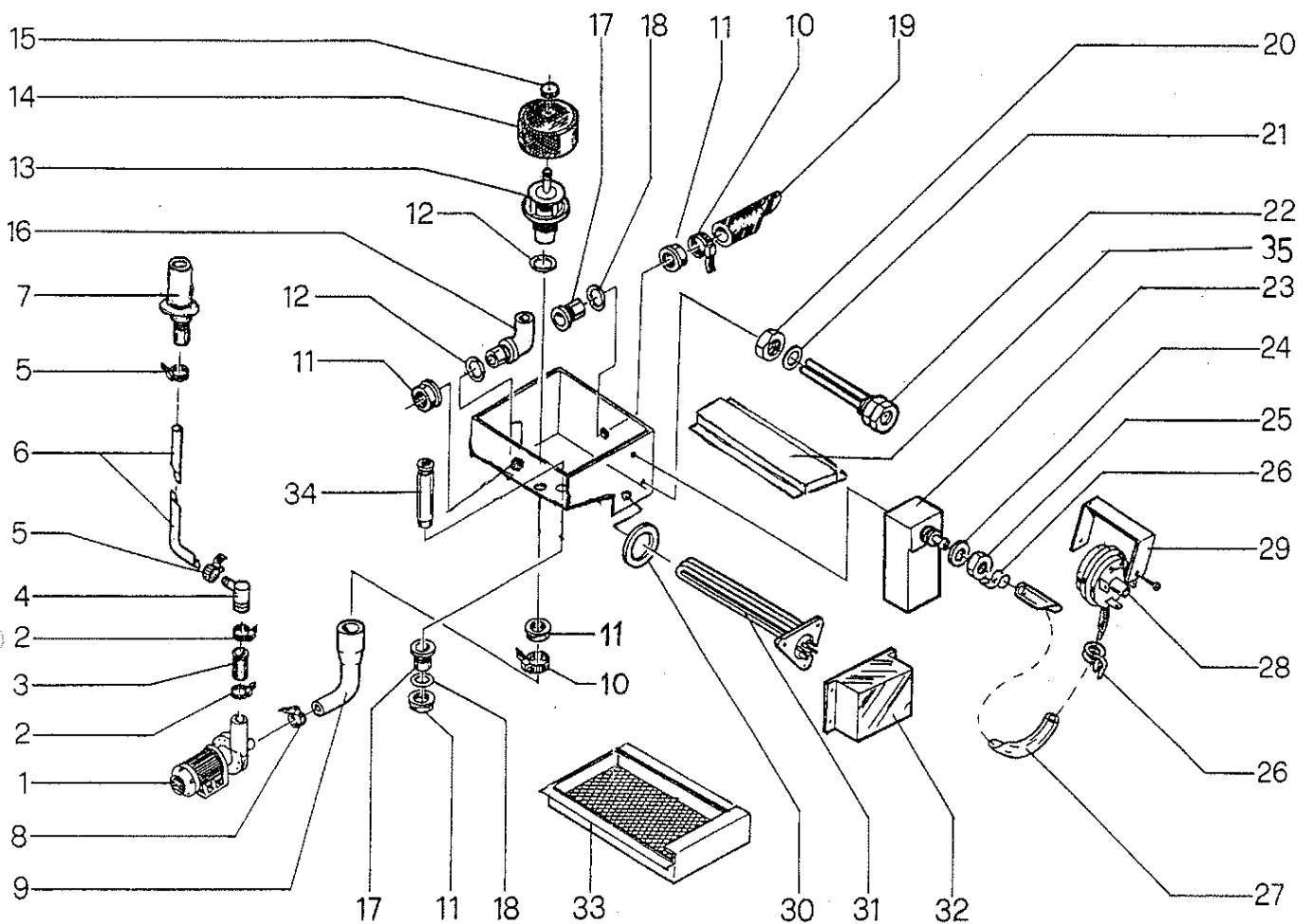
POS.	CODICE	DESCRIZIONE	DENOMINATION	DESCRIPTION	BEZEICHNUNG
1	TR2013	CAPOT PARASPRUZZI CV	CAPOT GARDE JETS CV	HOOD SPRAY-GUARD CV	SPRITZSCHUTZ W.CV
2	TR2130	CASSONE	CAISSON	HOUSING	VERKLEIDUNG
3	TR2131	COPERCHIO	COUVERCLE	COVER	DEKEL
4	TR2053	FILTRO	FILTRE	FILTRE	FILTER
5	TR0051	BATTERIA CONDENSA VAPORI	BATTERIE	CONL. BATTERY	KONDENSIERUNG
6	TR2132	DEFLETTORE	DÉFLECTEUR	VORTEX BREAKER	DEFLEKTOR
7	TR2133	SEPARATORE	SÉPARATEUR	SEPARATOR	SCHIEDER
8	TR2134	DEFLETTORE RETE	GLILLAGE DÉFLECTEUR	WIRE BREAKER	HELZ DEFLEKTOR
9	TR0484	VENTILATORE 0,75 HP	VENTILATEUR	FAN	VENTILATOR
10	907350	TUBO GOMMA 12 X 22	TUYAU EN CAOUTCHOUC	RUBBER PIPE	GUMMISCHLAUCH
11	902450	FASCETTA Ø 15-24	COLLIER	CLAMP	SHELLE
12	TR0090	ELETTRVALVOLA 3/4" 24V	ELECTROVANNE	ELECTRIC VALVE	ELEKTROVENTIL
13	TR0020	BOBINA	BOBINE	COIL	SPULE
14	908096	ATTACCO RAPIDO	BRANCHEMENT	QUICK COUPLER	SCHNELLVERSCHLUSS
15	TR0041	BRACCIO CONDENSA	BRAS	CONDENSER WATER NOZZLE	AUSLAUFDUSEN
16	TR0604	SUPPORTO RISCIAQUO SUP.	SUPPORT RINCAGE SUP.	UPPER RINSE SUPPORT	OBERER NACHSPÜLARM



POS.	CODICE	DESCRIZIONE	DENOMINATION	DESCRIPTION	BEZEICHNUNG
1	TR0487	VENTILATORE 0,75 HP	VENTILATEUR	FAN MOTOR	VENTILATOR
2	TR0488	SUPPORTO VENTILATORE	SUPPORT VENTILATEUR	FAN MOTOR SUPPORT	VENTILATOR TRÄGER
3	TR2175	BATTERIA R.C.	BATTERIE	COIL BATTERY	KONDENSIERUNG
4	TR2176	CONVOGLIATORE SUP.	CONVOYER SUP.	CHANNEL	ABLEITBLECH
5	TR2179	SQUADRETTA PER PARATIA	EQUERRE PAROI	BULKHEAD BRACKET	LUFTLEITBLECH WINKEL
6	TR2361	VALVOLA DI SFIATO 3/8"	VANNE	VANNE	LÜFTERVENTIL
7	TR2451	PROLUNGA 3/8" - 1/4"	PROLONGEMENT	EXTENSION CORD	LEITUNGSTRECKER
8	906415	TAPPO 3/4" GAS	BOUCHON	CAP	PROPFEN
9	TR2123	SPALLA CASSONE DX-SX	SUPPORT CAISSON	HOUSING SUPPORT	VERKLEIDUNG HALTER
	TR2124	SPALLA CASSONE POST.	SUPPORT CAISSON	HOUSING SUPPORT	VERKLEIDUNG HALTER
	TR2122	SPALLA CASSONE ANT.	SUPPORT CAISSON	HOUSING SUPPORT	VERKLEIDUNG HALTER
10	TR2125	COPERCHIO	COUVERCLE	COVER	DEKEL
11	TR2180	SQUADRETTA SUPP. BATTERIA	EQUERRE BATTERIE	COIL BATTERY BRACKET	KONDENSIERUNG TRÄGER
12	907100	TERMOSTATO	THERMOSTAT	THERMOSTAT	THERMOSTAT
13	TR2144	SQUADRETTA TERMOSTATO	EQUERRE THERMOSTAT	THERMOSTAT BRACKET	THERMOSTAT WINKEL
14	TR3982	MANOPOLA	BOUTON	KNOB	KNOPF
15	TR2181	SCIIVOLO	GLISSIERE	TANK FILLER	HINTERESLEITBLECH
16	TR2178	PARATIA ANT.	PAROI	BULKHEAD	LUFTLEITBLECH
17	TR2184	PARATIA POST.	PAROI	BULKHEAD	LUFTLEITBLECH
18	TR2308	TUBO ZINCATO 3/4" - 3/4"	TUYAU	PIPE	RORH
19	TR2437	RACCORDO A GOMITO 3/4" - 3/4"	RACCORD	PIPE FITTING	ANSCHLUSSE
20	907890	RACCORDO 3/4"	RACCORD	PIPE FITTING	ANSCHLUSSE
21	902460	FASCETTA Ø 25-40	COLLIER	CLAMP	SHELLE
22	TR0469	TUBO GOMMA 19X31	TUYAU EN CAOUTCHOUC	RUBBER PIPE	GUMMISCHLAUCH
23	TR0020	BOBINA 24 V	BOBINE	COIL	SPULE
24	TR0089	ELETTROVALVOLA 1"	ELECTROVANNE	ELECTRIC VALVE	ELEKTROVENTIL
25	TR2422	RACCORDO A GOMITO 1"	RACCORD	PIPE FITTING	ANSCHLUSSE
26	TR2348	NIPPLIO 1" - 3/4"	NIPPLES	NIPPLE	NIPPLE
27	TR0289	TEE	TEE	TEE	T-STÜCK
28	TR0364	RIDUTTORE DI PRESSIONE	REDUCTEUR	PRESSURE REDUCER	DRUCKMINDERER
29	TR0244	MANOMETRO PER RIDUTTORE	MANOMETRE REDUCTEUR	PRESSURE GANGE	DRUCKMESSER
30	TR0121	FILTRO	FILTRE	FILTER	FILTER
31	TR2183	VASO ESPANSIONE	RESERVOIR D'EXPANSION	GUNBARREL	UBERLAUFBEHÄLTER
32	TR2450	SARACINESCA 1/2"	VANNE	SLUICE VALVE	SCHIEBER
33	TR2177	CONVOGLIATORE INF.	CONVOYER INF.	CHANNEL	ABLEITBLECH
34	TR2182	SGOCCIOLATOIO	EGOUTTOIR	DRAINER	FÄNGER
35	TR2421	RACCORDO A GOMITO 3/4"	RACCORD	PIPE FITTING	ANSCHLUSSE
36	TR2352	NIPPLIO 3/4" - 1/2"	NIPPLES	NIPPLE	NIPPLE
37	TR2420	RACCORDO A GOMITO 1/2"	RACCORD	PIPE FITTING	ANSCHLUSSE



POS.	CODICE	DESCRIZIONE	DENOMINATION	DESCRIPTION	BEZEICHNUNG
1	TR2035	COLONNA RISCIACQUO COMPL.	COLONNE RINÇAGE COMPL.	COMPLETE RINSE PIPE	KOMPL. NACHSPULSTEIGLEITUNG
2	TR0582	COLONNA RISCIACQUO	COLONNE RINÇAGE	RINSE PIPE	NACHSPULSTEIGLEITUNG
3	908096	RACCORDO RAPIDO	ATTELLAGE	QUICK COUPLER	SCHNELLVERSCHLUSS
4	TR0007	BRACCIO RISCIA. INF. COMP.	BRAS RINÇAGE INF. COMPL.	COMPL. LOWER RINSE ARM	KOMPL. UNTERER NACHSPÜLARM
5	TR0002	BRACCIO RISCIA. INF.	BRAS RINÇAGE INF.	LOWER RINSE ARM	UNTERER NACHSPÜLARM
6	TR0006	BRACCIO RISCIA. SUP. COMP.	BRAS RINÇAGE SUP. COMPL.	COMPL. UPPER RINSE ARM	KOMPL. OBERER NACHSPÜLARM
7	TR0001	BRACCIO RISCIA. SUPERIORE	BRAS RINÇAGE SUP.	UPPER RINSE ARM	OBERER NACHSPÜLARM
8	TR0014	GETTO RISCIACQUO	JET DE RINÇAGE	RINSE JET	SPÜLDÜSE
9	TR0008	GETTO DOPPIO RISCIACQUO	JET DOUBLE RINÇAGE	DOUBLE RINSE JET	DOPPELSPÜLDÜSE
10	TR0604	SUPPORTO RISCIA. SUP.	SUPPORT RINÇAGE SUP.	UPPER RINSE SUPPORT	OBERER NACHSPÜLALTERUNG
11	TR0611	SUPPORTO RISCIA. INF.	SUPPORT RINÇAGE INF.	LOWER RINSE SUPPORT	UNTERER NACHSPÜLALTERUNG
12	904340	O-RING	O-RING	O-RING	O-RING
13	902110	GHIERA 1/2" GAS	FRETTE	LOCK NUT	NUTMUTTER
14	902450	FASCETTA Ø 15-24	COLLIER	CLAMP	SHELLE
15	907350	TUBO GOMMA 22X12	TUYAU EN CAOUTCHOUC	RUBBER PIPE	GUMMISCHLAUCH
16	TR0097	RACCORDO POMPA DOPPIO RISC.	RACCORD	PIPE FITTING	ANSCHLUSSE
17	902461	FASCETTA Ø 30-40	COLLIER	CLAMP	SHELLE
18	TR0706	MANICOTTO MANDATA	MANCHON DE REFAULEMENT	ONLET ELBOW	AUSLAMUFFE
19	902228	POMPA 0,15 HP	POMPE	PUMP	PUMPE
20	TR2162	SUPPORTO TENDINA INTERNA	SUPPORT POUR RIDEAU	BRACKET	CURTAINWINKEL SPRITZSCHUTZ
21	TR0374	SUPPORTO POMPA	SUPPORT POUR POMPE	PUMP SUPPORT	PUMPE MAUFNAMME
22	906401	SQUADRETTA PER CONDENSATORE	EQUERRE POUR CONDENSATEUR	CONDENSER BRACKET	TRÄGE KONDENSATOR
23	901744	CONDENSATORE 6,3 µF	CONDENSATEUR	CONDENSER	KONDENSATOR



POS.	CODICE	DESCRIZIONE	DENOMINATION	DESCRIPTION	BEZEICHNUNG
1	902228	POMPA 0,15 HP	POMPE	PUMP	PUMPE
2	902461	FASCETTA Ø 30-40	COLLIER	CLAMP	SHELLE
3	TR0706	MANICOTTO MANDATA	MANCHON DE REFOULEMENT	OULET ELBOW	AUSLAMUFFE
4	TR0097	RACCORD POMPA DOPPIO RISC.	RACCORD	PIPE FITTING	ANSCHLUSSE
5	902450	FASCETTA Ø 15-24	COLLIER	CLAMP	SHELLE
6	907350	TUBO GOMMA 22X12	TUYAU EN CAOUTCHOUC	RUBBER PIPE	GUMMISCHLAUCH
7	TR2035	COLONNA RISCIACQUO	COLONNE RINÇAGE	RINSE PIPE	NACH SPÜLSTEGLEITUNG
8	902461	FASCETTA Ø 30-40	COLLIER	CLAMP	SHELLE
9	TR0707	MANICOTTO ASPIRAZIONE	MANCHON D'ASPIRATION	INLET ELBOW	ANSAUGMUFFE
10	902481	FASCETTA Ø 40-55	COLLIER	CLAMP	SHELLE
11	902080	GHIERA 1" 1/4	FRETTE	LOCK NUT	NUTMUTTER
12	903325	GUARNIZIONE 1" 1/4 GAS	JOINT	GASKET	DICHTUNG
13	905380	RACCORDO ASPIRAZIONE	RACCORD D'ASPIRATION	INTAKE PIPE FITTING	ANSAUGANSCHLUSS
14	902580	FILTRO	FILTRE	FILTER	FILTER
15	902850	GHIERA	FRETTE	LOCK NUT	NUTMUTTER
16	905410	RACCORDO DI TRAVASO	RACCORD	PIPE FITTING	ANSCHLUSSE
17	905450	RACCORDO 1" 1/4	RACCORD	PIPE FITTING	ANSCHLUSSE
18	903880	O-RING	O-RING	O-RING	O-RING
19	TR1027	TUBO GOMMA	TUYAU EN CAOUTCHOUC	RUBBER PIPE	GUMMISCHLAUCH
20	902110	GHIERA 1/2" GAS	FRETTE	LOCK NUT	NUTMUTTER
21	903250	GUARNIZIONE 1/2" GAS	JOINT	GASKET	DICHTUNG
22	TR0298	PORTABULBO	SIEGE DE BULBE	SEATING BULB	KUGELSITZ
23	907252	TRAPPOLA ARIA	RESERVOIR AIR	AIR TRAP	LUFTFALLE
24	903260	GUARNIZIONE 3/8"	JOINT	GASKET	DICHTUNG
25	902100	GHIERA 3/8"	FRETTE	LOCK NUT	NUTMUTTER
26	902425	FASCETTA ELASTICA	COLLIER	CLAMP	SHELLE
27	907270	TUBO PRESSOSTATO	TUYAU POUR PRESSOSTAT	PRESSURE SWITCH PIPE	LAUCH
28	905270	PRESSOSTATO	PRESSOSTAT	PRESSURE SWITCH	DRÜCKWÄCHTER
29	TR3220	SQUADRETTA PRESSOSTATO	EQUERRE PRESSOSTAT	PRESSURE SWITCH BRACKET	WINKEL DRÜCKWÄCHTER
30	TR0190	GUARNIZIONE RESISTENZA	JOINT RESISTANCE	HEATING GASKET	HEIZKÖRPERLUFTFALLE
31	905560	RESISTENZA 4.500 W	RESISTANCE	HEATING ELEMENT	HEIZKÖRPER
32	TR1037	COPRIRESISTENZA	PROTECTION RESISTANCE	HEATING COVER	HEIZKÖRPER SCHUTZ
33	TR2009	FILTRO	FILTRE	FILTER	FILTER
34	TR1010	TROPPAPIENO	NIVEAU	OVER FLOW	ÜBERLAUFROHR
35	TR1542	TRAVERSA SUPP. FILTRI	SUPPORT FILTRES	FILTER SUPPORT	FILTER TRÄGER

