

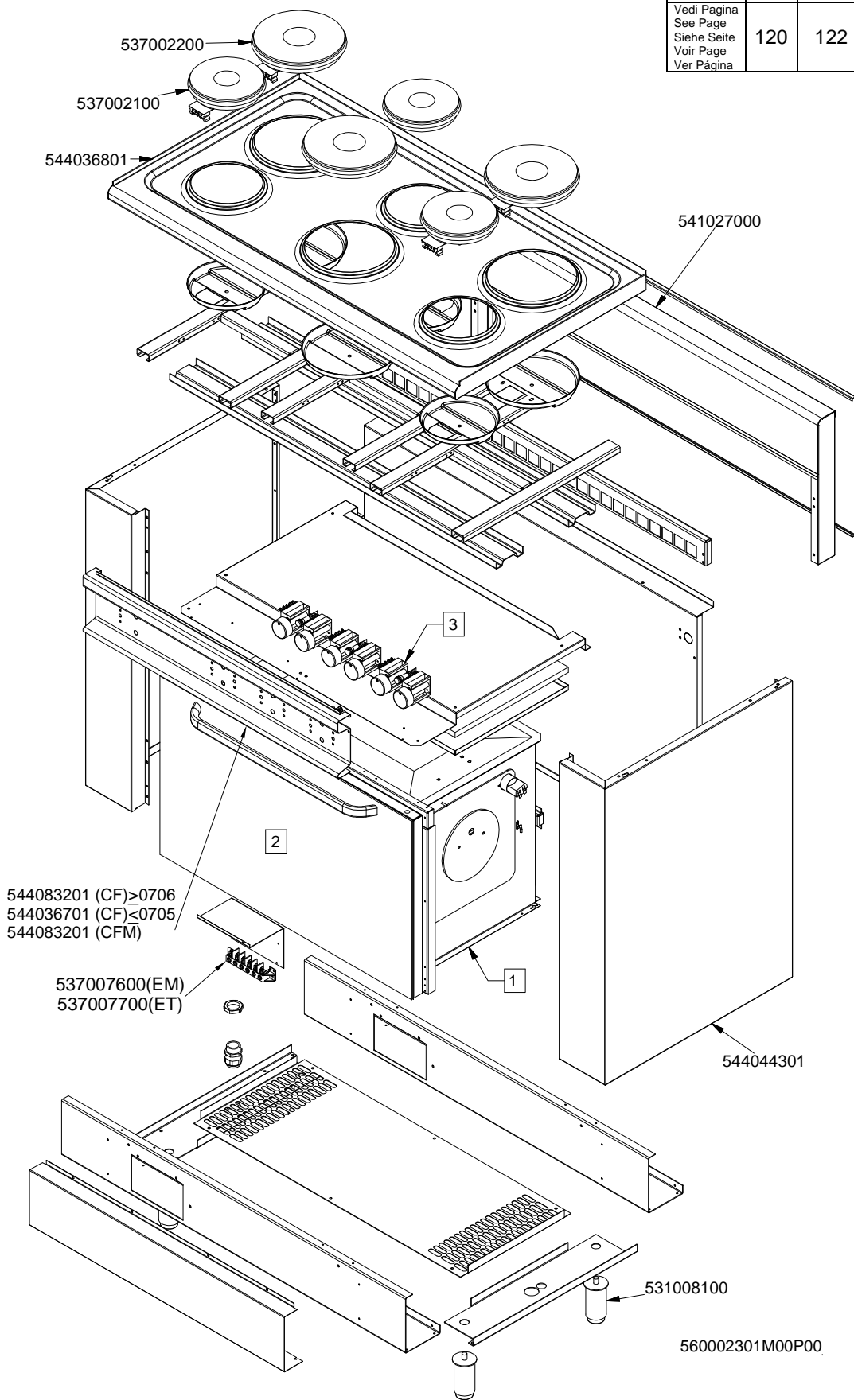
MAGIC SNACK 60

CUCINE / RANGES / HERDE / CUISINIÈRES / N° 0310

CF-10/6

CF-10EM/6 CF-10ET/6 CFM-10EM/6 CFM-10ET/6

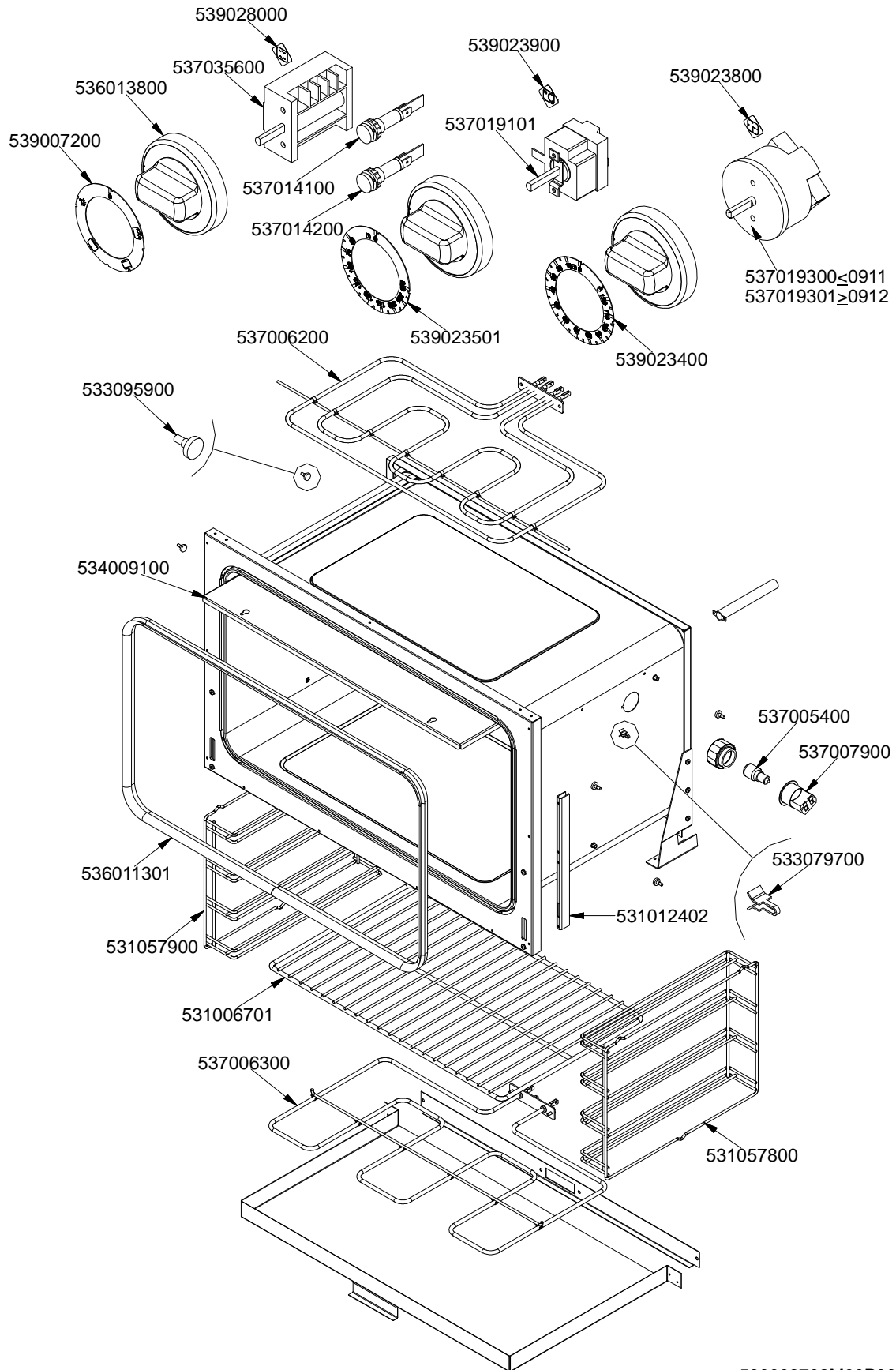
| | 1CF | 1CFM | 2 | 3 |
|---|-----|------|-----|-----|
| Vedi Pagina See Page Siehe Seite Voir Page Ver Pàgina | 120 | 122 | 126 | 130 |



MAGIC SNACK 60

CUCINE / RANGES / HERDE / CUISINIÈRES / N° ≥0310
FORNO / OVEN / BACKOFEN / FOUR / CF-8 10 10/6

ELETTRICO STATICO / TRADITIONAL ELECTRIC / STATISCHER ELEKTRO- /
ELECTRIQUE STATIQUE ≥0706



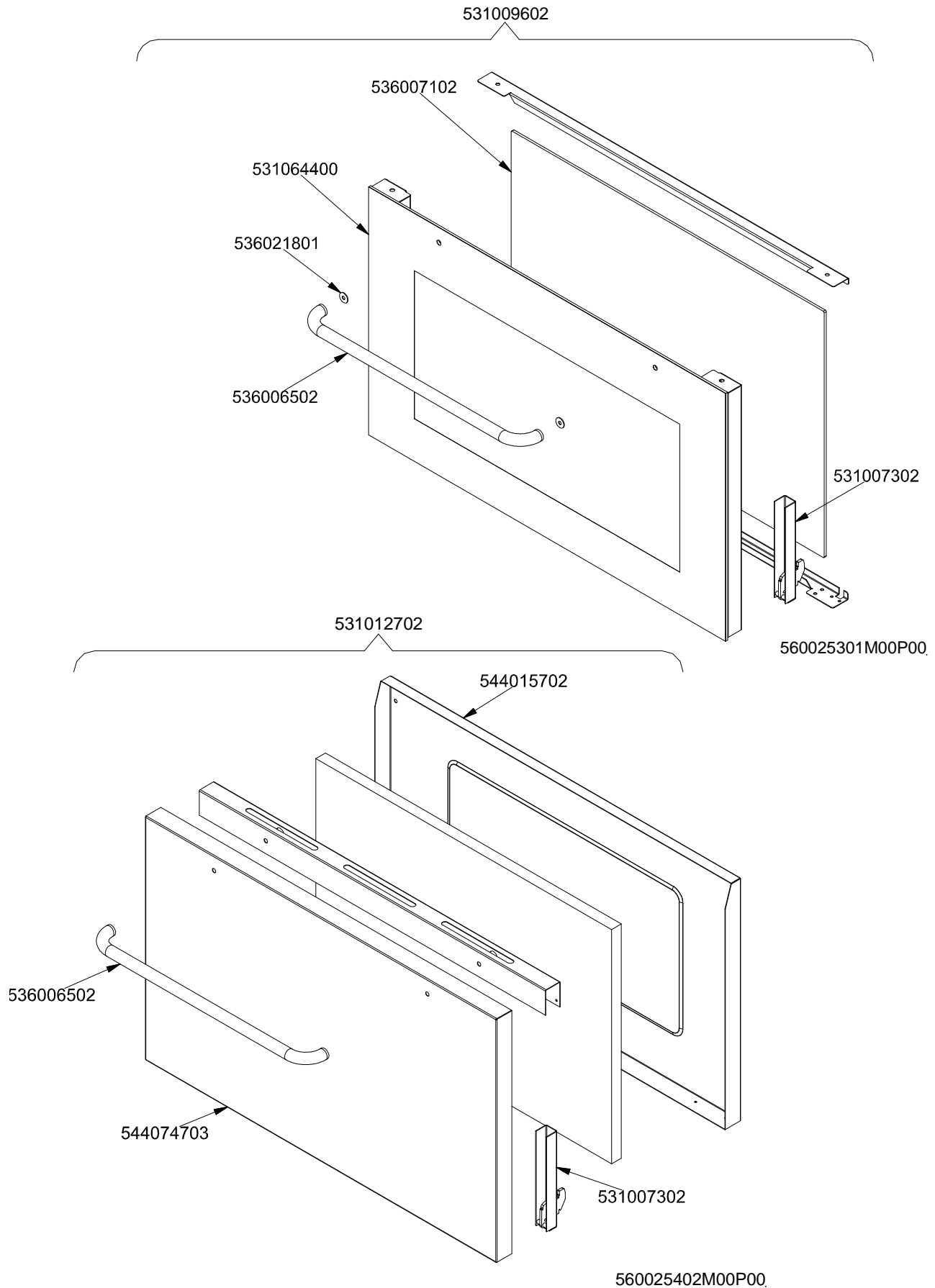
560003702M00P00.

MAGIC SNACK 60

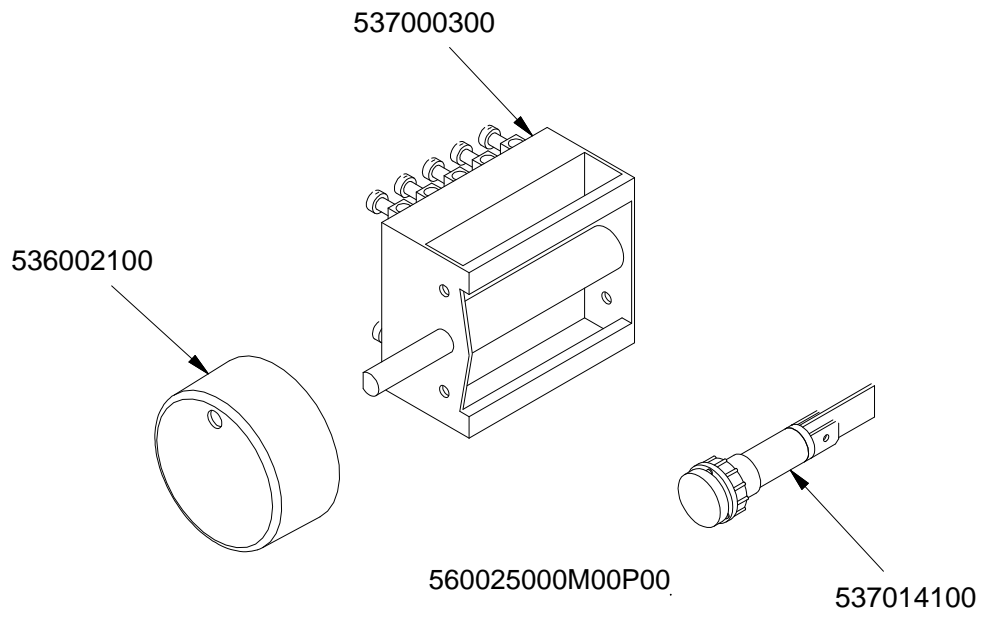
CUCINE / RANGES / HERDE / CUISINIÈRES / N° ≥ 0310

FORNO / OVEN / BACKOFEN / FOUR / CF-8 10 10/6

PORTE / DOORS / TÜREN / PORTES ≥ 0706



PC-E



| Page | Pos | Code | Description |
|------|-----|-----------|-------------------------------------|
| 001 | | 537002200 | ELECTRICAL PLATE D.180 W1500 V230 |
| 001 | | 537002100 | ELECTRICAL PLATE D.145 W1000 V230 |
| 001 | | 544036801 | UPPER PLATE CF-10E/6 (NEW MODEL) |
| 001 | | 541027000 | NEUTRAL SPACER 1000 |
| 001 | | 544083201 | CONTROL PANEL CFM-10ET/6 |
| 001 | | 544036701 | CONTROL PANEL CF-10ET 6PLATES (NEW) |
| 001 | | 537007700 | TERMINAL BLOCK THREEPHASE 40A |
| 001 | | 544044301 | SIDE NEW CF-10 |
| 001 | | 531008100 | ADJUSTABLE LEG H9 CHROME |
| 002 | | 539028000 | SELECTOR SIGN PLATE FOR OVEN |
| 002 | | 537035600 | OVEN COMMUTATOR * EL. 60+65LINES |
| 002 | | 536013800 | KNOB D.70 BLACK 6*5 WITH SPRING |
| 002 | | 539007200 | ADHESIVE GRADUATE F.MAXI-EL.STAT.OV |
| 002 | | 537014100 | WHITE WARNING LIGHT 250V |
| 002 | | 537014200 | GREEN WARNING LIGHT 250V |
| 002 | | 539023900 | SIGN PLATE FOR OVEN TEMPERATURE |
| 002 | | 537019101 | THERMOSTAT MONOPHAS.050-320°C F.MF |
| 002 | | 539023800 | SIGN PLATE FOR OVEN TIMER |
| 002 | | 537019300 | TIMER FOR MULTIFUNCTION OVEN |
| 002 | | 537019301 | |
| 002 | | 539023400 | ADHESIVE GRADUATED DISC F.KNOB |
| 002 | | 539023501 | ADHESIVE GRAD.DISC *E.MULTIF.TERM. |
| 002 | | 537006200 | UPPER OVEN HEATING EL.1000+2000W |
| 002 | | 533095900 | PIN FOR GRIDSHOLDER SUPPORT CF 60 |
| 002 | | 534009100 | GRILL PROTECTION CF-8/10 |
| 002 | | 537005400 | OVEN BULB 15W 300°C |
| 002 | | 537007900 | OVEN BULB-SOCKET |
| 002 | | 533079700 | LOCK SPRING FOR BULB §3/§4 |
| 002 | | 531012402 | DOOR WHEEL HOLDER FOR MAXI OVEN |
| 002 | | 531057800 | RHD GRIDS HOLDER FOR MAXI-OVEN |
| 002 | | 536011301 | OVEN GASKET CF-8/10 *FE* |
| 002 | | 531057900 | LHD GRIDS HOLDER FOR MAXI-OVEN |
| 002 | | 531006701 | MAXI OVEN GRID FOR S60/65 |
| 002 | | 537006300 | LOWER OVEN HEATING EL.W1750 230CF8/ |
| 003 | | 536007102 | |
| 003 | | 531064400 | EXTERNAL GLASS MAXI OVEN DOOR+FRAME |
| 003 | | 536021801 | DOOR HANDLE SPACER FOR MAXI OVEN |
| 003 | | 536006502 | OVEN DOOR HANDLE 60LINE AL. |
| 003 | | 531007302 | DOOR HINGE FOR MAXI OVEN 60.LINE |
| 003 | | 531012702 | STAINLESS STEEL OVEN DOOR 60 LINE |
| 003 | | 544015702 | INNER-DOOR FOR MAXI OVEN OF 60LINE |
| 003 | | 544074703 | S/S MAXI OVEN DOOR PANEL |
| 004 | | 537000300 | COMMUTATOR 7 POSITIONS S.49 16A |
| 004 | | 536002100 | KNOB 7 POSITIONS SNACK |
| 004 | | 537014100 | WHITE WARNING LIGHT 250V |