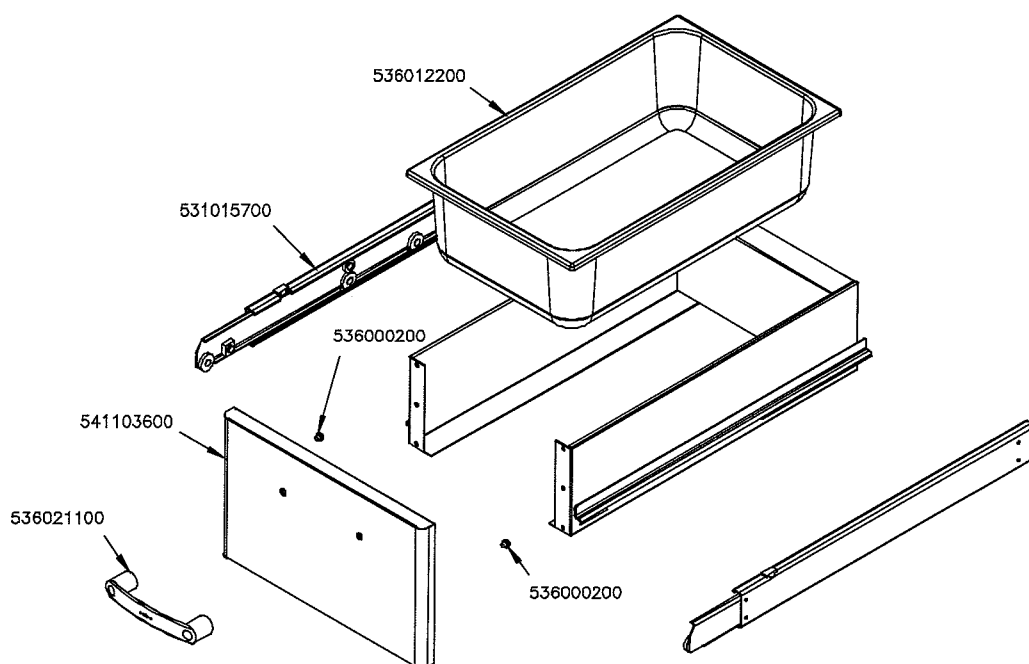
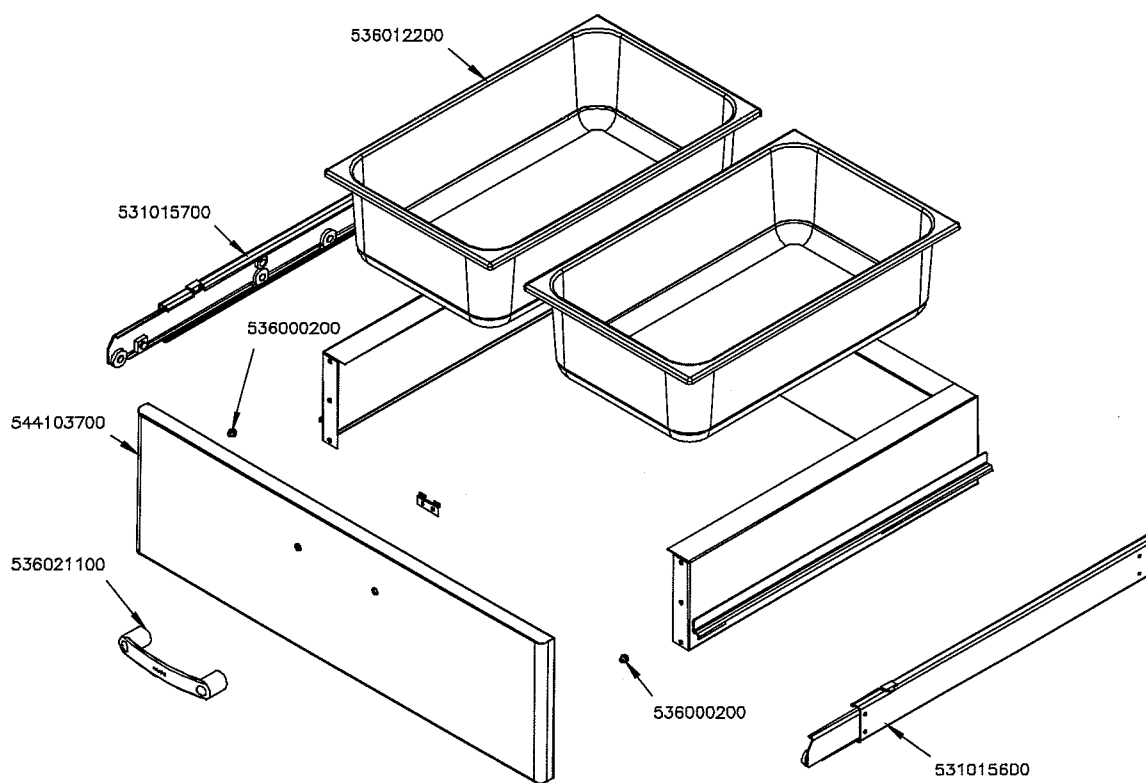


CASSETTI MOBILE / DRAWERS OF THE STAND / SCHUBLADEN DES UNTERSCHRANK /  
TIROIRS DU PLACARD

C-74



C-78



<b>Page</b>	<b>Pos</b>	<b>Code</b>	<b>Description</b>
001		536012200	PLASTIC CONTAINER GN 1/1 H.150
001		531015700	LHD TELESCOPIC GUIDE RS50 L=570
001		536000200	D.12 H.4 BUMPER
001		541103600	ROUNDED DRAWER 74
001		536021100	BLACK HANDLE 70LINE + 2RED POINTS