



**SPARE PARTS CATALOGUE
ERSATZTEILKATALOG
CATALOGUE PIECES DETACHEES
CATALOGO PARTI RICAMBIO
CATALOGO DE PIEZAS DE RECAMBIO
CATALOGO PEÇAS DE REPOSIÇÃO**

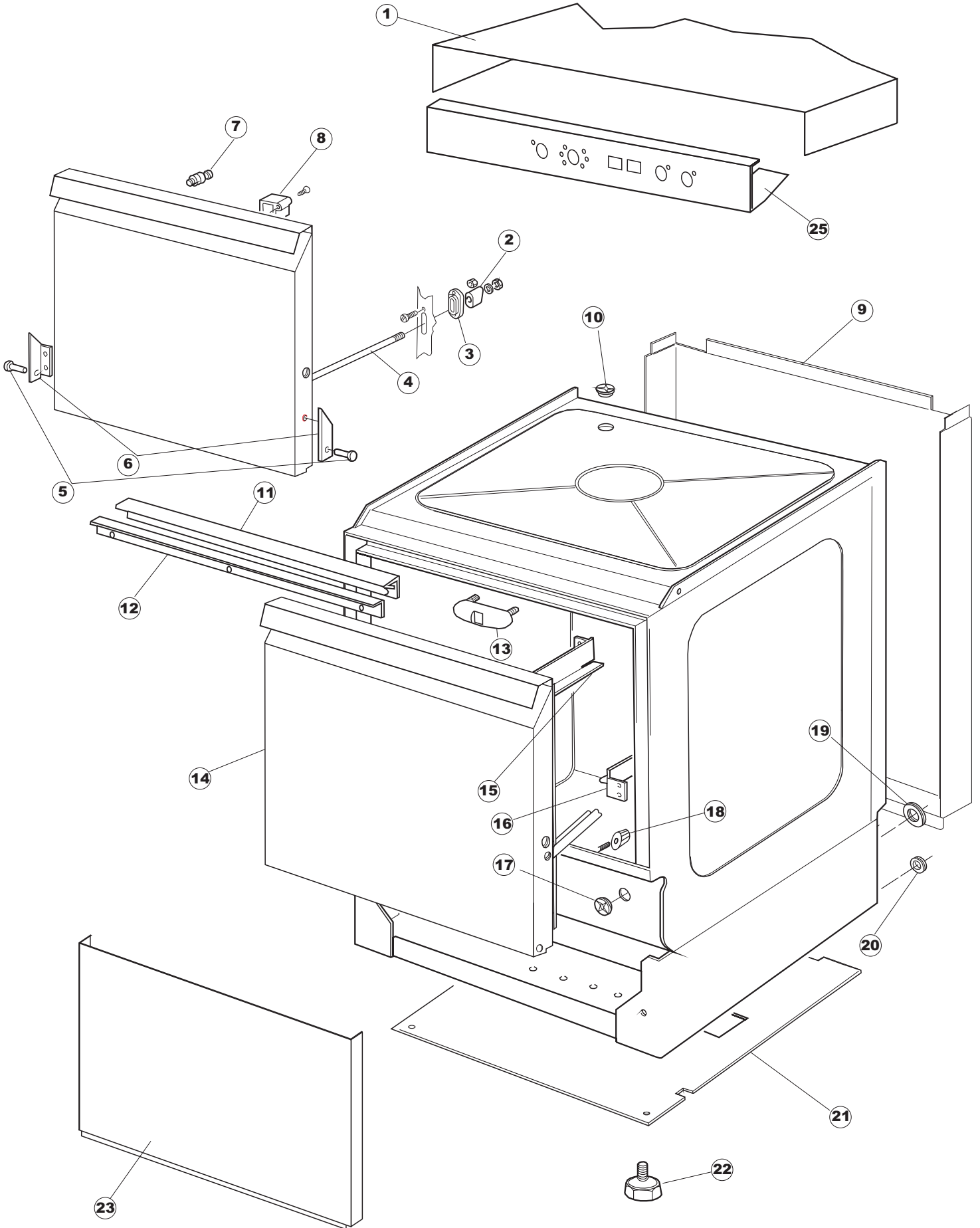
LS 511

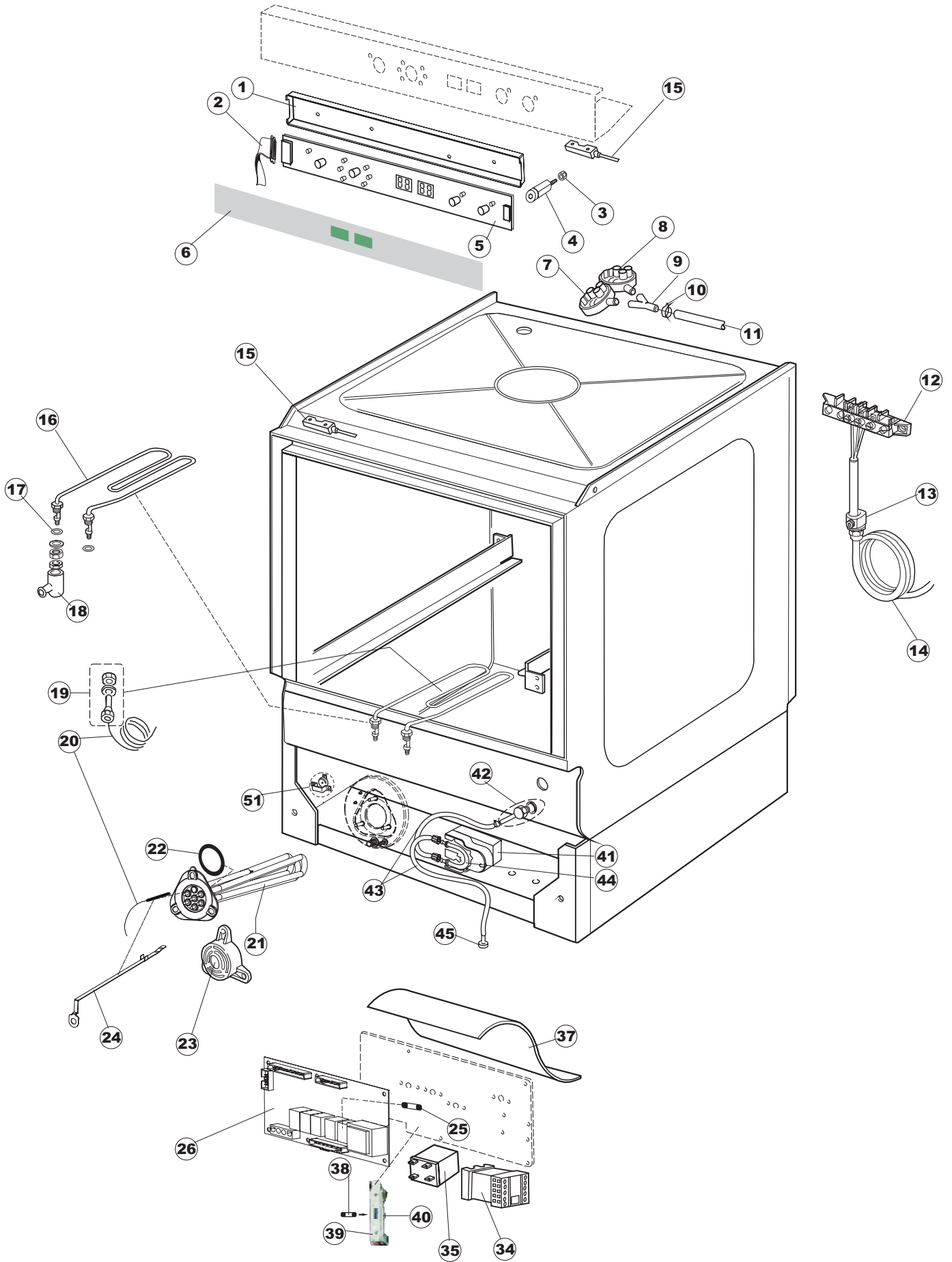
LS 511A

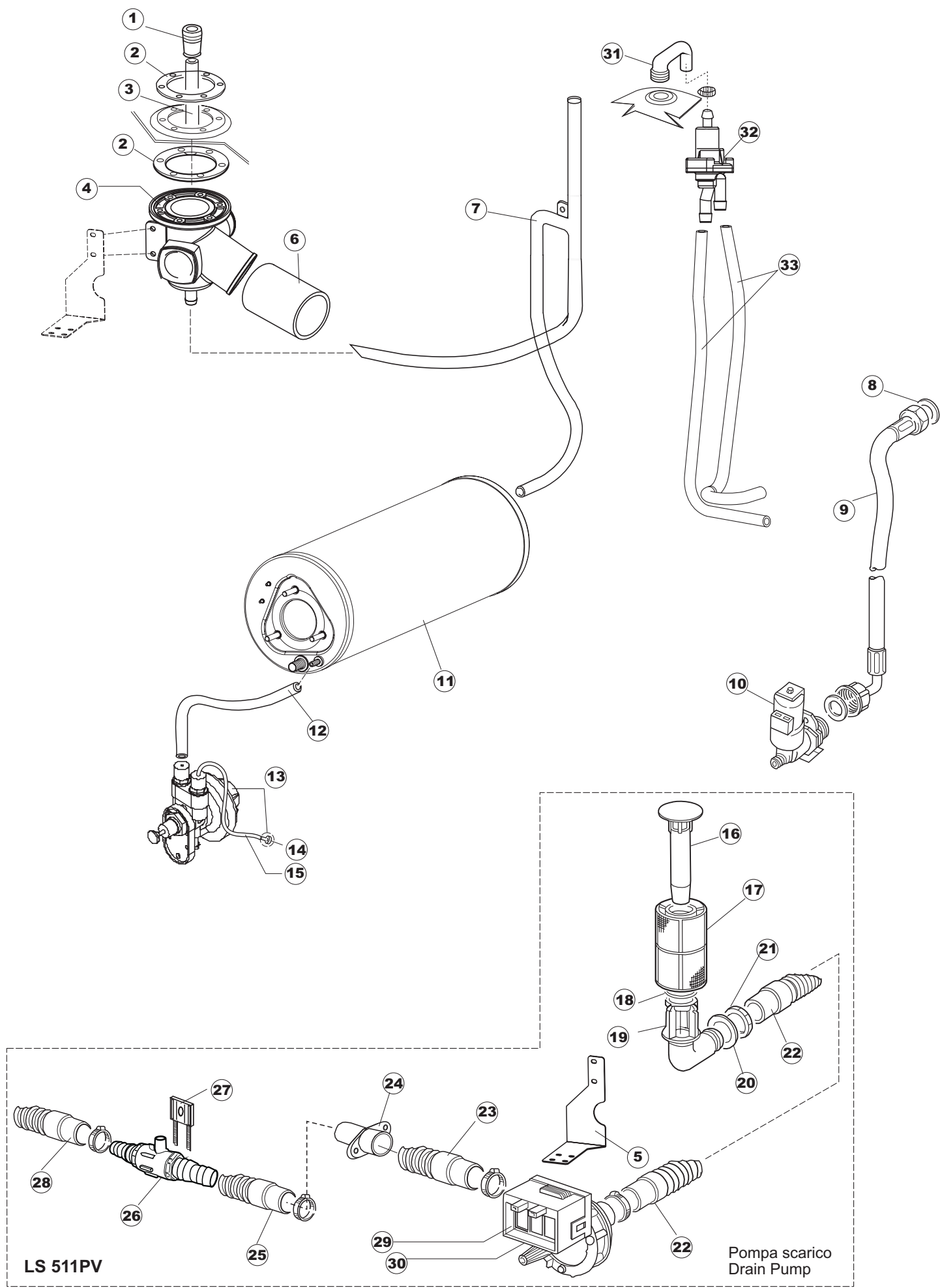
LS 511PV

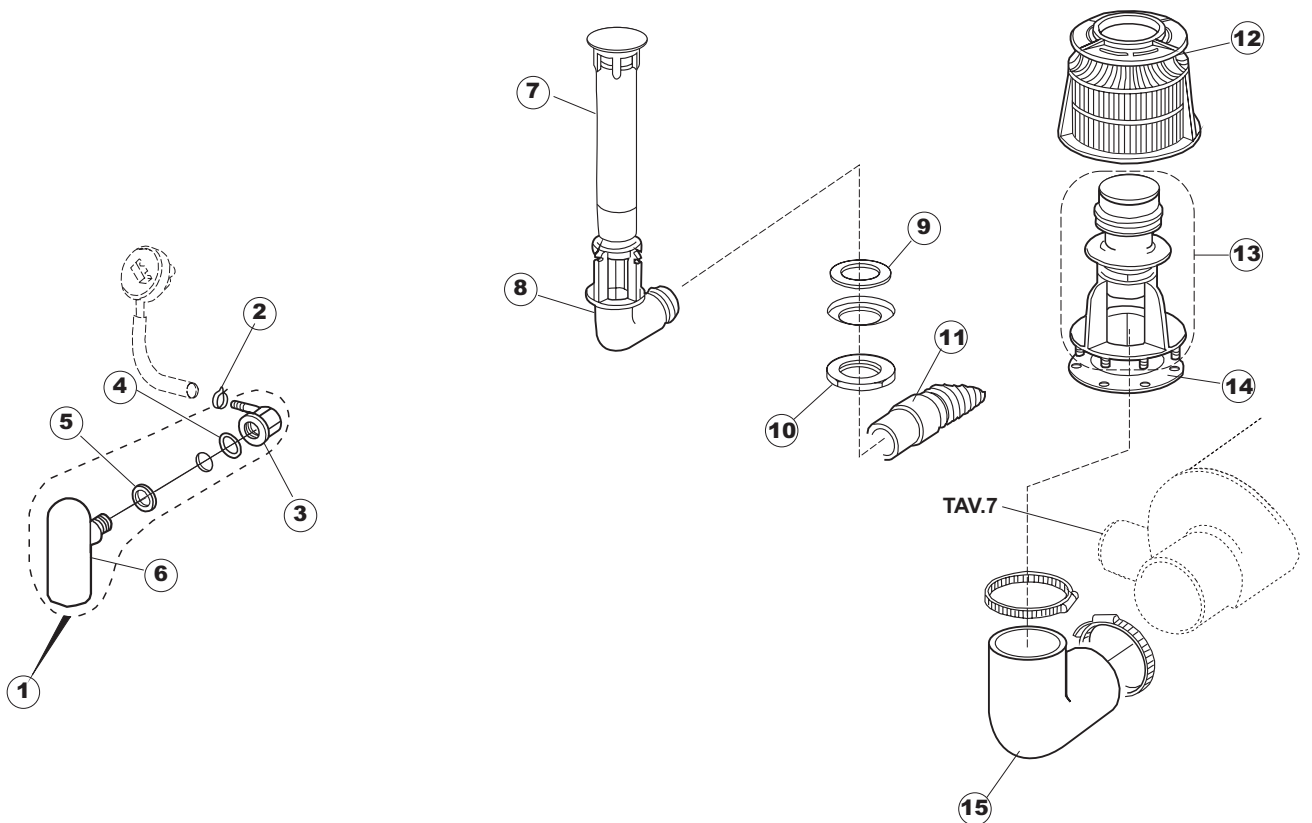
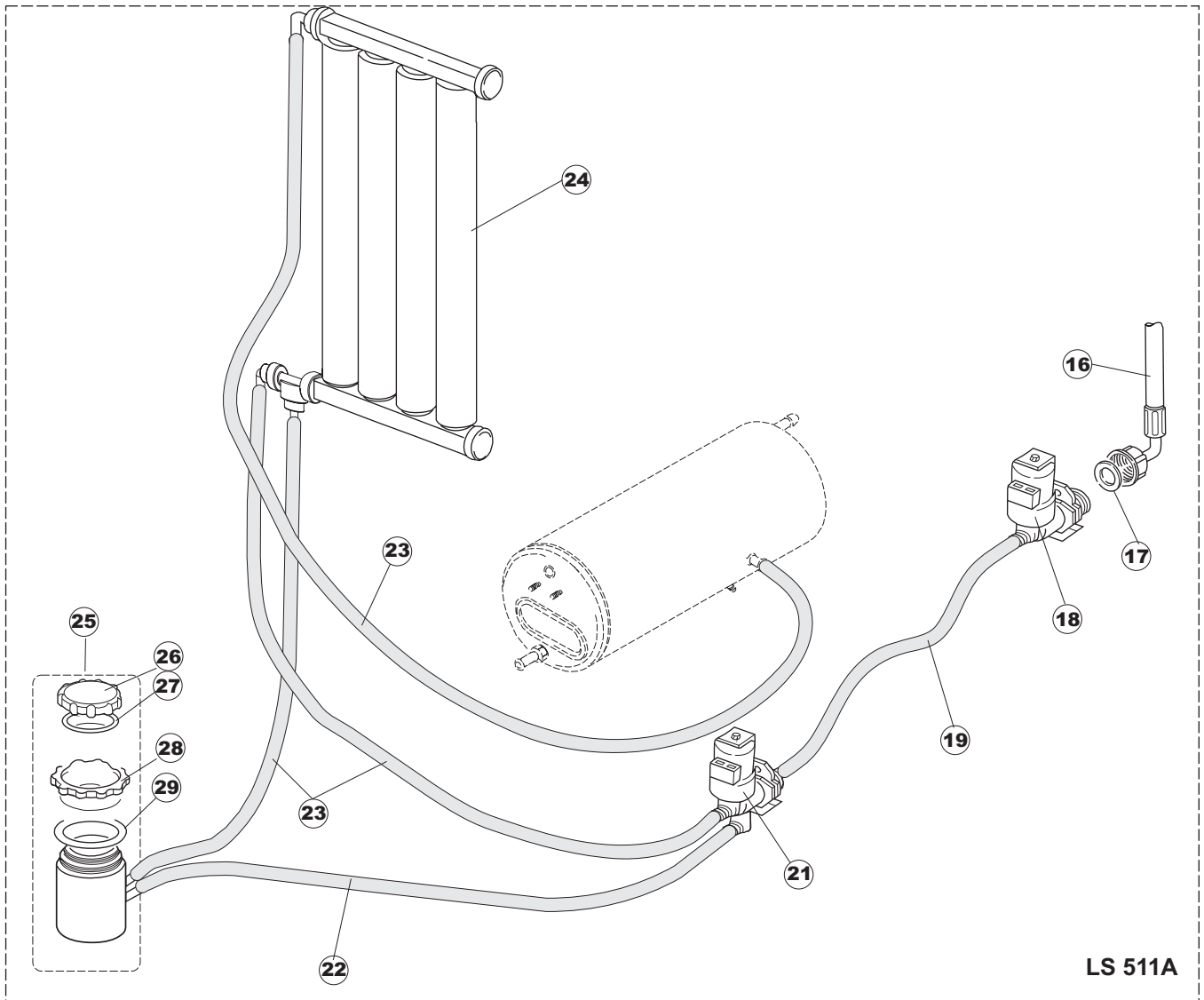
03-05-2011

1

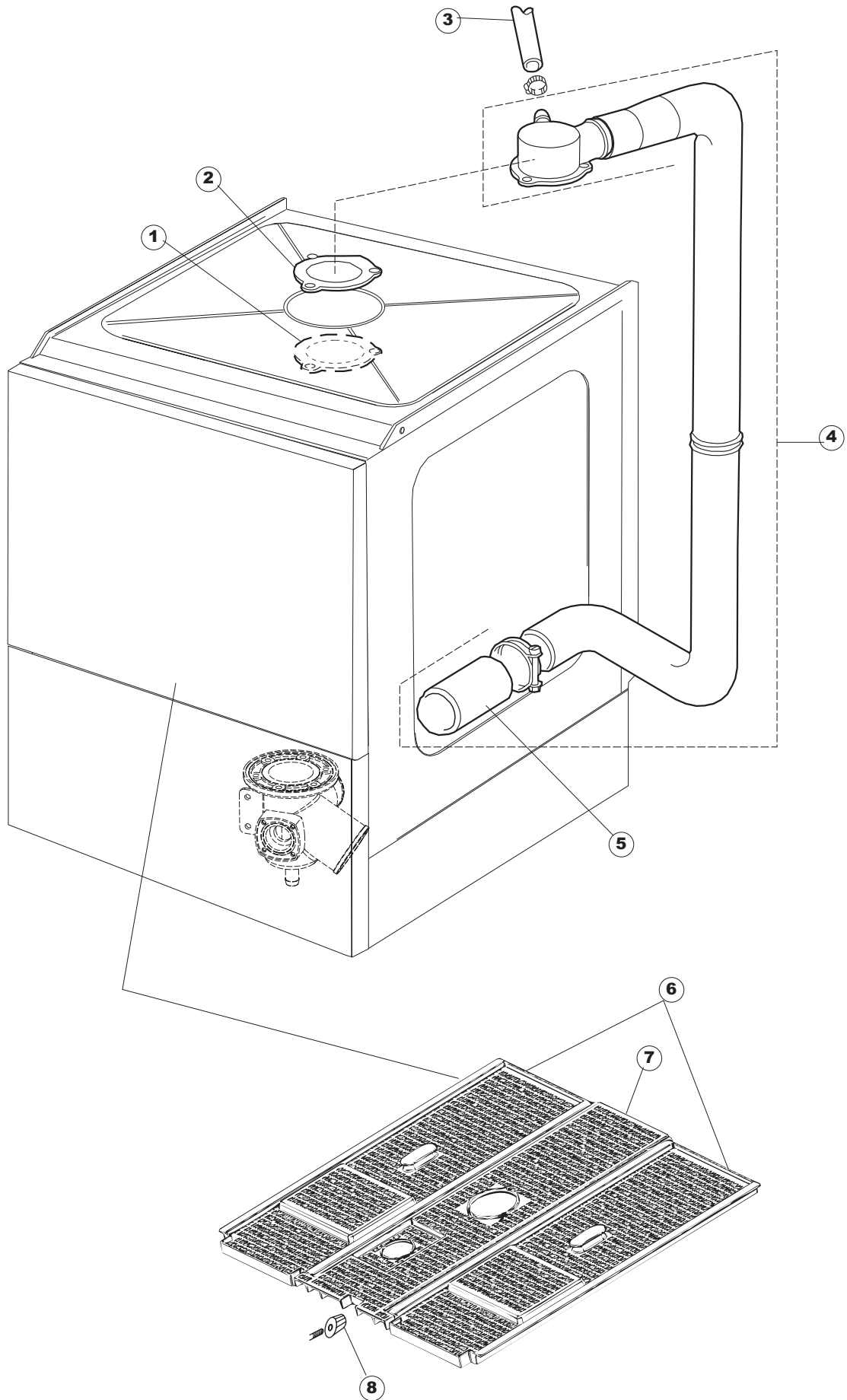




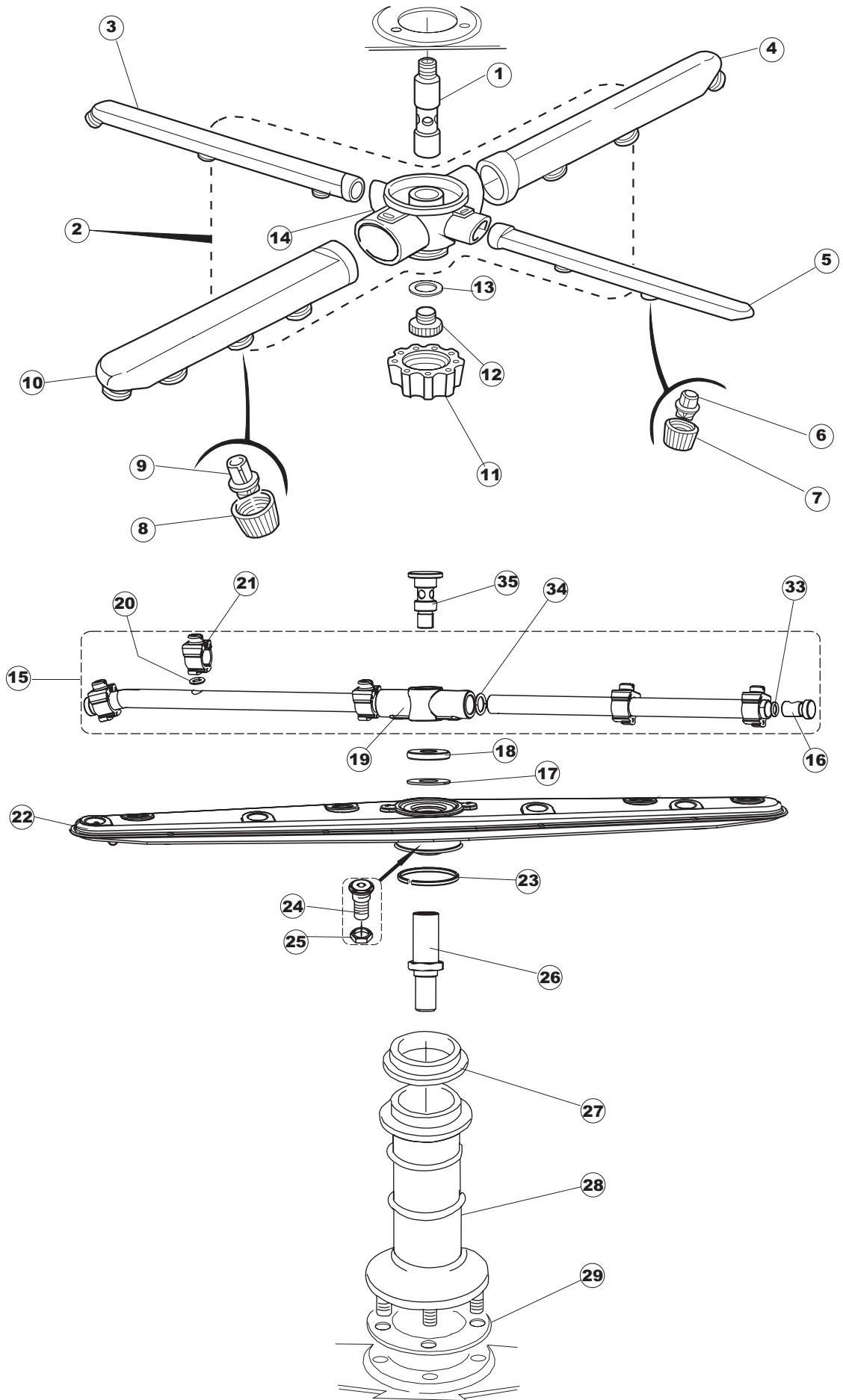




5

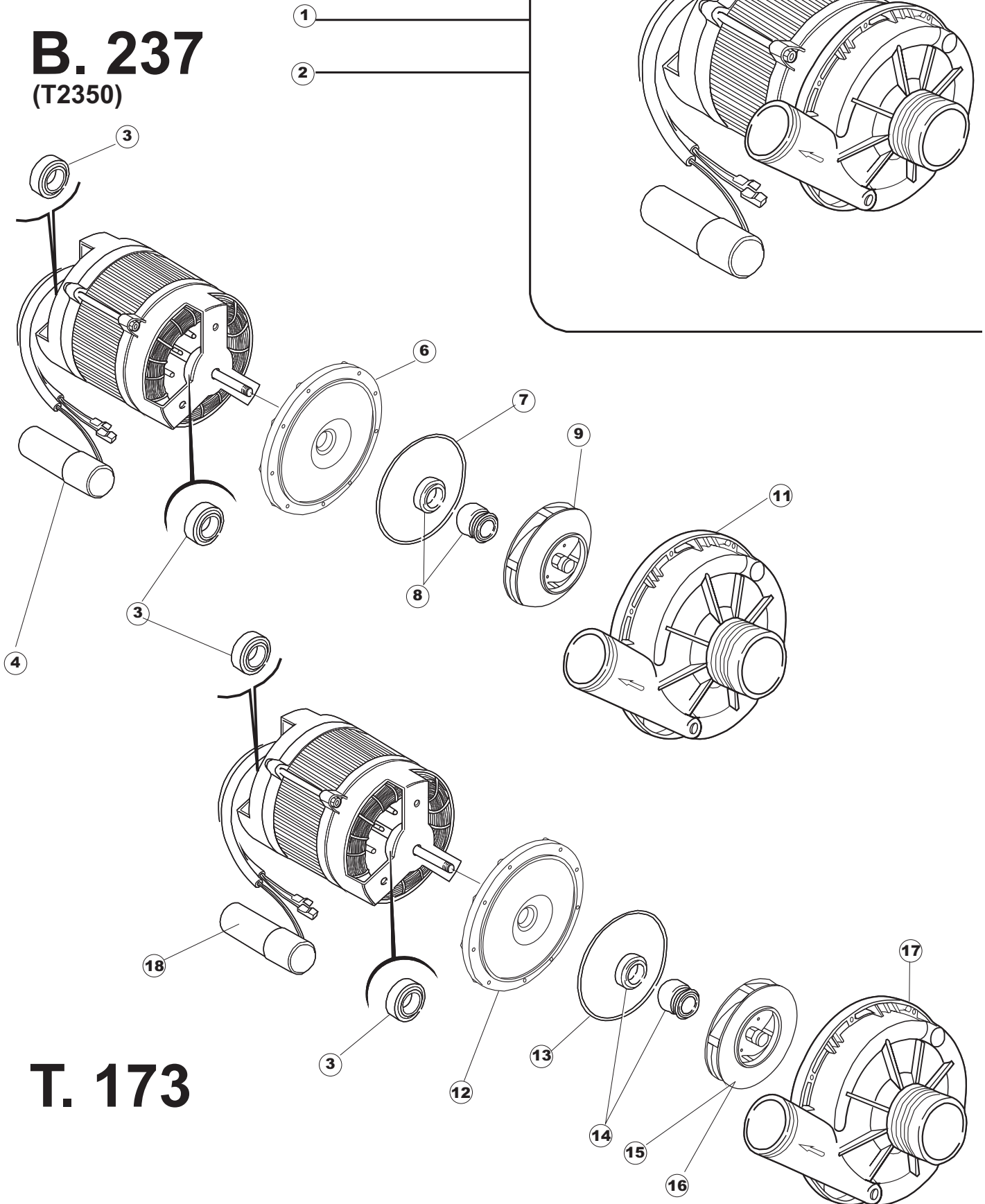


6



B. 237

(T2350)



T. 173

Page	Spare part position	Code number	Old code number	Description	U. m.
1	1	004066	REB004066	COVER - 50/503	NR
1	2	417041	REB417041	NUT, DOOR BUFFER	NR
1	3	307003	REB307003	NUT-LEDGE, FOR ROD	NR
1	4	304021	REB304021	ROD, DOOR GUIDE 50/500/453/463/503	NR
1	5	325036	REB325036	PIN, DOOR HINGE 50	NR
1	6	311019	REB311019	HINGE, DOOR 45/46/50..	NR
1	7	325066	REB325066	LOCK PIN BETA 246/250	NR
1	8	999108	REB999108	GRUPPO CALAMITA PORTA 453/463/500/503	NR
1	9	022095	REB022095	PANEL, REAR CPL 50/503	NR
1	10	480058	REB480058	CAP, RUBBER D.17	NR
1	11	437081	REB437081	GASKET, DOOR - 50/503	NR
1	12	033301	REB033301	BRACKET, FIXED FOR DOOR GASKET 50/503	NR
1	13	994012	DWS30	GRUPPO SERRATURA EB/F 22/44	NR
1	14	029590		DOOR	NR
1	15	015064		RACK SLIDE SX.	NR
1	16	015063		RACK SLIDE DX.	NR
1	17	480057	REB480057	CAP, RUBBER D.14	NR
1	18	408006	REB408006	STUD, FOR TANK FILTER - GREY	NR
1	19	459004	REB459004	PIPEHOLDER, RUBBER DI.34	NR
1	20	459006	REB459006	FAIRLEAD, Di9/De16 22	NR
1	21	030080	REB030080	PROTECTION, LOW. SOCLE 50/503	NR
1	22	461019	REB461019	FOOT, ADJUST. D30 M8	NR
1	23	012326		FRONT PANEL	NR
1	25	025444		CONTROL PANEL	NR
2	1	214104		PLASTIC PROTECTION	NR
2	2	211013		FLAT WIRE	NR
2	3	417119		NUT, M3 PLASTIC WHITE	NR
2	4	419036		SPACER, M3	NR
2	5	227084		PUSH BUTTONS ASSEMBLY	NR
2	6	026073		POLYESTERE	NR
2	7	224003	REB224003	PRESSURE SWITCH - 55/35	NR
2	8	224010		PRESSURE SWITCH, DRAIN PUMP SAFETY 110/75	NR
2	9	035031	REB035031	UNION, Y-TYPE, PRESSURE SWITCH 760	NR
2	10	423011	REB423011	CLAMP, SPRING-TYPE	NR
2	11	143013	REB143013	PIPE, PVC GREEN 4X7	MT
2	12	220011	REB220011	* TERMINAL BOARD, 5-POLES + EARTH FV.122	NR
2	13	459005	REB459005	CABLE CLAMPS, STEAB art.5024	NR
2	14	H.374339-2		CABLE H07RN-F 5X2.5X3.0MT	NR
2	15	80871		MAGNETIC DOOR SWITCH	NR
2	16	230086	REB230086	RESISTANCE, TANK 2700W/220V-3200W/240V 22/44/50	NR
2	17	456015	REB456015	O-ring 112 9.92X2.62	NR
2	18	463007	REB463007	LUG, RESISTANCE PROTECTION	NR
2	19	999160		GRUPPO BULBO SONDA VASCA	NR
2	20	231016		TEMP. PROBE	NR
2	21	230111		RESIST.B.4900W/230-400V	NR
2	22	456002	REB456002	O-ring 48x6,2	NR
2	23	69870		BOILER HEATING ELEMENT PROTECTION	NR
2	24	69871		PROBE HOLDER	NR
2	25	228010		FUSE	NR
2	26	999298		SCHEDA GET50(2 DISPLAY)	NR
2	34	H.775599-001		* CONTACTOR, QUADRIPOLE 240V-50/60HZ	NR

2	35	229040		RELAY 62.83.8.230.0300	NR
2	37	214090		EL.PROTECTION,TRANSP.453	NR
2	38	228004		FUSE, 5X20 4A FAST	NR
2	39	210010		FUSE-HODER	NR
2	40	210011		PLATE	NR
2	41	209021		PERISTALTIC DISPENSER (NBR-3)	NR
2	42	468151	DZR150NT	UNION, EXTRA DET. CPL NM * WELDED	NR
2	43	143194	REB143194	PIPE 4x6 CRISTAL, TRANSP.	MT
2	44	143219	REB143219	TUBE, SANTOPRENE 6X10 FITTINGS+METAL RINGS	NR
2	45	121075	REB121075	FILTER, SUCT.INOX (775239-001)	NR
2	51	236047	REB236047	THERM.,CONT. /S.95ø+/-3ø	NR
3	1	441009	REB441009	INSERT, SEAL D10 COLL.S621-	NR
3	2	437014	REB437014	GASKET, LOWER MANIFOLD S850	NR
3	3	143174	REB143174	PIPE, WATER LOW.COLL. RINSE 50	NR
3	4	111030		NEUTRAL LOWER MANIFOLD ASS. E50NM+PLUG	NR
3	5	035064		BRACKET, DRAIN PUMP FOR MANIFOLD 50NM	NR
3	6	127026	REB127026	SLEEVE, PUMP DELIVERY 22/500	NR
3	7	143240		PIPE, H-)COND.UPPER	NR
3	8	437041	REB437041	GASKET 3/4 GAS LOAD	NR
3	9	929169	RAT32	TUBO DI CARICO DEL TERMOPLASTICO	NR
3	10	240011	REB240011	LOADING S.VALVE 1-WAY	NR
3	11	104060		BOILER	NR
3	12	143005	SPG10	PIPE, PRESSURE SWITCH TP 5x11 (CASER/15/NL C4N)	MT
3	13	209025		RINSE AID DISPENSING PUMP	NR
3	14	121017		FILTER, RINSE-AID SUCT.	NR
3	15	H.775601		PIPE 4x6 CRISTAL BLUE PVC	MT
3	16	142053	REB142053	OVERFLOW, DRAIN 50/503 NM	NR
3	17	121078	REB121078	FILTER, DRAIN PUMP 463/503	NR
3	18	303019	REB303019	RING, ELASTIC FOR DRAIN PUMP FILTER 503	NR
3	19	136023	REB136023	DRAIN, BENT 50/503	NR
3	20	437063	CGG42	GASKET, DRAIN 50	NR
3	21	417081	CDP2	NUT, PLASTIC 1'- 1/4	NR
3	22	127050	REB127050	SLEEVE, RIGIDO ASP.P.S. 500/503	NR
3	23	127044	REB127044	SLEEVE, SUCT.DRAIN PUMP 353/403	NR
3	24	468152	REB468152	UNION, DRAIN CLEAN.3	NR
3	25	127037	REB127037	SLEEVE, DRAIN CLEAN.3	NR
3	26	144003	REB144003	RELIEF VALVE, DRAIN PUMP	NR
3	27	423024	REB423024	CLAMP, PLAST.FOR DRAIN PUMP PIPE CLAMP.	NR
3	28	143178	REB143178	PIPE, DRAIN - 50	NR
3	29	130105	REB130105	DRAIN PUMP (50/503/460/BD18)	NR
3	30	130150		DRAIN PUMP (50/503/460/BD18) 60HZ	NR
3	31	143189	REB143189	TUBE, DRAIN SFIATO DVGW CLEAN.3	NR
3	32	144011	REB144011	CHECK VALVE (EB)	NR
3	33	143004	REB143004	PIPE, PRESSURE SWITCH TP 10X17 (CASER/15NL C4N)	MT
4	1	984005	REB984005	GRUPPO CAMPANA PRESSOST.35/40	NR
4	2	423011	REB423011	CLAMP, SPRING-TYPE	NR
4	3	468029	REB468029	UNION, PRESSURE SWITCH BELL	NR
4	4	456020	REB456020	O-ring 3050 R495	NR
4	5	437019	REB437019	GASKET, CAMP. PRESS. V.M.	NR
4	6	107005	REB107005	PRESSURE SWITCH BELL EB 35/40	NR
4	7	142052	REB142052	OVERFLOW 50/503 NM	NR
4	8	136023	REB136023	DRAIN, BENT 50/503	NR
4	9	437063	CGG42	GASKET, DRAIN 50	NR
4	10	417081	CDP2	NUT, PLASTIC 1'- 1/4	NR
4	11	143178	REB143178	PIPE, DRAIN - 50	NR
4	12	121052	DAF136U	FILTER, PUMP - 22/44	NR

4	13	478059		SUPPORT, FILTER GREY+EXTENSION	NR
4	14	437015	REB437015	GASKET, PUMP FILTER S651-	NR
4	15	127041	REB127041	SLEEVE, SUCTION 463/503	NR
4	16	929169	RAT32	TUBO DI CARICO DEL TERMOPLASTICO	NR
4	17	437041	REB437041	GASKET 3/4 GAS LOAD	NR
4	18	240016	DEV3S16	LOADING S.VALVE 1-WAY 3/4 230V PART.16L	NR
4	19	143246		PIPE, -)SOFTENER	NR
4	21	999288		GRUPPO VALVOLA DEVIATR.CON RIDUTTORE	NR
4	22	143265		NOT IN PRICE-LIST	
4	23	143004	REB143004	PIPE, PRESSURE SWITCH TP 10X17 (CASER/15NL C4N)	MT
4	24	117007		WATER SOFTNER	NR
4	25	406998	REB406998	SALT CONTAINER NM	NR
4	26	480005	REB480005	SALT CONTAINER SCREW CAP	NR
4	27	456052	REB456052	O-ring 144	NR
4	28	429011	REB429011	RING NUT, SALT CONT.	NR
4	29	437034	REB437034	GASKET, D68D81S3 RUBBER	NR
5	1	303029	REB303029	RING, DRIPPING 46/50..	NR
5	2	437064	REB437064	GASKET, MANIFOLD, CENTR.UPP.50	NR
5	3	143240		PIPE, H-)COND.UPPER	NR
5	4	115113		PIPE, WASHINGEST.PL. + SLEV.+115111 SP405	NR
5	5	127036	REB127036	SLEEVE, LOW.WASH.COND. 50/f	NR
5	6	121139		FILTER	NR
5	7	121138		FITER	NR
5	8	408006	REB408006	STUD, FOR TANK FILTER - GREY	NR
6	1	327006	REB327006	PIN, LOW.WASH/RINSE 21/453	NR
6	2	990108		GRUPPO LAV.RISC.SUPER.50/UNIVERSALE	NR
6	3	106007		RINSE ARM, RH S651-850	NR
6	4	106006	REB106006	WASH.ARM,LH+ SCREW S651-850-503	NR
6	5	106005		RINSE ARM, LH S651-850	NR
6	6	140007	REB140007	SPRAY S621-3-31-	NR
6	7	429006	REB429006	RING NUT, RINSE S621-3-31-3	NR
6	8	429007	REB429007	RING NUT, WASHING S621-3-31-3	NR
6	9	140008	REB140008	SPRAY S621-3-31-	NR
6	10	106008	REB106008	WASH.ARM, RH+ SCREW S651-850-503	NR
6	11	447128	REB447128	KNOB, FIX, WASH. GREY	NR
6	12	454002	REB454002	PAWL 21/31	NR
6	13	437100		PACKING	NR
6	14	129039	REB129039	WASH-RINSE-ARM ASSB., LOWER 353/403RAL7012	NR
6	15	80959		RINSE ASSEMBLY	NR
6	16	926132		CAP, PLASTIC FOR WASH. ARM (DWT312)	NR
6	17	80623		RING 22X9,5X1	NR
6	18	80697		NUT	NR
6	19	69632		ARM BODY	NR
6	20	456072		O-RING 6X2	NR
6	21	140025		SPRAY D.2,5	NR
6	22	80345		NEW WASH BOSS ASSEMBLY	NR
6	23	303032		RING, INOX WASH. SEAL X5	NR
6	24	417111		BUSHING, WASH-ARM X5	NR
6	25	308031		RING NUT, WASH.BUSH X5	NR
6	26	325094		WASH COMB PIN SHAFT	NR
6	27	199058		DISC, WATER FLOW REDUCER PLAST.E55	NR
6	28	115075	REB115075	CENTR.PIPELINE - LOWER 50 (H=108)	NR
6	29	437014	REB437014	GASKET, LOWER MANIFOLD S850	NR
6	33	456060		O-ring 2025(CGR2025)	NR
6	34	456019	REB456019	O-ring 2037	NR

6	35	80700		PERNO RISCIAQUO D14 M10X1	NR
7	1	130109	REB130109	PUMP HP 0.80 220/240-50 - 50/500	NR
7	2	130119		PUMP B237 HP 0.80 220/60 50	NR
7	3	314001	REB314001	BEARING 6201/2Z	NR
7	4	206003		CONDENSER - 12.5 mF	NR
7	6	315017	REB315017	FLANGE, W/COVERING DUCT B237	NR
7	7	437049	REB437049	GASKET, PUMP 2277	NR
7	8	141002	REB141002	SEAL, MECH., REVOLVING D 12	NR
7	9	124065		WASH PUMP IMPELLER FOR B237 FOR DISH- WASHER	NR
7	11	116021	REB116021	PUMP SHELL, B237	NR
7	12	315022	REB315022	FLANGE, PUMP LGB T-173/174	NR
7	13	456031	REB456031	O-ring T30-1297 D.2	NR
7	14	141007	REB141007	SEAL, MECH..D.26x13x5,5 BR.	NR
7	15	124031	RAG291	IMPELLER, CLOSED 50HZ D.104 T170	NR
7	16	124053		IMPELLER, CLOSED 60HZ T173-175	NR
7	17	116019	REB116019	PUMP SHELL, 50 T-173	NR