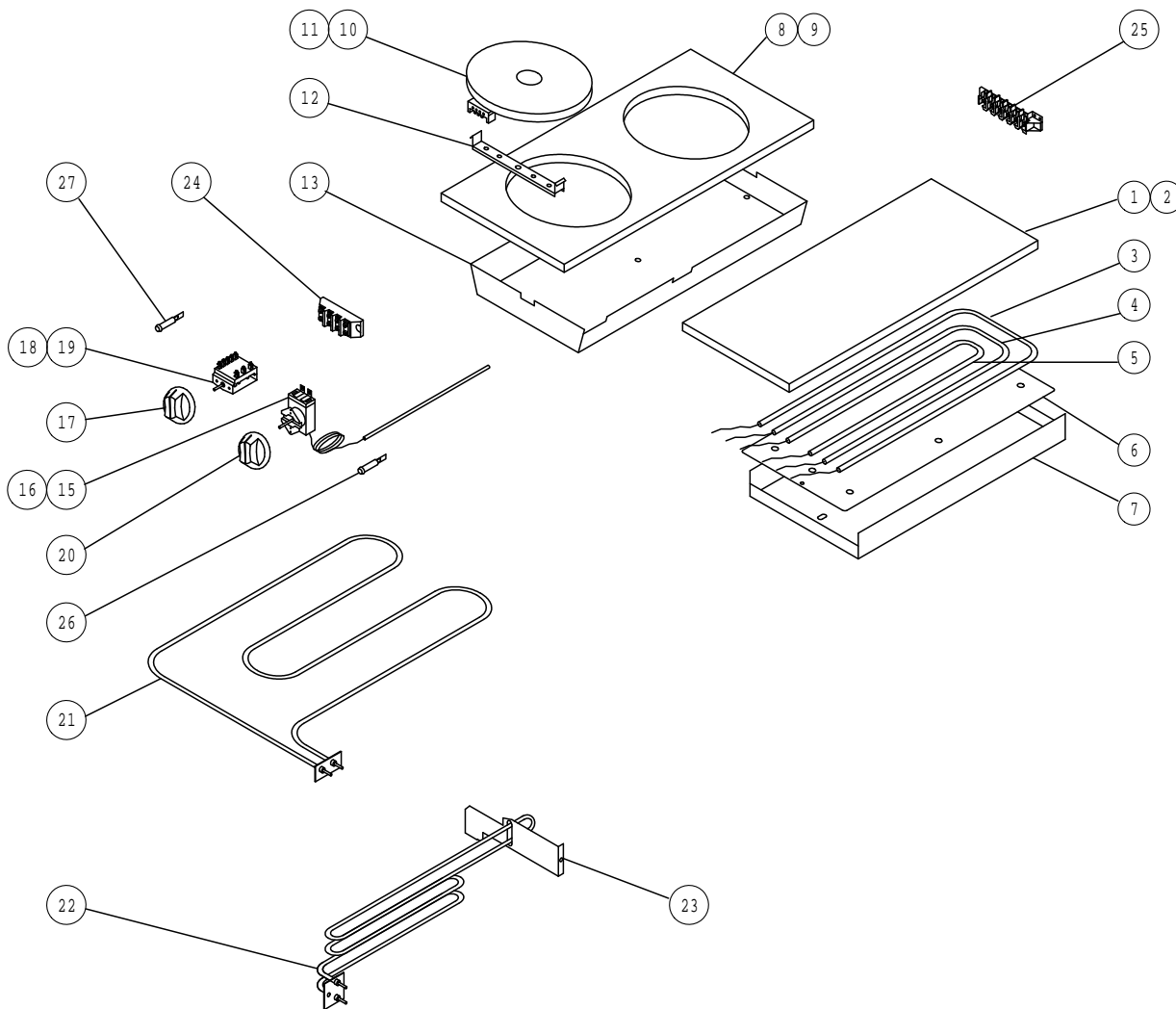
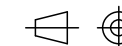


IF IN DOUBT ASK!!

DO NOT SCALE !!

First Angle Projection



E2161 CONTROLS

Item	Spares No.	Description
1	731400010	Rectangular Hotplate Assembly
2	731400110	Rectangular Hotplate Casting
3	731400040	Element Outer
4	731400030	Element Intermediate
5	731400020	Element Inner
6	730960150	Element Clamp Plate
7	730964060	Hotplate Lagging Box
8	731400100	Round Hotplate Assembly
9	730960101	Round Hotplate Casting
10	730960110	Hotplate Assembly
11	731400050	Hotplate
12	730960115	Fixing Bracket
13	730964160	Cover Plate
14	730960116	Seal for Round Hotplate (not shown)
15	731402080	Oven Thermostat
16	731000004	Oven Thermostat c/w Knob
17	731000003	Oven Thermostat Knob Only
18	731400070	6 Position Switch
19	731000005	6 Position Switch c/w Knob
20	731000002	6 Position Switch Knob Only
21	731402050	Oven Top Element
22	731402060	Oven Bottom Element
23	730962062	Element Support Bracket
24	730960112	Terminal Block Porcelain
25	731000006	Terminal Block Incoming
26	731000007	Neon Amber
27	731000008	Neon Red

All dimensions in millimetres, Tolerance- Linear $\pm 0.5\text{mm}$ Angular $\pm 0.5^\circ$ (or as stated). All sharp edges to be removed from sheet metal parts.



CLEARED FOR PRODUCTION

Issue	Mod No.	Alteration	Zone	Drawn by	Date
A	1004	ISSUED FOR PRODUCTION		I. HAMILTON	05-03-04

This part is common to the following units

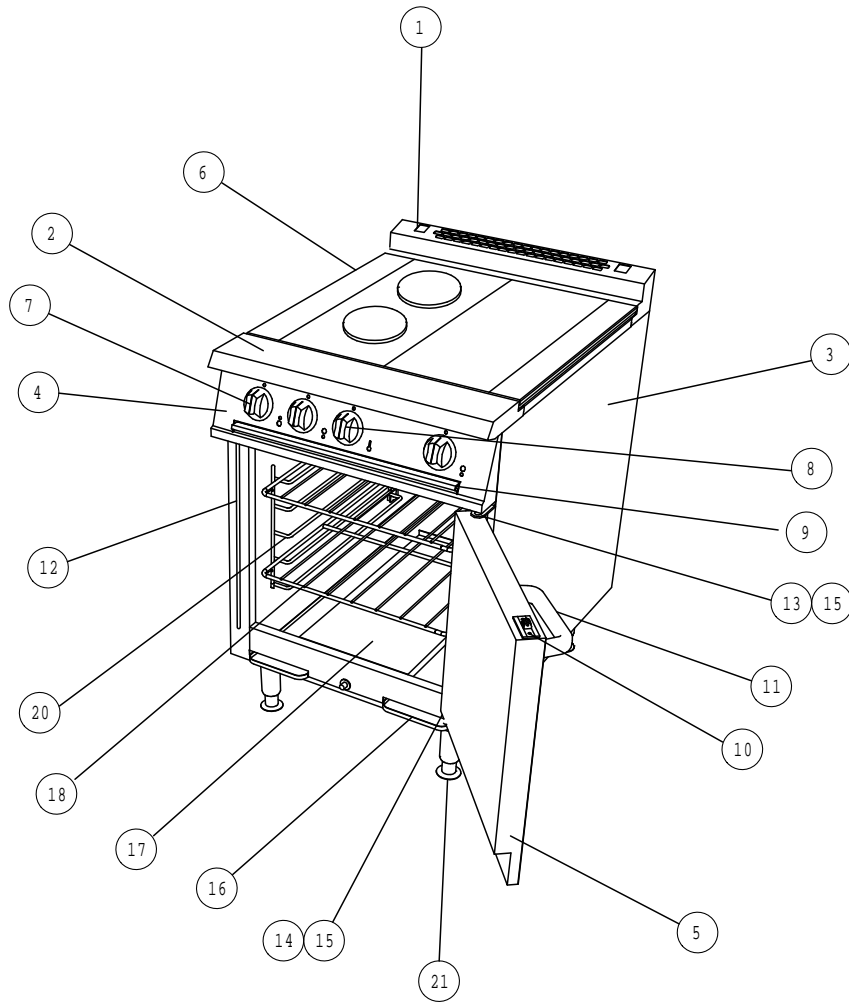
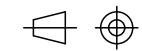
© No reproduction or publication of this drawing may be made and no article may be manufactured or assembled in accordance with this drawing without prior written consent. This prohibition is a term of any contract relating to this drawing. Rights reserved under the Copyright Act 1956 as amended by the Design Copyright Act 1968.

Drawn	I. HAMILTON	Product	E2161/2161EU RANGE	
Date	19-01-04	Title	CONTROLS SPARES INFO	
Scale		Matl.	Drawing Number	Issue
No. off		Finish	AA42408	A
Bin No.		Kraus No.	T111409	

IF IN DOUBT ASK!!

DO NOT SCALE !!

First Angle Projection



E2161 FITMENTS

Part No	Spares No	Description
1	535480070	Rear hob rail
2	535480071	Front hob rail
3	535200000	Outer Side Panel LH
	535200001	Outer Side Panel RH
4	731040000	Control panel
5	535241002	Door Assy c/w Hinges
6	730963121	Side Drip Shed
7	731000002	Control Knob (hob)
8	731000003	Control Knob (Oven)
9	535480073	Hob Drip Tray
10	535480054	Door Catch
11	535480055	Door Handle
12	535241010	Door Seal
13	535200008	Top door hinge
14	535200009	Bottom door hinge
15	535480077	Door hinge bush
16	731402240	Oven Drip tray
17	731402250	Oven bottom plate
18	731402230	Oven Shelf
19	535200012	Oven Shelf hanger
20	535480096	Door Latch Keeper (Not Shown)
21	730963050	Adjustable Leg

All dimensions in millimetres, Tolerance- Linear $\pm 0.5\text{mm}$ Angular $\pm 0.5^\circ$ (or as stated). All sharp edges to be removed from sheet metal parts.

CLEARED FOR PRODUCTION



Drawn	I. HAMILTON	Product	E2161EU RANGE	
Date	20-09-10	Title	E2161EU FITMENTS SPARES INFO	
Scale		Matl.	_____	Drawing Number
		No. off	_____	Issue
		Bin No.	_____	AA47915
		Kraus No.	_____	

Issue	Mod No.	Alteration	Zone	Drawn by	Date

© No reproduction or publication of this drawing may be made and no article may be manufactured or assembled in accordance with this drawing without prior written consent. This prohibition is a term of any contract relating to this drawing. Rights reserved under the Copyright Act 1956 as amended by the Design Copyright Act 1968.

This part is common to the following units