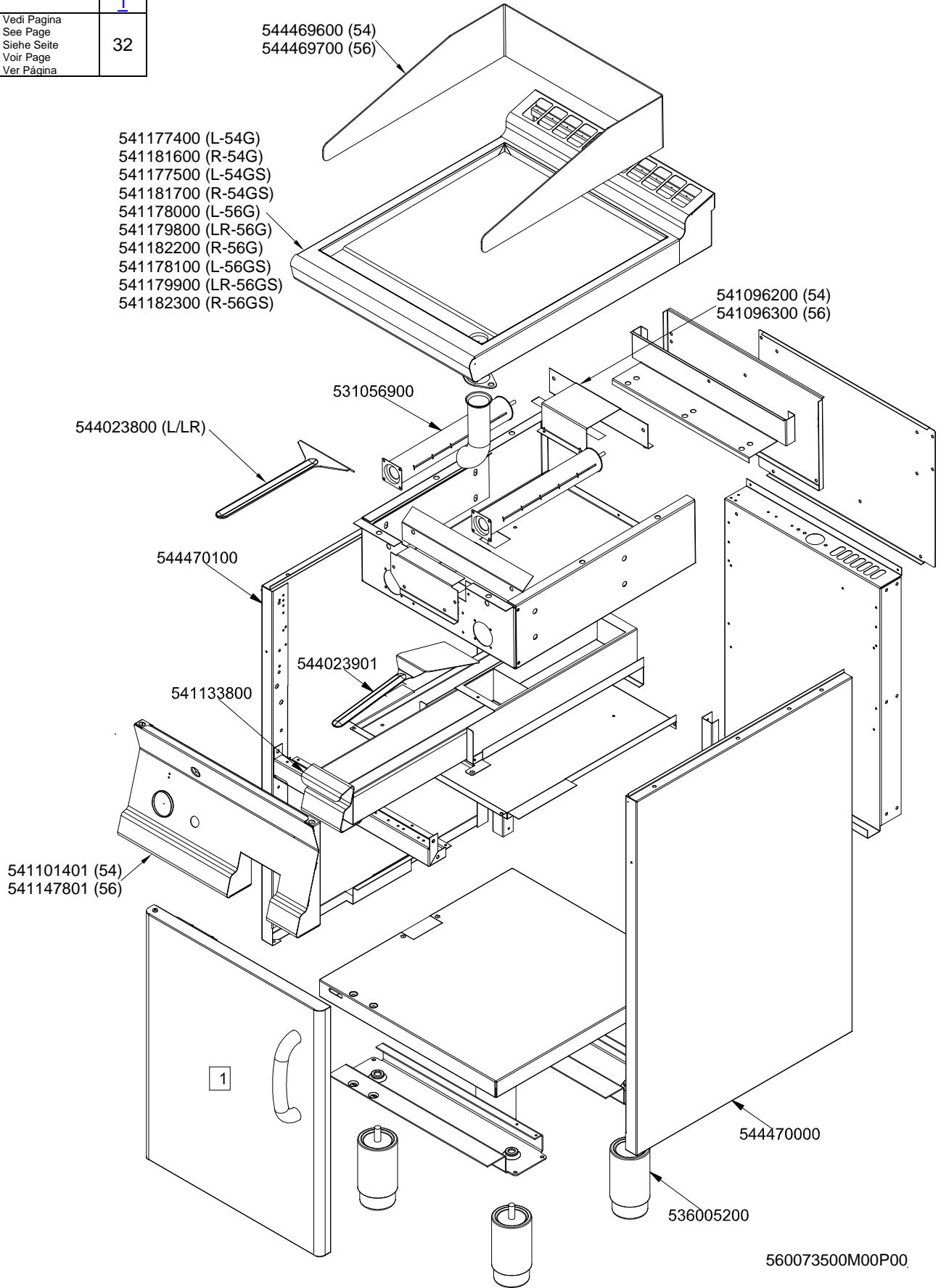


PLUSNACK 55

GAS/GAS/GAS/GAZ

FT..54G FT..56G

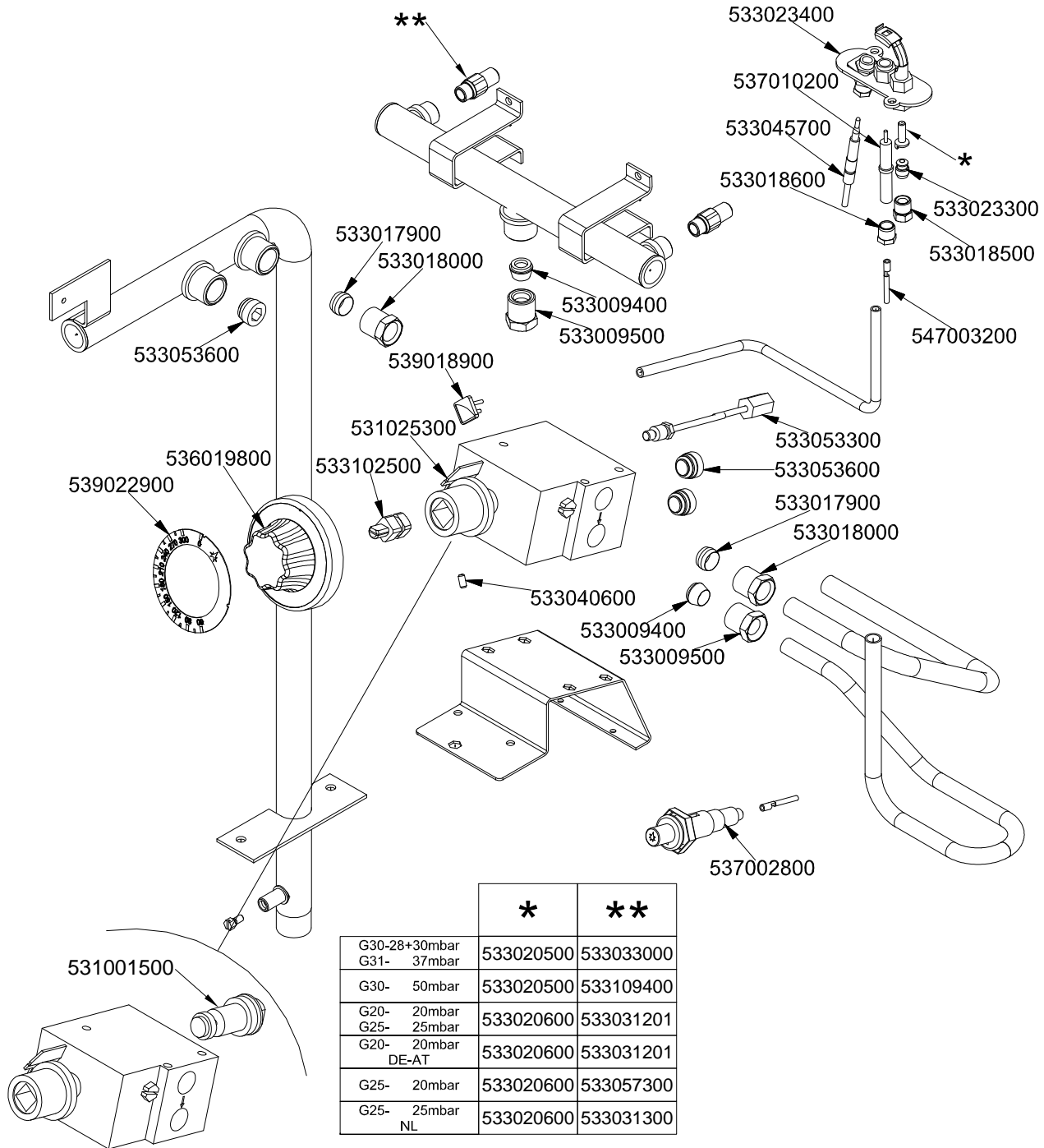
	1
Vedi Pagina See Page Siehe Seite Voir Page Ver Página	32



PLUSNACK 55

GAS/GAS/GAS/GAZ

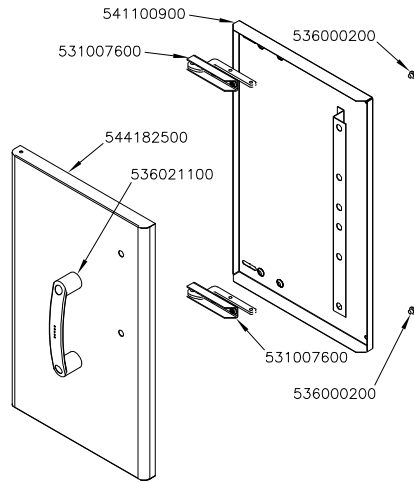
FT..54G FT..56G



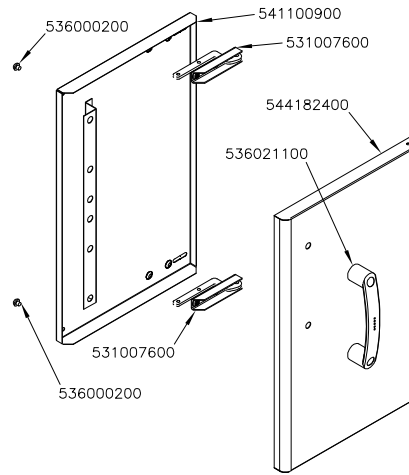
	*	**
G30-28+30mbar G31- 37mbar	533020500	533033000
G30- 50mbar	533020500	533109400
G20- 20mbar G25- 25mbar	533020600	533031201
G20- 20mbar DE-AT	533020600	533031201
G25- 20mbar	533020600	533057300
G25- 25mbar NL	533020600	533031300

560073600M00P00.

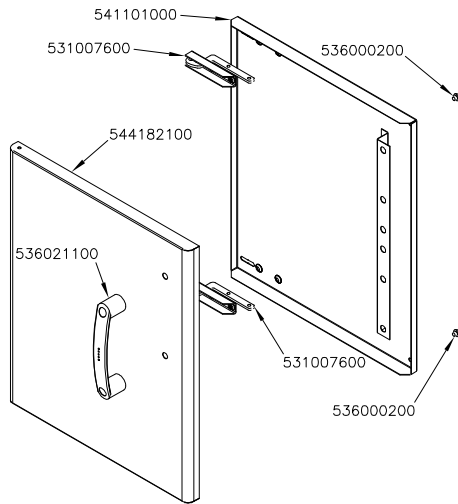
PORTE / DOORS / FLÜGELÜREN / PORTES



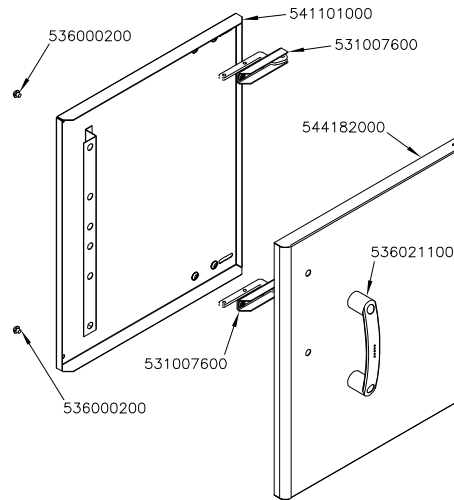
P-73/93 SX



P-73/93 DX

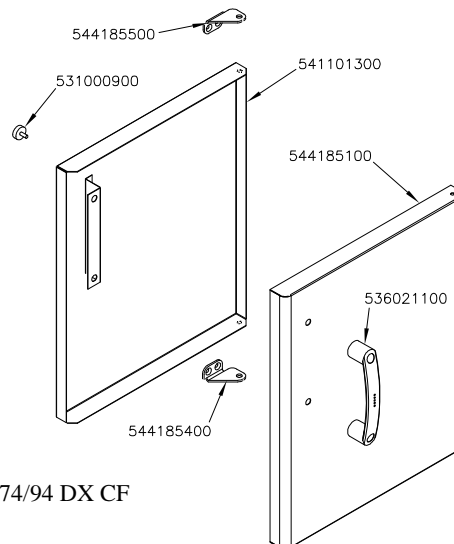


P-74/94 SX



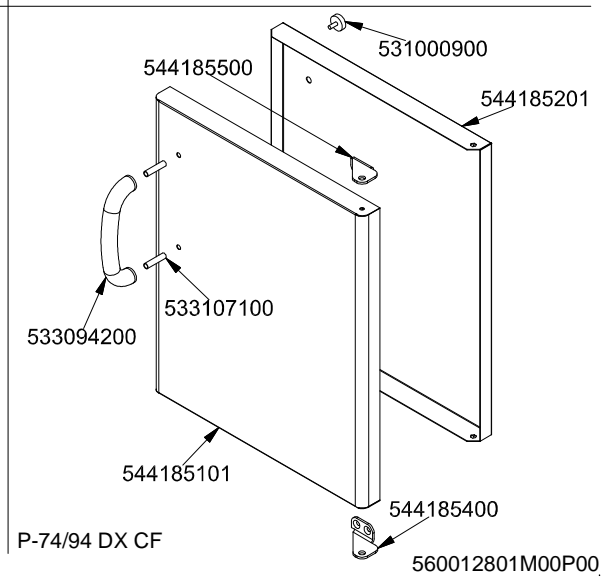
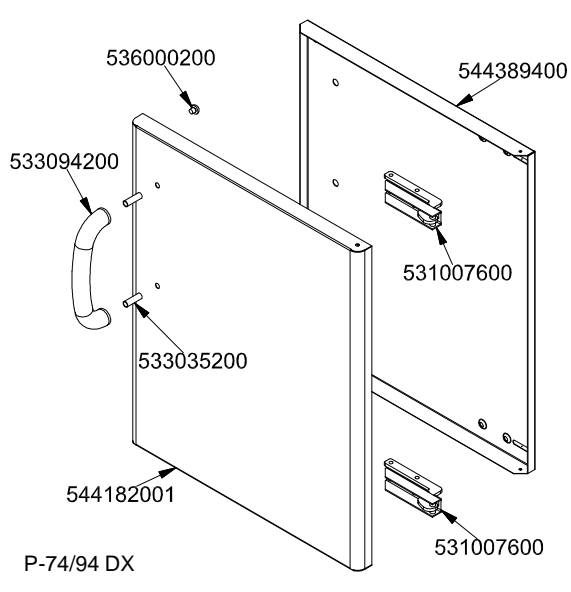
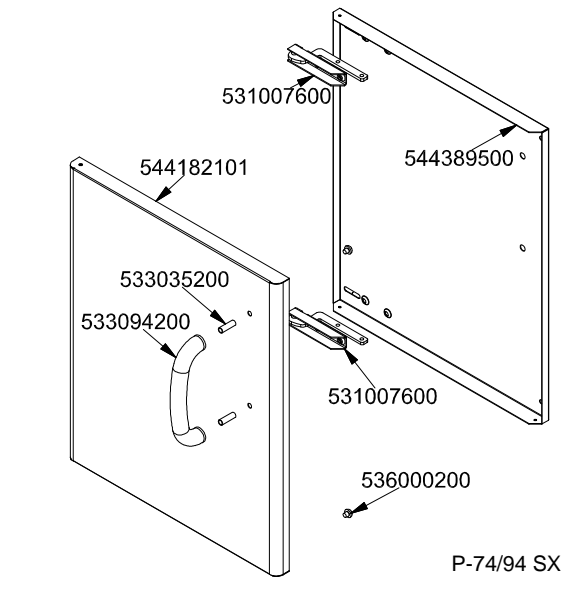
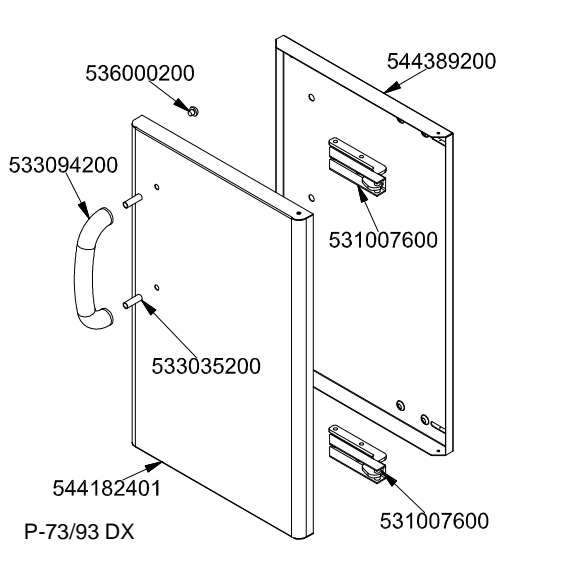
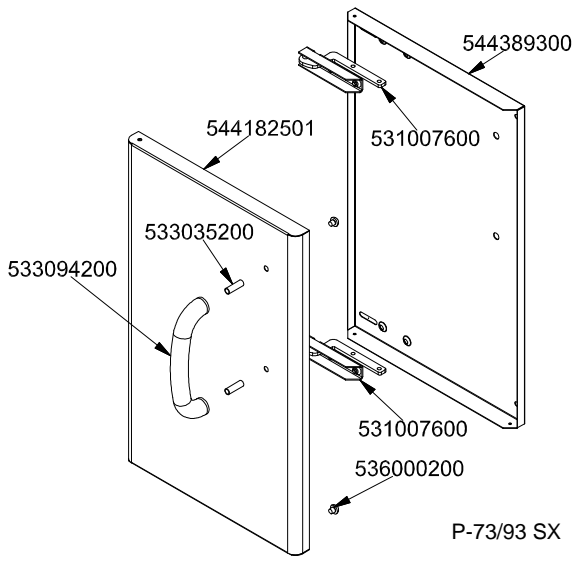
P-74/94 DX

560012800M00P00



P-74/94 DX CF

PORTE / DOORS / FLÜGELÜREN / PORTES



Page	Pos	Code	Description
001		541181600	UPPER PLATE FTR -5 4G
001		531056900	BURNER TUB.02,5 KW FT 55
001		544470100	LHD SIDE OF 55M
001		544023901	SPATTLE FOR FRY-TOP
001		541133800	DRIP TRAY FT-55
001		544470000	RHD SIDE OF 55M
001		536005200	INOX LEG 2" 120-180 M10
002		533023400	"TARGET" PILOT + NIPPLE TC
002		537010200	ROUND PLUG §2,4 - SHORT ELECTRODE
002		533045700	THERMOCOUPLE M9*1 500
002		533018600	PLUG FITTING
002		533023300	BICONE §6 ("TARGET" PILOT)
002		533018500	FITTING FOR BICONE D.6 M10*1
002		547003200	HIGH-VOLTAGE CABLE TUBE.§2 L=500
002		533017900	BICONE D.12
002		533018000	ELBOW FOR BICONE D.12 3/8 RS L20
002		533009400	BICONE 10S
002		533009500	NIPPLE FOR BICONE 10S
002		539018900	INDEX FOR KNOB
002		531025300	VALVE EUROSIT FT 100-340°C
002		533102500	
002		533053600	EUROSIT VALVE PLUG
002		536019800	BLACK KNOB §70 PIN §8*6,5
002		539022900	ADHESIVE GRADUATED DISC FOR KNOB
002		533053300	THERMOCOUPLE EXTENSION M9*1
002		533040600	HEADLESS SCREW M4*8
002		537002800	PIEZOELECTRIC IGNITION M18
002		531001500	MAGNET FOR EUROSIT VALVE
002		533020500	NOZZLE 0.140 §19
002		533033000	NOZZLE §075 CH12X30,0
002		533109400	NOZZLE CH12X30,0 Ø065
002		533020600	NOZZLE 0.140 §27
002		533031201	
002		533057300	NOZZLE §125 CH12*30 M-FT6
002		533031300	NOZZLE §120 CH12*30,0
003		541100900	INNER DOOR 73
003		531007600	DOOR HINGE
003		536000200	D.12 H.4 BUMPER
003		544182500	RIGHT DOOR 73
003		536021100	BLACK HANDLE 70LINE + 2RED POINTS
003		541101000	INNER DOOR 74
003		544185100	RIGHT DOOR 74
003		531000900	MAGNET §22 KG.3 WITH DISK
003		544182400	RIGHT DOOR 73
003		544182100	LEFT DOOR 74
003		544182000	RIGHT DOOR 74
003		544185500	UPPER DOOR HINGE FOR COMPARTME CF70
003		541101300	RIGHT INNER DOOR 74 CF
003		544185400	LOWER DOOR HINGE FOR COMPARTME CF70
004		544389300	
004		531007600	DOOR HINGE

Page	Pos	Code	Description
004		544182501	LEFT DOOR 73
004		533035200	
004		533094200	S/S HANDLE FOR 70/90 SERIES
004		536000200	D.12 H.4 BUMPER
004		544389200	
004		544182401	RIGHT DOOR 73
004		544389500	INNER-DOOR OF LHD 74
004		544182101	LEFT DOOR 74
004		544389400	
004		544182001	RIGHT DOOR 74
004		544185500	UPPER DOOR HINGE FOR COMPARTME CF70
004		531000900	MAGNET §22 KG.3 WITH DISK
004		544185201	
004		533107100	
004		544185101	RIGHT DOOR 74 CF
004		544185400	LOWER DOOR HINGE FOR COMPARTME CF70