



VM 900

LIST OF THE EXPLODED VIEWS

From s/n. 297566 up Today



SHELL ASSY

COOLING SYSTEM

HYDRAULIC CIRCUIT

SPRAYER PUMP

ELECTRIC PARTS

From s/n.141196 Till s/n. 297565



SHELL ASSY

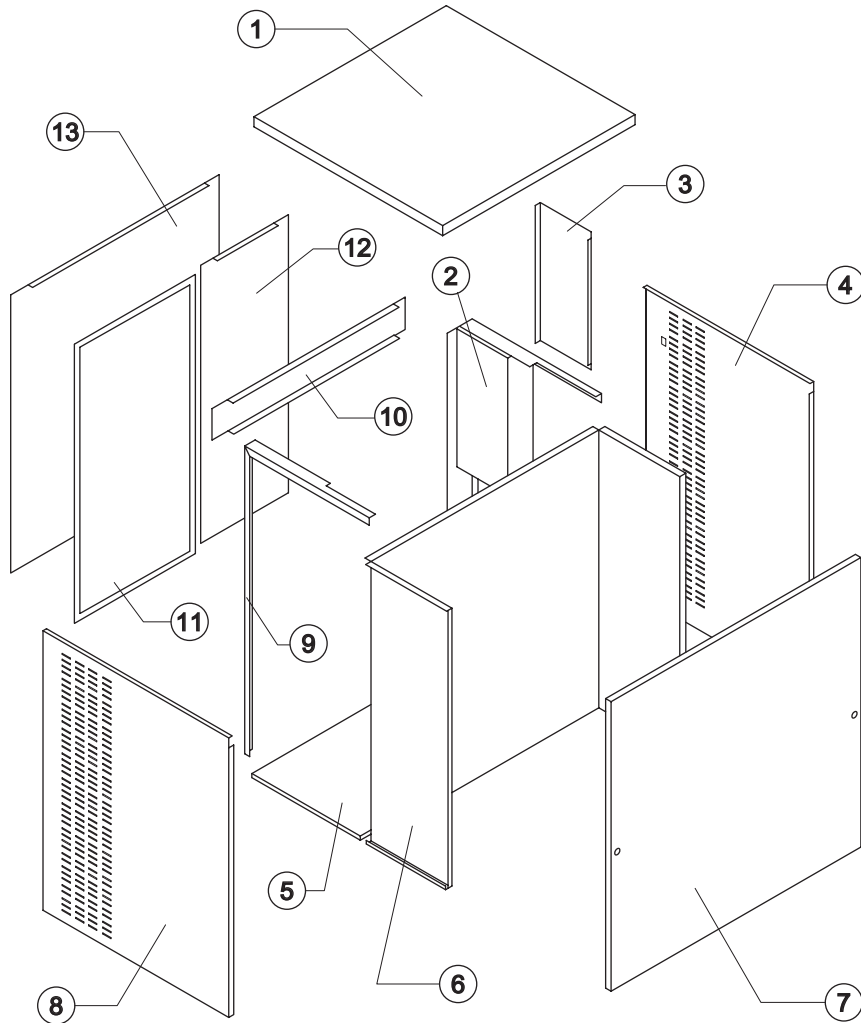
COOLING SYSTEM

HYDRAULIC CIRCUIT

SPRAYER PUMP

ELECTRIC PARTS

Rev. 5 - 29/05/2006



Rev. 5 - 29/05/2006

Common Parts

Ref.	Spare Description	Code
1	Top Assembly	C22813
2	Right Angle Bar	22814
3	Electrical Box Cover	21323
4	Right Side Panel	22408
5	Base Plate	22812
6	Evaporator Chamber	22819
7	Front Panel Assembly	C22816
8	Left Side Panel	22822
9	Left Angle Bar	22820
10	Rear Cross Bar	22817

Parts for Air-Cooled Version Only

Ref.	Spare Description	Code
11	Filter	18166
12	Rear Panel	21287

Parts for Water-Cooled Version Only

Ref.	Spare Description	Code
13	Rear Panel	21285



Common Parts

Ref.	Spare Description	Code
2	Evaporator (Back)	D10227
3	Evaporatore (Front)	D10228
4	Horizontally Hinged Panel	22608
5	Spring	20464
7	Compressor	See Table -
10	Vacuum-Charge Valve Body	14007
11	Vacuum-Charge Valve Device	14005
12	Vacuum-Charge Valve Plug	14006
13	Hot Gas Valve Coil	23091
14	Hot Gas Valve Body	20409

Parts for Air-Cooled Version Only

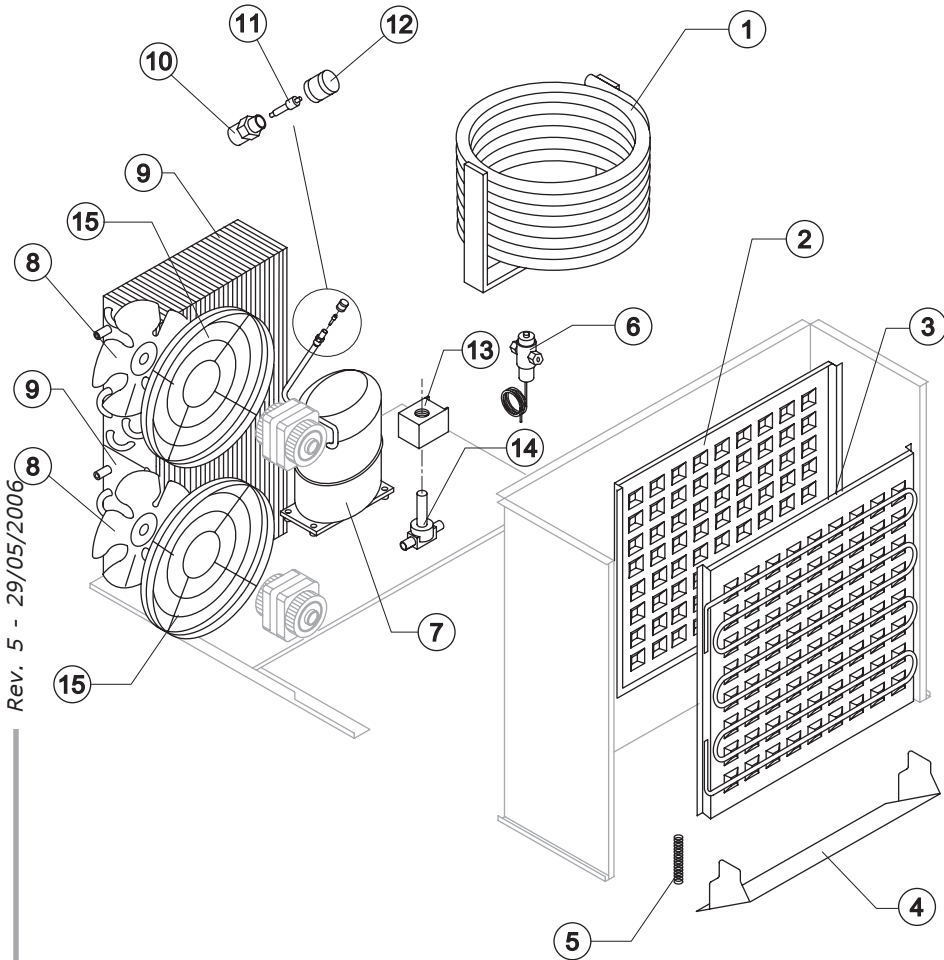
Ref.	Spare Description	Code
8	Sucking Fan	20407
9	Air Condenser	20838
15	Fan Motor Grid	12056

Parts for Water-Cooled Version Only

Ref.	Spare Description	Code
1	Water Condenser	14285
6	Pressostatic Valve	20149

Ref. 7 - Compressor

Tension	Code
220/240V 50 Hz	23647
220/230V 60 Hz	23651



Rev. 5 - 29/05/2006

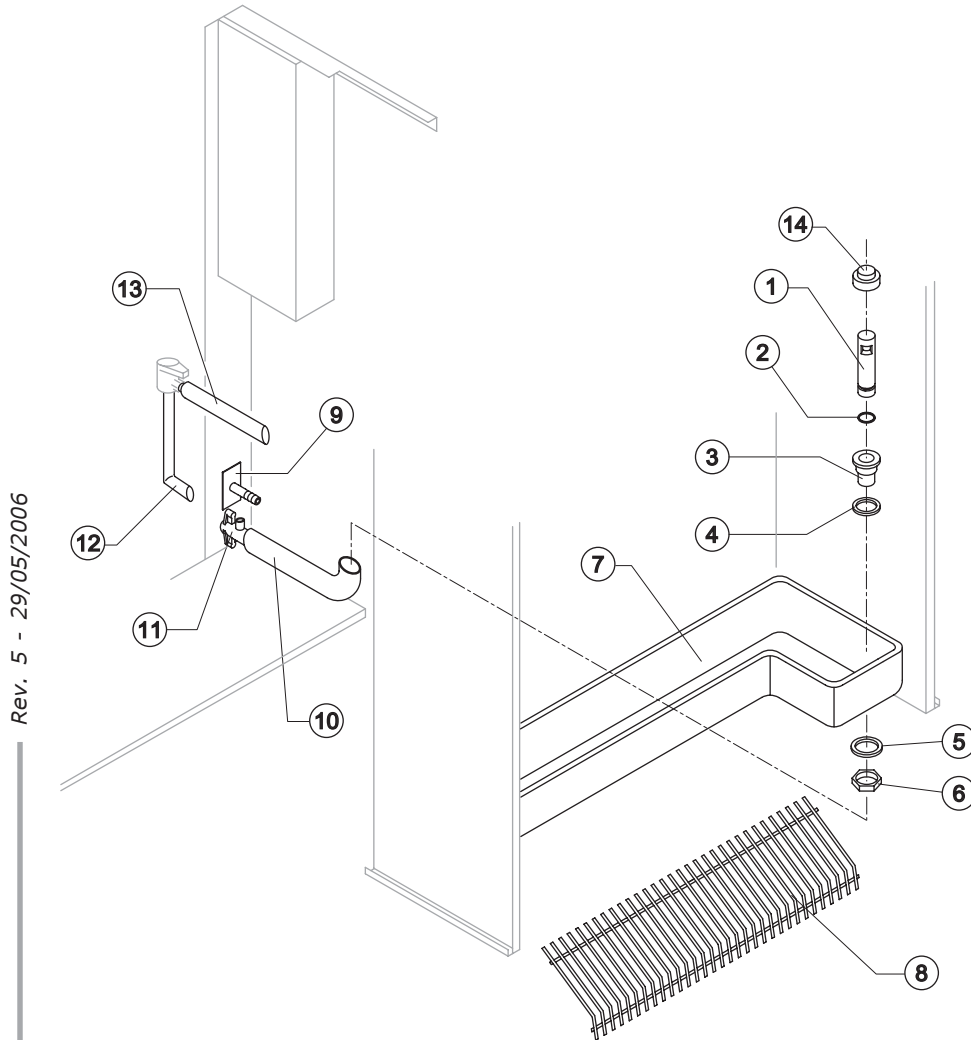


Common Parts

Ref.	Spare Description	Code
1	Overflow Pipe	10399
2	OR Gasket for Overflow Pipe	20233
3	Overflow Pipe Nipple	10471
4	Silicone Gasket	13006
5	Semirigid Polyethylene Gasket	13007
6	Bin Discharge Nut	10096
7	Water Basin	10395
8	Ice Cubes Slide	D12057
10	Overflow Pipe Nipple	13120
11	Drain Nipple	10431
12	Discharge Valve Connection Pipe - Discharge	13040
13	Discharge Valve Connection Pipe ("T"Shaped)	13102
14	Overflow Cap	10305

Parts for Water-Cooled Version Only

Ref.	Spare Description	Code
9	Conenction with Plate	C20462



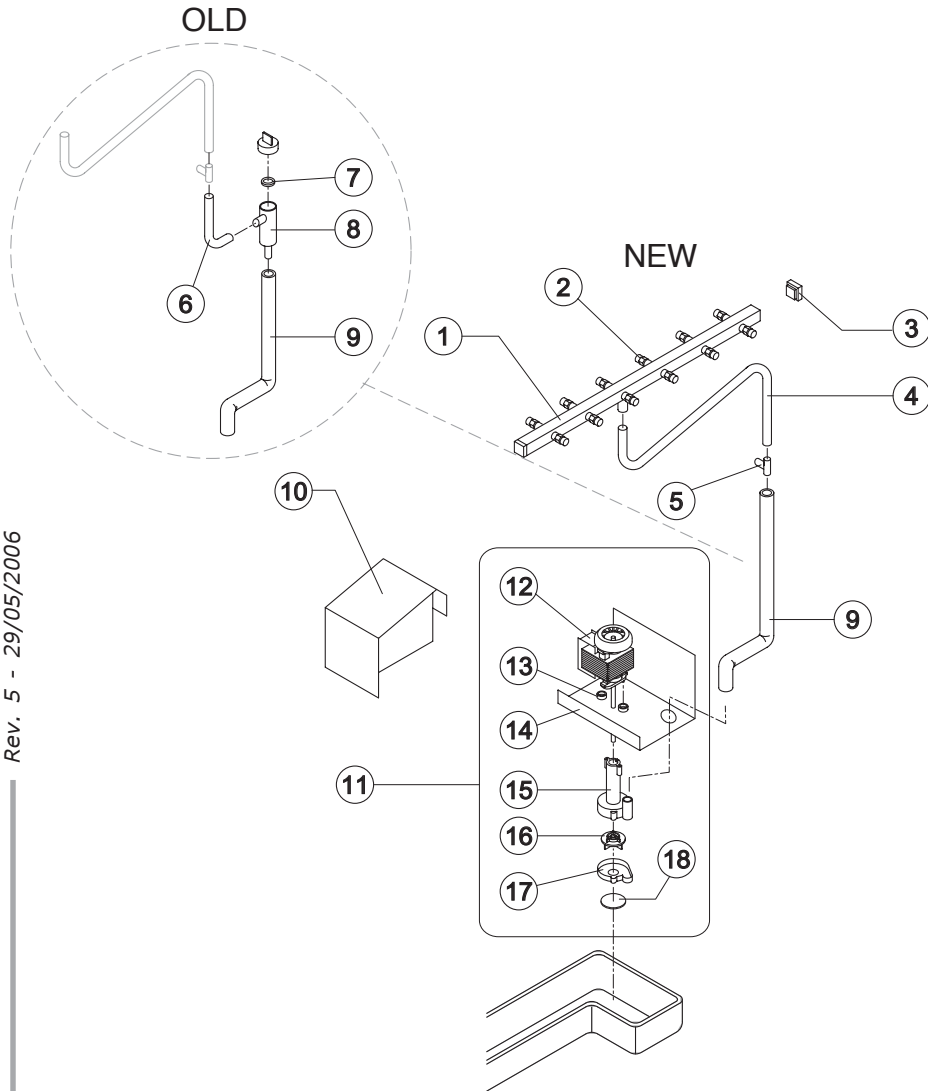
Rev. 5 - 29/05/2006



VM 900

From s/n. 297566 up Today

SPRAYER PUMP



Ref.	Spare Description	Code
1	Sprayers Bar Assembly	C20617
2	Sprayer	D20463
3	Sprayers Bar Plug	10012
4	Sprinkler Ba Connection Pipe ("T" Shaped)	13134
5	Plastic "T" ø20	10082
6	Sprayers Feeding Pipe	13005
7	Pump Filter Gasket	13080
8	Pump Filter	10139
9	"T" - Pump Connection Pipe	See Table
10	Protection Pump Panel	22804
11	Pump Assembly	See Table
12	Pump	See Table
13	Pump Motor Shim	20510
14	Pump Motor Support	22799
15	Pump Body	10065
16	Pump Impeller	See Table
17	Diffusor	10067
18	Pump Filter	20518

Ref. 9 - "T"-Pump Connection Pipe

Version	Code
NEW	13113
OLD	13157

Ref. 11 - Pump Assembly

Tension	Code
220/240V 50 Hz	C23626
220/230V 60 Hz	C23627

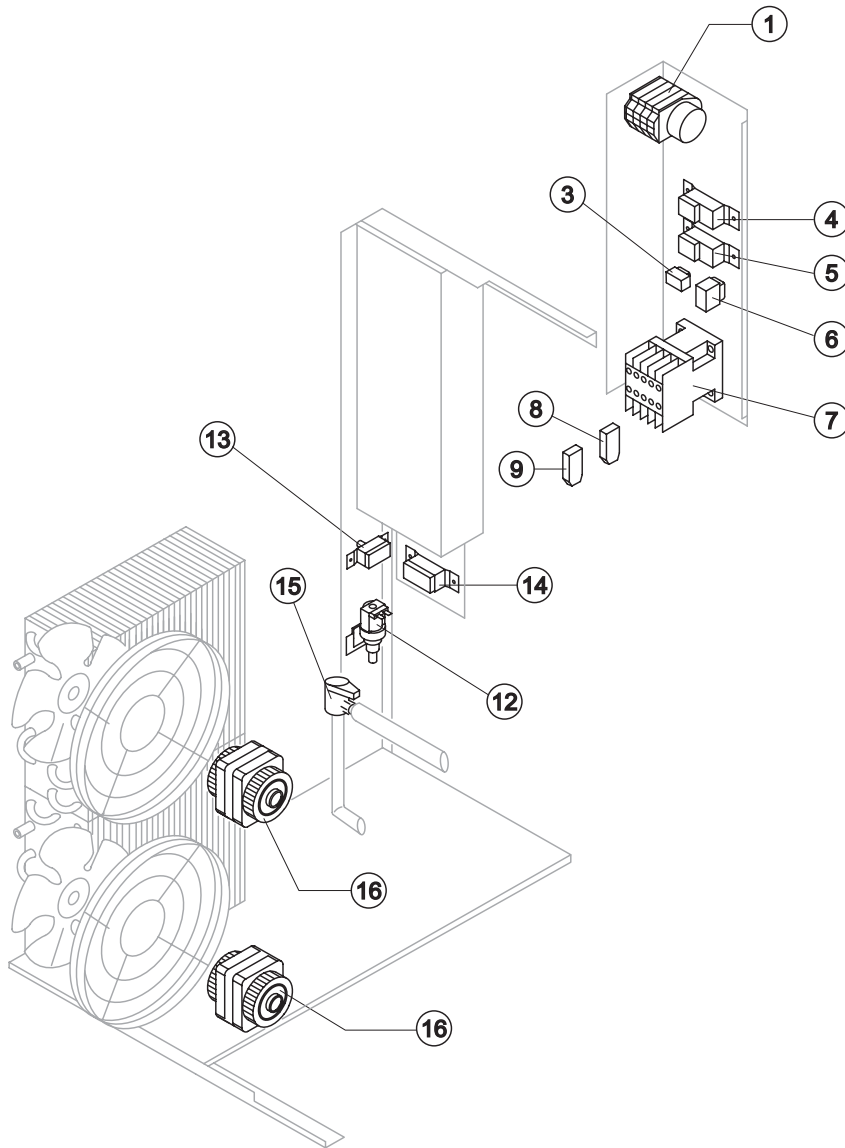
Ref. 12 - Pump

Tension	Code
220/240V 50 Hz	23600
220/230V 60 Hz	23601

Ref. 16 - Pump Impeller

Tension	Code
220/240V 50 Hz	10066
220/230V 60 Hz	10138

Rev. 5 - 29/05/2006



Common Parts

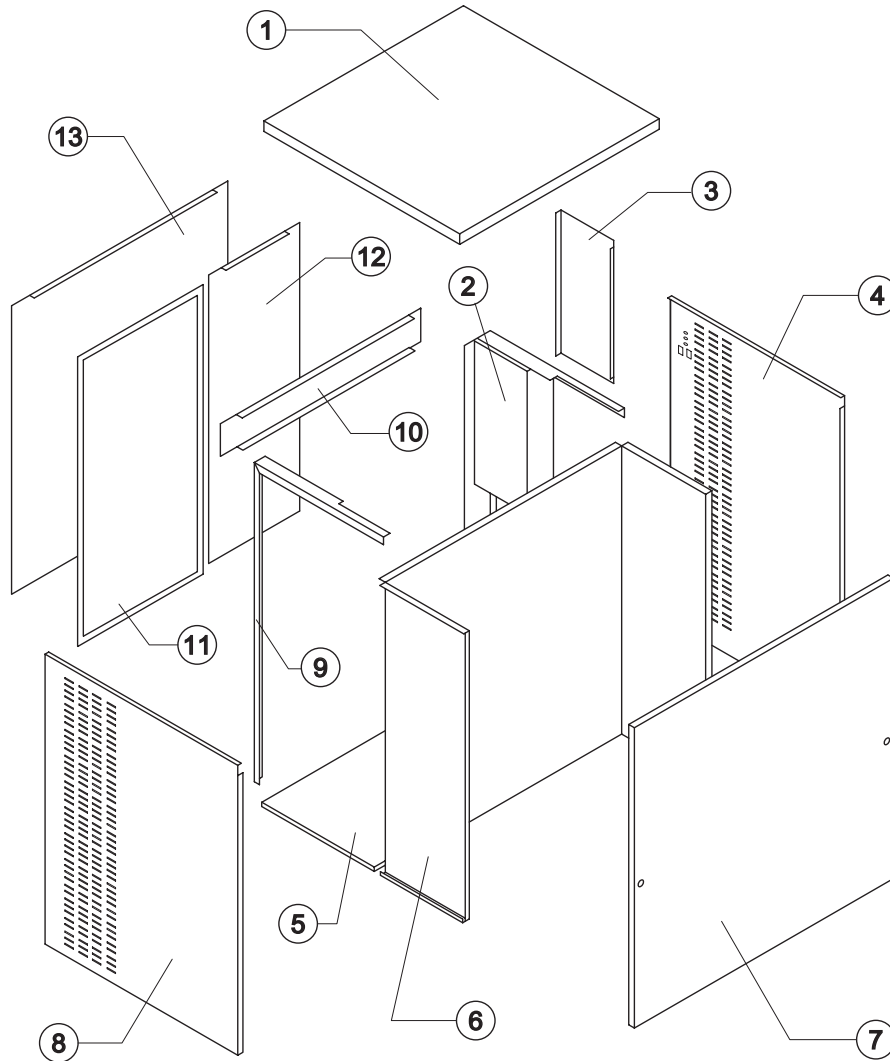
Ref.	Spare Description	Code
1	Timer	See Table
3	"Cleaning" Switch	23619
4	Bin Thermostat	R23005
5	Evaporator Thermostat	R23597
6	Green Light Switch (On-Off)	23327
7	Contactor	23147
12	1 Way- Water Inlet Valve	23623
13	Safety Pressure Switch	23342
15	Water Outlet Valve	23537

Parts for Air-Cooled Version Only

Ref.	Spare Description	Code
8	Anti Radio Interference Filter	Only 220V 50 Hz C23459
9	Anti Radio Interference Filter	Only 220V 50 Hz C23458
14	Condenser Pressure Switch	23175
16	Fan Motor	23121

Ref. 1 - Timer

Tension	Code
220/240V 50 Hz	23635
220/230V 60 Hz	23632



Rev. 5 - 29/05/2006

Common Parts

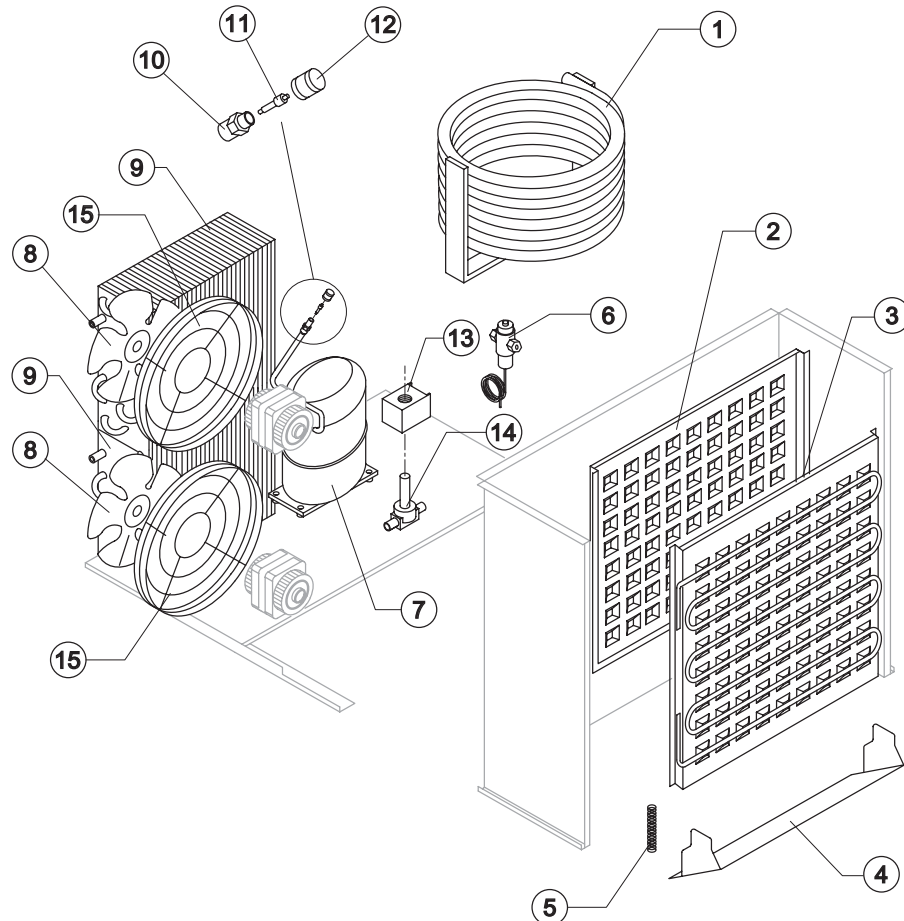
Ref.	Spare Description	Code
1	Top Assembly	C22813
2	Right Angle Bar	22814
3	Electrical Box Cover	21274
4	Fianco Destro	22821
5	Right Side Panel	22812
6	Evaporator Chamber	22819
7	Front Panel Assembly	C22816
8	Left Side Panel	22822
9	Left Angle Bar	22820
10	Rear Cross Bar	22817

Parts for Air-Cooled Version Only

Ref.	Spare Description	Code
11	Filter	18166
12	Rear Panel	21287

Parts for Water-Cooled Version Only

Ref.	Spare Description	Code
13	Rear Panel	21285



Common Parts

Ref.	Spare Description	Code
2	Evaporator (Back)	D10227
3	Evaporatore (Front)	D10228
4	Horizontally Hinged Panel	22608
5	Spring	20464
7	Compressor	See Table
10	Vacuum-Charge Valve Body	14007
11	Vacuum-Charge Valve Device	14005
12	Vacuum-Charge Valve Plug	14006
13	Hot Gas Valve Coil	23091
14	Hot Gas Valve Body	20409

Parts for Air-Cooled Version Only

Ref.	Spare Description	Code
8	Sucking Fan	20407
9	Air Condenser	20670
15	Fan Motor Grid	12056

Parts for Water-Cooled Version Only

Ref.	Spare Description	Code
1	Water Condenser	14285
6	Pressostatic Valve	20149

Ref. 7 - Compressor

Tension		Code
220/240V 50 Hz	Current Version	23647
220/240V 50 Hz	Till s/n. .173858	23489
220/230V 60 Hz	Current Version	23651
220/230V 60 Hz	Till s/n. 173885	23527



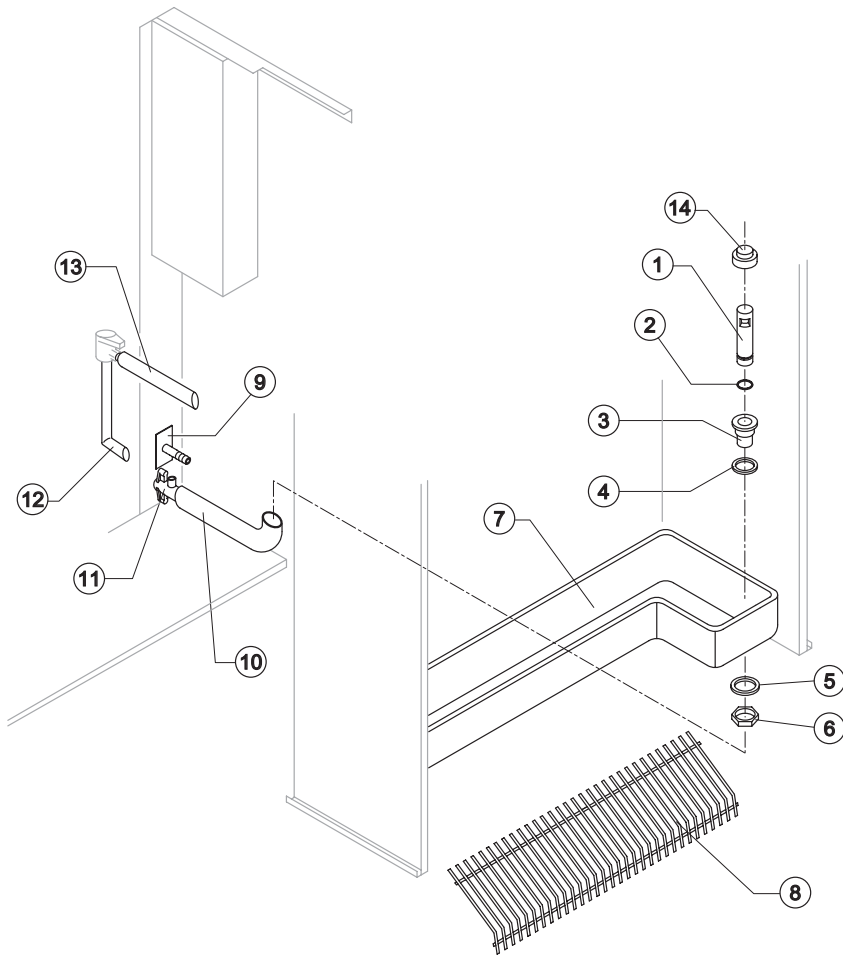
Common Parts

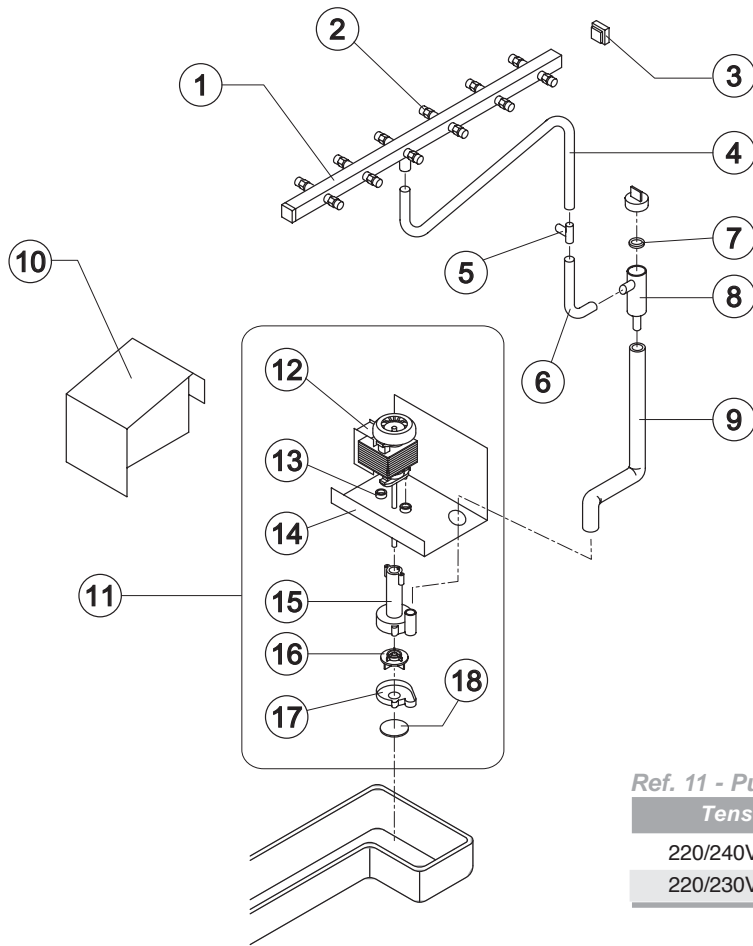
Ref.	Spare Description	Code
1	Overflow Pipe	10399
2	OR Gasket for Overflow Pipe	20233
3	Silicone Gasket	10241
4	Silicone Gasket	13006
5	Semirigid Polyethylene Gasket	13007
6	Bin Discharge Nut	10096
7	Water Basin	10395
8	Ice Cubes Slide	D12057
10	Overflow Pipe Nipple	13120
11	Drain Nipple	10431
12	Discharge Valve Connection Pipe - Discharge	13040
13	Discharge Valve Connection Pipe ("T"Shaped)	13102
14	Overflow Cap	10305

Parts for Water-Cooled Version Only

Ref.	Spare Description	Code
9	Conenction with Plate	C20462

Rev. 5 - 29/05/2006





Ref.	Spare Description	Code	
1	Sprayers Bar Assembly	C20617	
2	Sprayer	D20463	
3	Sprayers Bar Plug	10012	
4	Sprinkler Ba Connection Pipe ("T" Shaped)	13134	
5	Plastic "T" ø20	10082	
6	Sprayers Feeding Pipe	13005	
7	Pump Filter Gasket	13080	
8	Pump Filter	10139	
9	"T" - Pump Connection Pipe	13157	
10	Protection Pump Panel	22804	
11	Pump Assembly	See Table	-
12	Pump	See Table	-
13	Pump Motor Shim	20510	
14	Pump Motor Support	22799	
15	Pump Body	10065	
16	Pump Impeller	See Table	-
17	Diffusor	10067	
18	Pump Filter	20518	

Ref. 11 - Pump Assembly

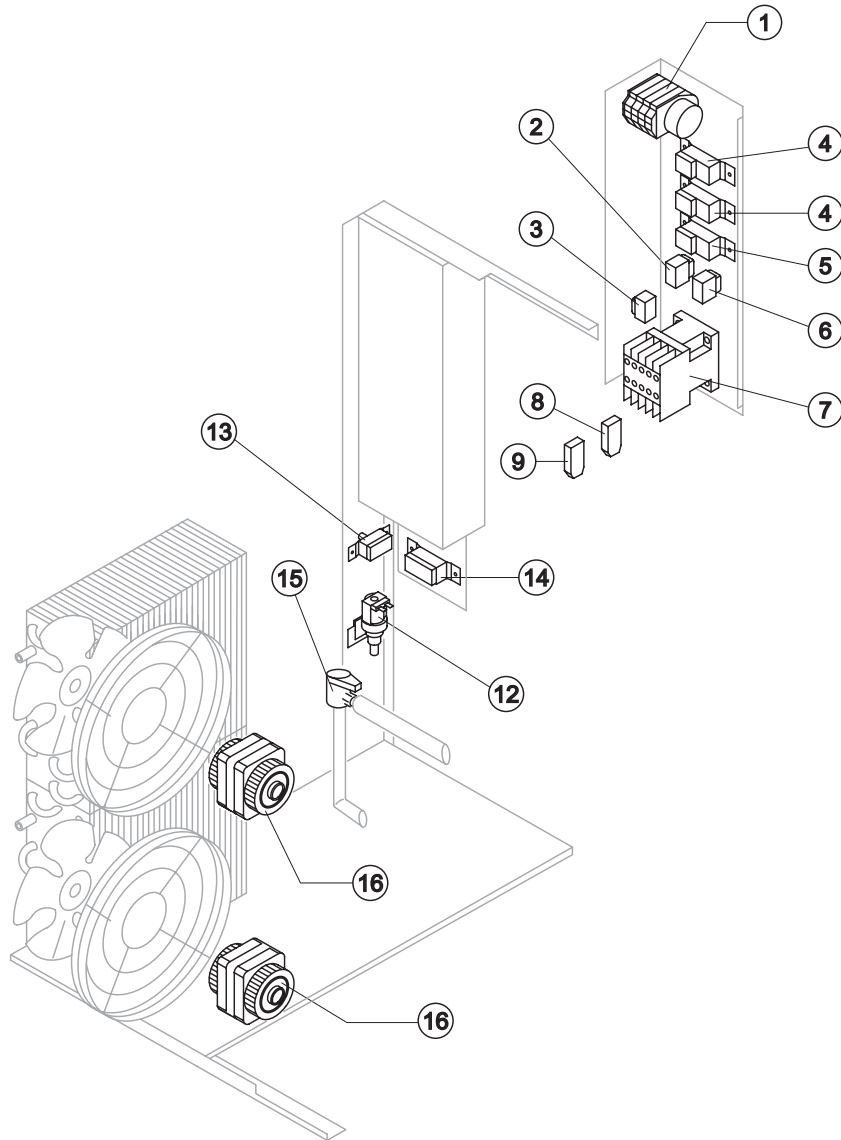
Tension	Code
220/240V 50 Hz	C23626
220/230V 60 Hz	C23627

Ref. 12 - Pump

Tension	Code
220/240V 50 Hz	23600
220/230V 60 Hz	23601

Ref. 16 - Pump Impeller

Tension	Code
220/240V 50 Hz	10066
220/230V 60 Hz	10138



Common Parts

Ref.	Spare Description	Code
1	Timer	See Table
2	Light Switch "Economy-Full"	23611
3	"Cleaning" Switch	23619
4	Bin Thermostat	R23005
5	Evaporator Thermostat	R23597
6	Green Light Switch (On-Off)	23327
7	Contactator	23147
12	1 Way- Water Inlet Valve	23623
13	Safety Pressure Switch	23342
15	Water Outlet Valve	23537

Parts for Air-Cooled Version Only

Ref.	Spare Description	Code
8	Anti Radio Interference Filter	Only 220V 50 Hz C23459
9	Anti Radio Interference Filter	Only 220V 50 Hz C23458
14	Condenser Pressure Switch	23175
16	Fan Motor	23121

Ref. 1 - Timer

Tension	Code
220/240V 50 Hz	23635
220/230V 60 Hz	23632