

M B M

**SPARE PARTS CATALOGUE
ERSATZTEILKATALOG
CATALOGUE PIECES DETACHEES
CATALOGO PARTI RICAMBIO
CATALOGO DE PIEZAS DE RECAMBIO
CATALOGO PEÇAS DE REPOSICAO**

LOD 102

23-04-2009

LOD 102

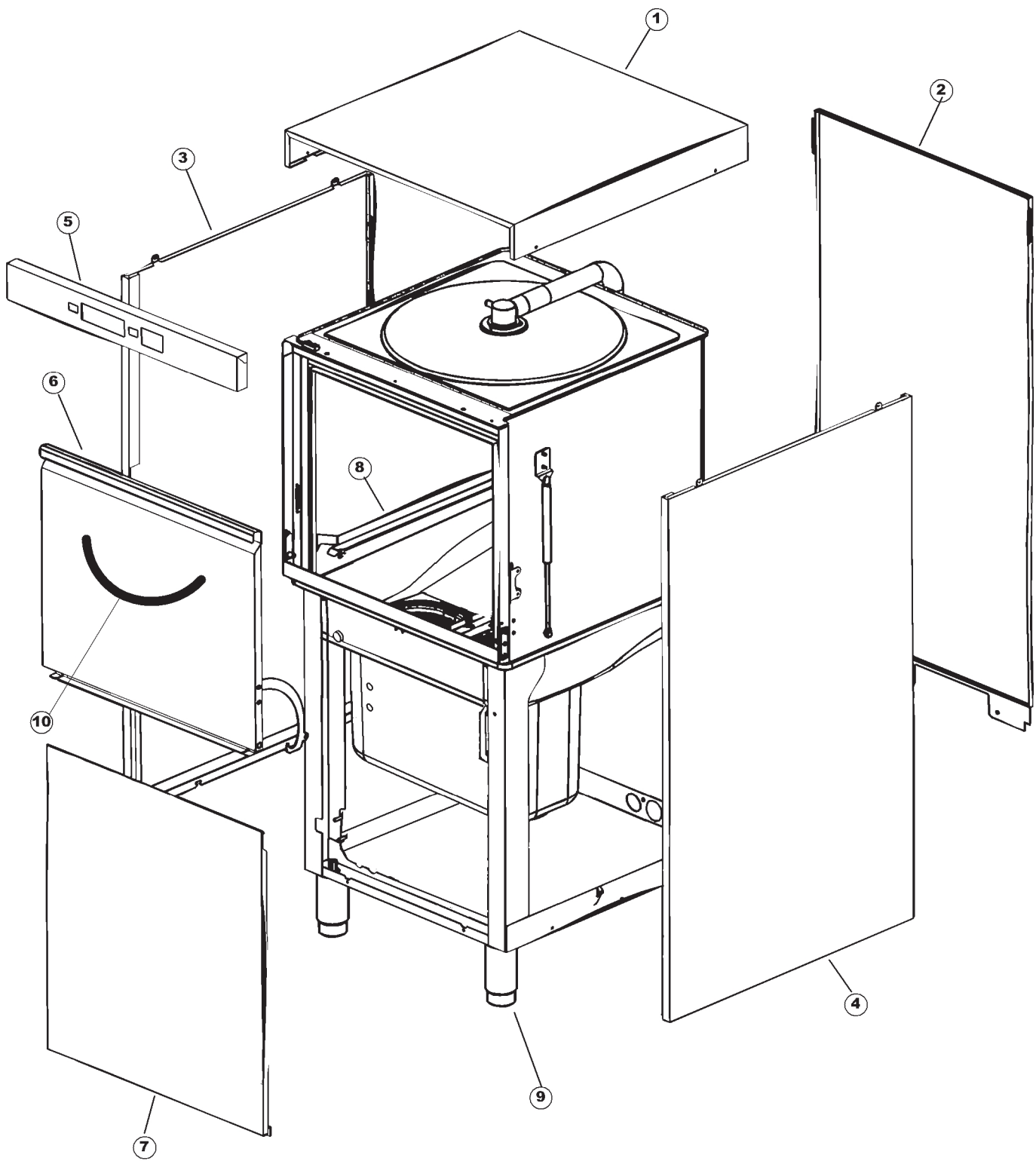
Tav.1: Carrozzeria
Tav.2: Impianto elettrico
Tav.3: Componenti in vasca
Tav.4: Circuito di lavaggio
Tav.5: Circuito di risciacquo
Tav.6: Lance di lavaggio
Tav.7: Pompa di lavaggio
Tav.8: Pompa di scarico

Tav.1: Machine body
Tav.2: Electrical components
Tav.3: Components in the tank
Tav.4: Washing circuit
Tav.5: Rinsing circuit
Tav.6: Washing arms
Tav.7: Washing pump
Tav.8: Draining pump

Tab.1: Carrocería
Tab.2: Instalación eléctrica
Tab.3: Componentes en cuba
Tab.4: Circuito de lavado
Tab.5: Circuito d'enjuague
Tab.6: Brazos de lavado
Tab.7: Bomba de lavado
Tab.8: Bomba de descarga

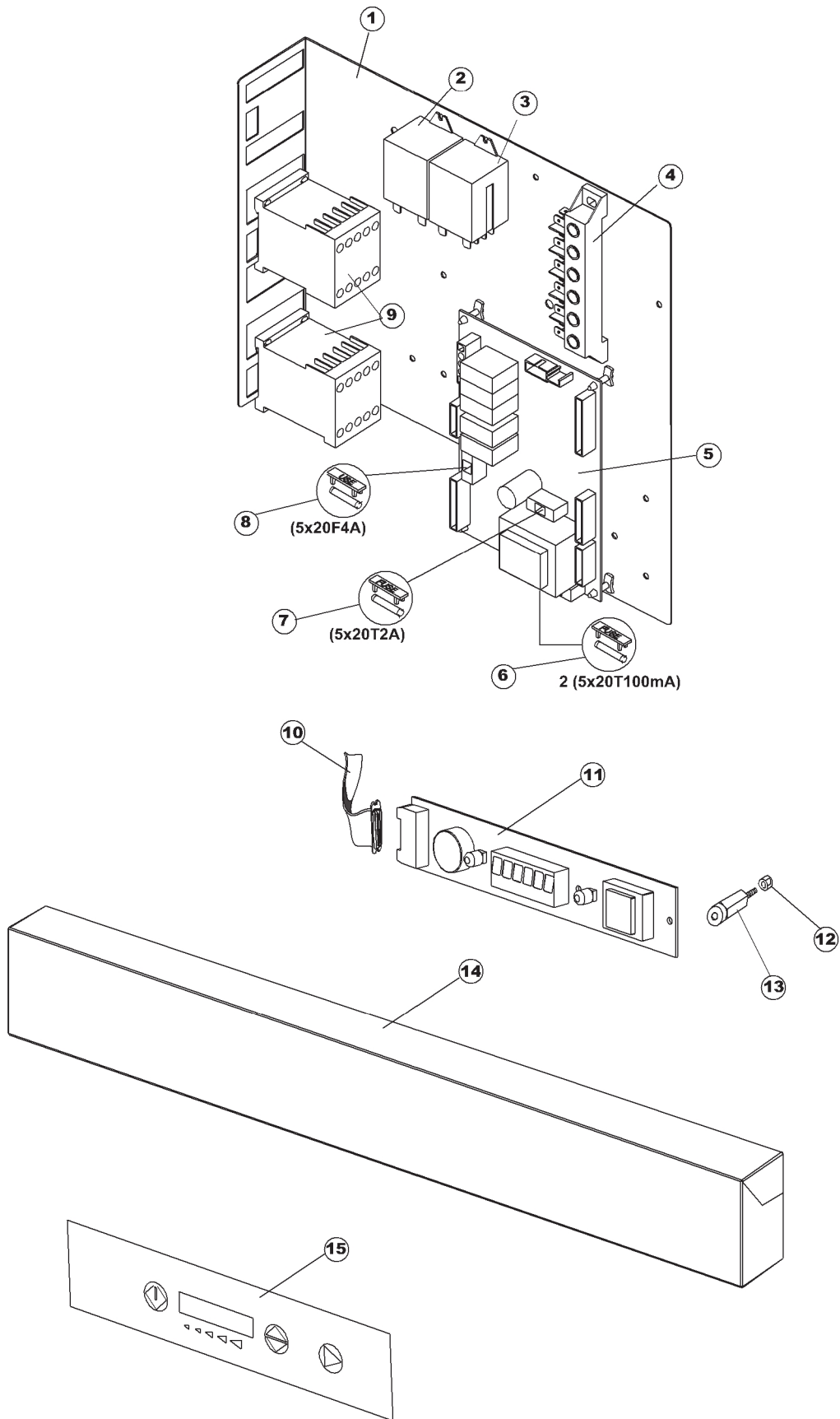
Tab.1: Carrosserie
Tab.2: Installation électrique
Tab.3: Composants de cuve
Tab.4: Circuit de lavage
Tab.5: Circuit de rinçage
Tab.6: Bras de lavage
Tab.7: Pompe de lavage
Tab.8: Pompe de vidange

Taf.1: Verkleidung
Taf.2: Elektrische Anlage
Taf.3: Bauteile im Waschtank
Taf.4: Spuelschaltung
Taf.5: Nachspuelschaltung
Taf.6: Wascharmee
Taf.7: Spuelpumpe
Taf.8: Laugenpumpe



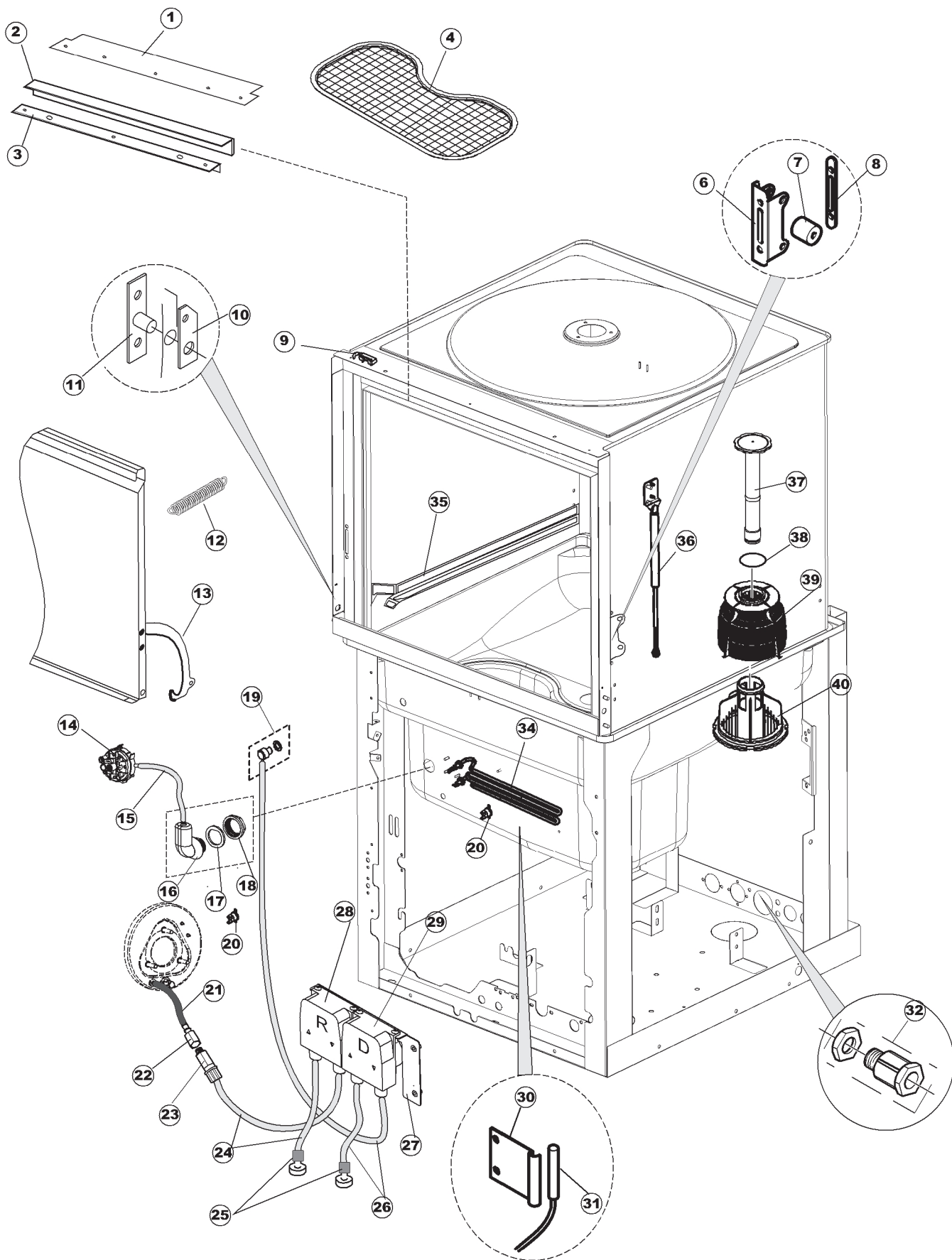
Pagina 1

1	35030	PANNELLO SUPERIORE PIEGATO FINITO UPPER PANEL FOR RV71 OBERPANEEL RV71 PANNEAU DESSUS POUR RV71	
2	35045	PANNELLO POSTERIORE PIEGATO FINITO REAR PANEL RUECKWANDVERKLEIDUNG PANNEAU ARRIERE	
3	35040	PANNELLO LATERALE SX PIEGATO FINITO SIDE PANEL LEFT SEITNES PANEEL LINKS PANNEAU LATERERAL GH.	
4	35035	PANNELLO LATERALE DX PIEGATO FINITO RH SIDE PANEL PG FINISHED SEITENPANEEL RECHTS GEBOG. FERTIG PANNEAU LATÉRAL DT PL FINI	
5	35605	CRUSCOTTO PT710 PIEGATO FINITO CRUSCOTTO PT710 PIEGATO FINITO CONTROL PANEL PT710 STIRNBRETT PT710	
7	35050	PANNELLO ANTERIORE NEUTRO PIEGATO FINITO FRONT PANEL FRONTBLLENDE PANNEAU AVANT	
9	927006	PIEDE IN ACCIAIO INOSSIDABILE 2" M.H=85 STAINLESS STEEL FOOT 2" M.H=85 C/F+P.125 FUESS AUS NICHTROSTENDEM STAHL 2" M.H=85 VERRIN -ACIER INOXYDABLE 2" M.H=85 C/F+	



Pagina 2

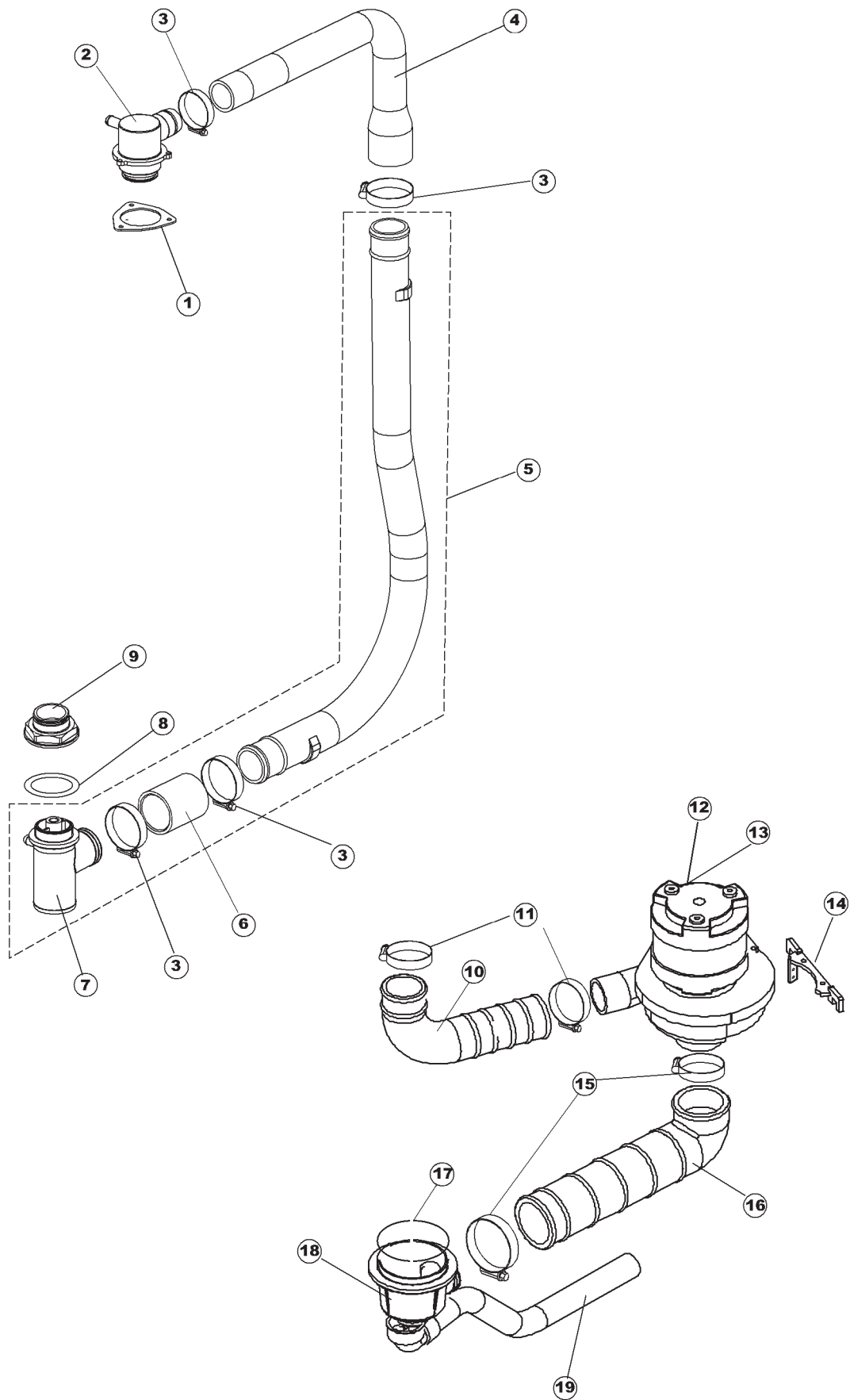
1	80459	PANNELLO PROTACOMPONENTI CAPOT PANEL PANEEL PANNEAU	
2	229029	RELE'A1-230AC-L RELAY A1-230AC-L RELAIS A1-230AC-L RELAIS A1-230AC-L	
3	929115	RELE 16A FIN 6282/230AC RELAY 16A 230V 6282 RELAIS 16A 230V 6282 RELAIS 16A 230V 6282	
4	220011	MORSETTIERA 5 POLI CON MORSETTO DI MESSA 5 POLES TERMINAL BOARD WITH EARTHING TER FUENFPOLIGE KLEMMLEISTE + ERDUNGSKLEMME PLAQUE A BORNE 5 POLES AVEC BORNE DE TER	
5	215032	SCHEDA ELETTRONICA GET50 MAIN BOARD KARTE CARTE ELECTRONIQUE	
6	228012	FUSIBILE 5X20 T100MA FUSE SICHERUNG FUSIBLE	
7	228011	FUSIBILE 5X20 T2A FUSE SICHERUNG FUSIBLE	
8	228004	FUSIBILE 5X20 4A FAST FUSE SICHERUNG FUSIBLE	
9	80350	CONTATTORE 230/50-60HZ CONTACTOR 230-50/60HZ KONTAKT-GEBER 230-50/60HZ CONTACTEUR 230-50/60HZ	
10	80933	CAVO FLAT COMANDI SUPERIORI CAPOT CABLE FLAT CAPOT KABEL FLAT TRISSE LIAISON	
11	227059	PULSANTIERA 4 TASTI 2 DISPLAY X GET5 PUSH BUTTONS ASSEMBLY TASTENFELD TABLEAU DE PUSOIR	
12	417119	DADO M3 PLASTICA BIANCO NUT M3 NYLON MUTTER M3 NYLON ECROU M3 NYLON	3x
13	419036	DISTANZIALE M3 INTERFACE BOARD DISTANCE KEEPERS ABSTANDSROHR ENTRETOISE X CARTE ELECTRONIQUE	3x
14	35056	PANNELLO CRUSCOTTO LP92 COMPLETO CONTROL PANEL ASSY LP92 BEDIENUNGSTABLEAUPANEEL, KOMPLETT FUER PANNEAU TABLEAU DE COMMANDES COMPLET	
15	35188	POLIESTERE HOCA TEC 1700RD	



Pagina 3

2	35017	GIARNIZIONE SPORTELO LP92/GS60 DOOR GASKET LP92/GS60 TUERDICHTUNG LP92/GS60 JOINT PORTE LP92/GS60	
4	80235	FILTRO IN PLASTICA C/FORO CAPOT PLASTIC FILTER FILTRE EN PLASTIQUE	
6	35210	SUPPORTO BATTUTA ASTA SPORTELO PG DOOR SUPPORTER UNTERLAGE FUER STANGE SUPPORT FEUILLURE DE PORTE	
7	80105	PARACOLPI CAPOT SHOCK ABSORBER PUFFER AMMORTISSEUR	
8	307012	GUIDA BATTUTA ASTA PORTA GRIGIO X5 DOOR STOPPER DRIVE TÜR-STÖPSEL-ANTRIEB GUIDE TIGE PORTE	
9	211002	CONTATTO MAGNETICO MAGNETIC DOOR SWITCH TUERKONTAKTSCHALTER CONTACTE MAGNETIQUE	
10	35510	SPESSORE LATERALE SPORTELO LP92 DOOR SIDE THICKNESS LP92 TUERDICKUNG SEITLICH LP92 EPAISSEUR LATERAL PORTE LP92	
11	35060	CERNIERA SPORTELO LP92 HINGE LP92 SCHARNIER CHARNIERE LP92	
12	35020	MOLLA SPORTELO SPRING FEDER RESSORT	
13	35013	TIRANTE SPORTELO LP92 LASERATO DOOR TIE LP92 ZUGSTANGE DER TUER LP92 TIRANT PORTE LP92	
14	69850	PRESSOSTATO 45/22 PRESSURE SWITCH TYPE 45/22 DRUCKWAECHTER 45/22 PRESSOSTAT 45/22	
15	143131	VEDI CODICE 143005 SEE CODE 143005 SIEHE KODE NR. 143005 VOIR CODE 143005	
16	107012	CAMPANA PRESSOSTATO (L) RV40-50-CAPOTE AIR TRAP WINDKESSEL PRISE D'AIR	
17	437098	GIARNIZIONE NUOVA CAMP.PRESS. PACKING FOR AIR TRAP OF PRESSURE SWITCH DICHTUNG FUER WINDKESSEL DES DRUECKWAEC JOINT PRISE D'AIRE PRESSOSTAT	
18	417120	DADO PLASTICA GRIGIO PLASTIC NUT KUNSTSTOFFMUTTER 1-1/4 ECROU EN PLASTIQUE	
19	468151	RACCORDO IN ACCIAIO INOSSIDABILE DI ENTR STAINLESS STEEL INLET DETERGENT ELBOW, A ANSCHLUSSSTUECK AUS NICHTROSTENDEM STAHL RACCORD EN ACIER INOXYDABLE ENTREE' DETE	
20	926189	TERMOSTATO DI SICUREZZA A CONTATTO (2360 CONTACT SAFETY-THERMOSTAT (REPLACES FORM KONTAKT-SICHERUNGSTHERMOSTAT (236039) THERMOSTAT DE SURETE' A CONTACT (236039)	

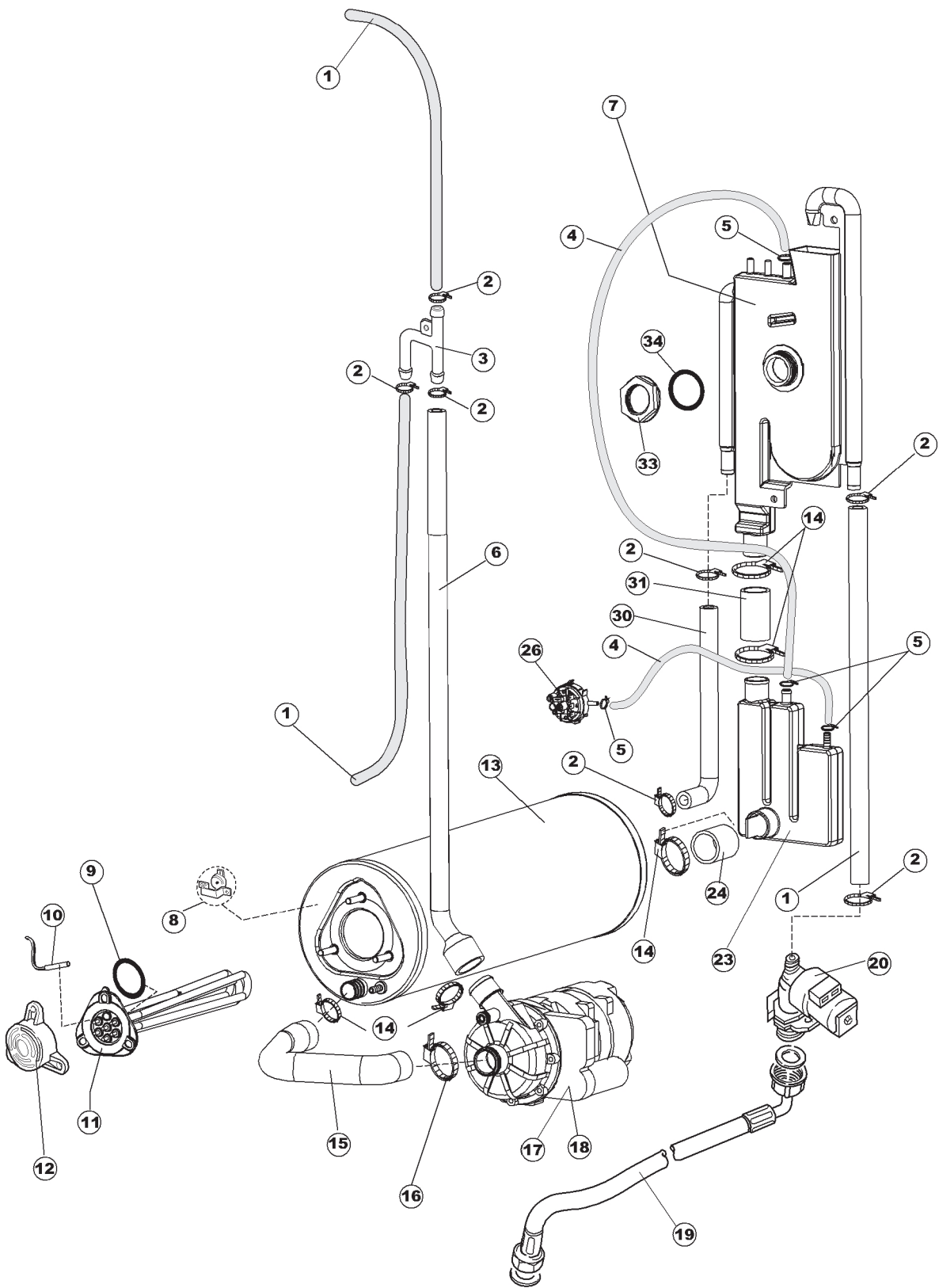
21	143005	TUBO IN GOMMA TELATA 5X12 NERO LINEN RUBBER PIPE 5X12 - BLACK SCHLAUCH AUS LINENGUMMI 5X12 - SCHWARZ TUYAU EN CAOUTCHOUC LIN 5X12 NOIR	
22	468201	RACCORDO CALZATUBO PER INIEZ.BRILL. CONNECTION ANSCHLUSS RACCORD	
23	468200	RACCORDO ACCIAIO INOX AISI316 1/8" STAINLESS STEEL CONNECTION AISI316 1/8" ANSCHLUSSSTUECK AUS NICHTROSTENDEM STAHL RACCORD EN ACIER INOXYDABLE 1/8"	
24	H.775601	TUBO 4x6 CRISTAL BLUE (FX NUOVA) BLUE HOSE 4X6 LEITUNG 4x6 CRISTAL BLUE TUYAU 4x6 CRISTAL BLUE	
25	121075	FILTRO PER POMPA DETERGENTE DETERGENT PUMP FILTER (S6754) SIEB FUER SPUELMITTELPUEMPE FILTRE POUR POMPE DETERGENT	
26	143194	TUBO TRASPARENTE 4X6 TRANSPARENT HOSE 4X6 DURCHSICHTIGES ROHR 4X6 TUYAU TRANSPARENT 4X6	
27	80952	STAFFA COMPONENTI	
28	209024	DOSAT PERIST.BRILLANTANTE NON REG. PERISTALTIC DISPENSER PERISTALTJSCHES DOSIERGERAET DOSEUR PERISTALTIQUE	
29	209022	DOSAT PERIST.DETERGENTE NON REG. PERISTALTIC DISPENSER PERISTALTJSCHES DOSIERGERAET DOSEUR PERISTALTIQUE	
30	H.775489-001	CLIP SONDA TEMPERATURA D5 CLIP FOR TEMP.SENSOR D5 CLIP	
31	231014	SONDA TEMPERATURA GET-5 TEMP. PROBE KUGEL SONDE	
32	929103	PRESSACAPO PG16 PASSO (BER 4716) CABLE-PRESS KABELBESCHWERER PRESSE-CABLE	
34	80677	RESISTENZA VASCA 2500 W 230V MONOFASE HEATING ELEMENT 2,5KW 230V ELEKTRISCHER RESISTANCE	
36	35070	MOLLA A GAS(082643) SPRING FEDER RESSORT	
37	80249	TROPPOPIENO CON FORO SLOTTED OVERFLOW PIPE GESCHLITZTES STANDROHR BONDE DE SURVERSE AVEC FENTE	
38	CGR4131NT	O-RING 4131 VITON NERO SH.70 O-RING 4131 BLACK SCREW SH.70 GUMMIDICHTRING 4131 - SCHRAUBE - SCHWARZ BAGUE D'ETANCHEITE' 4131 - VIS NOIRE SH.	
39	121081	FILTRO PER POMPA LAVAGGIO PER LAVASTOVIG DRAIN PUMP FILTER FOR DISH-WASHER (S6639) SIEB FUER WASCH-PUEMPE FUER GESCHIRR- SPU FILTRE POMPE DE LAVAGE POUR LAVE-VAISSEL	
40	429038	GHIERA PER SEZIONE DI SCARICO (G.CHIARO) RING NUT FOR DRAIN PART FOR HOOD-TYPE GEWINDERING FUER ABFLUSSSEKTION FUER DOUILLE POUR SECTION DE VIDANGE POUR	



Pagina 4

1	437064	GUARNIZIONE CONDOTTA CENTRALE SUPERIORE GASKET UPPER CENTRAL PIPELINE DICHTUNG FUER ZENTRALLEITUNG - OBEN - FU JOINT POUR CONDUITE CENTRALE SUPERIEURE	
2	35602	CONDOTTA CENTRALE SUPERIORE LP92 MANIFOLD LP92 ZULAULEITUNG LP92 DURITE LP92	
3	CFS1A	FASCETTA A VITE TORRO 40-60/13-7 SCREW-CLAMP TORRO 40-60/13-7 SCHRAUBE-SHELLE TORRO 40-60/13-7 COLLIER A VIS TORRO 40-60/13-7	
4	35603	TUBO GOMMA MANDATA LAVAGGIO RUBBER HOSE 10X17 COMPLYING WITH DVGW RUBBER HOSE GUMMSCHLAUCH	
5	35400	MANDATA LAVAGGIO FRONTALI COMPLETA MANIFOLD WASCHAUSLASSROHR DURITE	
6	80189	MANICOTTO PER TUBO MANDATA LAVAGGIO MANIFOLD SCHLAUCH (FUER WASHLEITUNG ART-NR.80237) MANCHON	
7	80179	RACCORDO LAVAGGIO INFERIORE ESTERNO CONNECTION ANSCHLUSS RACCORD	
8	80182	GUARNIZIONE MANDATA INF.CAPOT RV. GASKET DICHTUNG JOINT	
9	80281	GHIERA LAVAGGIO INFERIORE INTERNO ALTA FERRULE FOR LOWER INTERNAL WASH ASSY. GEWINDERING FUER INNERE NIEDRIGE BAGUE FILETÉE INFÉRIEURE ENSEMBLE	
10	80188	MANICOTTO MANDATA RUBBER SLEEVE - SUPPLY SIDE ZUFUHRUNGSMUFFE MANCHON DE DEBIT	
11	CFS2	FASCETTA A VITE TORRO 50-70/13-7 SCREW-CLAMP TORRO 50-70/13-7 SCHRAUBE-SHELLE TORRO 50-70/13-7 COLLIER A VIS TORRO 50-70/13-7	
12	80112	ELETTROPOMPA 0,8 kW 220-240V/50HZ CON ELECTROPUMP 0,8kW 220-240/50HZ WITH COND MOTORPUMPE 0,8kW 220/240/50HZ MIT KONDE MOTOPOMPE 0,8kW 220-240V/50HZ AVEC CONDEN	
13	80112HZ	ELETTROPOMPA 0,8kW 220-240V/60HZ ELECTROPUMP WITH CONDENSER 0,8 kW MOTORPUMPE MIT KONDENSATOR MOTOPOMPE AVEC CONDESEUR 0,8 kW	
14	80545	SQ. SUPPORTO POMPA X 80112 & 80114 SQUARE WINKEL EQUERRE	
15	CFS3	FASCETTA A VITE TORRO 60-80/12 SCREW-CLAMP TORRO 60-80/12 SCHRAUBE-SHELLE TORRO 60-80/12 COLLIER A VIS TORRO 60-80/12	
16	80186	MANICOTTO ASPIRAZIONE RUBBER ELBOW - SUPPLY SIDE ZUFUHRMUFFE - DRUCKSEITE MANCHON ASPIRATION	
17	456040	GUARNIZIONE O-RING PER GRUPPO O-RING PACKING FOR SUCTION AND DRAIN UNI DICHTUNG O-RING FUER ABSAUGUNGS- UND AB- JOINT O-RING POUR GROUPE ASPIRATION/ VID	

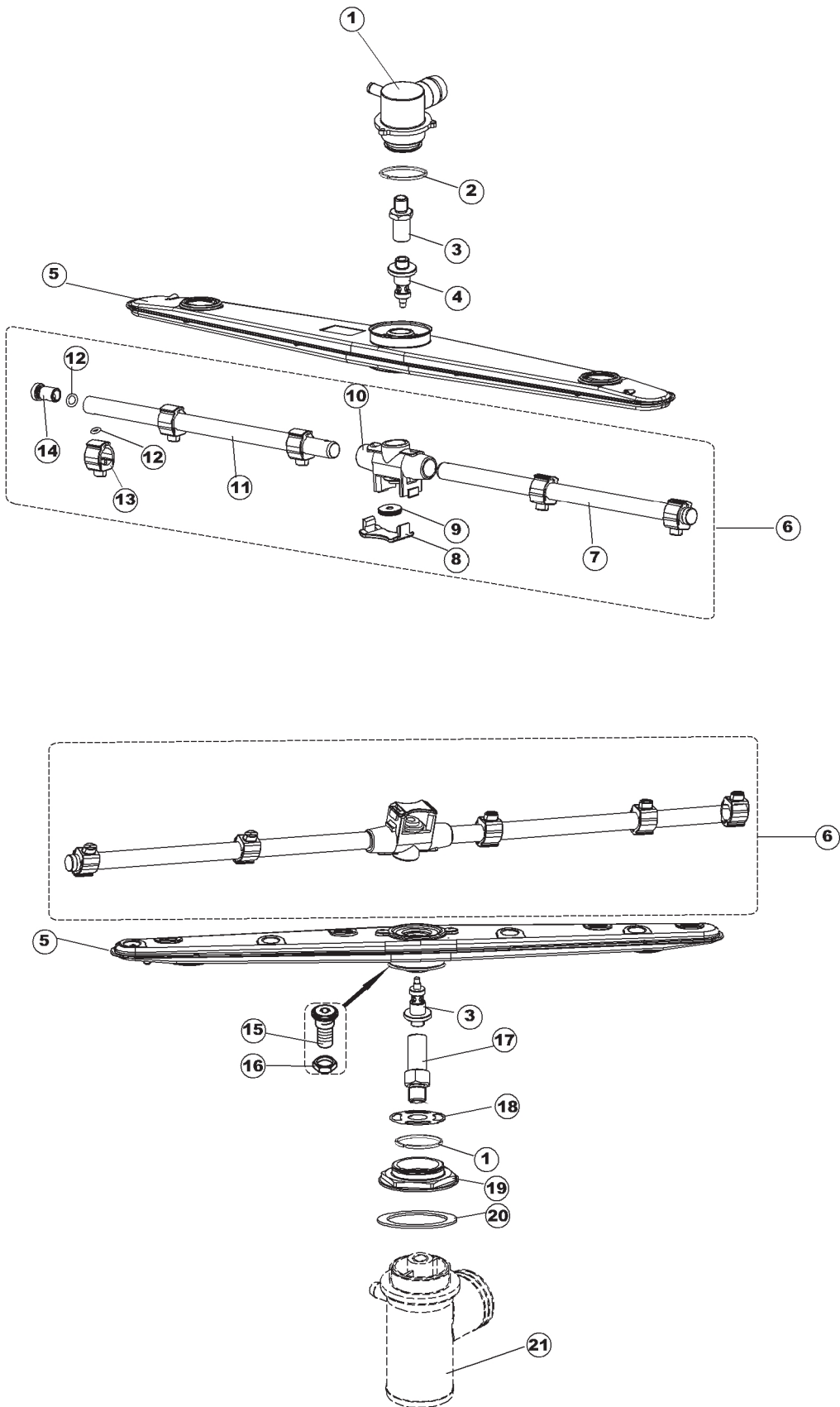
18	136020	CORPO D'ASPIRAZIONE/SCARICO GRIGIO SCURO ASPIRATION AND DRAIN BODY ABSAUG-UND ABFLUSSKOERPER CORPS D'ASPIRATION/VIDANGE	
19	143136	TUBO DI SCARICO DRAIN HOSE ABFLUSSSCHLAUCH TUYAU DE VIDANGE	



Pagina 5

1	CFS18	FASCETTA A VITE TORRO 20-32/9 CLAMP 20-32/9 SCHELLE COLLIER 20-32/9	
2	927322	FASCETTA NASTRO 12-22 TAPE CLAMP 12-22 BANDSCHELLE 12-22 COLLIER POUR BANDE 12-22	
3	143173	GIUNZIONE DI RISCIAQUO Y-JUNCTION RINSE MANIFOLD Y-STUECK RACCORD DE RINCAGE	
4	143131	VEDI CODICE 143005 SEE CODE 143005 SIEHE KODE NR. 143005 VOIR CODE 143005	
5	423010	FASCETTA A VITE TORRO W2 8 -12/7 SCREW-CLAMP TORRO W2 8-12/7 SCHRAUBE-SCHELLE TORRO W2 8-12/7 COLLIER A VIS TORRO W2 8-12/7	
6	41525	TUBO MANDATA RISCIAQUO (CRP) RINSE DELIVERY TUBE(CRP) NACHSPUEL-FOERDERLEITUNG (CRP) TUYAU DE REFOULEMENT RINAGE (CRP)	
7	144021	AIRGAP SPECIALE LA50 PLASTIC AIRGAP AIR GAP GEOFFNETER BEHAELTER AIRGAP SPECIAL LA50	
8	926189	TERMOSTATO DI SICUREZZA A CONTATTO (2360) CONTACT SAFETY-THERMOSTAT (REPLACES FORM KONTAKT-SICHERUNGSTHERMOSTAT (236039) THERMOSTAT DE SURETE' A CONTACT (236039)	
9	456002	O-RING PER RESISTENZA BOILER O-RING FOR BOILER RESISTANCE (S6218) O-RING FUER HEIZUNG DES WARMWASSER- BERE O-RING RESISTANCE SURCHAUFFEUR	
10	231014	SONDA TEMPERATURA GET-5 TEMP. PROBE KUGEL SONDE	
11	230083C	KIT RESISTENZA REB230083 (6KW) KIT OF HEATING ELEMENT REB230083 (6KW) KIT HEIZUNGEN REB230083 (6KW) KIT RESISTANCES REB230083 (6KW)	
12	467002	PROTEZIONE RESISTENZA BOILER BOILER HEATING ELEMENT PROTECTION HEIZUNGSSCHUETZ DES WARMWASSERBEREITERS PROTECTION RESISTANCE BOILER	
13	104061	BOILER CRP LA50 BOILER CRP BOILER CRP SURCHAUFFEUR CRP	
14	CFS18	FASCETTA A VITE TORRO 20-32/9 CLAMP 20-32/9 SCHELLE COLLIER 20-32/9	
15	69068	MANICOTTO ASPIRAZ.CRP LA50 INTAKE COUPLING LA50 SAUGMUFFE LA50 MANCHON D'ASPIRATION	
16	423008	FASCETTA A VITE TORRO 25-40-/9 SCREW CLAMP TORRO 25-40/9 SCHRAUBE-SCHELLE TORRO 25-40/9 COLLIER A VIS TORRO 25-40/9	
17	80627	ELETTROPOMPA 200W 230V-1PH-50HZ PUMP PUMPE POMPE	

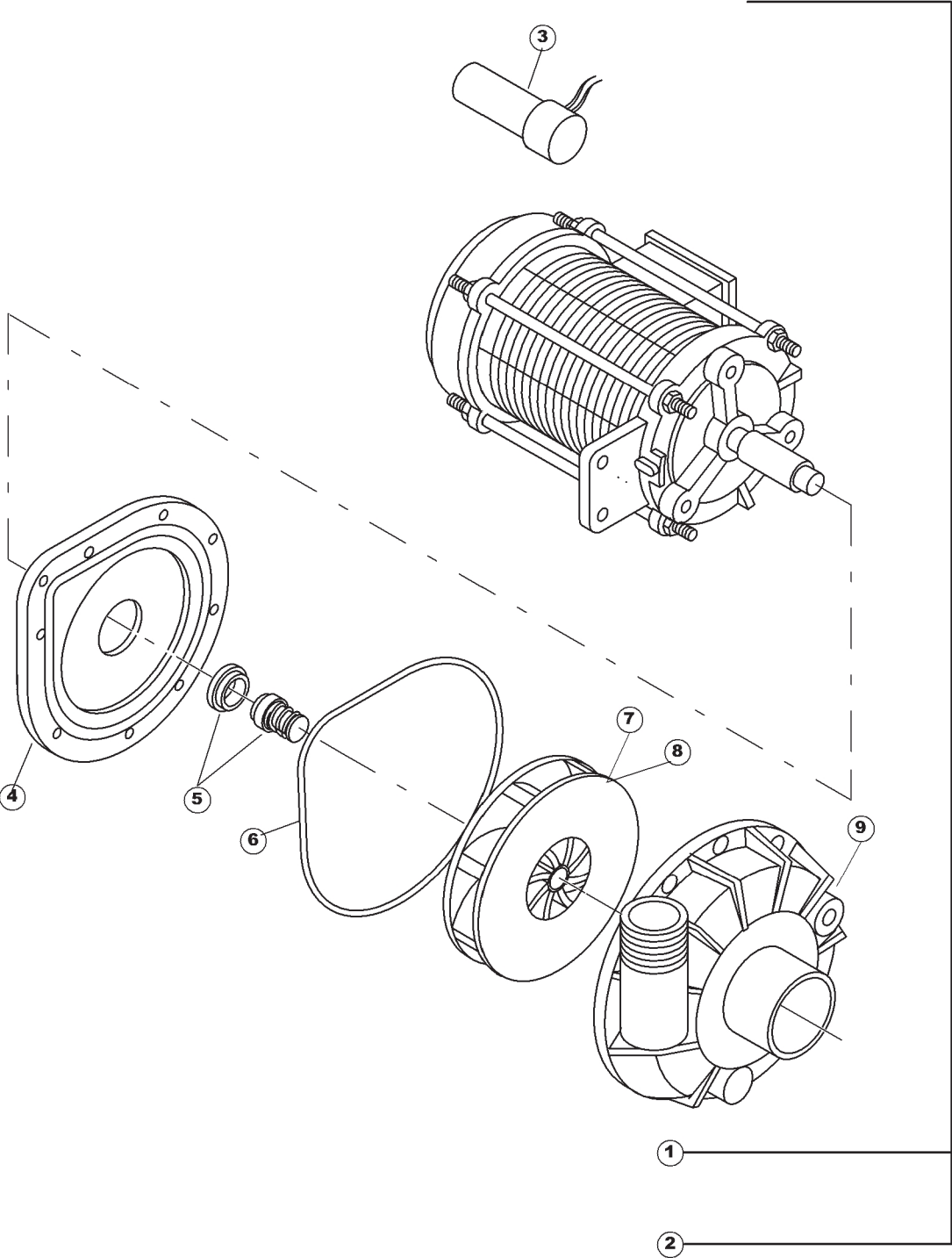
18	80629	ELETTROPOMPA 200W 220/240V-1PH-60HZ PUMP PUMPE POMPE	
19	929169	TUBO DI CARICO TERMOPLASTICO VDE (3/4 X THERMOPLASTIC INLET HOSE VDE (A2096) THERMOPLASTISCHER ZULAUFSCHLAUCH VDE TUYAU DE CHARGEMENT THERMOPLASTIQUE VDE	
20	240018	ELETTRIVALVOLA DI CARICO - 1 VIA CRP ONE-WAY "CRP" FILL SOLENOID VALVE "CRP" WASSERZUFUHR-EINWEGMAGNETVENTIL ELECTROVANNE D'ALIMENTATION "CRP"	
23	144027	SISTEMA CARICAMENTO CRP PLASTIC AIRGAP AIR GAP GEOFFNETER BEHAELTER	
24	127095	MANICOTTO BOILER->SISTEMA CRP	
30	143131	VEDI CODICE 143005 SEE CODE 143005 SIEHE KODE NR. 143005 VOIR CODE 143005	
31	929171	TUBO IN GOMMA 20X30 RUBBER PIPE 20X30 GUMMISCHALUCH 20X30 TUYAU EN CAOUTCHOUC 20X30	
33	417125	DADO IN PLAST.CON COLLARE(171571) NUT MUTTER ECROU	
34	437104	GUARNIZIONE D45D33S2 EPDM 70SH RUBBER GASKET DICHTUNG JOINT	



Pagina 6

1	80177	CONDOTTO LAVAGGIO SUP.RIVER MAINFOLD ZULAULEITUNG DURITE	
2	80184	ANELLO TENUTA PER SUPP.LAVAGGIO SEALING RING TEILERPLATTE BAGUE	
3	80282	PERNO IN ACCIAIO INOSSIDABILE PER LANCIA PIVOT ZAPFEN PIVOT	
4	80380	PERNO LANCIA GIREVOLE REVOLVING ARM SPINDLE DREHARMSPINDEL PIVOT DE TOURNIQUET	
5	80311	PETTINE LAVAGGIO RIVER CAPOT WASH ARM SPUELARM BRAS LAV	
6	80370	PETTINE RISCIAQUO RIVER 80/81 RINSE ARM NACHSPUELARM BRAS RINCAGE	
7	80375	TUBO RISC.(2FORI)RIVER 80/81 RINSE PIPE NACHSPUELSCHLAUCH - WASSERSAMMELLEITUNG- TUYAU	
8	412030	FERMO DI SICUR.NOTTOLINO X5 GRIGIO STOPPER SAFETY BLOCK X5 STUTZENEITSVERRIEGELUNG X5 ARRET DE SECURITE X5 GRIS	
9	454005	NOTTOLINO TORNITO D21.5 PIN ZAPFEN PIVOT	
10	129059	CORPO RISCIAQUO X5 RINSE ROTATING ARM X5 VERTEILERSTK. NACHSP.ARM X5 ELEMENT DE BRAS RINCAGE X5	
11	80376	TUBO RISC.(3FORI)RIVER 80/81 RINSE PIPE NACHSPUELSCHLAUCH - WASSERSAMMELLEITUNG- TUYAU	
12	458060	OR 2025 O-RING 2025 O-RING 2025 JOINT THORIQUE 2025	
13	140028	SPRUZZATORE RISCIAQUO RINSE SPRAYER NACHSPUELUNGS-SPRITZER VAPORISATEUR RINCAGE	
14	926132	TAPPO PL.X BRACCIO DI RISC.(DWVT312) PLASTIC RINSE ARM CAP ZAPFEN EMBOUT EN PLASTIQUE POUR RAMPE DE RINC.	
15	80310	SUPPORTO LANCI LAVAGGIO GRIGIO GREY WASH ARM JOURNAL BOX (RAL 7001) WASCHARMHALTER - GRAU (RAL 7001) SUPPORT RAMPE DE LAVAGE GRIS (RAL7001)	
16	80314	VEDI CODICE 926128 SEE CODE 926128 SIEHE KODE 926128 VOIRE CODE 926128	
17	80283	PERNO IN ACCIAIO INOSSIDABILE LANCIA LOWER STAINLESS STEEL SPINDLE OF UPER UNTERE EDEKLSTAHLSTUETZE FUER OBEREN PIVOT INFERIEUR DE BRAS DE LAVAGE HAUT	

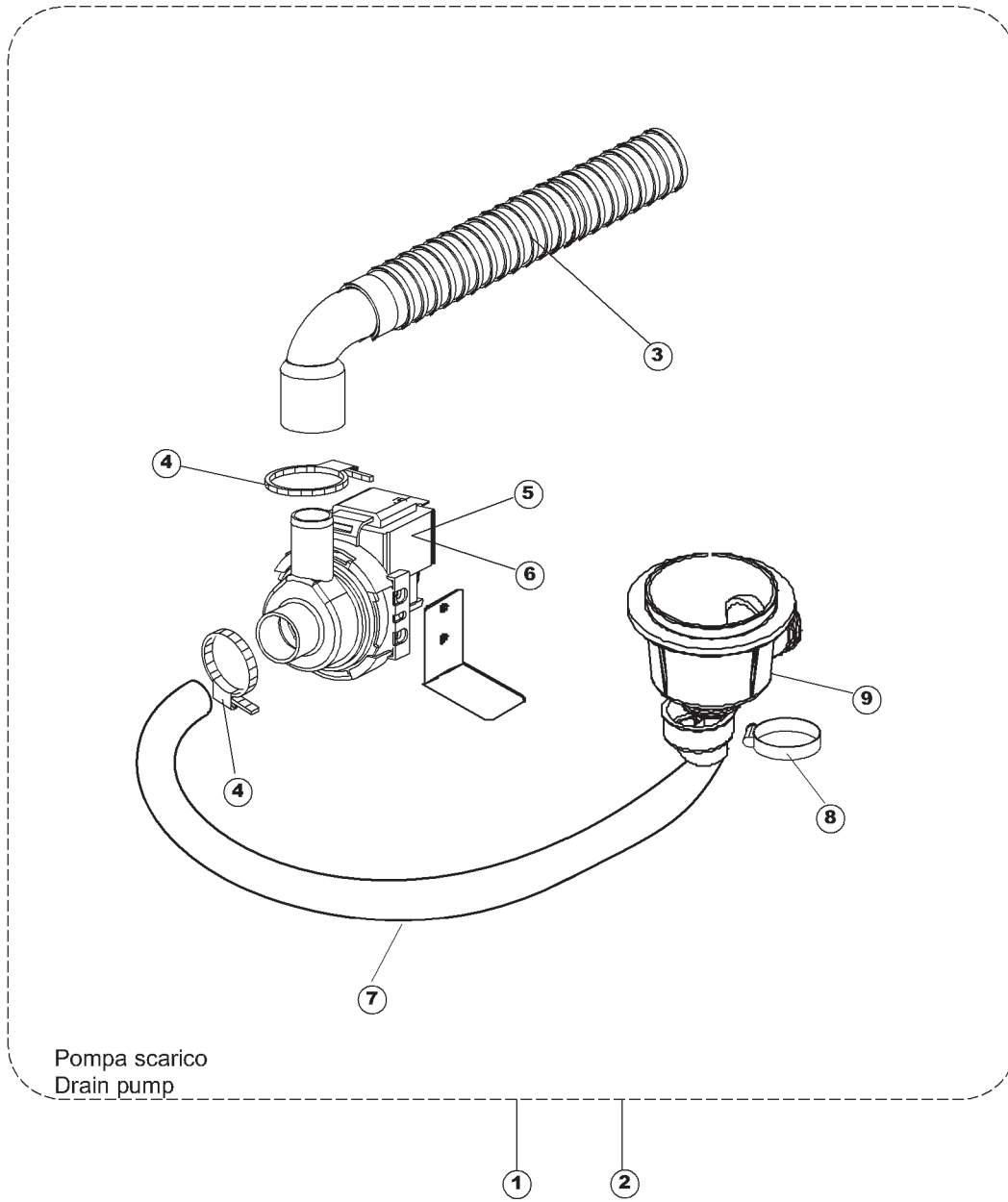
18	80316	PARZIALIZZATORE RIVER CAPOT FLOW REDUCER DRUCKVERTEILERPLATTE DISQUE REDUCTEUR	
19	80281	GHIERA LAVAGGIO INFERIORE INTERNO ALTA FERRULE FOR LOWER INTERNAL WASH ASSY. GEWINDERING FUER INNERE NIEDRIGE BAGUE FILETÉE INFÉRIEURE ENSEMBLE	
20	80182	GIARNIZIONE MANDATA INF.CAPOT RV. GASKET DICHTUNG JOINT	
21	80179	RACCORDO LAVAGGIO INFERIORE ESTERNO CONNECTION ANSCHLUSS RACCORD	



(ZF400)

Pagina 7

1	80112	ELETTROPOMPA 0,8 KW 220-240V/50HZ CON ELECTROPUMP 0,8KW 220-240/50HZ WITH COND MOTORPUMPE 0,8KW 220/240/50HZ MIT KONDE MOTOPOMPE 0,8KW 220-240V/50HZ AVEC CONDEN	
2	80112HZ	ELETTROPOMPA 0,8KW 220-240V/60HZ ELECTROPUMP WITH CONDENSER 0,8 KW MOTORPUMPE MIT KONDENSATOR MOTOPOMPE AVEC CONDESEUR 0,8 KW	
3	206005	CONDENSATORE 20MF PER POMPA DI LAVAGGIO WASH-PUMP CONDENSER FOR DISHWASHER KONDENSATOR 20MF FUER WASCHPUMPE FUER CONDESEUR 20MF POUR POMPE DE LAVAGE POU	
4	315011	FLANGIA PER POMPA DI LAVAGGIO PER WASH-PUMP FLANGE FOR DISHWASHER WASCHPUMPEFLANSCH FUER GESCHIRRSPUELER BRIDE POUR POMPE DE LAVAGE POUR LAVE-	
5	926255	TENUTA MECCANICA PER ELETTROPOMPA ZF40V WASHPUMP SHAFT SEAL ZF40V (S6264) MECHANISCHE DICHTUNG FUER MOTORPUMPE ZF4 ETANCHEITE' POUR MOTOPOMPE ZF40V	
6	456031	GUARNIZIONE O-RING PER POMPA DI LAVAGGIO O-RING PACKING FOR WASH-PUMP FOR GLASS- DICHTUNG O-RING FUER WASCHPUMPE FUER JOINT O-RING POUR POMPE DE LAVAGE POUR	
7	124031	GIRANTE PER ELETTROPOMPA ZF40V ELECTROPUMP IMPELLER FZ40V FLUEGELRAD FUER MOTORPUMPE FZ40V TURBINE POUR MOTORPUMPE FZ40V	
8	RAG291HZ	GIRANTE PER ELETTROPOMPA ZF40V ELECTROPUMP IMPELLER 60HZ FLUEGELARD FUER MOTORPUMPE TURBINE POUR MOTOPOMPE	
9	116013	CORPO POMPA S651 T150-160 PUMP SHELL PUMPEGEHAUSE) CORPS MOTOPOMPE	



Pompa scarico
Drain pump

Pagina 8

1	69702	KIT POMPA SCARICO DRAIN PUMP ASSY KIT KIT	Optional
2	69702HZ	KIT POMPA SCARICO	Optional
3	DZS151	TUBO DI SCARICO IN PLASTICA CM200 D25 (2 PLASTIC DRAIN HOSE CM 200 D25 (2 SLEEVES ABFLUSSROHR AUS PLASTIK CM200 D25 (2 MUF TUYAU DE VIDANGE EN PLASTIQUE CM200 D25	
4	CFS18	FASCETTA A VITE TORRO 20-32/9 CLAMP 20-32/9 SCHELLE COLLIER 20-32/9	
5	80117	ELETTROPOMPA SCARICO 220-240V/50HZ MONOF DRAIN PUMP 240V/50HZ (DPS35-601-04 LA POMPE DE L'ÉGOUT (DPS35-601-043 ELECTROPOMPE DE VIDANGE 240V/50HZ	
6	80117HZ	POMPA DI SCARICO 240/60HZ (DPS35-015) DRAIN PUMP 240/60HZ (DPS35-015) LAUGENPUMPE 240V/60HZ (DPS35-015) POMPE DI VIDANGE 240V/60HZ (DPS5-015)	
7	127056	MANICOTTO DI ASPIRAZIONE POMPA PUMP ASPIRATION SLEEVE ABSAUGUNGSMUFFE DER PUMPE MANCHON D'ASPIRATION POMPE	
8	CFS1A	FASCETTA A VITE TORRO 40-60/13-7 SCREW-CLAMP TORRO 40-60/13-7 SCHRAUBE-SHELLE TORRO 40-60/13-7 COLLIER A VIS TORRO 40-60/13-7	
9	136020	CORPO D'ASPIRAZIONE/SCARICO GRIGIO SCURO ASPIRATION AND DRAIN BODY ABSAUG-UND ABFLUSSKOERPER CORPS D'ASPIRATION/VIDANGE	