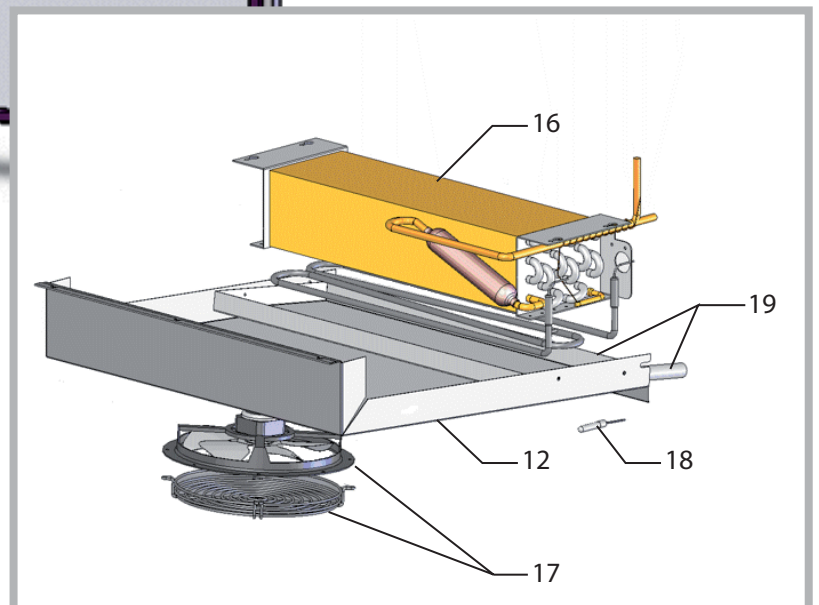
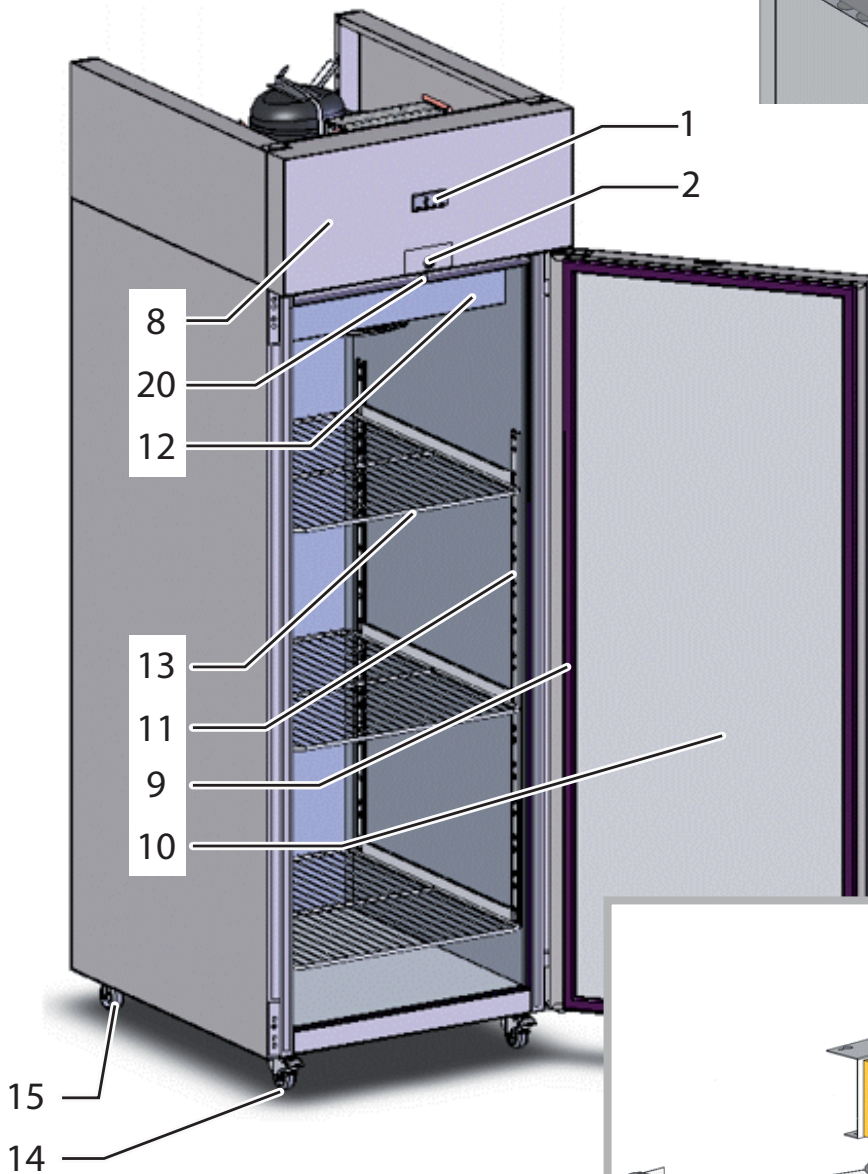
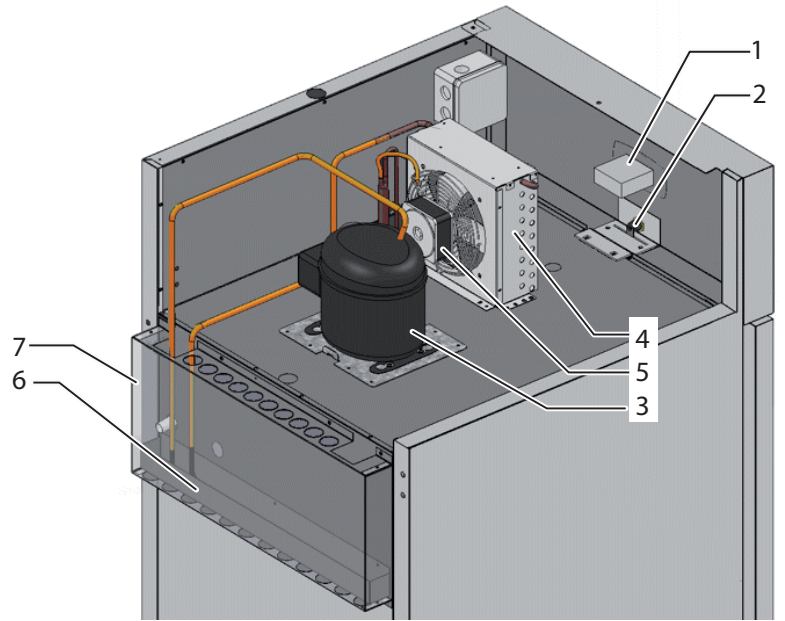


# BTE/TNE RICAMBI



**MODELLO: BTE**

POSIZIONE	CODICE	DENOMINAZIONE	??
1	00-556224	Controller LAE AT2-5 BS4E-AG	CONTROLLER
2	00-556004	Cam Lock Set	LOCK & KEEP SET
4	01-261540-01	Condenser Coil Eco D86577	CONDENSER COIL
5	15470026	Cond Fan Motor 5135 Grid Mount 7W Ø200mm	CONDENSER FAN - Motor
6	01-265480-01	Vapouriser Tray Alum FXT602	VAPORISER TRAY
7	01-265479-01	Vapouriser Heater Rear Cover FXT602	VAPORISER HEATER COVER
8	16031428	Unitcover 304 FXT602 Glass Door & No Light	UNITCOVER
9	01-264200-01	Gasket Full Door Black FXT 1546x608mm	DOOR - Gasket
10	16151234	Door S-S LH FXT602/1352	DOOR
11	01-265360-01	Ladderack Alum FXT602	LADDERACK
12	01-264098-01	Evaporator Fan Plate Alum FXT602	EVAPORATOR FAN - Plate
13	15271430	Shelf 650x530mm Grey 2/1 (Air Duct)	SHELF
14	00-555705	Castor 60mm Swivel Braked	CASTORS - Braked
15	00-555704	Castor 60mm Swivel	CASTORS - Non-Braked
16	01-265364-01	Evaporator Coil 5 Row Black D88922	EVAPORATOR COIL
17	00-599687	Fan Motor 5133 Ring 10w 200mm	EVAPORATOR FAN - Motor
18	00-556297	Air Temp Probe SN4B15OP2	PROBE/SENSOR - Air
19	01-265362-01	Evaporator Drain Pan Alum FXT602	EVAPORATOR COIL - Drip Tray
20	00-556012	Door Switch 2 Circuit H3141CA (Lights Option Only)	SWITCH - Door/Fan

**MODELLO: TNE**

POSIZIONE	CODICE	DENOMINAZIONE	??
1	00-556223	Controller LAE AT1-5 BS6E-FS1	CONTROLLER
2	00-556004	Cam Lock Set	LOCK & KEEP SET
3	00-556018	Compressor FR7.5GX R134 230/50/1	COMPRESSOR
4	01-260158-01	Condenser Coil Eco D88905	CONDENSER COIL
5	15470032	Cond Fan Motor 5138 Grid Mount 5W	CONDENSER FAN - Motor
6	01-265480-01	Vapouriser Tray Alum FXT602	VAPORISER TRAY
7	01-265479-01	Vapouriser Heater Rear Cover FXT602	VAPORISER HEATER COVER
8	16031427	Unitcover 430 FXT602 Glass Door & No Light	UNITCOVER
9	01-264200-01	Gasket Full Door Black FXT 1546x608mm	DOOR - Gasket
10	16051234	Door S-S RH FXT602/1352	DOOR
11	01-265360-01	Ladderack Alum FXT602	LADDERACK
12	01-264098-01	Evaporator Fan Plate Alum FXT602	EVAPORATOR FAN - Plate
13	15271430	Shelf 650x530mm Grey 2/1 (Air Duct)	SHELF
14	00-555705	Castor 60mm Swivel Braked	CASTORS - Braked
15	00-555704	Castor 60mm Swivel	CASTORS - Non-Braked
16	01-265066-01	Evaporator Coil 3 Row Coated D88323	EVAPORATOR COIL
17	00-599687	Fan Motor 5133 Ring 10w 200mm	EVAPORATOR FAN - Motor
18	00-556297	Air Temp Probe SN4B15OP2	PROBE/SENSOR - Air
19	01-265362-01	Evaporator Drain Pan Alum FXT602	EVAPORATOR COIL - Drip Tray
20	00-556012	Door Switch 2 Circuit H3141CA (Lights Option Only)	SWITCH - Door/Fan