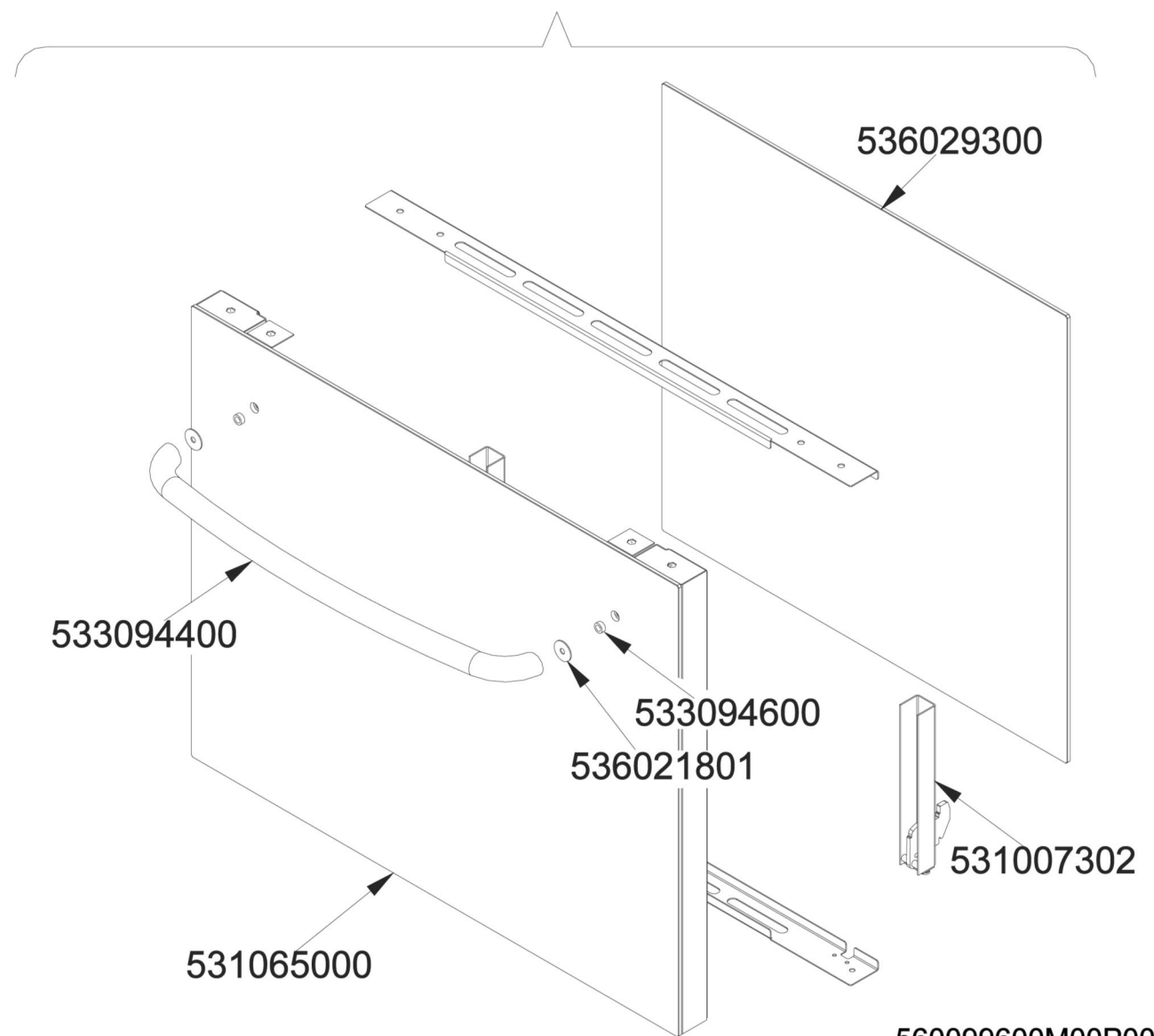
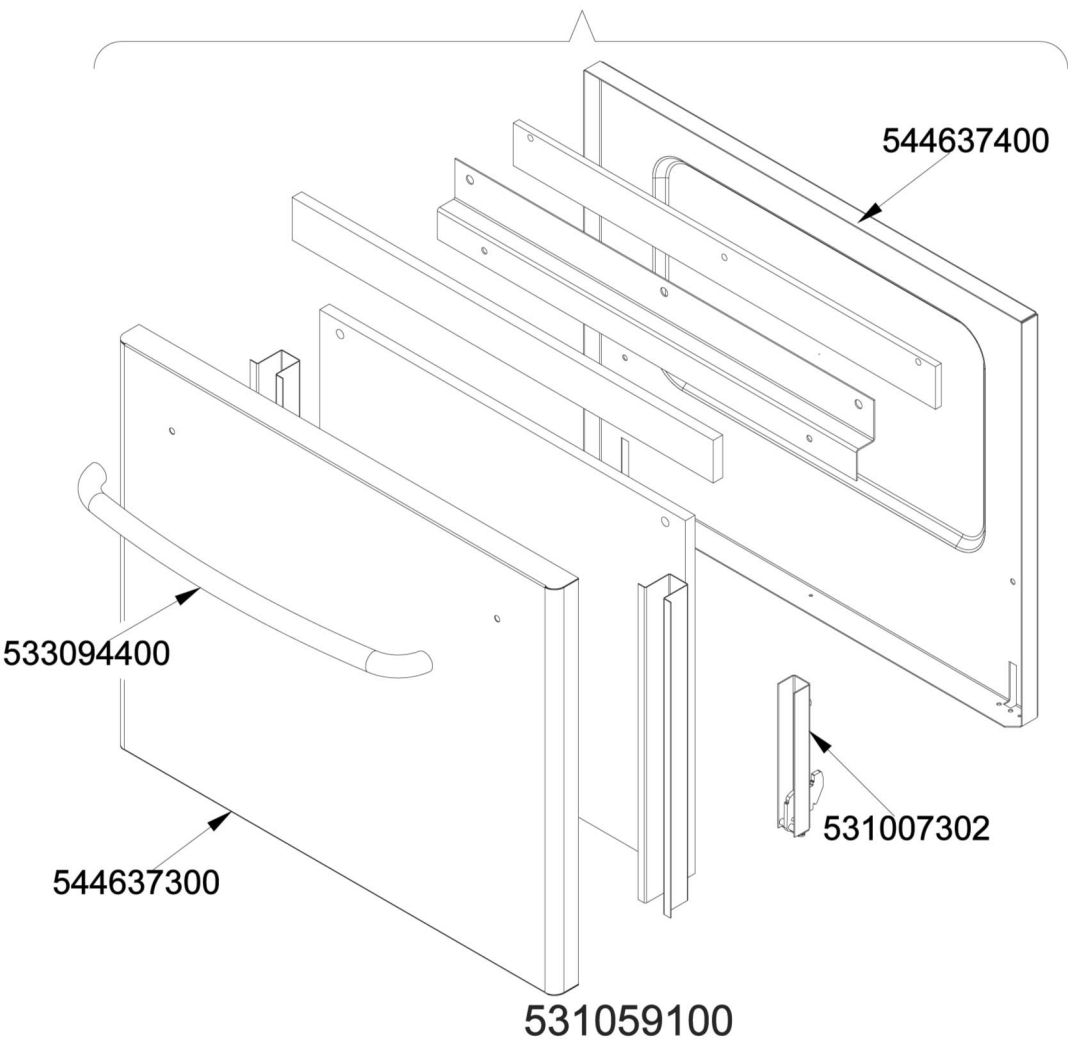
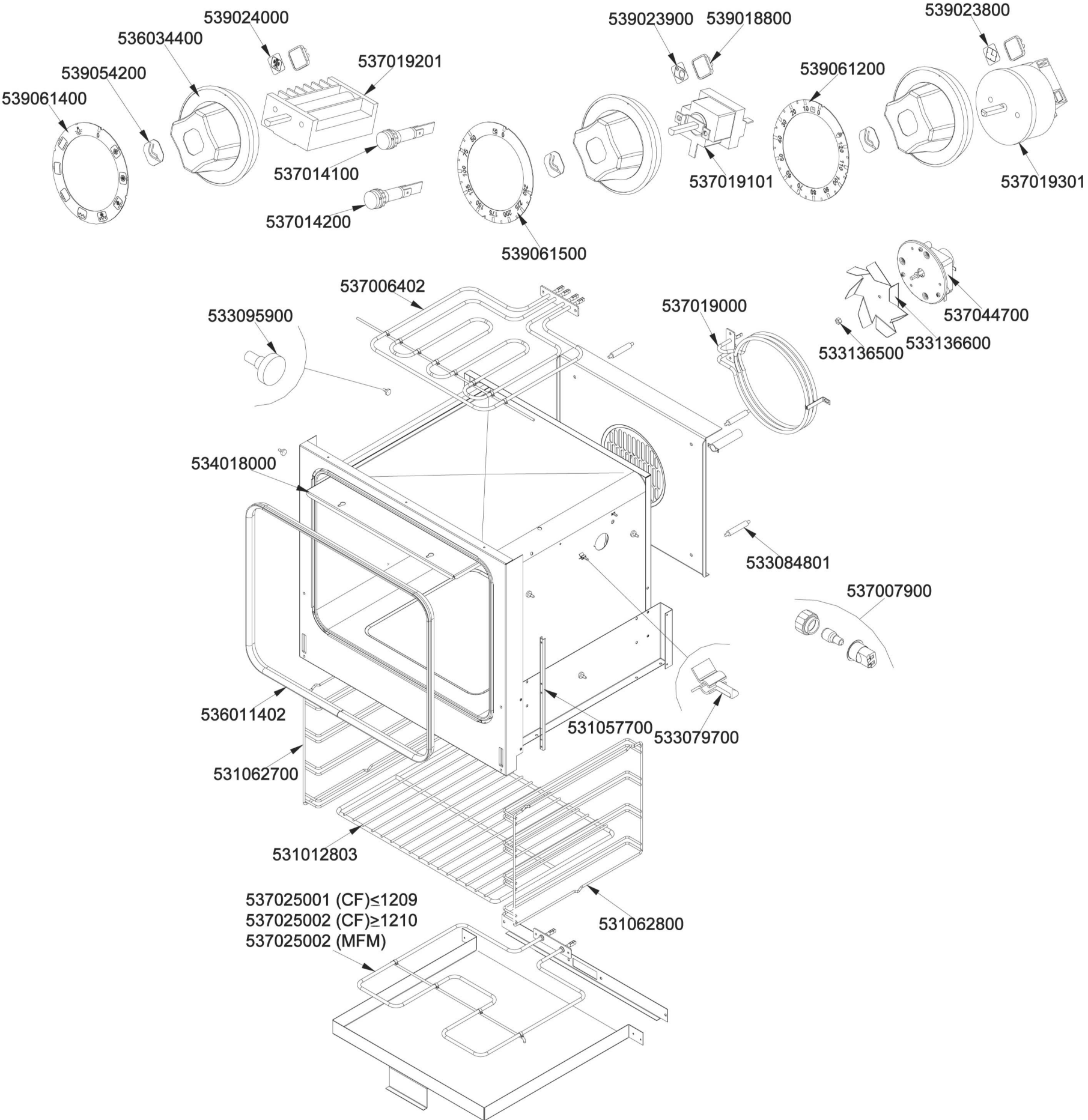
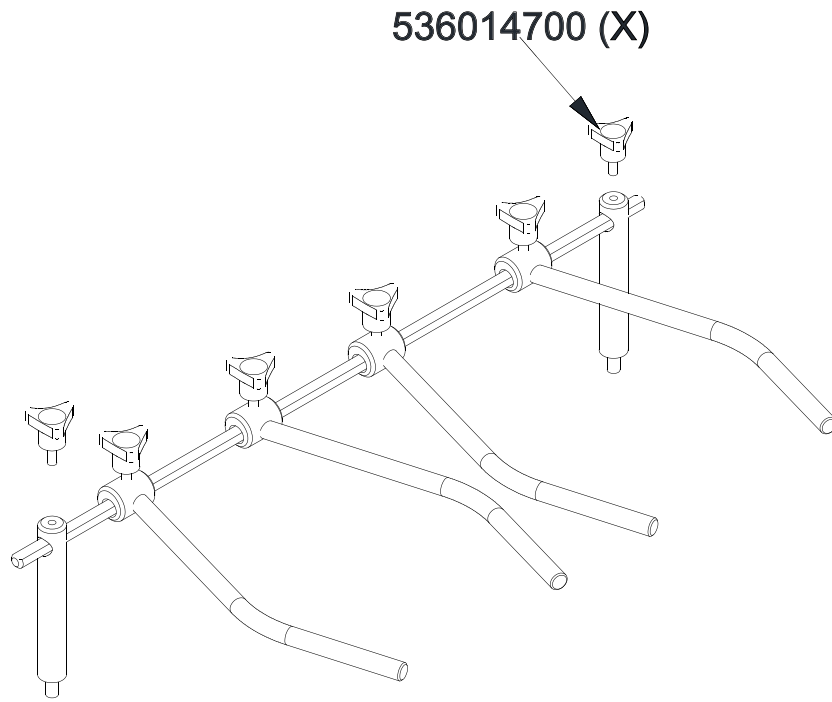


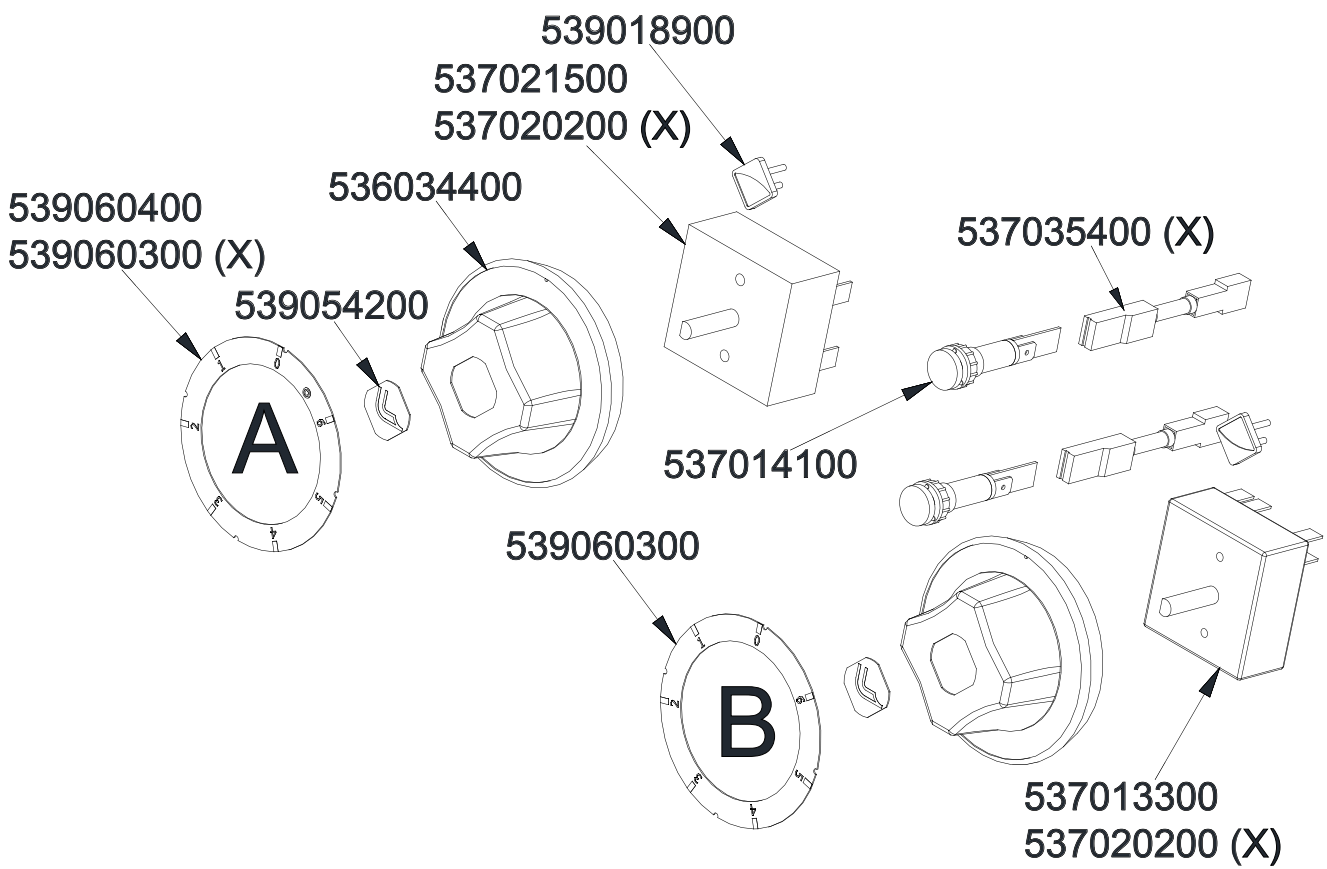
531033601







536014700 (X)



539060400
539060300 (X)

539054200

536034400

539018900

537021500

537020200 (X)

537035400 (X)

537014100

539060300

537013300

537020200 (X)

560095000M02P00

Page	Pos	Code	Description
001		541212700	GLASS UPPER PLATE FOR PCCT-66E
001		537037901	RADIATION HEATER Ø200 230V
001		537020001	REMAINING HEAT 4 PILOT LIGHTS UNIT
001		544540300	
001		541194100	CONTROL PANEL 607090 CF4-6 6 E
001		537014501	RADIATION HEATER Ø165 1200W 230V
001		537027400	TERMINAL BLOCK THREEPHASE 40A
001		544540200	
001		531048400	INOX LEG Ø1"3/4 100-165 M10
002		531033601	STAINLESS STEEL COMPL.OVEN DOOR 60
002		544637400	INNER DOOR OF MINI OVEN OF 60T-LINE
002		533094400	S/S OVEN DOOR HANDLE FOR 60T-LINE
002		544637300	S/S DOOR FOR MINI OVEN OF 60T LINE
002		531007302	DOOR HINGE FOR MAXI OVEN 60.LINE
002		531059100	COMPLETE OVEN GLASS DOOR FOR NEW 60
002		536029300	INTERNAL GLASS FOR OVEN DOOR MINI
002		533094600	BUSH P.F. 60-LINE
002		536021801	DOOR HANDLE SPACER FOR MAXI OVEN
002		531065000	EXTERNAL GLASS MINI OVEN DOOR+FRAME
003		539061400	ADESIVE DISK FOR SWITCH OVEN S60
003		539054200	STAMP Ø20,5 CR."L" LOTUS R.
003		536034400	KNOB §77 4P. §06*4,6 C/M
003		539024000	SIGN PLATE FOR OVEN SELECTOR
003		537019201	OVEN COMMUTATOR MULTIF.60+65
003		539023900	SIGN PLATE FOR OVEN TEMPERATURE
003		539018800	BLANK INDEX FOR KNOB
003		539023800	LABEL FOR OVEN TIMER
003		539061200	ADHESIV.DISK FOR TYMER EL. OVEN
003		537019301	TIMER ELECT.120' 4 T.F. MF
003		537019101	THERMOSTAT MONOPHAS.050-320°C F.MF
003		537014100	WHITE WARNING LIGHT 250V
003		537014200	GREEN WARNING LIGHT 250V
003		539061500	ADESIVE DISK OVEN THERMOSTAT S60
003		533095900	PIN FOR GRIDSHOLDER SUPPORT CF 60
003		537006402	OVEN ELEMENT * 62 SUP. 2500W 230V
003		537019000	CIRCULAR HEATING ELEMENT FOR OVEN
003		533136500	NUT FOR FAN S60T
003		533136600	OVEN MOTOR OF S60T
003		537044700	S60/65/60T MOTORFAN
003		534018000	HANDLES PROTECTION FOR CF-62
003		533084801	PANEL SPACER OF AIR DIFF.MAXI OVEN
003		537007900	OVEN BULB-SOCKET WITH LAMP
003		536011402	OVEN GASKET CF-62
003		531057700	DOOR WHEEL HOLDER F.MAXI OVEN 60T
003		533079700	LOCK SPRING FOR BULB §3/§4
003		531062700	LHD GRIDS HOLDER FOR MINI-OVEN
003		531012803	OVEN GRID CF-62E
003		537025001	OVEN HEATING EL.W1600 V230 62
003		537025002	HEATING ELEMENT 1600W 230V
003		531062800	RHD GRIDS HOLDER FOR MINI-OVEN
004		536014700	3 DRILL WHEELS

Page	Pos	Code	Description
004		539018900	INDEX FOR KNOB W/RED SIGN
004		537021500	REGULATOR FOR EL.PLATE 2CIRC.230V
004		536034400	KNOB \$77 4P. \$06*4,6 C/M
004		539060400	RED ADESIVE DISK FOR PCC-E
004		537035400	HEATING ELEMENT 00003W 330KOHM W/F
004		539054200	STAMP Ø20,5 CR."L" LOTUS R.
004		537014100	WHITE WARNING LIGHT 250V
004		539060300	RED ADESIVE DISK FOR PCC/PCI-E
004		537013300	CURRENT REGULATOR FOR ELEC. PLATE