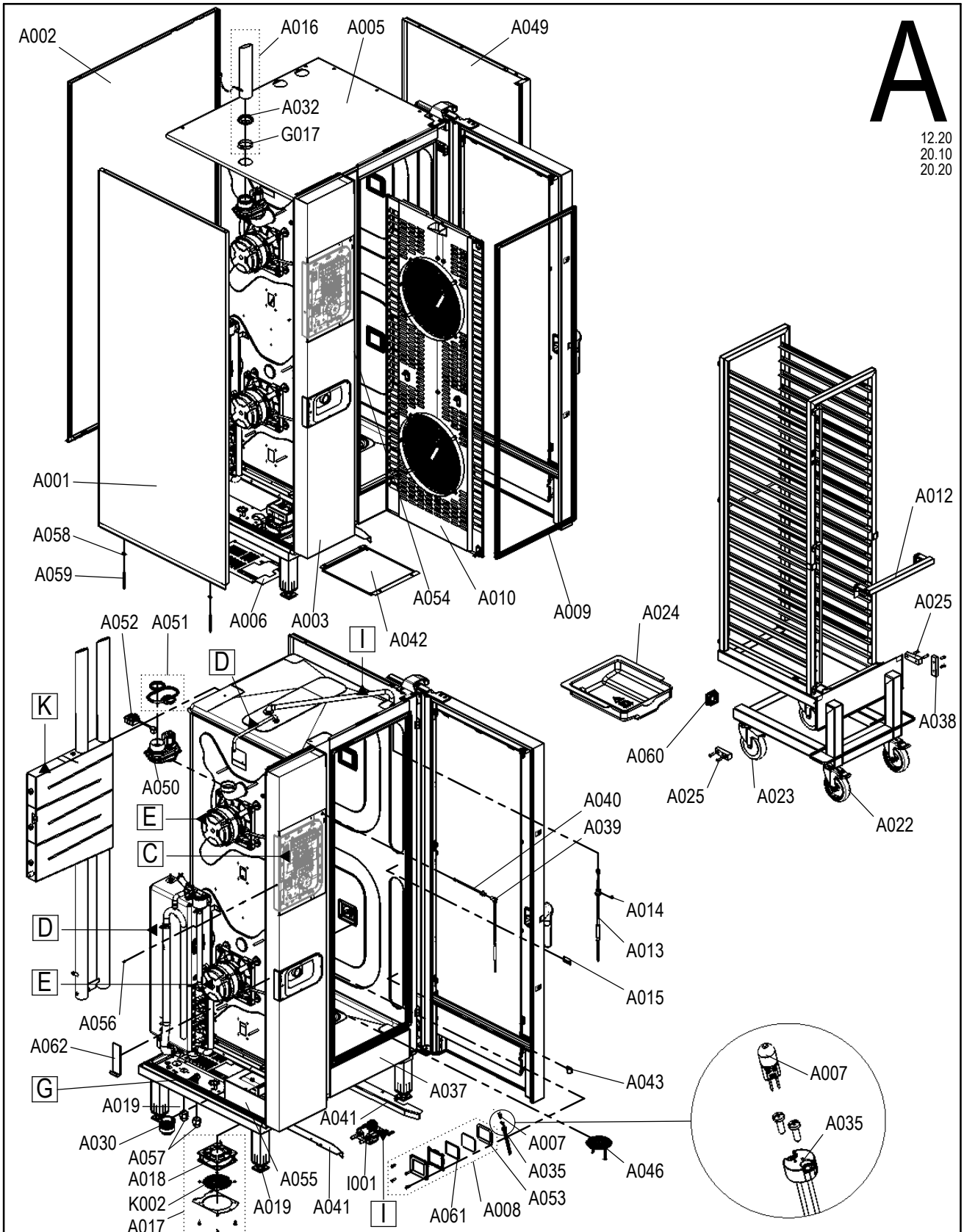


**CONVOTHERM** Ersatzteilzchnng. Außengehäuse Standgeräte Convotherm4  
 Spare part drawing outer casing floor units Convotherm4

ETZ A - AG 567 P4

**A**

12.20  
 20.10  
 20.20

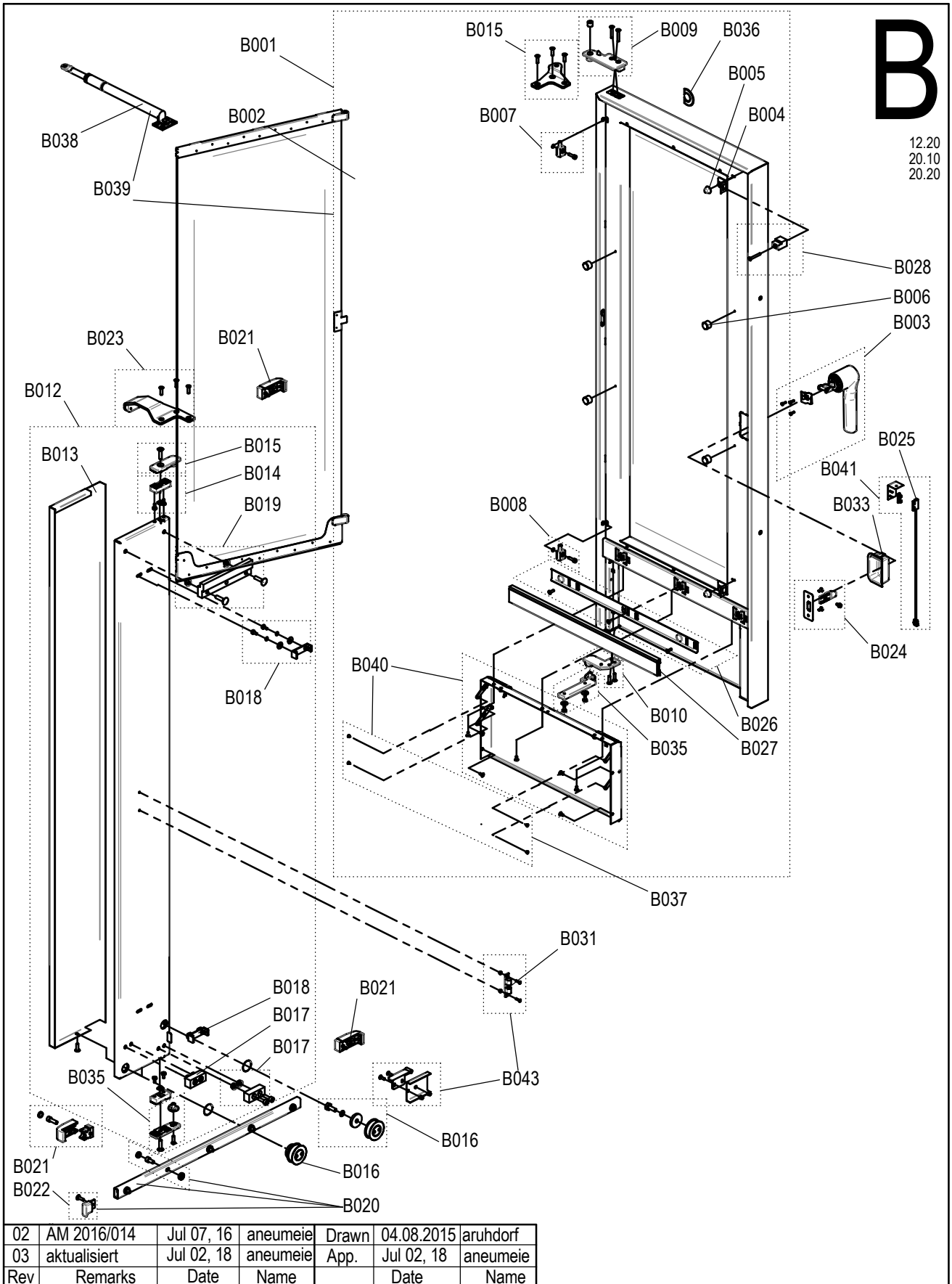


Laufende Verbesserungen des Produkts können Änderungen der Spezifikationen ohne expliziten Hinweis bedingen. Continuous improvements to the product may mean changes to the specification are made without explicit mention. 9665008\_09 Jul 16, 18 © 2018

08	aktualisiert	Jul 03, 18	aneumeie	Drawn	Aug 18, 15	aruhdorf
09	aktualisiert	Jul 16, 18	aneumeie	App.	Jul 16, 18	aneumeie
Rev	Remarks	Date	Name		Date	Name

**B**

12.20  
20.10  
20.20



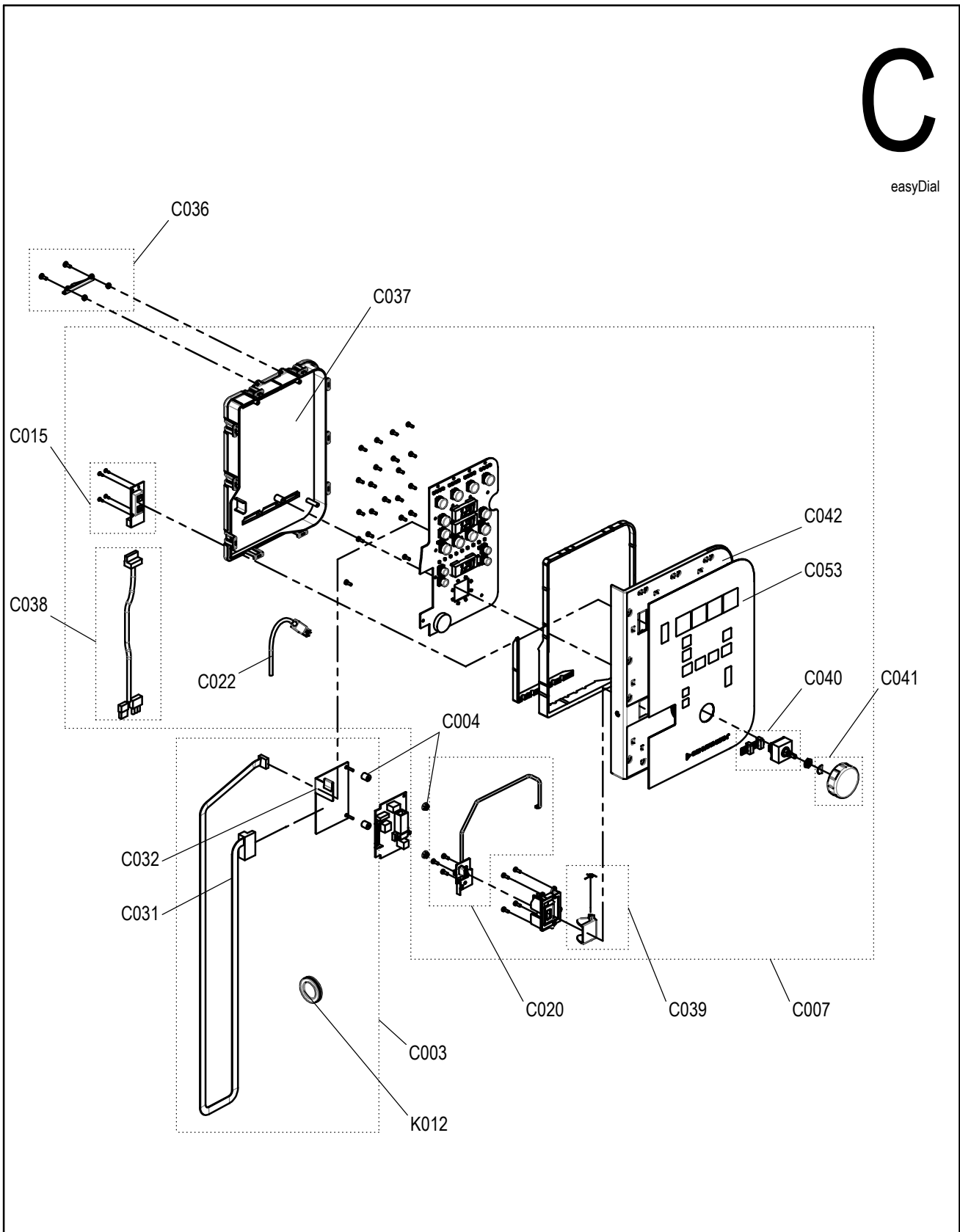
Laufende Verbesserungen des Produkts können Änderungen der Spezifikationen ohne expliziten Hinweis bedingen. Continuous improvements to the product may mean changes to the specification are made without explicit mention.  
9965003\_03 Jul 27, 15.Jul 02, 18 © 2018

02	AM 2016/014	Jul 07, 16	aneumeie	Drawn	04.08.2015	aruhdorf
03	aktualisiert	Jul 02, 18	aneumeie	App.	Jul 02, 18	aneumeie
Rev	Remarks	Date	Name		Date	Name



**C**

easyDial



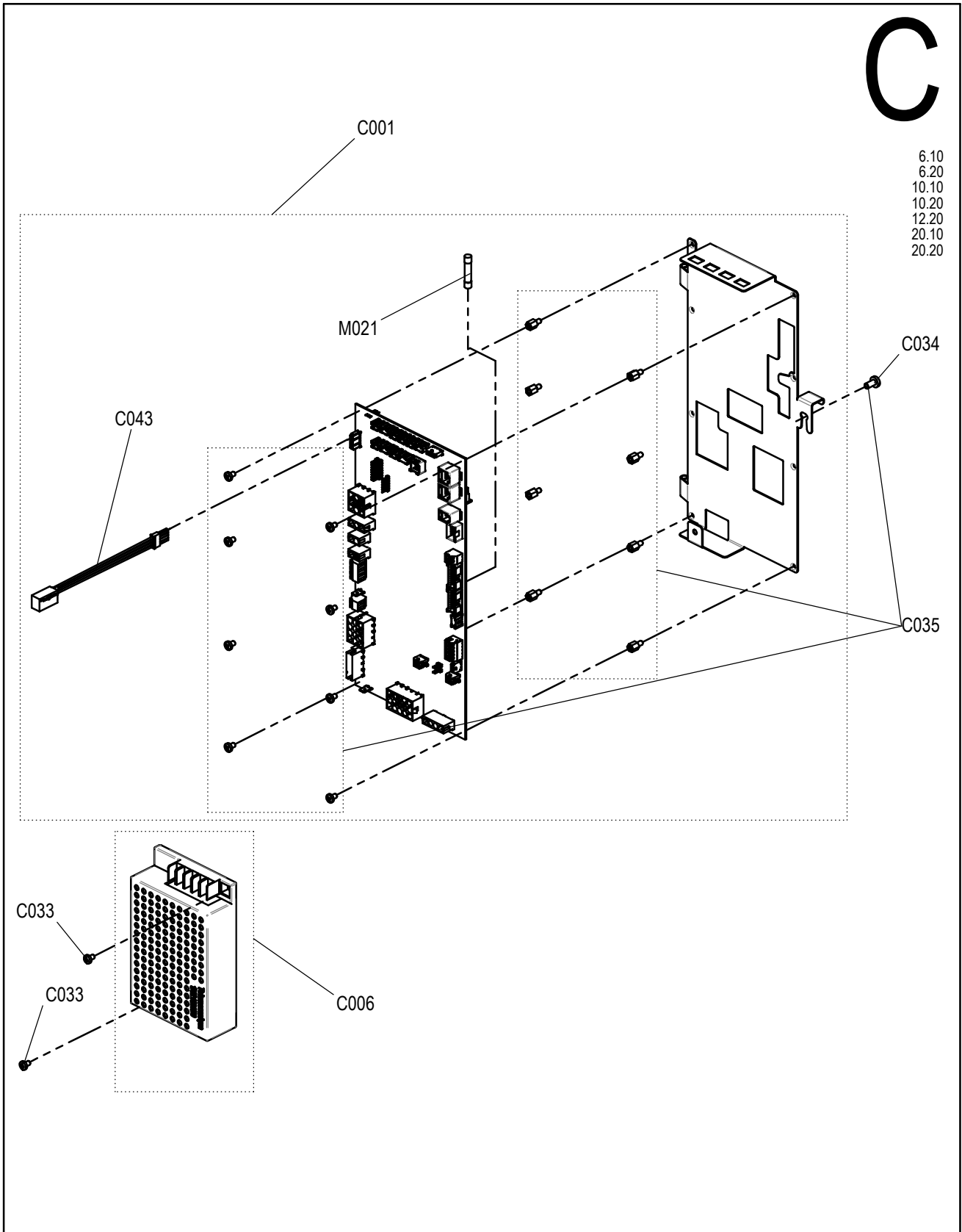
02	AM 2017/075	Oct 18, 17	hshweig	Drawn	Aug 31, 15	aruhdorf
03	aktualisiert	Jan 07, 20	aneumeie	App.	Jan 07, 20	aneumeie
Rev	Remarks	Date	Name		Date	Name

Laufende Verbesserungen des Produkts können Änderungen der Spezifikationen ohne expliziten Hinweis bedingen. Continuous improvements to the product may mean changes to the specification are made without explicit mention.  
9865010\_03 Jan 07, 20 © 2019

**C**

6.10  
6.20  
10.10  
10.20  
12.20  
20.10  
20.20

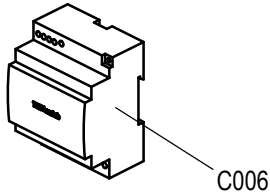
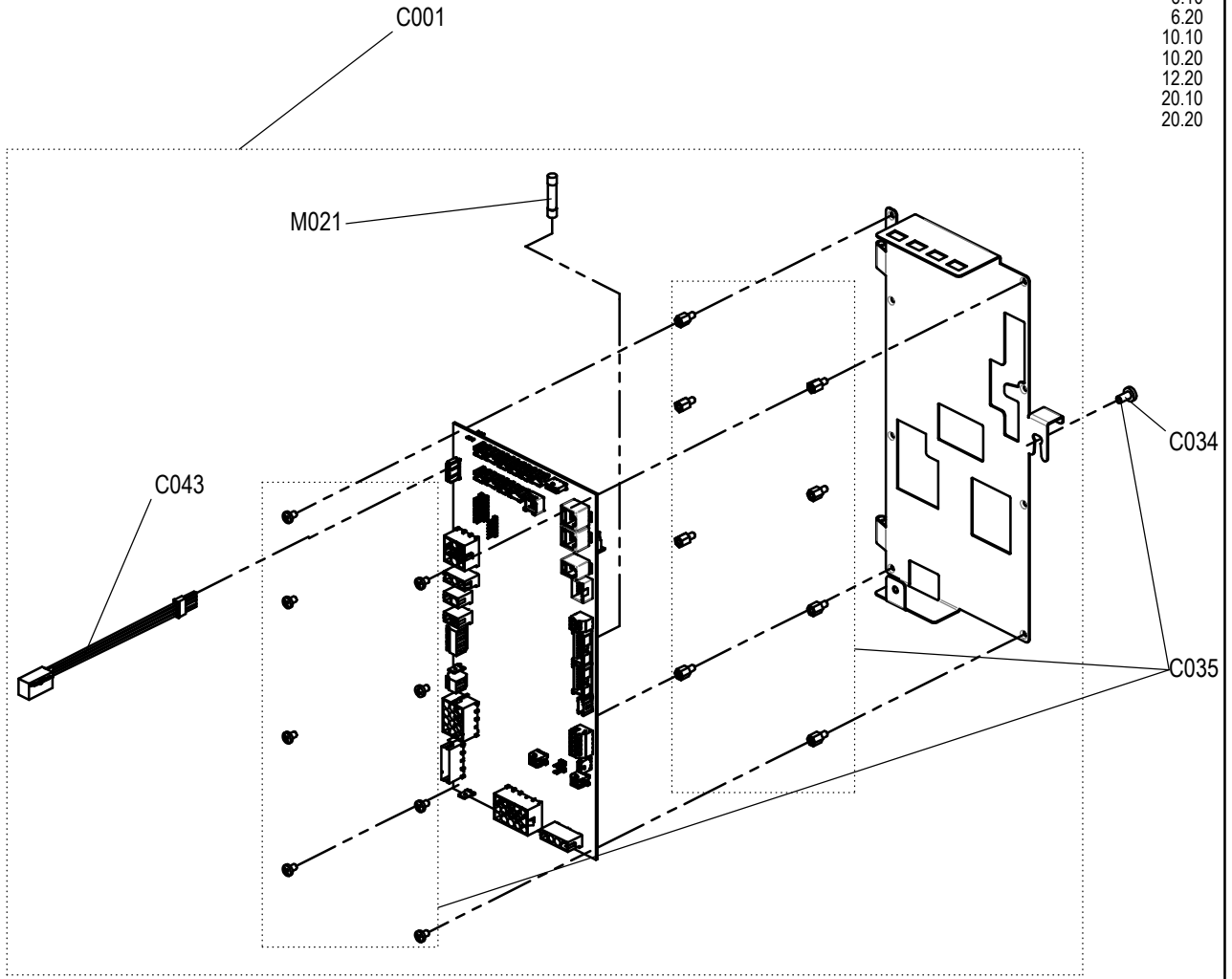
Laufende Verbesserungen des Produkts können Änderungen der Spezifikationen ohne expliziten Hinweis bedingen. Continuous improvements to the product may mean changes to the specification are made without explicit mention.  
9665011\_00 Nov 05, 15 © 2018



00	Z-Freigabe	Nov 05, 15	tfekete	Drawn	02.09.2015	aruhdorf
Rev	Remarks	Date	Name	App.	Nov 05, 15	tfekete

**C**

6.10  
6.20  
10.10  
10.20  
12.20  
20.10  
20.20

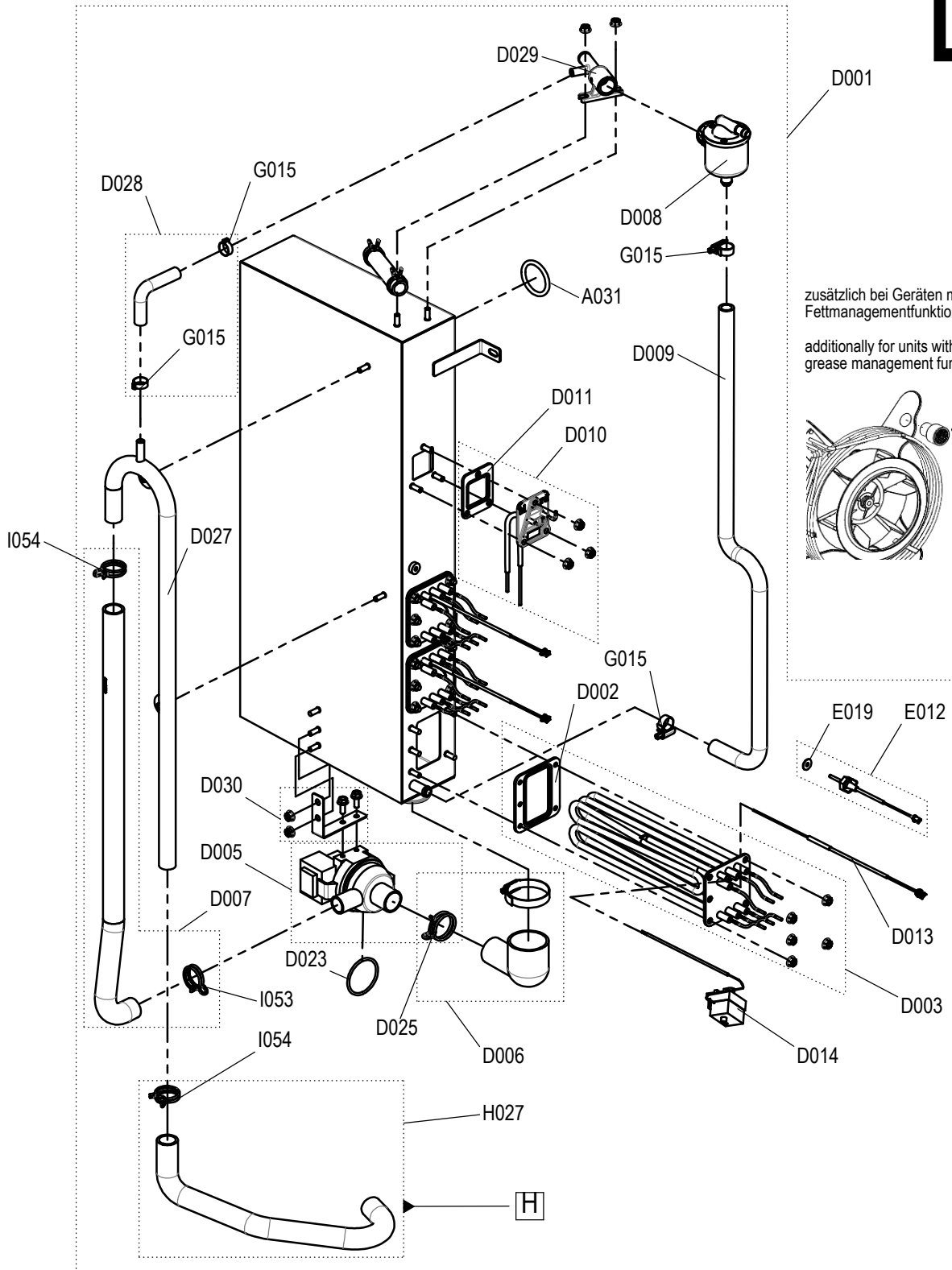


Laufende Verbesserungen des Produkts können Änderungen der Spezifikationen ohne expliziten Hinweis bedingen. Continuous improvements to the product may mean changes to the specification are made without explicit mention.  
9965012\_00 Nov 05, 15 © 2018

00	Z-Freigabe	Nov 05, 15	tfekete	Drawn	02.09.2015	aruhdorf
Rev	Remarks	Date	Name	App.	Nov 05, 15	tfekete

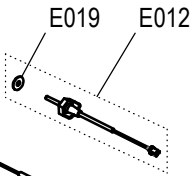
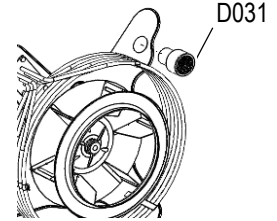


D



- 6.10 EB
- 6.20 EB
- 10.10 EB
- 10.20 EB
- 12.20 EB
- 20.10 EB
- 20.20 EB

zusätzlich bei Geräten mit  
Fettmanagementfunktion  
additionally for units with  
grease management function



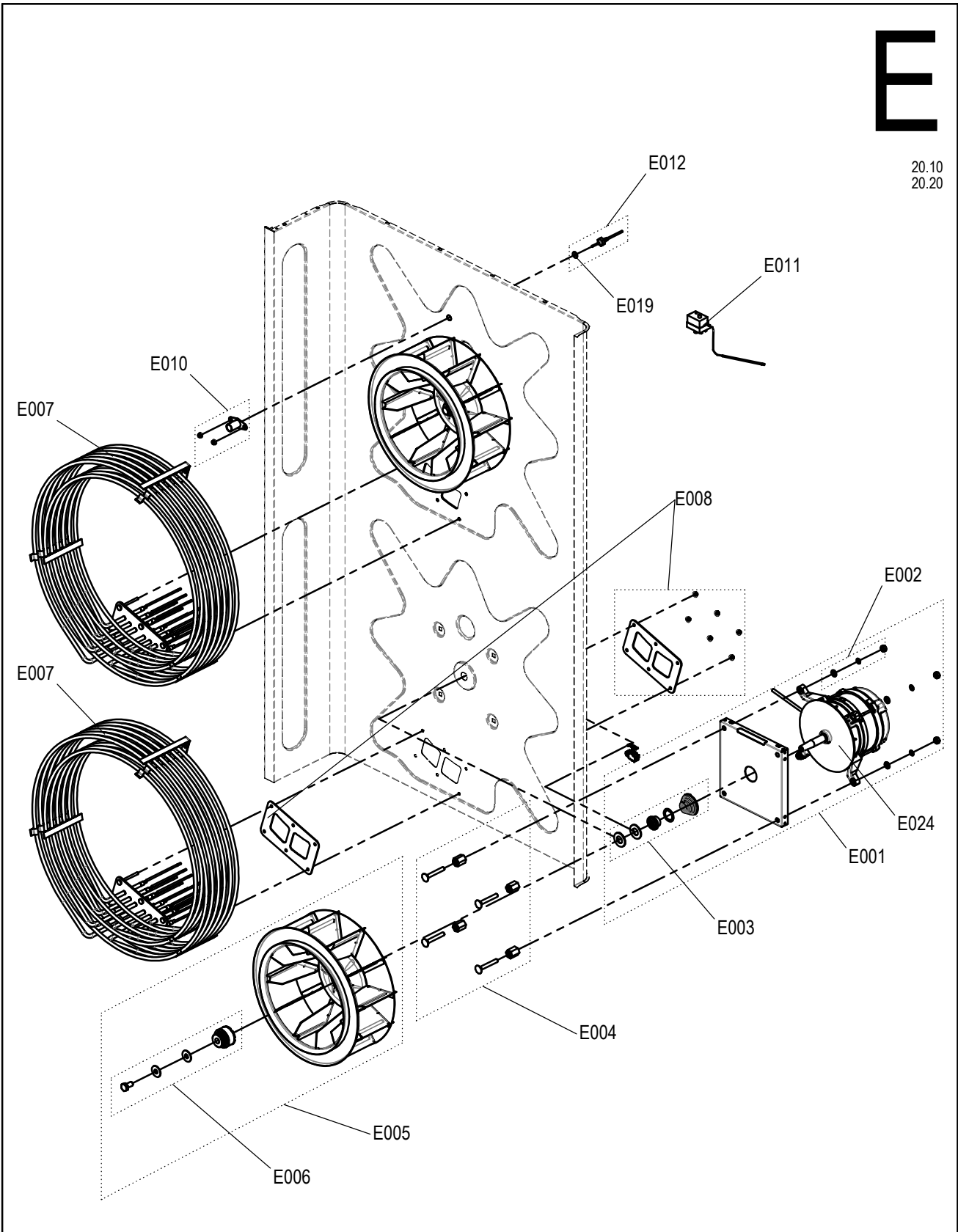
04	Pos. D023 hinzu	Jul 25, 17	aneumeie	Drawn	16.10.2015	aruhdorf
05	aktualisiert	Jul 02, 18	aneumeie	App.	Jul 02, 18	aneumeie
Rev	Remarks	Date	Name		Date	Name

Laufende Verbesserungen des Produkts können Änderungen der Spezifikationen ohne expliziten Hinweis bedingen. Continuous improvements to the product may mean changes to the specification are made without explicit mention.  
 9965025\_05 Jul 02, 18 © 2018



E

20.10  
20.20



Laufende Verbesserungen des Produkts können Änderungen der Spezifikationen ohne expliziten Hinweis bedingen. Continuous improvements to the product may mean changes to the specification are made without explicit mention. 9965023\_03 Jul 02, 18 © 2018

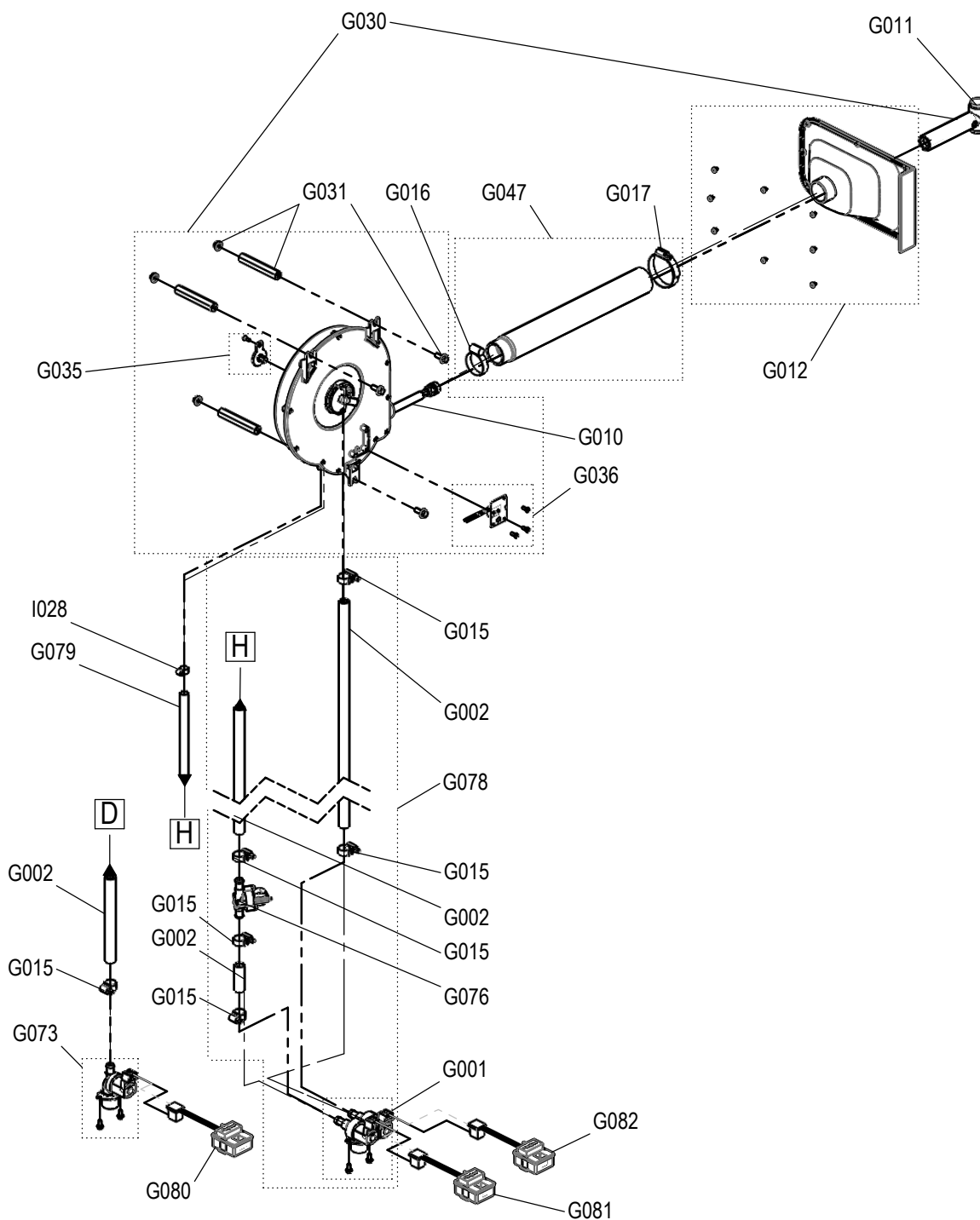
02	AM 2016/014	Jul 07, 16	aneumeie	Drawn	08.10.2015	aruhdorf
03	aktualisiert	Jul 02, 18	aneumeie	App.	Jul 02, 18	aneumeie
Rev	Remarks	Date	Name		Date	Name





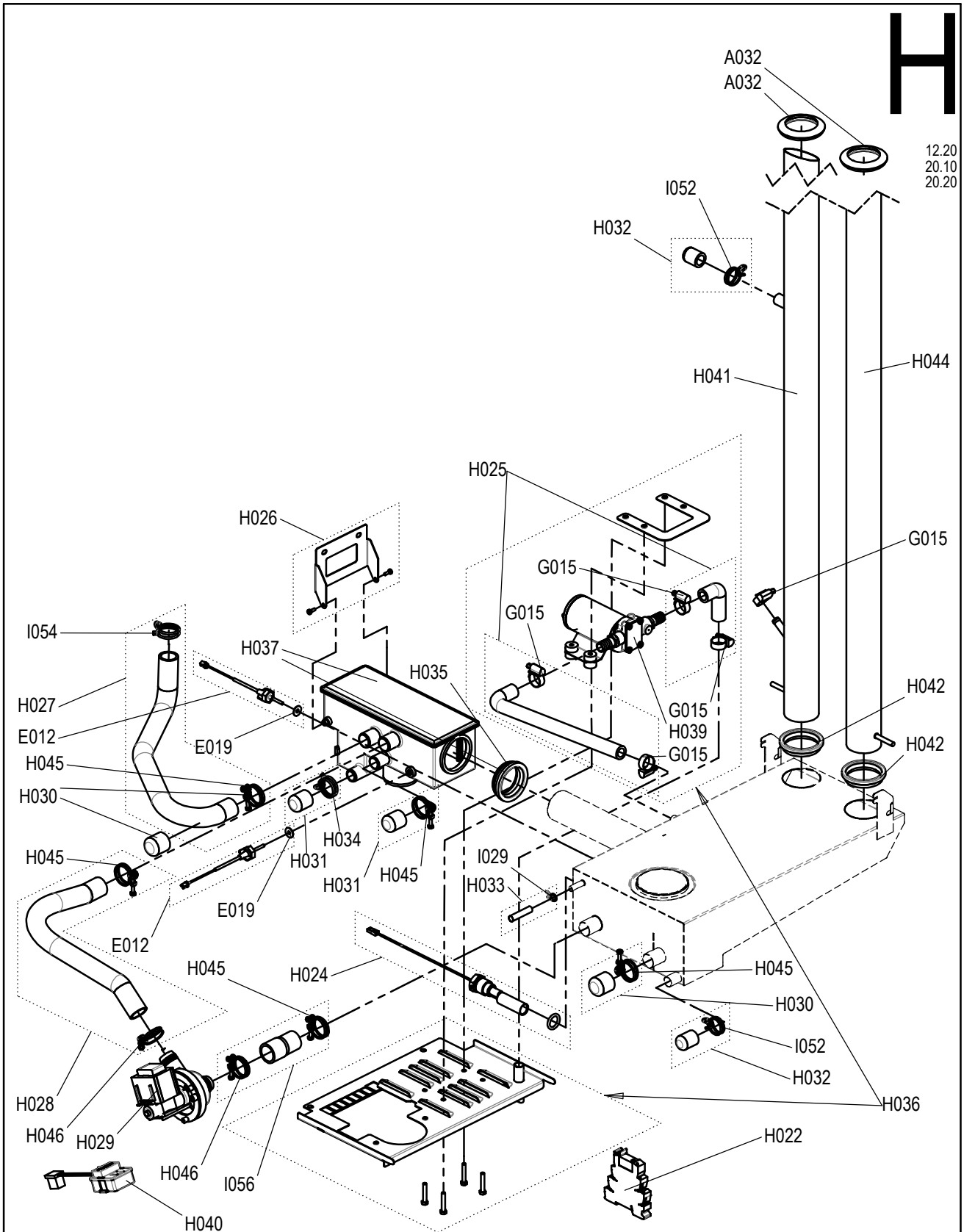
**G**

12.20  
10.20  
20.20



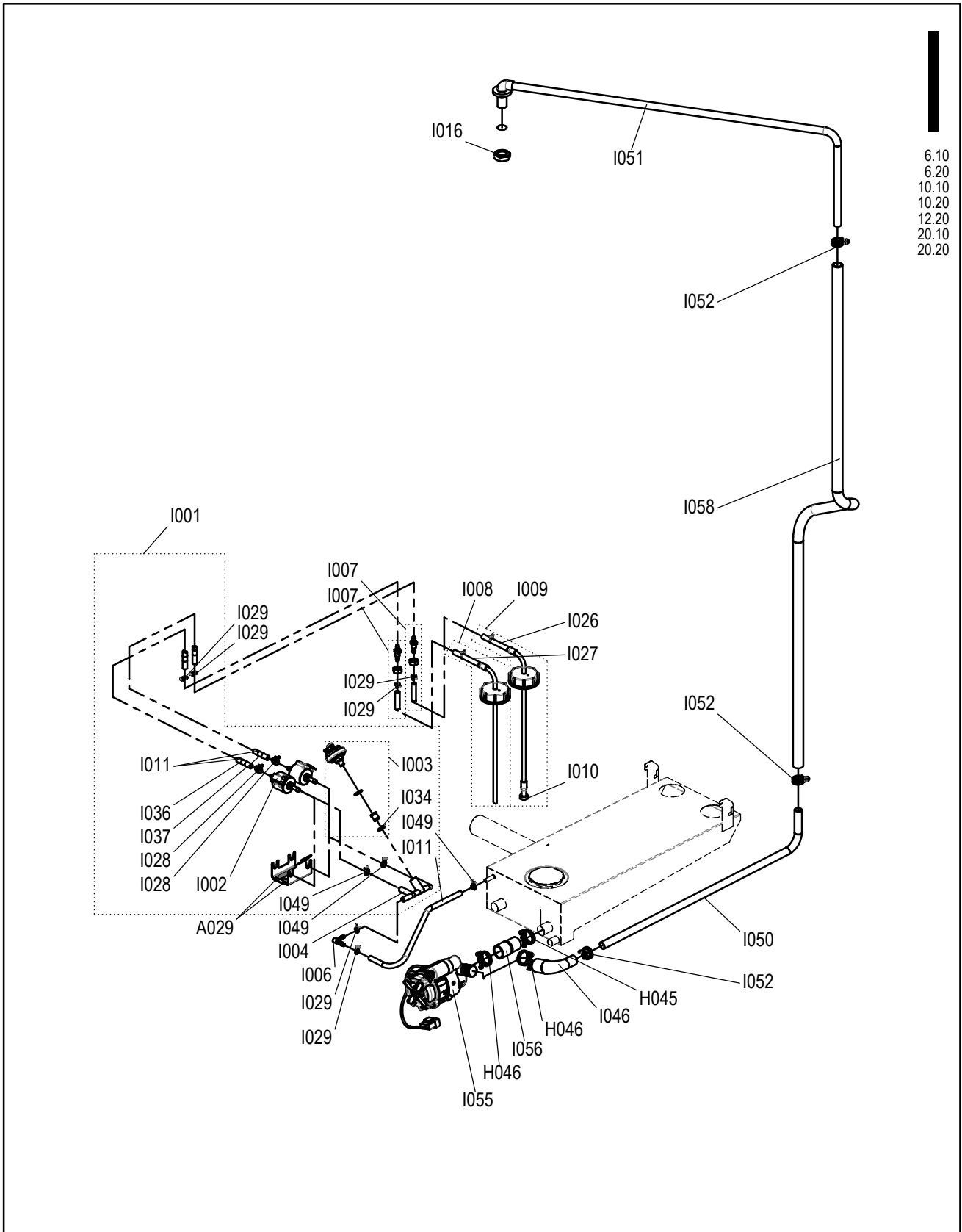
03	aktualisiert	Jul 03, 18	aneumeie	Drawn	30.07.2015	aruhdorf
04	aktualisiert	Feb 01, 19	aneumeie	App.	Feb 01, 19	aneumeie
Rev	Remarks	Date	Name		Date	Name





02	AM 2017/050	Jul 18, 17	aneumeie	Drawn	Sep 03, 15	aruhdorf
03	aktualisiert	Jul 03, 18	aneumeie	App.	Jul 03, 18	aneumeie
Rev	Remarks	Date	Name		Date	Name

Laufende Verbesserungen des Produkts können Änderungen der Spezifikationen ohne expliziten Hinweis bedingen. Continuous improvements to the product may mean changes to the specification are made without explicit mention.  
9965014\_03 Jul 03, 18 © 2018

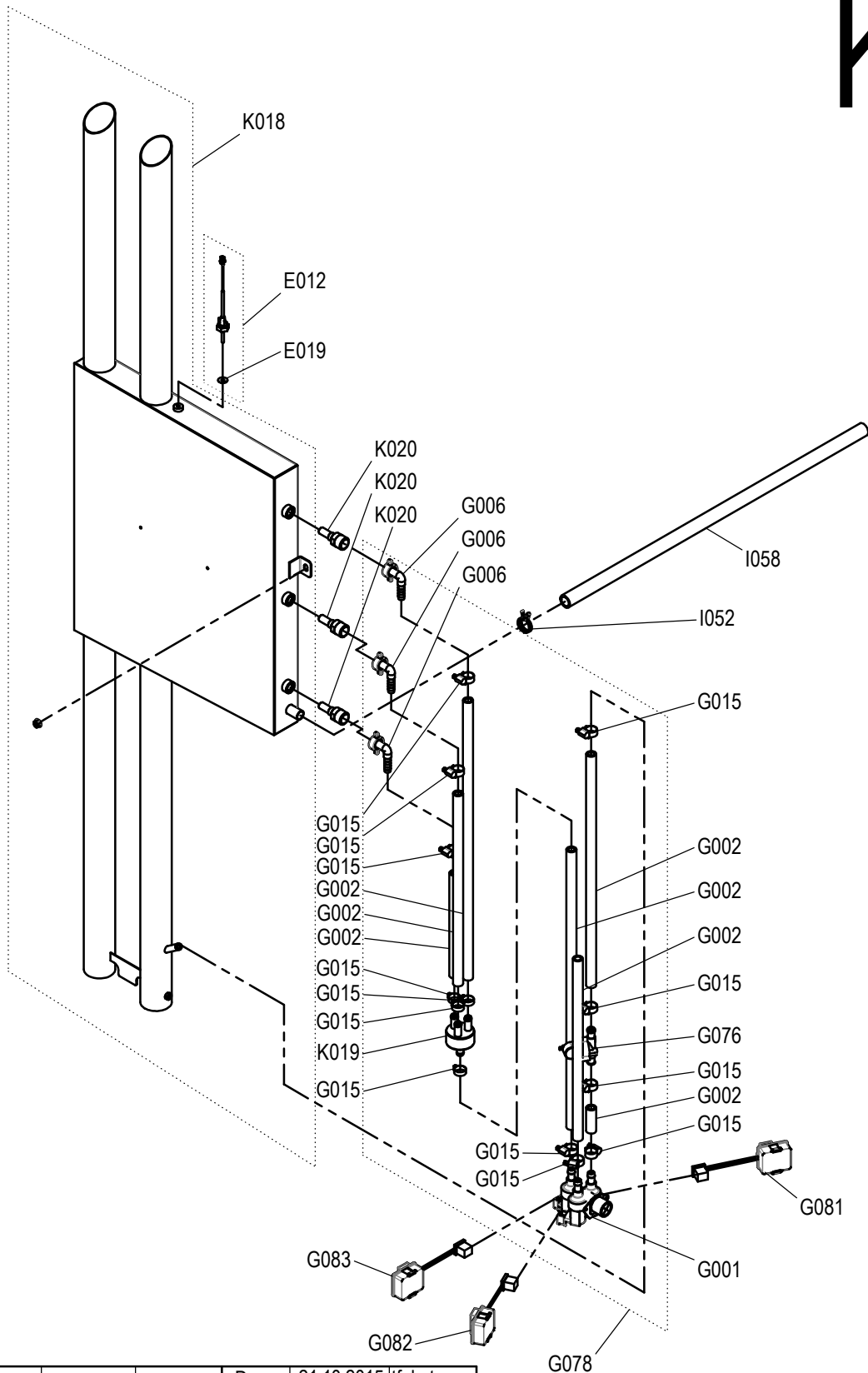


Laufende Verbesserungen des Produkts können Änderungen der Spezifikationen ohne expliziten Hinweis bedingen. Continuous improvements to the product may mean changes to the specification are made without explicit mention.  
9965004\_03 Jul 27, 15.Jul 18, 17 © 2018

02	AM 2016/014	Jul 07, 16	aneumeie	Drawn	Aug 04, 15	aruhdorf
03	AM 2017/050	Jul 18, 17	aneumeie	App.	Jul 18, 17	aneumeie
Rev	Remarks	Date	Name		Date	Name

**K**

6.10  
6.20  
10.10  
10.20  
12.20  
20.10  
20.20



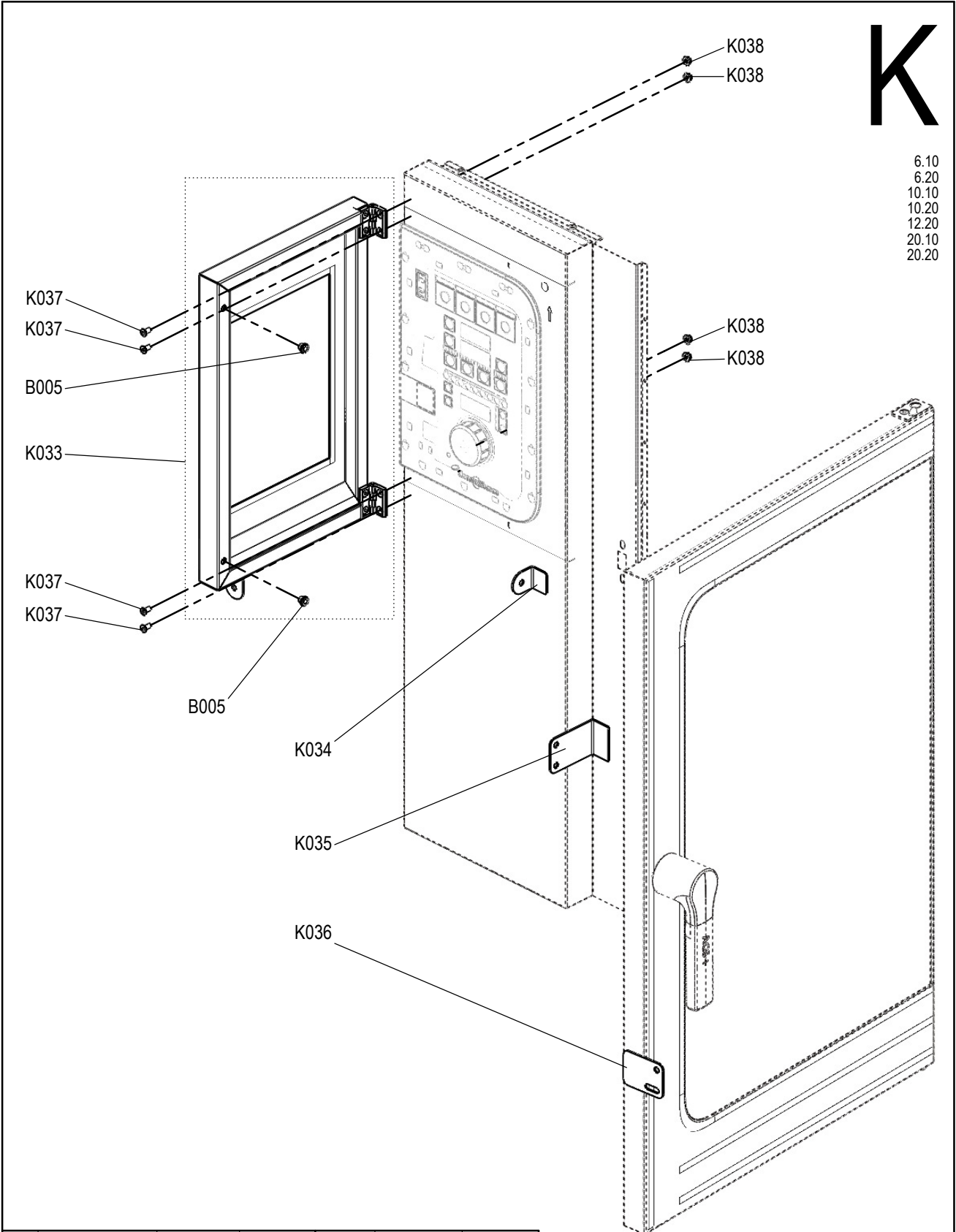
				Drawn	21.10.2015	tfekete
00	Z-Freigabe	Nov 09, 15	aruhdorf	App.	Nov 09, 15	aruhdorf
Rev	Remarks	Date	Name		Date	Name

Laufende Verbesserungen des Produkts können Änderungen der Spezifikationen ohne expliziten Hinweis bedingen. Continuous improvements to the product may mean changes to the specification are made without explicit mention.  
 9965029\_00 Nov 09, 15 © 2018



K

6.10  
6.20  
10.10  
10.20  
12.20  
20.10  
20.20



Laufende Verbesserungen des Produkts können Änderungen der Spezifikationen ohne expliziten Hinweis bedingen. Continuous improvements to the product may mean changes to the specification are made without explicit mention.  
9965027\_00 Nov 11, 15 © 2018

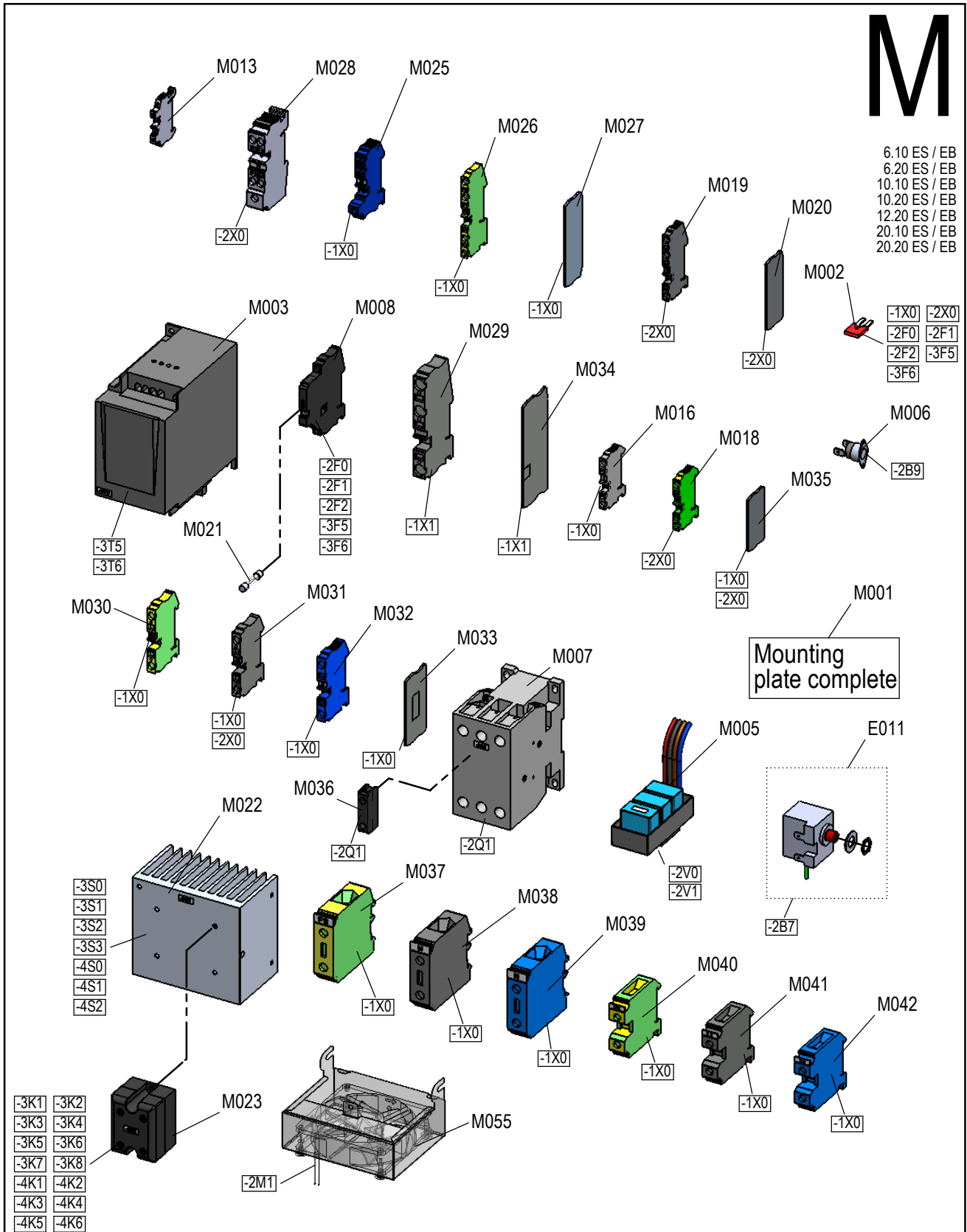
00	Z-Freigabe	Nov 11, 15	tfekete	Drawn	Nov 10, 15	aruhdorf
Rev	Remarks	Date	Name	App.	Nov 11, 15	tfekete



# M

6.10 ES / EB  
6.20 ES / EB  
10.10 ES / EB  
10.20 ES / EB  
12.20 ES / EB  
20.10 ES / EB  
20.20 ES / EB

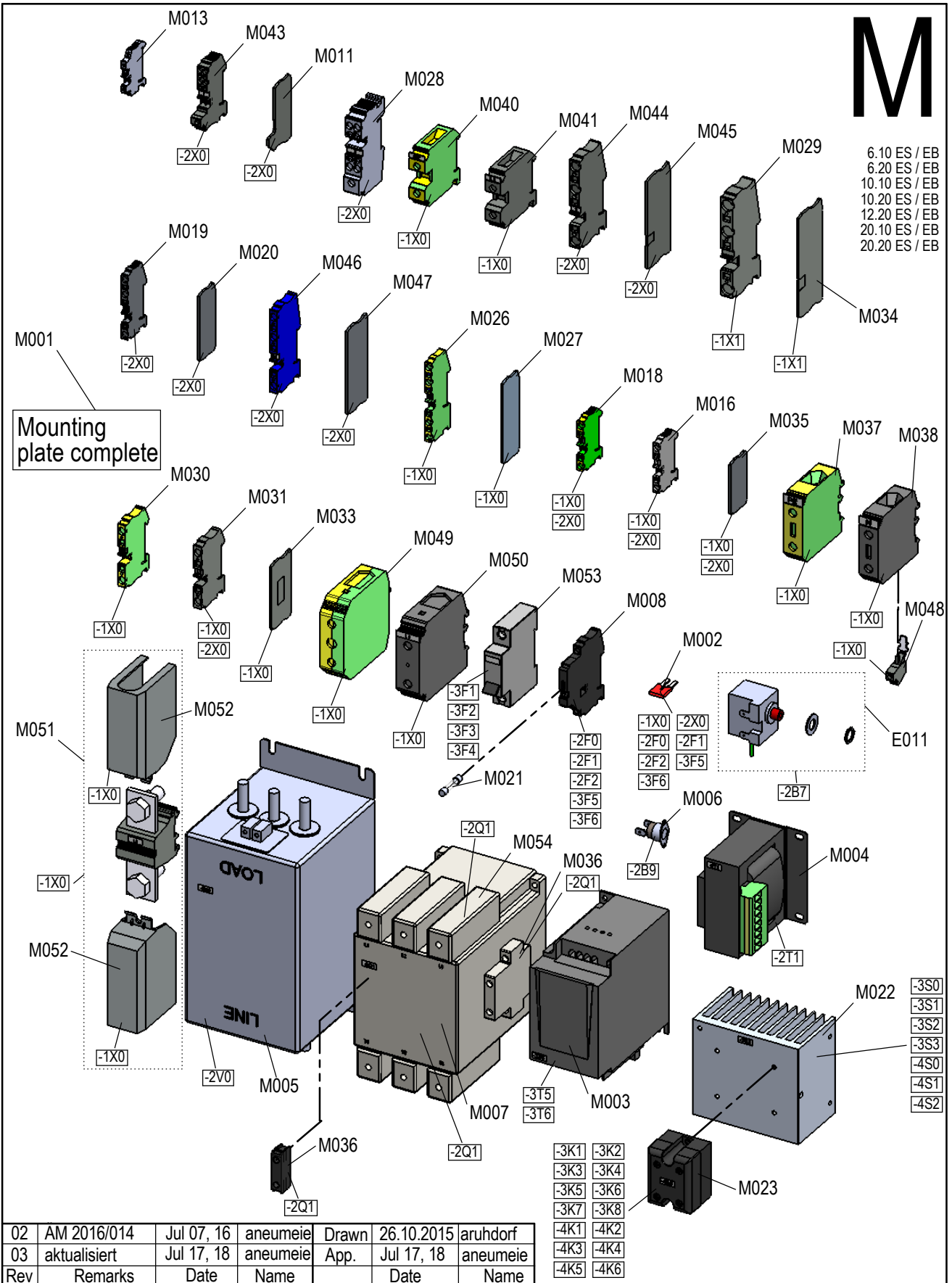
Laufende Verbesserungen des Produkts können Änderungen der Spezifikationen ohne expliziten Hinweis bedingen. Continuous improvements to the product may mean changes to the specification are made without explicit mention.



02	AM 2018/017	Mar 12, 18	aneumeie	Drawn	21.10.2015	aruhdorf
03	aktualisiert	Jul 17, 18	aneumeie	App.	Jul 17, 18	aneumeie
Rev	Remarks	Date	Name		Date	Name

# M

- 6.10 ES / EB
- 6.20 ES / EB
- 10.10 ES / EB
- 10.20 ES / EB
- 12.20 ES / EB
- 20.10 ES / EB
- 20.20 ES / EB



Laufende Verbesserungen des Produkts können Änderungen der Spezifikationen ohne expliziten Hinweis bedingen. Continuous improvements to the product may mean changes to the specification are made without explicit mention. 9965017\_03 © 2015 Manitowoc.

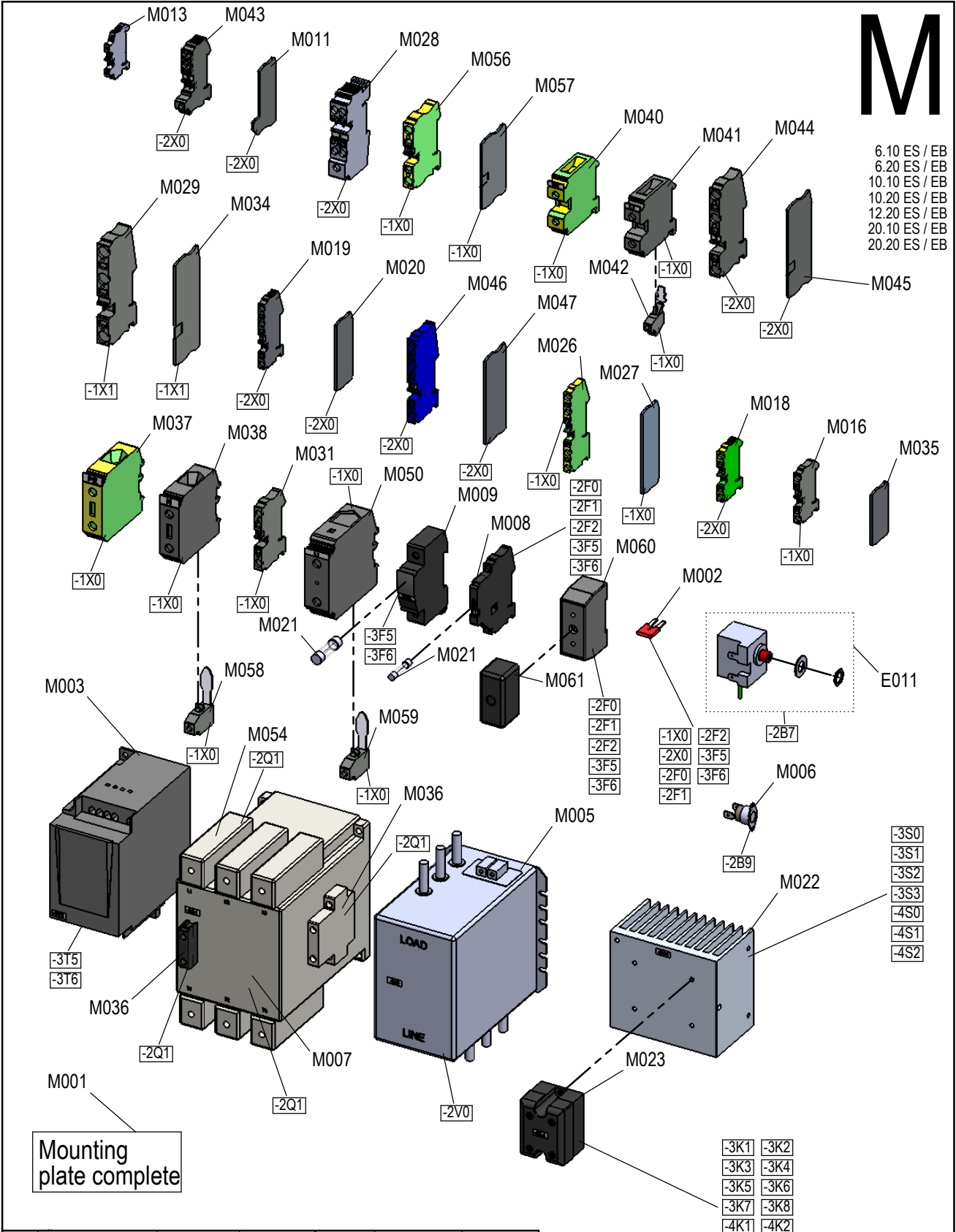
Rev	Remarks	Date	Name	Drawn	Date	Name
02	AM 2016/014	Jul 07, 16	aneumeie	Drawn	26.10.2015	aruhdorf
03	aktualisiert	Jul 17, 18	aneumeie	App.	Jul 17, 18	aneumeie



# M

6.10 ES / EB  
6.20 ES / EB  
10.10 ES / EB  
10.20 ES / EB  
12.20 ES / EB  
20.10 ES / EB  
20.20 ES / EB

Laufende Verbesserungen des Produkts können Änderungen der Spezifikationen ohne expliziten Hinweis bedingen. Continuous improvements to the product may mean changes to the specification are made without explicit mention. 9965026\_02 © 2015 Manitowoc.



01	AM 2016/005	Jan 27, 16	aneumeie	Drawn	28.10.2015	aruhdorf
02	aktualisiert	Jul 17, 18	aneumeie	App.	Jul 17, 18	aneumeie
Rev	Remarks	Date	Name		Date	Name

- 3K1 -3K2
- 3K3 -3K4
- 3K5 -3K6
- 3K7 -3K8
- 4K1 -4K2
- 4K3 -4K4
- 4K5 -4K6



#	ET-Nr. Part No	Description	Beschreibung	Elektro	Gas	6.10	6.20	10.10	10.20	12.20	20.10	20.20	BMK / ID
A001	2164261	Left cover 6.10 Con4	Abdeckung links 6.10 Con4	x	x	1							→ 08.2017
A001	2665671	Left cover 6.10 V2 Con4	Abdeckung links 6.10 V2 Con4	x	x	1							09.2017 →
A001	2164262	Left cover 6.20 Con4	Abdeckung links 6.20 Con4	x	x		1						→ 08.2017
A001	2665672	Left cover 6.20 V2 Con4	Abdeckung links 6.20 V2 Con4	x	x		1						09.2017 →
A001	2164263	Left cover 10.10 Con4	Abdeckung links 10.10 Con4	x	x			1					→ 08.2017
A001	2665673	Left cover 10.10 V2 Con4	Abdeckung links 10.10 V2 Con4	x	x			1					09.2017 →
A001	2164264	Left cover 10.20 Con4	Abdeckung links 10.20 Con4	x	x				1				→ 08.2017
A001	2665674	Left cover 10.20 V2 Con4	Abdeckung links 10.20 V2 Con4	x	x				1				09.2017 →
A001	2164265	Left cover 12.20 Con4	Abdeckung links 12.20 Con4	x	x					1			→ 08.2017
A001	2665675	Left cover 12.20 V2 Con4	Abdeckung links 12.20 V2 Con4	x	x					1			09.2017 →
A001	2164266	Left cover 20.10 Con4	Abdeckung links 20.10 Con4	x	x						1		→ 08.2017
A001	2665676	Left cover 20.10 V2 Con4	Abdeckung links 20.10 V2 Con4	x	x						1		09.2017 →
A001	2164267	Left cover 20.20 Con4	Abdeckung links 20.20 Con4	x	x							1	→ 08.2017
A001	2665677	Left cover 20.20 V2 Con4	Abdeckung links 20.20 V2 Con4	x	x							1	09.2017 →
A002	2161809NP	Rear panel 6.10 Con4	Rückwand 6.10 Con4	x	x	1							
A002	2161807NP	Rear panel 6.20 Con4	Rückwand 6.20 Con4	x	x		1						
A002	2161908NP	Rear panel 10.10 Con4	Rückwand 10.10 Con4	x	x			1					
A002	2161904NP	Rear panel 10.20 Con4	Rückwand 10.20 Con4	x	x				1				
A002	2161903NP	Rear panel 12.20 Con4	Rückwand 12.20 Con4	x	x					1			
A002	2161865NP	Rear panel 20.10 Con4	Rückwand 20.10 Con4	x	x						1		
A002	2161864NP	Rear panel 20.20 Con4	Rückwand 20.20 Con4	x	x							1	
A003	2151066NP	Frontpart 6.10 Con4	Frontteil 6.10 Con4	x	x	1							
A003	2151219NP	Frontpart 6.20 Con4	Frontteil 6.20 Con4	x	x		1						
A003	2151192NP	Frontpart 10.10 Con4	Frontteil 10.10 Con4	x	x			1					
A003	2151108NP	Frontpart 10.20 Con4	Frontteil 10.20 Con4	x	x				1				
A003	2151270NP	Frontpart 12.20 Con4	Frontteil 12.20 Con4	x	x					1			
A003	2151246NP	Frontpart 20.10 Con4	Frontteil 20.10 Con4	x	x						1		
A003	2151154NP	Frontpart 20.20 Con4	Frontteil 20.20 Con4	x	x							1	
A003	2163008NP	Frontpart 6.10 Sous Vide Con4	Frontteil 6.10 Sous Vide Con4	x	x	1							
A003	2163006NP	Frontpart 6.20 Sous Vide Con4	Frontteil 6.20 Sous Vide Con4	x	x		1						
A003	2163010NP	Frontpart 10.10 Sous Vide Con4	Frontteil 10.10 Sous Vide Con4	x	x			1					
A003	2163011NP	Frontpart 10.20 Sous Vide Con4	Frontteil 10.20 Sous Vide Con4	x	x				1				
A003	2163012NP	Frontpart 12.20 Sous Vide Con4	Frontteil 12.20 Sous Vide Con4	x	x					1			
A003	2163013NP	Frontpart 20.10 Sous Vide Con4	Frontteil 20.10 Sous Vide Con4	x	x						1		
A003	2163014NP	Frontpart 20.20 Sous Vide Con4	Frontteil 20.20 Sous Vide Con4	x	x							1	
A005	2161833NP	Top cover electric 6.10 / 10.10 right hinged Con4	Decke Elektro 6.10 / 10.10 Rechtsanschlag Con4	x		1		1					
A005	2161834NP	Top cover electric 6.20 / 10.20 right hinged Con4	Decke Elektro 6.20 / 10.20 Rechtsanschlag Con4	x			1		1				
A005	2161836NP	Top cover electric 20.10 right hinged Con4	Decke Elektro 20.10 Rechtsanschlag Con4	x							1		
A005	2161835NP	Top cover electric 12.20 / 20.20 right hinged Con4	Decke Elektro 12.20 / 20.20 Rechtsanschlag Con4	x						1		1	
A005	2161863NP	Top cover electric 6.10 / 10.10 disappearing door Con4	Decke Elektro 6.10 / 10.10 Verschwindetüre Con4	x		1		1					
A005	2161866NP	Top cover electric 6.20 / 10.20 disappearing door Con4	Decke Elektro 6.20 / 10.20 Verschwindetüre Con4	x			1		1				
A005	2161868NP	Top cover electric 20.10 disappearing door Con4	Decke Elektro 20.10 Verschwindetüre Con4	x							1		
A005	2161867NP	Top cover electric 12.20 / 20.20 disappearing door Con4	Decke Elektro 12.20 / 20.20 Verschwindetüre Con4	x						1		1	
A005	2161842NP	Top cover gas sprayer 6.10 / 10.10 right hinged Con4	Decke Gas Spritzer 6.10 / 10.10 Rechtsanschlag Con4	x		1		1					
A005	2161879NP	Top cover gas sprayer 6.20 / 10.20 right hinged Con4	Decke Gas Spritzer 6.20 / 10.20 Rechtsanschlag Con4	x			1		1				
A005	2161880NP	Top cover gas sprayer 12.20 right hinged Con4	Decke Gas Spritzer 12.20 Rechtsanschlag Con4	x						1			
A005	2161881NP	Top cover gas sprayer 20.10 right hinged Con4	Decke Gas Spritzer 20.10 Rechtsanschlag Con4	x							1		
A005	2161882NP	Top cover gas sprayer 20.20 right hinged Con4	Decke Gas Spritzer 20.20 Rechtsanschlag Con4	x								1	
A005	2161874NP	Top cover gas sprayer 6.10 / 10.10 disapp. door Con4	Decke Gas Spritzer 6.10 / 10.10 Verschwindetüre Con4	x		1		1					
A005	2161875NP	Top cover gas sprayer 6.20 / 10.20 disapp. door Con4	Decke Gas Spritzer 6.20 / 10.20 Verschwindetüre Con4	x			1		1				
A005	2161876NP	Top cover gas sprayer 12.20 disappearing door Con4	Decke Gas Spritzer 12.20 Verschwindetüre Con4	x						1			
A005	2161877NP	Top cover gas sprayer 20.10 disappearing door Con4	Decke Gas Spritzer 20.10 Verschwindetüre Con4	x							1		
A005	2161878NP	Top cover gas sprayer 20.20 disappearing door Con4	Decke Gas Spritzer 20.20 Verschwindetüre Con4	x								1	
A005	2161837NP	Top cover gas boiler 6.10 / 10.10 right hinged Con4	Decke Gas Boiler 6.10 / 10.10 Rechtsanschlag Con4	x		1		1					
A005	2161838NP	Top cover gas boiler 6.20 / 10.20 right hinged Con4	Decke Gas Boiler 6.20 / 10.20 Rechtsanschlag Con4	x			1		1				
A005	2161839NP	Top cover gas boiler 12.20 right hinged Con4	Decke Gas Boiler 12.20 Rechtsanschlag Con4	x						1			
A005	2161840NP	Top cover gas boiler 20.10 right hinged Con4	Decke Gas Boiler 20.10 Rechtsanschlag Con4	x							1		
A005	2161841NP	Top cover gas boiler 20.20 right hinged Con4	Decke Gas Boiler 20.20 Rechtsanschlag Con4	x								1	
A005	2161869NP	Top cover gas boiler 6.10 / 10.10 disapp. door Con4	Decke Gas Boiler 6.10 / 10.10 Verschwindetüre Con4	x		1		1					
A005	2161870NP	Top cover gas boiler 6.20 / 10.20 disapp. door Con4	Decke Gas Boiler 6.20 / 10.20 Verschwindetüre Con4	x			1		1				
A005	2161871NP	Top cover gas boiler 12.20 disappearing door Con4	Decke Gas Boiler 12.20 Verschwindetüre Con4	x						1			
A005	2161872NP	Top cover gas boiler 20.10 disappearing door Con4	Decke Gas Boiler 20.10 Verschwindetüre Con4	x							1		
A005	2161873NP	Top cover gas boiler 20.20 disappearing door Con4	Decke Gas Boiler 20.20 Verschwindetüre Con4	x								1	
A006	2161823NP	Cover Drainbox for Table Top Model Con4	Abdeckung Abwasserbox für Tischgeräte Con4	x	x	1	1	1	1				
A006	2161825NP	Cover Drainbox 20.10 Con4	Abdeckung Abwasserbox 20.10 Con4	x	x						1		
A006	2161902NP	Cover Drainbox 12.20 20.20 Con4	Abdeckung Abwasserbox 12.20/20.20 Con4	x	x					1		1	
A007	5056314	Halogen lamp G4 10W Con4	Halogenlampe G4 10W Con4	x	x	1	1	1	1	1	2	2	-3P0
A008	5056317	Cooking chamber light frame incl. glass Con4	Garraumlampenrahmen inkl. Glas Con4	x	x	1	1	1	1	1	2	2	
A009	7056338	Door gasket 6.10 Con4	Türdichtung 6.10 Con4	x	x	1							
A009	7056339	Door gasket 6.20 Con4	Türdichtung 6.20 Con4	x	x		1						
A009	7056340	Door gasket 10.10 Con4	Türdichtung 10.10 Con4	x	x			1					
A009	7056341	Door gasket 10.20 Con4	Türdichtung 10.20 Con4	x	x				1				
A009	7056342	Door gasket 12.20 Con4	Türdichtung 12.20 Con4	x	x					1			
A009	7056343	Door gasket 20.10 Con4	Türdichtung 20.10 Con4	x	x						1		
A009	7056344	Door gasket 20.20 Con4	Türdichtung 20.20 Con4	x	x							1	
A010	2251352NP	Suction Panel Electric Sprayer 6.10 Con4	Ansaugblech Elektro Spritzer 6.10 Con4	x		1							
A010	2251353NP	Suction Panel Electric Boiler 6.10 Con4	Ansaugblech Elektro Boiler 6.10 Con4	x		1							
A010	2265863NP	Suction Panel Electric Sprayer 6.10 Bakery Con4	Ansaugblech Elektro Spritzer 6.10 Bäckerei Con4	x		1							
A010	2251363NP	Suction Panel Electric Sprayer 6.20 Con4	Ansaugblech Elektro Spritzer 6.20 Con4	x			1						
A010	2251362NP	Suction Panel Electric Boiler 6.20 Con4	Ansaugblech Elektro Boiler 6.20 Con4	x				1					
A010	2251373NP	Suction Panel Electric Sprayer 10.10 Con4	Ansaugblech Elektro Spritzer 10.10 Con4	x				1					
A010	2251372NP	Suction Panel Electric Boiler 10.10 Con4	Ansaugblech Elektro Boiler 10.10 Con4	x					1				
A010	2251452NP	Suction Panel Electric Sprayer 10.10 Bakery Con4	Ansaugblech Elektro Spritzer 10.10 Bäckerei Con4	x				1					
A010	2251383NP	Suction Panel Electric Sprayer 10.20 Con4	Ansaugblech Elektro Spritzer 10.20 Con4	x					1				
A010	2251382NP	Suction Panel Electric Boiler 10.20 Con4	Ansaugblech Elektro Boiler 10.20 Con4	x						1			
A010	2251393NP	Suction Panel Electric Sprayer 12.20 Con4	Ansaugblech Elektro Spritzer 12.20 Con4	x						1			
A010	2251392NP	Suction Panel Electric Boiler 12.20 Con4	Ansaugblech Elektro Boiler 12.20 Con4	x							1		
A010	2251403NP	Suction Panel Electric Sprayer 20.10 Con4	Ansaugblech Elektro Spritzer 20.10 Con4	x							1		
A010	2251402NP	Suction Panel Electric Boiler 20.10 Con4	Ansaugblech Elektro Boiler 20.10 Con4	x								1	
A010	2251413NP	Suction Panel Electric Sprayer 20.20 Con4	Ansaugblech Elektro Spritzer 20.20 Con4	x								1	
A010	2251412NP	Suction Panel Electric Boiler 20.20 Con4	Ansaugblech Elektro Boiler 20.20 Con4	x									1
A010	2251351NP	Suction Panel Gas Sprayer 6.10 Con4	Ansaugblech Gas Spritzer 6.10 Con4	x		1							
A010	2251350NP	Suction Panel Gas Boiler 6.10 Con4	Ansaugblech Gas Boiler 6.10 Con4	x		1							
A010	2251361NP	Suction Panel Gas Sprayer 6.20 Con4	Ansaugblech Gas Spritzer 6.20 Con4	x			1						
A010	2251360NP	Suction Panel Gas Boiler 6.20 Con4	Ansaugblech Gas Boiler 6.20 Con4	x				1					
A010	2251371NP	Suction Panel Gas Sprayer 10.10 Con4	Ansaugblech Gas Spritzer 10.10 Con4	x				1					

#	ET-Nr. Part No	Description	Beschreibung	Elektro	Gas	6.10	6.20	10.10	10.20	12.20	20.10	20.20	BMK / ID
A010	2251370NP	Suction Panel Gas Boiler 10.10 Con4	Ansaugblech Gas Boiler 10.10 Con4	x	x			1					
A010	2251381NP	Suction Panel Gas Sprayer 10.20 Con4	Ansaugblech Gas Spritzer 10.20 Con4	x	x				1				
A010	2251380NP	Suction Panel Gas Boiler 10.20 Con4	Ansaugblech Gas Boiler 10.20 Con4	x	x				1				
A010	2251391NP	Suction Panel Gas Sprayer 12.20 Con4	Ansaugblech Gas Spritzer 12.20 Con4	x	x					1			
A010	2251390NP	Suction Panel Gas Boiler 12.20 Con4	Ansaugblech Gas Boiler 12.20 Con4	x	x					1			
A010	2251401NP	Suction Panel Gas Sprayer 20.10 Con4	Ansaugblech Gas Spritzer 20.10 Con4	x	x						1		
A010	2251400NP	Suction Panel Gas Boiler 20.10 Con4	Ansaugblech Gas Boiler 20.10 Con4	x	x						1		
A010	2251411NP	Suction Panel Gas Sprayer 20.20 Con4	Ansaugblech Gas Spritzer 20.20 Con4	x	x							1	
A010	2251410NP	Suction Panel Gas Boiler 20.20 Con4	Ansaugblech Gas Boiler 20.20 Con4	x	x							1	
A011	2251301	Shelf Rack left 6.10 GN Con4	Einhängegestell links 6.10 GN Con4	x	x	1							
A011	2251303	Shelf Rack left 6.20 GN Con4	Einhängegestell links 6.20 GN Con4	x	x		1						
A011	2251305	Shelf Rack left 10.10 GN Con4	Einhängegestell links 10.10 GN Con4	x	x			1					
A011	2251307	Shelf Rack left 10.20 GN Con4	Einhängegestell links 10.20 GN Con4	x	x				1				
A011	2255010	Baker Rack left 6.10 BG Con4	Bäcker Einhängestell links 6.10 BG Con4	x	x	1							
A011	2255012	Baker Rack left 6.20 BG Con4	Bäcker Einhängestell links 6.20 BG Con4	x	x		1						
A011	2255014	Baker Rack left 10.10 BG Con4	Bäcker Einhängestell links 10.10 BG Con4	x	x			1					
A011	2255016	Baker Rack left 10.20 BG Con4	Bäcker Einhängestell links 10.20 BG Con4	x	x				1				
A011	2251327	Shelf Rack left 6.10 Marine GN Con4	Einhängegestell links 6.10 Marine GN Con4	x	x	1							
A011	2251328	Shelf Rack left 6.20 Marine GN Con4	Einhängegestell links 6.20 Marine GN Con4	x	x		1						
A011	2251329	Shelf Rack left 10.10 Marine GN Con4	Einhängegestell links 10.10 Marine GN Con4	x	x			1					
A011	2251330	Shelf Rack left 10.20 Marine GN Con4	Einhängegestell links 10.20 Marine GN Con4	x	x				1				
A011	2265694	Shelf Rack left 6.10 Marine -30mm GN Con4	Einhängegestell links 6.10 Marine -30mm GN Con4	x	x	1							
A011	2265696	Shelf Rack left 10.10 Marine -30mm GN Con4	Einhängegestell links 10.10 Marine -30mm GN Con4	x	x			1					
A011	2255059	Baker Rack left 6.10 BG Marine Con4	Bäcker Einhängestell links 6.10 BG Marine Con4	x	x	1							
A011	2255060	Baker Rack left 6.20 BG Marine Con4	Bäcker Einhängestell links 6.20 BG Marine Con4	x	x		1						
A011	2255061	Baker Rack left 10.10 BG Marine Con4	Bäcker Einhängestell links 10.10 BG Marine Con4	x	x			1					
A011	2255062	Baker Rack left 10.20 BG Marine Con4	Bäcker Einhängestell links 10.20 BG Marine Con4	x	x				1				
A012	3310394	Handle for Trolley 12.20/20.20 Con4	Griff für Beschickungswagen 12.20/20.20 Con4	x	x					1			
A012	3315244	Handle for Trolley 20.10 Con4	Griff für Beschickungswagen 20.10 Con4	x	x						1		
A012	2251302	Shelf Rack right 6.10 GN Con4	Einhängegestell rechts 6.10 GN Con4	x	x	1							
A012	2251304	Shelf Rack right 6.20 GN Con4	Einhängegestell rechts 6.20 GN Con4	x	x		1						
A012	2251306	Shelf Rack right 10.10 GN Con4	Einhängegestell rechts 10.10 GN Con4	x	x			1					
A012	2251308	Shelf Rack right 10.20 GN Con4	Einhängegestell rechts 10.20 GN Con4	x	x				1				
A012	2255011	Baker Rack right 6.10 BG Con4	Bäcker Einhängestell rechts 6.10 BG Con4	x	x	1							
A012	2255013	Baker Rack right 6.20 BG Con4	Bäcker Einhängestell rechts 6.20 BG Con4	x	x		1						
A012	2255015	Baker Rack right 10.10 BG Con4	Bäcker Einhängestell rechts 10.10 BG Con4	x	x			1					
A012	2255017	Baker Rack right 10.20 BG Con4	Bäcker Einhängestell rechts 10.20 BG Con4	x	x				1				
A012	2265695	Shelf Rack left 6.10 Marine -30mm GN Con4	Einhängegestell links 6.10 Marine -30mm GN Con4	x	x	1							
A012	2265697	Shelf Rack left 10.10 Marine -30mm GN Con4	Einhängegestell links 10.10 Marine -30mm GN Con4	x	x			1					
A013	5056325	4-Point core temperature probe 3.0m Con4	4-Punkt Kerntemperaturfühler 3.0m Con4	x	x	1	1	1	1	1	1	1	-3B10
A014	6015026	Seal for core temperature sensor P3 Con4	Dichtung für Kerntemperaturfühler P3 Con4	x	x	1	1	1	1	1	1	1	
A015	2009047	Mount for cable core temperature probe Con4	Haltebuegel für KTM-Fühlerleitung Con4	x	x	1	1	1	1	1	1	1	
A015	2050895	Repairset Mount for cable core temperature probe Con4	Reparaturset Haltebuegel für KTM-Fühlerleitung Con4	x	x	1	1	1	1	1	1	1	
A016	6064285	Suction Pipe Dehumidification 6.10/6.20 Con4	Ansaugrohr Entfeuchtung 6.10/6.20 Con4	x	x	1	1						
A016	6064286	Suction Pipe Dehumidification 12.20 Con4	Ansaugrohr Entfeuchtung 12.20 Con4	x	x				1				
A016	6064287	Suction Pipe Dehumidification 10.10/10.20/20.10/20.20 Con4	Ansaugrohr Entfeuchtung 10.10/10.20/20.10/20.20 Con4	x	x			1	1	1	1		
A017	2161847	Cover Airbox incl. fan Con4	Abdeckung Zuluftkasten inkl. Lüfter Con4	x	x	1	1	1	1	1	1	1	
A018	5056318	Extra fan P3 Con4	Zusatzlüfter P3 Con4	x	x	1	1	1	1	1	2	2	-2M0
A018	2118786	Stacking kit Fan Sunon 92x92mm Con4	Stapelkit Lüfter Sunon 92x92mm Con4	x	x	2	2	2	2				
A019	6064289	Adjustable foot table top model Marine 150x50x100 Con4	Gerätefuß einstellbar Tischgerät Marine 150x50x100 Con4	x	x	4	4	4	4				
A019	6056353	Adjustable foot table top model 150x50x100 Con4	Gerätefuß einstellbar Tischgerät 150x50x100 Con4	x	x	4	4	4	4				
A019	6064137	Adjustable foot for Floor Models 50x50 Con4 150x50x100 P4	Gerätefuß Standgeräte 50x50 Con4	x	x					4	4	4	
A019	6051061	Punch in foot 50x50 Marine flange Ø89 Con4	Einschlagsteilfuß 50x50 Marine Flansch Ø89 Con4	x	x					4	4	4	
A019	6064137	Adjustable punch in foot 50x50 square Stacking Kit Con4	Einschlagsteilfuß 50x50 vierkant Stapelkit Con4	x	x	4	4	4	4				
A019	3264851	Adjustable foot 40x40 for stand Con4	Einschlagsteilfuß 40x40 für Untergestell Con4	x	x	1	1	1	1				
A022	6014052	Guide roller 125x32 mm with rocker arm and total stop P3 Con4	Lenkrolle 125x32mm mit Kipphebel u Totalstopp P3 Con4	x	x					2	2	2	
A023	6014050	Swivel caster 125x32 mm without rocker arm and total stop P3 Con4	Lenkrolle 125x32mm ohne Kipphebel u Totalstopp P3 Con4	x	x					2	2	2	
A024	3015000	Collector tray for trolley plastic 20.10 P3 Con4	Sammelwanne Kunststoff 20.10 P3 Con4	x	x						1		
A024	3015001	Collector tray for trolley plastic 12.20/20.20 P3 Con4	Sammelwanne Kunststoff 12.20/20.20 P3 Con4	x	x					1		1	
A025	2004234	Slide-in retainer key for loading cart P3 Con4	Einfahrkeil für Beschickungswagen P3 Con4	x	x					2	2	2	
A029	7003066	Gasket 9x3mm	Dichtungsband 9x3mm	x	x	1	1	1	1	1	1	1	
A030	5065721	Cable gland M25, Ø 11-17mm	Kabelverschraubung M25, Ø 11-17mm	x	x	1	1	1	1	1	1	1	
A030	5065730	Cable gland M25 red., Ø 5-13mm 3~ 200V	Kabelverschraubung M25 red., Ø 5-13mm 3~ 200V	x	x	1	1	1	1	1	1	1	
A030	5065722	Cable gland M32, Ø 15-21mm	Kabelverschraubung M32, Ø 15-21mm	x	x	1	1						
A030	5065723	Cable gland M32 brass, Ø 18-27mm 3~ 200V	Kabelverschraubung M32 Messing, Ø 18-27mm 3~ 200V	x	x		1						
A030	5065724	Cable gland M40, Ø 19-28mm	Kabelverschraubung M40, Ø 19-28mm	x	x		1	1					
A030	5065725	Cable gland M40 brass, Ø 24-34mm 3~ 200V	Kabelverschraubung M40 Messing, Ø 24-34mm 3~ 200V	x	x		1	1					
A030	5065726	Cable gland M50, Ø 30-38mm	Kabelverschraubung M50, Ø 30-38mm	x	x						1		
A030	5065729	Cable gland M63 red., Ø 28-39mm	Kabelverschraubung M63 red., Ø 28-39mm	x	x					1			
A030	5065727	Cable gland M63, Ø 34-44mm	Kabelverschraubung M63, Ø 34-44mm	x	x							1	
A030	5065728	Cable gland M63 brass, Ø 39-48mm 3~ 200V	Kabelverschraubung M63 Messing, Ø 39-48mm 3~ 200V	x	x							1	
A031	6056349	O-Ring Boiler Con4	O-Ring Boiler Con4	x	x	1	1	1	1	1	1	1	
A032	6056496	Grommet 50mm for Top Cover Con4	Membrantülle 50mm für Außendecke Con4	x	x	2	2	2	2	3	3	3	
A032	H042	6063043	Mounting Set Ventilation Pipe Con4	Montage-Set Abluftrohr Con4	x	x	1	1	1	1	1	1	
A035	5056315	Cooking chamber light socket Con4	Garraumlampe Fassung G4 Con4	x	x	1	1	1	1	1	2	2	-3P0 -1P1
A037	2151045NP	Orifice bottom 6.10 / 10.10 Con4	Blende unten 6.10/10.10 Con4	x	x	1	1						
A037	2151046NP	Orifice bottom 6.20 / 10.20 Con4	Blende unten 6.20/10.20 Con4	x	x		1						
A037	2151048NP	Orifice bottom 20.10 Con4	Blende unten 20.10 Con4	x	x					1			
A037	2151047NP	Orifice bottom 12.20 / 20.20 Con4	Blende unten 12.20/20.20 Con4	x	x						1	1	
A038	2056497	Block for trolley Con4 (retrofit P3)	Klotz für Beschickungswagen Con4 (Nachrüst. P3)	x	x						1	1	
A039	5064010	Sousvide probe 1-Point 1.1m Con4	Sousvide Fühler 1-Punkt 1.1mCon4	x	x	1	1	1	1	1	1	1	-3B11
A039	5064012	1-Point external core temperature probe 1.1m Con4	1-Punkt externer Kerntemperaturfühler 1.1m Con4	x	x	1	1	1	1	1	1	1	-3B11
A040	5064011	Plug Socket Wire Sousvide Probe Con4	Kupplung Leitung Sousvide Fühler Con4	x	x	1	1	1	1	1	1	1	-3B11
A040	5065080	Plug Socket Wire Sousvide Probe UL Con4	Kupplung Leitung Sousvide Fühler UL Con4	x	x	1	1	1	1	1	1	1	
A041	2164201	Rails left + right x.20 Con4	Einfahrschiene links + rechts x.20Con4	x	x						1	1	
A041	2164202	Rails left + right 20.10 Con4	Einfahrschiene links + rechts 20.10 Con4	x	x						1	1	
A042	2161988	Cover Pumps 6.10/10.10 Con4	Pumpenabdeckung 6.10/10.10 Con4	x	x	1	1						
A042	2161989	Cover Pumps 6.20/10.20 Con4	Pumpenabdeckung 6.20/10.20 Con4	x	x		1	1					
A042	2161990	Cover Pumps 12.20/20.10/20.20 Con4	Pumpenabdeckung 12.20/20.10/20.20 Con4	x	x			1	1				
A042	2161812NP	Pump cover 6.10/10.10 Con4	Pumpenabdeckung 6.10/10.10 Con4	x	x	1	1						
A042	2161894NP	Pump cover 6.20/10.20 Con4	Pumpenabdeckung 6.20/10.20 Con4	x	x		1	1					
A042	2161819NP	Pump cover 12.20/20.10/20.20 Con4	Pumpenabdeckung 12.20/20.10/20.20 Con4	x	x					1	1	1	
A043	5051999	Core temperature probe holder 12.20/20.10/20.20 Con4	KTM-Halter 12.20/20.10/20.20 Con4	x	x						1	1	1
A043	5050893	Repairset core temperature probe holder 12.20/20.10/20.20 Con4	Reparaturset KTM-Halter 12.20/20.10/20.20 Con4	x	x						1	1	1
A044	2556345	Drip tray 6.10/10.10 Con4	Gerätetropfwanne 6.10/10.10 Con4	x	x	1	1						

#	ET-Nr. Part No	Description	Beschreibung	Elektro	Gas	6.10	6.20	10.10	10.20	12.20	20.10	20.20	BMK / ID
A044	2556346	Drip tray 6.20/10.20 Con4	Gerätetropfwanne 6.20/10.20 Con4	x	x		1		1				
A045	5056941	Smoker Heating element 240V 280W CE, UL Con4	Smoker-Heizung 240V 280W CE, UL Con4	x	x	1	1	1	1				-3E3
A045	5056942	Smoker Heating element 208V 280W UL Con4	Smoker-Heizung 208V 280W UL Con4	x	x	1	1	1	1				-3E3
A046	2064039	Drain sieve innerchamber Con4	Ablaufsieb Garraum Con4	x	x	1	1	1	1	1	1	1	
A047	6056943	Mount. set Smoker heatingelement CON4	Bef. Set Smoker Heizelement CON4	x	x	1	1	1	1				
A048	2664268	counterflange smoker heatingelement Con4	Gegenflansch Smoker Heizelement Con4	x	x	1	1	1	1				
A049	2161937NP	Side cover right 6.10 right hinged Con4	Seitenteil rechts 6.10 Rechtsanschlag Con4	x	x	1							
A049	2161910NP	Side cover right 6.20 right hinged Con4	Seitenteil rechts 6.20 Rechtsanschlag Con4	x	x		1						
A049	2161801NP	Side cover right 10.10 right hinged Con4	Seitenteil rechts 10.10 Rechtsanschlag Con4	x	x			1					
A049	2161938NP	Side cover right 10.20 right hinged Con4	Seitenteil rechts 10.20 Rechtsanschlag Con4	x	x				1				
A049	2161942NP	Side cover right 12.20 right hinged Con4	Seitenteil rechts 12.20 Rechtsanschlag Con4	x	x					1			
A049	2161941NP	Side cover right 20.10 right hinged Con4	Seitenteil rechts 20.10 Rechtsanschlag Con4	x	x						1		
A049	2161939NP	Side cover right 20.20 right hinged Con4	Seitenteil rechts 20.20 Rechtsanschlag Con4	x	x							1	
A049	2161918NP	Side cover right 6.10 disappearing door Con4	Seitenteil rechts 6.10 Verschwindetüre Con4	x	x	1							
A049	2161916NP	Side cover right 6.20 disappearing door Con4	Seitenteil rechts 6.20 Verschwindetüre Con4	x	x		1						
A049	2161914NP	Side cover right 10.10 disappearing door Con4	Seitenteil rechts 10.10 Verschwindetüre Con4	x	x			1					
A049	2161920NP	Side cover right 10.20 disappearing door Con4	Seitenteil rechts 10.20 Verschwindetüre Con4	x	x				1				
A049	2161926NP	Side cover right 12.20 disappearing door Con4	Seitenteil rechts 12.20 Verschwindetüre Con4	x	x					1			
A049	2161924NP	Side cover right 20.10 disappearing door Con4	Seitenteil rechts 20.10 Verschwindetüre Con4	x	x						1		
A049	2161922NP	Side cover right 20.20 disappearing door Con4	Seitenteil rechts 20.20 Verschwindetüre Con4	x	x							1	
A049	2161848NP	Side cover right 6.10 disappearing door Marine Con4	Seitenteil rechts 6.10 Verschwindetüre Marine Con4	x	x	1							
A049	2161857NP	Side cover right 6.20 disappearing door Marine Con4	Seitenteil rechts 6.20 Verschwindetüre Marine Con4	x	x		1						
A049	2161858NP	Side cover right 10.10 disappearing door Marine Con4	Seitenteil rechts 10.10 Verschwindetüre Marine Con4	x	x			1					
A049	2161859NP	Side cover right 10.20 disappearing door Marine Con4	Seitenteil rechts 10.20 Verschwindetüre Marine Con4	x	x				1				
A049	2161860NP	Side cover right 12.20 disappearing door Marine Con4	Seitenteil rechts 12.20 Verschwindetüre Marine Con4	x	x					1			
A049	2161861NP	Side cover right 20.10 disappearing door Marine Con4	Seitenteil rechts 20.10 Verschwindetüre Marine Con4	x	x						1		
A049	2161862NP	Side cover right 20.20 disappearing door Marine Con4	Seitenteil rechts 20.20 Verschwindetüre Marine Con4	x	x							1	
A050	6056326	Dehumidification flap incl. Grommet valve Con4	Entfeuchtungsklappe inkl. Dichtung Con4	x	x	1	1	1	1	1	1	1	-3M9
A050	6056827	Dehumidification flap 6.10 Gas incl. Grommet valve Con4	Entfeuchtungsklappe 6.10 Gas inkl. Dichtung Con4	x	x	1							-3M9
A051	6056327	Gasket set for dehumidification flap Con4	Dichtungs-Set für Entfeuchtungsklappe Con4	x	x	1	1	1	1	1	1	1	-3M9
A052	5056977	RC-Filter 0.15µF 120 Ohm Dehumid Flap Con4	RC-Filter 0.15µF 120 Ohm Entfeuchtungsklappe Con4	x	x	1	1	1	1	1	1	1	
A053	5056316	Cooking chamber light seal (Set 5 pcs) Con4	Garraumlampe Flächdichtung Set 5St. Con4	x	x	1	1	1	1	1	1	2	
A054	2151680NP	Bracket reinforcement 6.10/6.20 Con4	Klobenversteifung 6.10/6.20 Con4	x	x	1	1						
A054	2151681NP	Bracket reinforcement 10.10/10.20 Con4	Klobenversteifung 10.10/10.20 Con4	x	x			1	1				
A054	2151682NP	Bracket reinforcement 12.20 Con4	Klobenversteifung 12.20 Con4	x	x					1			
A054	2151683NP	Bracket reinforcement 20.10 Con4	Klobenversteifung 20.10 Con4	x	x						1		
A054	2151689NP	Bracket reinforcement 20.20 Con4	Klobenversteifung 20.20 Con4	x	x							1	
A055	2151051NP	Airbox for Table Top Model Con4	Zuluftkasten für Tischgeräte Con4	x	x	1	1	1	1				
A055	2151175NP	Airbox for Floor Model Con4	Zuluftkasten für Standgeräte Con4	x	x						1	1	
A056	8064124	Flat head screw M4x10 A2 5 pc. Con4	Senkschraube M4x10 A2 5 Stück Con4	x	x	1	1	1	1	1	1	1	
A057	6064053	Adapter G 3/4 female x 3/4-11.5 male Brass USA Con4	Adapter 3/4" Messing für USA Con4	x	x	1	1	1	1	1	1	1	
A058	8009022	Sheet metal nut 14x11mm 4,8 Con4	Blechmutter 14x11mm 4,8 Con4	x	x	2	2	2	2	2	2	2	
A058	8064587	sheet metal nut 14x11mm M5 Con4	Blechmutter 14x11mm M5 Con4	x	x	x	x	x	x	x	x	x	
A059	8051285	Hexagon head tapping screw 4.8x32 A2 tabletop models Con4	Sechskant-Blechschrabe 4.8x32 A2 Tischgeräte Con4	x	x	2	2	2	2				
A059	8051284	Hexagon head tapping screw 4.8x80 A2 floor models Con4	Sechskant-Blechschrabe 4.8x80 A2 Standgeräte Con4	x	x					2	2	2	
A059	8064588	hexagon screw M5x75 DIN931 A2 Con4	Sechskantschraube M5x75 DIN931 A2 Con4	x	x	x	x	x	x	x	x	x	
A060	6005041	Closing plug 50x50mm	Abschlußstopfen 50 x 50mm	x	x					2	2	2	
A061	5063048	Spacer sheet cooking chamber light Con4	Garraumlampe Beilegblech Con4	x	x	1	1	1	1	1	2	2	
A062	3465085	Support Set Trolley Handle Panel mounted Con4	Halter Set Schiebegriff Beschickungswagen Seitenteil Montage Con4	x	x						1	1	1
A064	2550469	Sieve insert Appliance drip tray Bakery Table top Models CON4	Siebeinsatz Gerätetropfwanne Bäckerei Tischgerät CON4	x	x	1	1						
Acs	3264130	Threaded Bolt 4 pc. for Stand Con4	Gewindebolzen 4 Stück Ø8 für Untergestell Con4	x	x	1	1	1	1				
Acs	3464149	Signal Tower Cable 10m with plug M12 Con4	Signalturnm Kabel 10m mit Buchse M12 Con4	x	x	1	1	1	1	1	1	1	
Acs	3464150	Signal Tower mounting bracket Con4	Signalturnm Befestigungswinkel Con4	x	x	1	1	1	1	1	1	1	
Acs	3463075	Set Multitool Con4	Set Multitool Con4	x	x	1	1	1	1	1	1	1	
Acs	3264155	Ball catch for stand Con4	Kugelschnäpper kpl für Untergestell Con4	x	x	1	1	1	1				
Acs	3464219	Holding Angel Cleaner Boxes Con4	Haltewinkel für Behälter Reinigerkanister Con4	x	x	1	1	1	1	1	1	1	
Acs	2665151	Draft diverter 20.20 Gas cpl Con4	Abgasführungsadapter 20.20 Gas kpl Con4	x	x							1	
Acs	2665153	Draft diverter 20.10 Gas cpl Con4	Abgasführungsadapter 20.10 Gas kpl Con4	x	x						1		
Acs	2655684	Fireplace baffle Gas Sprayer 6.10, 10.10 Con4	Kaminprallblech Gas Spritzer 6.10, 10.10 Con4	x	x	1	1						
Acs	2655689	Fireplace baffle Gas Boiler 6.10, 10.10 Con4	Kaminprallblech Gas Boiler 6.10, 10.10 Con4	x	x	1	1						
Acs	2655685	Fireplace baffle Gas Sprayer 6.20 Con4	Kaminprallblech Gas Spritzer 6.20 Con4	x	x	1							
Acs	2655690	Fireplace baffle Gas Boiler 6.20 Con4	Kaminprallblech Gas Boiler 6.20 Con4	x	x	1							
Acs	2655686	Fireplace baffle Gas Sprayer 10.20, 12.20 Con4	Kaminprallblech Gas Spritzer 10.20, 12.20 Con4	x	x				1	1			
Acs	2655691	Fireplace baffle Gas Boiler 10.20, 12.20 Con4	Kaminprallblech Gas Boiler 10.20, 12.20 Con4	x	x					1	1		
Acs	2655687	Fireplace baffle Gas 20.10 Con4	Kaminprallblech Gas 20.10 Con4	x	x						1		
Acs	2655688	Fireplace baffle Gas 20.20 Con4	Kaminprallblech Gas 20.20 Con4	x	x							1	
Acs	2164555	Grease filter Cooling Fan Tabletop Models Con4	Fettfilter Zuluftkasten Tischgeräte Con4	x	x	1	1	1	1				
Acs	2165401	Drip Tray Drainbox Overflow Con4	Auffangwanne Abwasserbox Überlauf Con4	x	x	1	1	1	1	1	1	1	
Acs	5011002	Water distribution P3, mini, Con4	Wasserverteiler P3, mini, Con4	x	x	1	1	1	1	1	1	1	
Acs	2664128	Floor anchor floor-standing units Con4	Bodenbefestigung Standgeräte Con4	x	x						1	1	1
Acs	3463090	Spacer floor-standing units 100mm Wall clearance Con4	Abstandshalter Standgeräte 100mm Wandabstand Con4	x	x							1	1
Acs	3463091	Spacer floor-standing units 200mm Wall clearance Con4	Abstandshalter Standgeräte 200mm Wandabst Con4	x	x							1	1
Acs	3465490	Kit sedimentfilter unit side mini, Con4	Set Sedimentfilter geräteseitig mini, Con4	x	x	1	1	1	1	1	1	1	
Acs	3466388	Set exhaust pipe separator Con4	Set Rohrtrenner Abluft Con4	x	x	1	1	1	1	1	1	1	
Acs	2064218	Mounting Set Gas Pipe Con4	Befestigungsset Gasleitung Con4	x	x	1	1	1	1	1			
Acs	6006230	Backflow Preventer 3/4" - optional	Rückflussverhinderer 3/4" - optional	x	x	1	1	1	1	1	1	1	
B001	2556820	Door 6.10 Con4	Türe 6.10 Con4	x	x	1							
B001	2556821	Door 6.20 Con4	Türe 6.20 Con4	x	x		1						
B001	2556822	Door 10.10 Con4	Türe 10.10 Con4	x	x			1					
B001	2556823	Door 10.20 Con4	Türe 10.20 Con4	x	x				1				
B001	2556824	Door 12.20 Con4	Türe 12.20 Con4	x	x					1			
B001	2556825	Door 20.10 Con4	Türe 20.10 Con4	x	x						1		
B001	2556826	Door 20.20 Con4	Türe 20.20 Con4	x	x							1	
B001	2564093	Disappearing Door 6.10 Con4	Verschwindetüre 6.10 Con4	x	x	1							
B001	2564094	Disappearing Door 6.20 Con4	Verschwindetüre 6.20 Con4	x	x		1						
B001	2564095	Disappearing Door 10.10 Con4	Verschwindetüre 10.10 Con4	x	x			1					
B001	2564096	Disappearing Door 10.20 Con4	Verschwindetüre 10.20 Con4	x	x				1				
B001	2564097	Disappearing Door 12.20 Con4	Verschwindetüre 12.20 Con4	x	x					1			
B001	2564098	Disappearing Door 20.10 Con4	Verschwindetüre 20.10 Con4	x	x						1		
B001	2564099	Disappearing Door 20.20 Con4	Verschwindetüre 20.20 Con4	x	x							1	
B001	2564278	Disappearing Door 20.10 JVA complete Con4	Tür 20.10 Verschwindetür JVA kpl Con4	x	x						1		
B001	2564279	Disappearing Door 20.20 JVA complete Con4	Tür 20.20 Verschwindetür JVA kpl Con4	x	x							1	
B002	2656813	Inner door 6.10 Con4	Innentüre 6.10 Con4	x	x	1							
B002	2656814	Inner door 6.20 Con4	Innentüre 6.20 Con4	x	x		1						
B002	2656815	Inner door 10.10 Con4	Innentüre 10.10 Con4	x	x			1					
B002	2656816	Inner door 10.20 Con4	Innentüre 10.20 Con4	x	x				1				



#	ET-Nr. Part No	Description	Beschreibung	Elektro	Gas	6.10	6.20	10.10	10.20	12.20	20.10	20.20	BMK / ID
B002	2656817	Inner door 12.20 Con4	Innentüre 12.20 Con4	x	x					1			
B002	2656818	Inner door 20.10 Con4	Innentüre 20.10 Con4	x	x						1		
B002	2656819	Inner door 20.20 Con4	Innentüre 20.20 Con4	x	x							1	
B003	6056809	Door handle Floor Model Con4	Türgriff Standgeräte Con4	x	x					1	1	1	
B003	6056384	Door handle Table Top Model Con4	Türgriff Tischgeräte Con4	x	x	1	1	1	1				
B004	6056369	Innerdoor bracket Set for Table Top Model Con4	Innentür Halteklammer Set für Tischgerät Con4	x	x	2	2	2	2				
B004	6056812	Innerdoor bracket Set for Table Floor Model Con4	Innentür Halteklammer Set für Standgerät Con4	x	x					2	2	2	
B005	6056370	Door buffer Set 4 pc. for Table Top Model Con4	Türpuffer 4 Stück für Tischgerät Con4	x	x	4	4	4	4				
B005	6056811	Door buffer 2 pc. for Floor Model Con4	Türpuffer 2 Stück für Standgeräte Con4	x	x					2	2	2	
B006	6056383	Door spacer for Floor Model Con4	Tür-Abstandshalter für Standgerät Con4	x	x					4	4	4	
B007	6064160	Upper bottom Hinge part inner door 12.20/20.10/20.20 Con4	Scharnierunterteil oben Innentüre 12.20/20.10/20.20 Con4	x	x					1	1	1	
B008	6064161	Lower bottom Hinge part inner door 12.20/20.10/20.20 Con4	Scharnierunterteil oben Innentüre 12.20/20.10/20.20 Con4	x	x					1	1	1	
B009	2656838	Hinge top for Table Top Model right hinged Con4	Scharnier oben für Tischgerät Rechtsanschlag Con4	x	x	1	1	1	1				
B009	6056841	Hinge top for Floor Model right hinged Con4	Scharnier oben für Standgerät Rechtsanschlag Con4	x	x					1	1	1	
B009	6056842	Hinge top for Table Top Model disapp. door Con4	Scharnier oben für Tischgerät Verschwindetüre Con4	x	x	1	1	1	1				
B009	6056844	Hinge top for Floor Model disappearing door Con4	Scharnier oben für Standgerät Verschwindetüre Con4	x	x					1	1	1	
B010	2656839	Hinge bottom for Table Top Model right hinged Con4	Scharnier unten für Tischgerät Rechtsanschlag Con4	x	x	1	1	1	1				
B010	6056840	Hinge bottom for Floor Model right hinged Con4	Scharnier unten für Tischgerät Rechtsanschlag Con4	x	x					1	1	1	
B010	6056843	Hinge bottom for Table Top Model disapp. door Con4	Scharnier unten für Tischgerät Verschwindetüre Con4	x	x	1	1	1	1				
B010	6056845	Hinge bottom for Floor Model disapp. door Con4	Scharnier unten für Standgerät Verschwindetüre Con4	x	x					1	1	1	
B011	2556336	Door drip tray 6.20/10.20 Con4	Türtropfwanne 6.20/10.20 Con4	x	x	1		1					
B011	2556335	Door drip tray 6.10/10.10 Con4	Türtropfwanne 6.10/10.10 Con4	x	x	1		1					
B012	2651704	Carriage plate 6.x disappearing door complete Con4	Schlittenplatte 6.x Verschwindetüre komplet Con4	x	x	1	1						
B012	2651705	Carriage plate10.x disappearing door complete Con4	Schlittenplatte 10.x Verschwindetüre komplet Con4	x	x			1	1				
B012	2651706	Carriage plate 12.20 disappearing door complete Con4	Schlittenplatte 12.20 Verschwindetüre komplet Con4	x	x					1			
B012	2651707	Carriage plate 20.x disappearing door complete Con4	Schlittenplatte 20.x Verschwindetüre komplet Con4	x	x						1	1	
B013	2161968NP	Cover panel 6.10/6.20 disappearing door CNS Con4	Verkleidungsblech 6.10/6.20 CNS Verschwindetüre Con4	x	x	1	1						
B013	2161971NP	Cover panel 10.10/10.20 disappearing door CNS Con4	Verkleidungsblech 10.10/10.20 CNS Verschwindetüre Con4	x	x			1	1				
B013	2161974NP	Cover panel 12.20 disappearing door CNS Con4	Verkleidungsblech 12.20 CNS Verschwindetüre Con4	x	x					1			
B013	2161965NP	Cover panel 20.10/20.20 disappearing door Con4	Verkleidungsblech 20.10/20.20 Verschwindetüre Con4	x	x						1	1	
B014	6064167	Grid block carriage plate disappearing door Con4	Rasterklotz Schlittenplatte Verschwindetüre Con4	x	x	1	1	1	1	1	1	1	
B015	2664282	Upper hinge arm disappearing door Con4	Scharnierarm oben Verschwindetüre Con4	x	x	1	1	1	1	1	1	1	
B016	2619141	Guide roller disappearing door 30x16 P3 Con4	Führungsrolle Verschwindetüre 30x16 P3 Con4	x	x	2	2	2	2	2	2	2	
B017	2619156	Lock block stop disappearing door P3 Con4	Sicherungsklotz Verschwindetüre P3 Con4	x	x	2	2	2	2	2	2	2	
B018	2619153	Door stop disappearing door P3 Con4	Türanschlag Verschwindetüre P3 Con4	x	x	2	2	2	2	2	2	2	
B019	6064169	Support bar Disappearing door complete Con4	Stützleiste Verschwindetür komplett Con4	x	x	1	1	1	1	1	1	1	
B020	2664284	Guide rail x.20 disappearing door Con4	Fuehrungsschiene x.20 Verschwindetüre Con4	x	x	1	1						
B020	2664170	Guide rail x.10 disappearing door Con4	Fuehrungsschiene x.10 Verschwindetüre Con4	x	x	1		1			1		
B021	2664000	Stop Buffer Disappearing door Con4	Anschlagpuffer Verschwindetüre Con4	x	x	1	1	1	1	1	1	1	
B022	6064171	Stopper guidance rail disappearing door Con4	Stopper Führungsschiene Verschwindetüre Con4	x	x	1	1	1	1	1	1	1	
B023	2664164	Guide bracket table top models disappearing door Con4	Führungsbügel Tischgeräte Verschwindetüre Con4	x	x	1	1	1	1				
B023	2664165	Guide bracket floor models disappearing door Con4	Führungsbügel Standgeräte Verschwindetüre Con4	x	x					1	1	1	
B024	6056498	Door-Bracket single-stage table top model Con4	Tür-Kloben einstufig für Tischgerät Con4	x	x	1	1	1	1				
B024	6056807	Door-Bracket double-stage table top model Con4	Tür-Kloben zweistufig für Tischgerät Con4	x	x	1	1	1	1				
B024	6056499	Door-Bracket double-stage Floor model Con4	Tür-Kloben zweistufig für Standgerät Con4	x	x					1	1	1	
B025	5056328	Door contact switch Con4	Türkontaktschalter Con4	x	x	1	1	1	1	1	1	1	-600
B026	2664040	Support profile cross gasket door 12.20/20.20 Con4	Stützprofil Querdichtung Tür 12.20/20.20 Con4	x	x					1	1	1	
B026	2664041	Support profile cross gasket door 20.10 Con4	Stützprofil Querdichtung Tür 20.10 Con4	x	x						1		
B027	7056805	Crosswise door gasket 12.20/20.20 Con4	Querdichtung 12.20/20.20 Con4	x	x					1		1	
B027	7056806	Crosswise door gasket 20.10 Con4	Querdichtung 20.10 Con4	x	x						1		
B028	6064162	Backstop door floor models Con4	Gegenhalter Tür Standgeräte	x	x					1	1	1	
B031	6030647	Double ball catch large stop disappearing door Marine P3 Con4	Doppelkugelschnapper groß Verschwindetüre Marine P3 Con4	x	x	1	1	1	1	1	1	1	
B033	6056808	Support block for table top model Con4	Stützklotz für Tischgerät Con4	x	x	1	1	1	1				
B033	6056810	Cover support block for door Floor Model Con4	Abdeckung Stützklotz für Tür Standgeräte Con4	x	x					1	1	1	
B035	2664168	Lower hinge arm disappearing door Con4	Scharnierarm unten Verschwindetüre Con4	x	x	1	1	1	1	1	1	1	
B036	6064042	Label "C" red Con4	Aufkleber "C" rot Con4	x	x	1	1	1	1	1	1	1	
B037	2656836	Sealing panel preheat bridge 20.10 Con4	Dichtplatte Vorheizbrücke 20.10 Con4	x	x							1	
B037	2656837	Sealing panel preheat bridge 12.20/20.20 Con4	Dichtplatte Vorheizbrücke 12.20/20.20 Con4	x	x						1	1	
B038	6064182	Retracting arm for door V2A Ø15mm, L=390 - 590 mm Con4	Türfeststeller V2A; Ø15mm, L=390 - 590 mm Con4	x	x	1	1	1	1	1	1	1	
B039	2564271	Door 6.10 Right hand Marine cpl Con4	Tür 6.10 Rechtsanschlag Marine kpl Con4	x	x	1							
B039	2564272	Door 6.20 Right hand Marine cpl Con4	Tür 6.20 Rechtsanschlag Marine kpl Con4	x	x		1						
B039	2564273	Door 10.10 Right hand Marine cpl Con4	Tür 10.10 Rechtsanschlag Marine kpl Con4	x	x			1					
B039	2564274	Door 10.20 Right hand Marine cpl Con4	Tür 10.20 Rechtsanschlag Marine kpl Con4	x	x				1				
B039	2564275	Door 12.20 Right hand Marine cpl Con4	Tür 12.20 Rechtsanschlag Marine kpl Con4	x	x					1			
B039	2564276	Door 20.10 Right hand Marine cpl Con4	Tür 20.10 Rechtsanschlag Marine kpl Con4	x	x						1		
B039	2564277	Door 20.20 Right hand Marine cpl Con4	Tür 20.20 Rechtsanschlag Marine kpl Con4	x	x							1	
B040	2656828	Preheat bridge 20.10 Con4	Vorheizbrücke 20.10 Con4	x	x							1	
B040	2656829	Preheat bridge 12.20/20.20 Con4	Vorheizbrücke 12.20/20.20 Con4	x	x							1	
B041	2664179	Base plate door contact switch table top Con4	Halteblech Türkontaktschalter Tischgeräte Con4	x	x	1	1	1	1				
B041	2664163	Door switch mounting plate Con4	Montageblech Türkontaktschalter Con4	x	x	1	1	1	1	1	1	1	
B042	2556368	Fixing set for door drip tray baffle Con4	Reparatur-Set Türtropfwanne Verschlussklappe Con4	x	x	1	1	1	1				
B043	2525072	Door striker stop disappearing door Marine P3 Con4	Türraster Verschwindetüre Marine P3 Con4	x	x	1	1	1	1	1	1	1	
C001	5056356	SIB Control board Con4	SIB Steuerplatine Con4	x	x	1	1	1	1	1	1	1	-A1
C001	6064038	SIB Control board coated (option) Con4	SIB Steuerplatine beschichtet (Option) Con4	x	x	1	1	1	1	1	1	1	-A1
C003	5064813	Ethernet Communication Module Set easyDial Con4	Netzwerk Kommunikationsmodul Set easyDial Con4	x	x	1	1	1	1	1	1	1	
C004	2618785	Fixing accessories for controller P2 ,P3, Con4	Befestigungssset Steuerung P2, P3, Con4	x	x	1	1	1	1	1	1	1	
C006	5056385	Power Supply 12V 60W Con4	Netzteil 12V 60W Con4	x	x	1	1	1	1	1	1	1	-2T0
C006	5064143	Power Supply 12V 60W Navy Con4	Netzteil 12V 60W Schiff Con4	x	x	1	1	1	1	1	1	1	-2T0
C006	5056946	Power Supply 12V 60W UL Con4	Netzteil 12V 60W UL Con4	x	x	1	1	1	1	1	1	1	-2T0
C007	5056367	easyDial User Interface UI Con4	easyDial Bedienteil Con4	x	x	1	1	1	1	1	1	1	
C007	5056366	easyTouch User Interface UI Con4	easyTouch Bedienteil Con4	x	x	1	1	1	1	1	1	1	
C015	5056362	Switch ON/OFF incl cable for control Con4	Schalter AN/AUS inkl Kabel für Steuerung Con4	x	x	1	1	1	1	1	1	1	
C018	5056949	Speaker w. Cable and Connector EasyTouch Con4	Lautsprecher m Kabel und Verbindung EasyTouch Con4	x	x	1	1	1	1	1	1	1	
C020	5056361	USB connection incl cable for control Con4	USB Anschluss inkl Kabel für Steuerung Con4	x	x	1	1	1	1	1	1	1	
C022	5056357	Data cable 1m to SIB Con4	Datenkabel 1m zum SIB Con4	x	x	1	1	1	1	1	1	1	
C031	2664291	Serial data cable easyDial to communication module Con4	Datenkabel easyDial zu Kommunikationsmodul Con4	x	x	1	1	1	1	1	1	1	
C032	2664290	Ethernet Communication Module easyDial Con4	Netzwerk Kommunikationsmodul easyDial Con4	x	x	1	1	1	1	1	1	1	
C033	8001021	Fillister head screw M4x6	Linsenschraube M4x6	x	x	2	2	2	2	2	2	2	
C034	8001031	Fillister head screw M5x10	Linsenschraube M5x10	x	x	1	1	1	1	1	1	1	
C035	8056358	SIB mounting set Con4	SIB Befestigungs-Set Con4	x	x	1	1	1	1	1	1	1	
C036	2664288	Service Hook User Interface Con4	Servicehaken User Interface Con4	x	x	1	1	1	1	1	1	1	
C037	5056363	Casing easyDial easyTouch back part Con4	Gehäuse easyDial easyTouch Rückwand Con4	x	x	1	1	1	1	1	1	1	
C038	5064623	Cabel ON/OFF Switch Con4	Kabel AN/AUS Schalter P4 Con4	x	x	1	1	1	1	1	1	1	X35
C039	5064152	Cover USB connection for control Con4	Abdeckung USB Anschluss für Steuerung Con4	x	x	1	1	1	1	1	1	1	
C040	5056359	Encoder with cable easyDial Con4	Drehgeber mit Kabel easyDial Con4	x	x	1	1	1	1	1	1	1	
C041	5056360	Control knob easyDial Con4	Drehknopf easyDial Con4	x	x	1	1	1	1	1	1	1	

#	ET-Nr. Part No	Description	Beschreibung	Elektro	Gas	6.10	6.20	10.10	10.20	12.20	20.10	20.20	BMK / ID
C042	5056365	Casing easyDial Con4	Gehäuse easyDial Con4	x	x	1	1	1	1	1	1	1	
C042	5056364	Casing easyTouch front part Con4	Gehäuse easyTouch Frontteil Con4	x	x	1	1	1	1	1	1	1	
C043	4056002	Personal Module PM Con4	Personal Module PM Con4	x	x	1	1	1	1	1	1	1	-Z50
C049	5066657	Extension cable RJ45 CAT6 400mm Con4	Verlängerungskabel RJ45 CAT6 400mm Con4	x	x	1	1	1	1	1	1	1	
C050	5066656	Cover cap socket RJ45 Con4	Abdeckkappe Buchse RJ45 Con4	x	x	1	1	1	1	1	1	1	
C051	5012031	Ethernet jack RJ45 2 x RJ45 Con4	Buchse Ethernet RJ45 Durchgang 2 x RJ45 Con4	x	x	1	1	1	1	1	1	1	
C052	4052371	Network cable CAT6 Indust 2,0m Con4	Netzwerkkabel CAT6 Indust 2,0m Con4	x	x	1	1	1	1	1	1	1	
C052	4066399	Network cable CAT6 Indust 3,40m Con4	Netzwerkkabel CAT6 Indust 3,40m Con4	x	x	1	1	1	1	1	1	1	
C053	5050613	Front foil easyDial Con4	Frontfolie easyDial Con4	x	x	1	1	1	1	1	1	1	
C053	5050614	Front foil easyTouch Con4	Frontfolie easyTouch Con4	x	x	1	1	1	1	1	1	1	
D001	2356923	Boiler Electric 6.10 Con4 (w/o Heating Element)	Boiler Elektro 6.10 Con4 (ohne Heizungselement)	x		1							
D001	2356924	Boiler Electric 6.20 Con4 (w/o Heating Elements)	Boiler Elektro 6.20 Con4 (ohne Heizungselemente)	x		1							
D001	2356925	Boiler Electric 10.10 Con4 (w/o Heating Elements)	Boiler Elektro 10.10 Con4 (ohne Heizungselemente)	x			1						
D001	2356926	Boiler Electric 10.20 Con4 (w/o Heating Elements)	Boiler Elektro 10.20 Con4 (ohne Heizungselemente)	x				1					
D001	2356927	Boiler Electric 12.20 Con4 (w/o Heating Elements)	Boiler Elektro 12.20 Con4 (ohne Heizungselemente)	x					1				
D001	2356928	Boiler Electric 20.10 Con4 (w/o Heating Elements)	Boiler Elektro 20.10 Con4 (ohne Heizungselemente)	x						1			
D001	2356929	Boiler Electric 20.20 Con4 (w/o Heating Elements)	Boiler Elektro 20.20 Con4 (ohne Heizungselemente)	x							1		
D001	2064055	Gas boiler 6.10/10.10 CE Con4 (w/o Burner Unit)	Boiler Gas 6.10/10.10 CE Con4 (ohne Brennereinheit)	x	1		1						
D001	2064056	Gas boiler 6.20 CE Con4 (w/o Burner Unit)	Boiler Gas 6.20 CE Con4 (ohne Brennereinheit)	x		1							
D001	2064057	Gas boiler 10.20/12.20/20.10/20.20 CE Con4 (w/o Burner Unit)	Boiler Gas 10.20/12.20/20.10/20.20 CE Con4 (ohne Brennereinheit)	x				1	1	1	1	1	
D001	2064255	Gas boiler 6.10/10.10 UL Con4 (w/o Burner Unit)	Boiler Gas 6.10/10.10 UL Con4 (ohne Brennereinheit)	x	1		1						
D001	2064256	Gas boiler 6.20 UL Con4 (w/o Burner Unit)	Boiler Gas 6.20 UL Con4 (ohne Brennereinheit)	x		1							
D001	2064257	Gas boiler 10.20/12.20/20.10/20.20 UL Con4 (w/o Burner Unit)	Boiler Gas 10.20/12.20/20.10/20.20 UL Con4 (ohne Brennereinheit)	x				1	1	1	1	1	
D002	6056322	Flange seal for immersion heater Con4	Flanschdichtung für Tauchheizkörper Con4	x	1	2	2	2	3	3	3	3	
D003	5056320	Immersion heater 9kW 230V Con4	Tauchheizkörper 9kW 230V Con4	x	1	2	2	2	3	3	3	3	-4E0 -4E1 -4E2
D003	5056321	Immersion heater 13.3kW 230V Con4	Tauchheizkörper 13.3kW 230V Con4	x	1	2	2	2	1	3	3	3	-4E0 -4E1 -4E2
D003	5056930	Immersion heater 9kW 200V Con4	Tauchheizkörper 9kW 200V Con4	x	1	2	2	2	3	3	3	3	-4E0 -4E1 -4E2
D003	5056931	Immersion heater 13.3kW 200V Con4	Tauchheizkörper 13.3kW 200V Con4	x	1	2	2	2	1	3	3	3	-4E0 -4E1 -4E2
D003	5056932	Immersion heater 9kW 277V Con4	Tauchheizkörper 9kW 277V Con4	x	1	2	2	2	3	3	3	3	-4E0 -4E1 -4E2
D003	5056933	Immersion heater 13.3kW 277V Con4	Tauchheizkörper 13.3kW 277V Con4	x	1	2	2	2	1	3	3	3	-4E0 -4E1 -4E2
D005	2019700	Drainage pump boiler P3 Con4	Entleerungspumpe Boiler P3 Con4	x	x	1	1	1	1	1	1	1	-4M5
D006	6064052	Drain Elbow Boiler Con4	Ablaufwinkel Boiler Con4	x	x	1	1	1	1	1	1	1	
D007	5064073	Boiler waste water hose Ø22 6.10/6.20/10.10 Con4	Abwasserschlauch Boiler Ø22 6.10/6.20/10.10 Con4	x	1	1	1						
D007	5064074	Boiler waste water hose Ø22 10.20 to 20.20 Con4	Abwasserschlauch Boiler Ø22 10.20 bis 20.20 Con4	x	1			1	1	1	1	1	
D007	5064081	Waste water hose Boiler Ø22 6.10/6.20Electric Con4	Abwasserschlauch Boiler Ø22 6.10/6.20Elektro Con4	x	1	1							
D007	5064082	Waste water hose Boiler Ø22 10.10/10.20Electric Con4	Abwasserschlauch Boiler Ø22 10.10/10.20Elektro Con4	x			1	1					
D007	5064083	Waste water hose Boiler Ø22 12.20 to 20.20Electric Con4	Abwasserschlauch Boiler Ø22 12.20 bis 20.20Elektro Con4	x					1	1	1	1	
D008	6016500	Back flow preventer for Boiler 23° Con4	Rücksaugicherung für Boiler 23° Con4	x	x	1	1	1	1	1	1	1	
D008	6056934	Back flow preventer for Boiler 100° Con4	Rücksaugicherung für Boiler 100° Con4	x	x	1	1	1					
D009	7064048	Filling hose 600mm Ø13 6.10/6.20 Boiler Con4	Befüllschlauch 600mm Ø13 Boiler 6.10/6.20 EL GAS Con4	x	1	1	1						
D009	7064049	Filling hose 850mm Ø13 12.20/20.10/20.20 Boiler Con4	Befüllschlauch 850mm Ø13 Boiler 12.20/20.10/20.20 Con4	x	1			1	1	1	1	1	
D009	7064050	Boiler Water supply hose 960mm CE Con4	Boiler Wasserzulaufschlauch 960mm CE Con4	x	x	1	1	1	1	1	1	1	
D009	7064051	Boiler Water supply hose 960mm UL Con4	Boiler Wasserzulaufschlauch 960mm UL Con4	x	x	1	1	1	1	1	1	1	
D010	5056348	Double-level probe Con4	Doppelniveausonde Con4	x	x	1	1	1	1	1	1	1	-4B12
D010	5062289	Double-level probe self cleaning Con4	Doppelniveausonde selbstreinigend Con4	x	x	1	1	1	1	1	1	1	
D011	6056350	Seal for double-level probe P3 Con4	Flachdichtung für Doppelniveausonde P3 Con4	x	x	1	1	1	1	1	1	1	
D013	5056323	Thermocouple probe Boiler 2300mm Con4	Thermoelementfühler Boiler 2300mm Con4	x	x	1	1	1	1	1	1	1	-4B8
D013	5056948	Thermocouple probe Boiler 2300mm Con4 UL	Thermoelementfühler Boiler 2300mm Con4 UL	x	x	1	1	1	1	1	1	1	-4B8
D014	5056319	Safety temperature limiter Boiler 170° Con4	Schutztemperaturbegrenzer Boiler 170° Con4	x	x	1	1	1	1	1	1	1	-2B8
D017	2064058	Chimney gas boiler 6.10/6.20 cpl Con4	Kamin Boiler Gas 6.10/6.20 kpl Con4	x	1	1							
D017	2064059	Chimney gas boiler 10.10 cpl Con4	Kamin Boiler Gas 10.10 kpl Con4	x		1							
D017	2064060	Chimney gas boiler 10.20 cpl Con4	Kamin Boiler Gas 10.20 kpl Con4	x			1						
D017	2064061	Chimney gas boiler 12.20 cpl Con4	Kamin Boiler Gas 12.20 kpl Con4	x				1					
D017	2064062	Chimney gas boiler 20.10/20.20 cpl Con4	Kamin Boiler Gas 20.10/20.20 kpl Con4	x					1	1	1	1	
D018	2251357	Spray ChannElectric for Suction PanElectric 6.10/6.20 Electric Con4	Einspritzkanal Ansaugblech 6.10/6.20 Elektro Con4	x	1	1							
D018	2251378	Spray ChannElectric for Suction PanElectric 10.10/10.20 GAS Con4	Einspritzkanal Ansaugblech 10.10/10.20 GAS Con4	x			1	1					
D018	2251379	Spray ChannElectric for Suction PanElectric 6.10/6.20 GAS Con4	Einspritzkanal Ansaugblech 6.10/6.20 GAS Con4	x	1	1							
D018	2251424	Spray ChannElectric for Suction PanElectric 10.10/10.20 Electric Con4	Einspritzkanal Ansaugblech 10.10/10.20 Elektro Con4	x			1	1					
D018	2251425	Spray ChannElectric for Suction PanElectric 12.20 Con4	Einspritzkanal Ansaugblech 12.20 Con4	x	x				1				
D018	2251441	Injection 20.10/20.20 welded Con4	Einspritzung 20.10/20.20 geschweißt Con4	x	x					1	1	1	
D019	2064177	Piping injection top x.10 Con4	Rohrleitung Einspritzer Decke x.10 Con4	x	x	1	1			1			
D019	2064175	Piping injection top x.20 Con4	Rohrleitung Einspritzer Decke x.20 Con4	x	x	1	1	1	1	1	1	1	
D021	2230013	Pressure regulator valve 6.10 P3 Con4 + 6.06 Mini	Druckregulierungsventil 6.10 P3 Con4 + 6.06 Mini	x	x	1							-4B1
D021	2230014	Pressure regulator valve 6.20 / 10.10 / 10.20 P3 Con4	Druckregulierungsventil 6.20. 10.10. 10.20 P3 Con4	x	x	1	1	1					-4B1
D021	2230015	Pressure regulator valve 12.20 P3 Con4	Druckregulierungsventil 12.20 P3 Con4	x	x				1				-4B1
D021	2230016	Pressure regulator valve 20.20 P3 Con4	Druckregulierungsventil 20.20 P3 Con4	x	x					1	1	1	-4B1
D021	2230017	Pressure regulator valve 20.10 P3 Con4	Druckregulierungsventil 20.10 P3 Con4	x	x						1	1	-4B1
D023	6005236	O-Ring 53x3 for steam-generator emptying pump P2 P3 Con4	O-Ring 53x3 f. Dampferzeuger-Entleerungspumpe P2 P3 Con4	x	x	1	1	1	1	1	1	1	
D025	8009057	Wire clip 36 mm	Drahtschelle 36 mm	x	x	1	1	1	1	1	1	1	
D027	7064043	Drain pipe boiler Ø22 12EL 6.10/6.20/10.10 Gas Con4	Abwasserrohr Boiler Ø22 12EL 6.10/6.20/10.10 Gas Con4	x	1	1	1						
D027	7064258	Drain Pipe Boiler Ø22mm 10.10 10.20 EL Con4	Abwasserrohr Boiler Ø22mm 10.10 10.20 EL Con4	x			1	1					
D027	7064259	Drain Pipe Boiler Ø22mm 12.20 20.10 20.20 EL Con4	Abwasserrohr Boiler Ø22mm 12.20 20.10 20.20 EL Con4	x					1	1	1	1	
D027	7064044	Drain pipe boiler Ø22 GAS 10.20 to 20.20 Con4	Abwasserrohr Boiler Ø22 GAS 10.20 bis 20.20 Con4	x					1	1	1	1	
D028	2364407	Suction hose Ø 10 Boiler Con4	Saugschlauch Ø 10 Boiler Con4	x	1	1	1	1	1	1	1	1	
D029	6064254	Connector G3/4" Backflowpreventer Gas Boiler Con4	Anschluss G3/4" Rücksaugicherung Gas Boiler Con4	x	1	1	1	1	1	1	1	1	
D030	2364203	Bracket pump boiler electric Con4	Halteblech Entleerungspumpe Elektro Con4	x	1	1	1	1	1	1	1	1	
D030	2364204	Bracket pump boiler gas Con4	Halteblech Entleerungspumpe GAS Con4	x	1	1	1	1	1	1	1	1	
D031	3465312	Boiler Filter electric Table-top unit Con4	Boiler Filter Elektro Tischgeräte Con4	x	1	1	1	1					
D031	3465313	Boiler Filter electric Floor-standing unit Con4	Boiler Filter Elektro Standgeräte Con4	x						1	1	1	
E001	5056347	Motor 0.35kW 215V50Hz Con4	Motor 0.35kW 215V50Hz Con4	x	x	1	1	1	1	1	2	2	-3M5 -3M6
E002	2617294	Fixing parts for motor P3 Con4	Motorbefestigung Set P3 Con4	x	x	1	1	1	1	1	2	2	
E003	2617295	Seal for Motor shaft	Motorwellendichtung	x	x	1	1	1	1	2	2	2	
E004	6064173	Distance Motor Con4	Abstandsbochse Motor Con4	x	x	1	1	1	1	2	2	2	
E005	6056333	Fan wheel 6.10/10.10/20.10 Con4	Lüfterrad 6.10/10.10/20.10 Con4	x	x	1	1	1					
E005	6056334	Fan wheel 6.20/10.20/12.20/20.20 Con4	Lüfterrad 6.20/10.20/12.20/20.20 Con4	x	x	1	1	1	1	1	2	2	
E006	2617293	Fan Wheel fixing P3 CON4	Lüfterradbefestigung P3 CON4	x	x	1	1	1	1	1	2	2	
E007	5056330	Heating element Convection 6.10 10.5 kW 230V Con4	Heizelement Heißluft 6.10 10.5 kW 230V Con4	x	1								-3E0
E007	5056331	Heating element Convection 6.20/10.10/20.10 18.9kW 230V Con4	Heizelement Heißluft 6.20/10.10/20.10 18.9 kW 230V Con4	x		1	1			2			-3E0 -3E1
E007	5056332	Heating element Convection 10.20/12.20/20.20 2x16.5kW 230V Con4	Heizelement Heißluft 10.20/12.20/20.20 2x16.5kW 230V Con4	x				1	1		2		-3E0 -3E1
E007	5056935	Heating element Convection 6.10 10.5 kW 200V Con4	Heizelement Heißluft 6.10 10.5 kW 200V Con4	x	1								-3E0
E007	5056936	Heating element Convection 6.20/10.10/20.10 18.9kW 200V Con4	Heizelement Heißluft 6.20/10.10/20.10 18.9 kW 200V Con4	x		1	1			2			-3E0 -3E1
E007	5056937	Heating element Convection 10.20/12.20/20.20 2x16.5kW 200V Con4	Heizelement Heißluft 10.20/12.20/20.20 2x16.5kW 200V Con4	x				1	1		2		-3E0 -3E1
E007	5056938	Heating element Convection 6.10 10.5 kW 277V Con4	Heizelement Heißluft 6.10 10.5 kW 277V Con4	x	1								-3E0
E007	5056939	Heating element Convection 6.20/10.10/20.10 18.9kW 277V Con4	Heizelement Heißluft 6.20/10.10/20.10 18.9 kW 277V Con4	x		1	1			2			-3E0 -3E1
E007	5056940	Heating element Convection 10.20/12.20/20.20 2x16.5kW 277V Con4	Heizelement Heißluft 10.20/12.20/20.20 2x16.5kW 277V Con4	x				1	1		2		-3E0 -3E1
E007	5064166	Heating element Convection 6.20/10.10/20.10 10kW 230V social Con4	Heizelement Heißluft 6.20/10.10/20.10 10kW 230V Sonder Con4	x		1	1			2			-3E0 -3E1

#	ET-Nr. Part No	Description	Beschreibung	Elektro	Gas	6.10	6.20	10.10	10.20	12.20	20.20	BMK / ID
E008	2623227	Mount. set convect heating elem 10.20/12.20/20.20 P3 Con4	Befest. Set Heißluft Heizelem 10.20/12.20/20.20 P3 Con4	x					1	1	2	
E008	2623226	Mount. set convect heat.elem 6.10/6.20/10.10/20.10 P3 Con4	Bef. Set Heißluft Heizelem 6.10/6.20/10.10/20.10 P3 Con4	x	1	1	1				2	
E010	2264172	Air Shield Innerchamber Probe Con4	Abschirmblech Garraumfühler Con4	x	x	1	1	1	1	1	1	
E011	5056329	Safety temperature limiter 340° C P3 Con4	Schutztemperaturbegrenzer 340° C P3 Con4	x	x	1	1	1	1	1	1	-2B7
E012	5056324	Thermocouple probe M5 3200mm Con4	Thermoelementfühler M5 3200mm Con4	x	x	4	4	4	4	4	4	-3B6 -5B3 -5B5 -4B4 -5B4
E012	5056947	Thermocouple probe M5 3200mm Con4 UL	Thermoelementfühler M5 3200mm Con4 UL	x	x	4	4	4	4	4	4	-3B6 -5B3 -5B5 -4B4 -5B4
E013	2064001	Heat Exchanger Convection 6.10 welded Con4	Wärmetauscher Heißluft 6.10 geschw Con4	x	1							
E013	2064002	Heat Exchanger Convection 6.20 welded Con4	Wärmetauscher Heißluft 6.20 geschw Con4	x		1						
E013	2064003	Heat Exchanger Convection 10.10 / 20.10 top welded Con4	Wärmetauscher Heißluft 10.10 / 20.10 oben geschw Con4	x			1				1	
E013	2064004	Heat Exchanger Convection 10.20 / 20.20 top welded Con4	Wärmetauscher Heißluft 10.20 / 20.20 oben geschw Con4	x				1			1	
E013	2064005	Heat Exchanger Convection 12.20 welded Con4	Wärmetauscher Heißluft 12.20 geschw Con4	x					1			
E014	2064008	Extension Heat Exchanger Convection 20.10 welded Con4	Verlängerung Wärmetauscher Heißluft 20.10 geschw Con4	x						1		
E014	2064009	Extension Heat Exchanger Convection 20.20 welded Con4	Verlängerung Wärmetauscher Heißluft 20.20 geschw Con4	x							1	
E015	2664269	Counter flange chimney Ø50 Con4	Gegenflansch Kamin Ø50 Con4	x	1	1	1				1	
E015	2664270	Counter flange chimney Ø70 Con4	Gegenflansch Kamin Ø70 Con4	x				1	1	1	1	
E016	2664183	Cover Sheet Chimney Convection 6.10/10.10, Boiler 6.10/10.10 Con4	Deckblech Kamin Heißluft 6.10/10.10, Boiler 6.10/10.10, Con4	x	1		1					
E016	2664184	Cover Sheet Chimney Convection + Boiler 6.20 Con4	Deckblech Kamin Heißluft + Boiler 6.20, Con4	x		1						
E016	2664185	Cover Sheet Chimney Convection 10.20/12.20, Boiler 10.20 Con4	Deckblech Kamin Heißluft 10.20/12.20, Boiler 10.20 Con4	x				1				
E016	2664186	Cover Sheet Chimney Convection 20.10 Con4	Deckblech Kamin Heißluft 20.10 Con4	x							1	
E016	2664187	Cover Sheet Chimney Convection 20.20 Con4	Deckblech Kamin Heißluft 20.20 Con4	x							1	
E016	2664188	Cover Sheet Chimney Boiler 12.20/20.10/20.20 Con4	Deckblech Kamin Boiler 12.20/20.10/20.20 Con4	x					1	1	1	
E017	2064006	Heat Exchanger Convection 20.10 bottom welded Con4	Wärmetauscher Heißluft 20.10 unten geschw Con4	x						1		
E017	2064007	Heat Exchanger Convection 20.20 bottom welded Con4	Wärmetauscher Heißluft 20.20 unten geschw Con4	x							1	
E018	6064015	Gasket hot air burner chamber 6.10/6.20/10.10/20.10 Con4	Dichtung Brennerkam. Heißluft 6.10/6.20/10.10/20.10 Con4	x	1	1	1				1	
E018	6064016	Gasket hot air burner chamber 10.20/12.20/20.20 Con4	Dichtung Brennerkammer Heißluft 10.20/12.20/20.20 Con4	x				1	1	1	1	
E019	6056351	Gasket temp probe 5 pc. OSC/OSP P2 P3 Con4	Dichtung Thermoelment. 5 St. OSC/OSP P2 P3 Con4	x	4	4	4	4	4	4	4	
E021	2064054	spacer chimney cover (12 pcs) Con4	Scheibe Kamin (12 Stück) Con4	x	8	8	8	8	8	12	12	
E022	6064078	Gasket boiler burner chamber 6.10/6.20/10.10 Con4	Dichtung Brennerkammer Boiler 6.10/6.20/10.10 Con4	x	1	1	1					
E022	6064079	Gasket boiler burner chamber 10.20 to 20.20 Con4	Dichtung Brennerkammer Boiler 10.20 bis 20.20 Con4	x	1	1	1	1	1	1	1	
E023	6064017	Gasket exhaust Convection Ø50 Con4	Dichtung Kamin Heißluft Ø50 Con4	x	1	1	1				1	
E023	6064018	Gasket exhaust Convection Ø70 Con4	Dichtung Kamin Heißluft Ø70 Con4	x				1	1	1	1	
E024	6065802	Aluminum ventilator, including screw Ø180 Con4	Zwischenlüfter Alu inkl. Schraube Ø180 Con4	x	1	1	1	1	1	2	2	
E025	2666340	Fixing Set hot air heat exchanger–burner Con4	Befestigungs-Set Wärmetauscher–Heißluftbrenner Con4	x	1	1	1	1	1	2	2	
F001	2064063	Hot air burner unit 10.20/20.20 cpl Con4	Brennerereinheit Heißluft 10.20/20.20 kpl Con4	x				1			2	
F001	2064064	Hot air burner unit 6.10 cpl Con4	Brennerereinheit Heißluft 6.10 kpl Con4	x	1							
F001	2064065	Hot air burner unit 6.20 cpl Con4	Brennerereinheit Heißluft 6.20 kpl Con4	x		1						
F001	2064200	Hot air burner unit 20.10 top cpl Con4	Brennerereinheit Heißluft 20.10 oben kpl Con4	x							1	
F001	2064066	Hot air burner unit 10.10/20.10 bottom cpl Con4	Brennerereinheit Heißluft 10.10/20.10 unten kpl Con4	x		1					1	
F001	2064068	Hot air burner unit 12.20 cpl Con4	Brennerereinheit Heißluft 12.20 kpl Con4	x					1			
F002	5056959	Burner fan 230V 110W CE/UL Con4	Brennergebläse 230V 110W CE/UL Con4	x	2	2	2	2	2	3	3	-3M1 -3M2 -4M1
F003	6056960	Venturi 40kW P3 Con4	Venturi 40kW P3 Con4	x	2	2	2	2	2	3	3	
F004	6056955	Gas Valve 230V CE Con4	Gasventil 230V CE Con4	x	2	2	2	2	2	3	3	-3T1 -3T2 -4T1
F004	6056956	Gas Valve 110V UL Con4	Gasventil 110V UL Con4	x	2	2	2	2	2	3	3	-3T1 -3T2 -4T0
F005	6056957	Firing device 230V CE Con4	Feuerungsautomat 230V CE Con4	x	2	2	2	2	2	3	3	-3T1 -3T2 -4T1
F005	6056958	Firing device 110V UL Con4	Feuerungsautomat 110V UL Con4	x	2	2	2	2	2	3	3	-3T1 -3T2 -4T2
F007	4056951	Ignition + Ground electrode boiler Con4	Zünd- + Masseelektrode Boiler Con4	x	1	1	1	1	1	1	1	
F008	4056950	Ignition + Ground electrode convection Con4	Zünd- + Masseelektrode Heißluft Con4	x	1	1	1	1	1	2	2	
F012	2064220	Gas Pipe Sprayer 6.10 CE Con4	Gasleitung Spritzer 6.10 CE Con4	x	1							
F012	2064221	Gas Pipe Sprayer 6.20 CE	Gasleitung Spritzer 6.20 CE	x		1						
F012	2064222	Gas Pipe Sprayer 10.10/10.20/12.20 CE	Gasleitung Spritzer 10.10/10.20/12.20 CE	x			1	1	1			
F012	2064223	Gas Pipe Sprayer 6.10 UL Con4	Gasleitung Spritzer 6.10 UL Con4	x	1							
F012	2064224	Gas Pipe Sprayer 6.20 UL	Gasleitung Spritzer 6.20 UL	x		1						
F012	2064225	Gas Pipe Sprayer 10.10 UL	Gasleitung Spritzer 10.10 UL	x			1					
F012	2064227	Gas Pipe Sprayer 10.20/12.20 UL	Gasleitung Spritzer 10.20/12.20 UL	x				1	1			
F012	6064247	Gas Tube 800mm 6.10 Hotair Con4	Gasschlauch 800mm 6.10 Heißluft Con4	x	H							
F012	6064248	Gas Tube 500mm Con4	Gasschlauch 500mm Con4	x	B	B	H	H	B, H		H2	
F012	6064249	Gas Tube 350mm Con4	Gasschlauch 350mm Con4	x				B		B, H2		
F012	6064250	Gas Tube 700mm Con4	Gasschlauch 700mm Con4	x		H	B					
F012	6064251	Gas Tube 1100mm Con4	Gasschlauch 1100mm Con4	x							H1	
F012	6064252	Gas Tube 1300mm Con4	Gasschlauch 1300mm Con4	x								
F013	6064075	Gasket burner fan Con4	Dichtung Brennergebläse Con4	x	4	4	4	4	4	6	6	
F014	6017000	Gas restriction plate Ø520 P3 Con4	Gasblende Ø520 P3 Con4	x								
F014	6017001	Gas restriction plate Ø400 P3 Con4	Gasblende Ø400 P3 Con4	x								
F014	6017002	Gas restriction plate Ø430 P3 Con4	Gasblende Ø430 P3 Con4	x								
F014	6017003	Gas restriction plate Ø440 P3 Con4	Gasblende Ø440 P3 Con4	x								
F014	6017004	Gas restriction plate Ø550 P3 Con4	Gasblende Ø550 P3 Con4	x								
F014	6017005	Gas restriction plate Ø580 P3 Con4	Gasblende Ø580 P3 Con4	x								
F014	6017006	Gas restriction plate Ø630 P3 Con4	Gasblende Ø630 P3 Con4	x								
F014	6017007	Gas restriction plate Ø660 P3 Con4	Gasblende Ø660 P3 Con4	x								
F014	6017008	Gas restriction plate Ø680 P3 Con4	Gasblende Ø680 P3 Con4	x								
F014	6017010	Gas restriction plate Ø620 P3 Con4	Gasblende Ø620 P3 Con4	x								
F014	6017011	Gas restriction plate Ø470 P3 Con4	Gasblende Ø470 P3 Con4	x								
F014	6017012	Gas restriction plate Ø700 P3 Con4	Gasblende Ø700 P3 Con4	x								
F014	6017013	Gas restriction plate Ø490 P3 Con4	Gasblende Ø490 P3 Con4	x								
F014	6057150	Gas restriction plate Ø600 P3 Con4	Gasblende Ø600 P3 Con4	x								
F014	6062419	Gas restriction plate Ø420 P3 Con4	Gasblende Ø420 P3 Con4	x								
F014	6062420	Gas restriction plate Ø340 P3 Con4	Gasblende Ø340 P3 Con4	x								
F014	6062423	Gas restriction plate Ø360 P3 Con4	Gasblende Ø360 P3 Con4	x								
F014	7064100	Universal gasket kit Con4 Gas	Universaldichtungssatz Con4 Gas	x	1	1	1	1	1	1	1	
F014	2662350	Conversion Set Universal CE Gas Orifices Con4	Umrüstset Universal CE Gas Düsen Convotherm4	x	1	1	1	1	1	1	1	
F014	2662351	Conversion Set 6.10 CE Gas Orifices Con4	Umrüstset 6.10 CE Gas Düsen Convotherm4	x	1							
F014	2662354	Conversion Set 6.20 CE Gas Orifices Con4	Umrüstset 6.20 CE Gas Düsen Convotherm4	x		1						
F014	2662357	Conversion Set 10.10 CE Gas Orifices Con4	Umrüstset 10.10 CE Gas Düsen Convotherm4	x			1					
F014	2662360	Conversion Set 10.20/12.20 CE Gas Orifices Con4	Umrüstset 10.20/12.20 CE Gas Düsen Convotherm4	x				1	1			
F014	2662363	Conversion Set 20.10 CE Gas Orifices Con4	Umrüstset 20.10 CE Gas Düsen Convotherm4	x						1		
F014	2662366	Conversion Set 20.20 CE Gas Orifices Con4	Umrüstset 20.20 CE Gas Düsen Convotherm4	x							1	
F014	2662369	Conversion Set 6.10 UL Gas Orifices Con4	Umrüstset 6.10 UL Gas Düsen Convotherm4	x	1							
F014	2662370	Conversion Set 6.20 UL Gas Orifices Con4	Umrüstset 6.20 UL Gas Düsen Convotherm4	x		1						
F014	2662371	Conversion Set 10.10 UL Gas Orifices Con4	Umrüstset 10.10 UL Gas Düsen Convotherm4	x			1					
F014	2662372	Conversion Set 10.20 UL Gas Orifices Con4	Umrüstset 10.20 UL Gas Düsen Convotherm4	x				1				
F014	2662373	Conversion Set 12.20 UL Gas Orifices Con4	Umrüstset 12.20 UL Gas Düsen Convotherm4	x					1			



#	ET-Nr. Part No	Description	Beschreibung	Elektro	Gas	6.10	6.20	10.10	10.20	12.20	20.10	20.20	BMK / ID
F014	2662374	Conversion Set 20.10 UL Gas Orifices Con4	Umrüstset 20.10 UL Gas Düsen Convotherm4		x						1		
F014	2662375	Conversion Set 20.20 UL Gas Orifices Con4	Umrüstset 20.20 UL Gas Düsen Convotherm4		x							1	
F016	2664070	Gas connector R3/4" welded Con4	Gasanschluss R3/4" geschw Con4		x	1	1	1	1	1	1	1	
F016	2664071	Gas connector 1/2" NPT welded Con4	Gasanschluss 1/2" NPT geschw Con4		x	1	1	1					
F016	2664072	Gas connector 3/4" NPT welded Con4	Gasanschluss 3/4" NPT geschw Con4		x				1	1	1	1	
F017	2657782NP	Intake system 2x90° Baffle Ø33 hose 800mm Con4	Ansaugstrecke 2x90° Blende Ø33 Schlauch 800mm Con4		x				B, H	B, H	B		B, H, H
F017	2657783NP	Air Intake Venturi 90° Baffle Ø33 Con4	Ansaugstutzen Venturi 90° Blende Ø33 Con4		x								B, H
F017	2657784NP	Air Intake Venturi straight Baffle Ø19 Con4	Ansaugstutzen Venturi gerad Blende Ø19 Con4		x	B, H	B, H						
F017	2657785NP	Air Intake Venturi straight Baffle Ø23 Con4	Ansaugstutzen Venturi gerad Blende Ø23 Con4		x								
F017	2657786NP	Air Intake Venturi straight Baffle Ø25 EU Con4	Ansaugstutzen Venturi gerad Blende Ø25 EU Con4		x			B, H					
F017	2657786NP	Air Intake Venturi straight Baffle Ø25 Con4	Ansaugstutzen Venturi gerad Blende Ø25 Con4		x		B				H		
F017	2662469NP	Air Intake Venturi 90° Baffle Ø25 Con4	Ansaugstutzen Venturi 90° Blende Ø25 Con4		x						H		
F018	2064019	Boiler burner unit 6.10 /10.10cpl Con4	Brennereinheit Boiler Gas 6.10 /10.10 kpl Con4		x	1	1						
F018	2064020	Boiler burner unit 6.20 cpl Con4	Brennereinheit Boiler Gas 6.20 kpl Con4		x		1						
F018	2064021	Boiler burner unit 10.20 to 20.20 cpl Con4	Brennereinheit Boiler Gas 10.20 bis 20.20 kpl Con4		x				1	1	1	1	
F022	2664229	Adapter box 180° for venturi Con4	Adapter Venturi 180° Kasten Con4		x		H	H			H		
F022	2664230	Adapter 110° for venturi Con4	Adapter Venturi 110° Con4		x	B		B					
F023	2655497	Baffle Blower Fan Ø23 UL Con4	Blende Gebläse Ø23 UL Con4		x				B			B	
F023	2655498	Baffle Blower Fan Ø24 UL Con4	Blende Gebläse Ø24 UL Con4		x				H			H	
F023	2655499	Baffle Blower Fan Ø18 CE Con4	Blende Gebläse Ø18 CE Con4		x				B, H			H	
F023	2655499	Baffle Blower Fan Ø18 UL Con4	Blende Gebläse Ø18 UL Con4		x	B, H	B, H	B, H				H	
F023	2657824	Baffle Blower Fan Ø16 CE Con4	Blende Gebläse Ø16 CE Con4		x	B, H							
F023	2657900	Baffle Blower Fan Ø19 (AU) EU Con4	Blende Gebläse Ø19 (AU) EU Con4		x		B, H	(H)			(H)		
F023	2657901	Baffle Blower Fan Ø22 Con4	Blende Gebläse Ø22 Con4		x					H			
F023	2657901	Baffle Blower Fan Ø22 CE Con4	Blende Gebläse Ø22 CE Con4		x				H			H	
F023	2657902	Baffle Blower Fan Ø25 CE Con4	Blende Gebläse Ø25 CE Con4		x				B	B	B	B	
F023	2657902	Baffle Blower Fan Ø25 UL Con4	Blende Gebläse Ø25 UL Con4		x						B	B	
F024	2664253	Clip burner Con4	Klammer Brenner Con4		x	x	x	x	x	x	x	x	
F025	6056952	Main gas valve 3/4" CE 230V Con4	Gas-Hauptventil 3/4" CE 230V Con4		x	1	1	1	1	1	1	1	-2M2
F025	6056953	Main gas valve 1/2" 6.10 / 6.20 / 10.10 UL 115V Con4	Gas-Hauptventil 1/2" 6.10 / 6.20 / 10.10 UL 115V Con4		x	1	1	1					-2M2
F025	6056954	Main gas valve 3/4" 10.20/12.20/20.10/20.20 UL 115V Con4	Gas-Hauptventil 3/4" 10.20/12.20/20.10/20.20 UL 115V Con4		x	1	1	1	1	1	1	1	-2M2
F026	6064590	Gas distributor 2-way NPT 1/2" UL Con4	Gasverteiler 2-Wege NPT 1/2" UL Con4		x	1	1	1					
F026	6064591	Gas distributor 2-way NPT 3/4" UL Con4	Gasverteiler 2-Wege NPT 3/4" UL Con4		x				1	1	1	1	
F026	6064592	Gas distributor 3-way NPT 3/4" UL Con4	Gasverteiler 3-Wege NPT 3/4" UL Con4		x								1
F026	6064593	Gas distributor 2-way R 3/4" CE Con4	Gasverteiler 2-Wege R 3/4" CE Con4		x	1	1	1	1	1	1	1	
F026	6064594	Gas distributor 3-way R 3/4" CE Con4	Gasverteiler 3-Wege R 3/4" CE Con4		x								1
F027	2662478	Heat shield convection burner 10.20/12.20/20.20 Con4	Wärmeschutzblech Brenner Heißluft 10.20/12.20/20.20 Con4		x				1	1	2	2	
F028	6064077	Sealing ring gas overlay P3 Con4	Dichtring Gasblende Boiler P3 Con4		x	2	2	2	2	2	3	3	
F029	6064076	Sealing ring cork Venturi P3 Con4	Korkdichtung Venturi P3 Con4		x	1	1	1	1	1	1	1	
F030	6064080	Gasket ignition electrode Con4	Dichtung Zündelektrode Boiler Con4		x	2	2	2	2	3	3	3	
F031	2664714	Gas connector R3/4" welded Con4	Gasanschluss R3/4" geschw Con4		x	1	1	1	1	1	1	1	
G001	5056379	Solenoid valve dual 230V Con4	Magnetventil 2fach 230V Con4		x	1	1	1	1	1	1	1	-2M5 -5M1
G001	5050512	Solenoid valve triple 230V Con4	Magnetventil 3fach 230V Con4		x	1	1	1	1	1	1	1	-2M5 -5M1 -5M4
G002	7050500	Potable Water Tube - DN10 Con4	Wasserschlauch DN10 Con4		x	1	1	1	1	1	1	1	
G006	6015215	G1/2 Right-angle pipe connector 3/8" with washer P3 Con4	G1/2 Winkel-Schlauchanschluss 3/8" m. Dichtung P3 Con4		x	2	2	2	2	3	3	3	
G010	2625199	Hand-shower hose for retractable hand shower P3 Con4	Brauseschlauch für Rollhandbrause P3 Con4		x	1	1	1	1	1	1	1	
G011	6056382	Retractable hand shower button Con4	Rollhandbrause Knopf Con4		x	1	1	1	1	1	1	1	
G012	6064246	Holder retractable Hand shower Con4	Halter Rollhandbrause Con4		x								1
G015	6006086	Hose clamp 12 - 22 zinc plated Con4	Schlauchschele 12 - 22 verzinkt Con4		x	4	4	4	4	4	4	4	
G016	6006087	Hose clip 25-40mm	Schlauchbinder 25-40mm		x								1
G017	6006089	Hose clip 40-60mm	Schlauchbinder 40-60mm		x	1	1	1	1	1	1	1	
G030	6056491	Retractable hand shower for Table Top Model Con4	Rollhandbrause Tischgeräte Con4		x	1	1	1	1				
G030	6056492	Retractable hand shower for Floor Model Con4	Rollhandbrause Standgeräte Con4		x								1
G031	6064811	Screw socket M6x80 Retractable Handshower Con4	Gewindebuchse M6x80 Rollhandbrause Con4		x						3	3	3
G035	2625203	Spring rewriter for retractable hand shower P3 Con4	Federspanner für Rollhandbrause P3 on4		x	1	1	1	1	1	1	1	
G036	4064180	Microswitch Retractable Handshower Con4	Mikroschalter Rollhandbrause Con4		x	1	1	1	1	1	1	1	
G041	5064067	Solenoid valve single 230V (opt without Handshower) Con4	Magnetventil 1fach 230V (option ohne Handbrause) Con4		x	1	1	1	1	1	1	1	-5M1
G047	6064181	Protective Hose for retractable Hand shower 20.20 Con4	Schutzschlauch für Rollhandbrause 20.20 Con4		x								1
G047	6064174	Protective Hose for retractable Hand shower 20.10 Con4	Schutzschlauch für Rollhandbrause 20.10 Con4		x								1
G047	6064178	Protective Hose for retractable Hand shower 12.20 Con4	Schutzschlauch für Rollhandbrause 12.20 Con4		x					1			
G047	2664217	Protective Hose for retractable Hand shower 12.20 GAS Con4	Schutzschlauch für Rollhandbrause 12.20 GAS Con4		x								1
G065	5056375	Pressure switch injection P3 Con4	Druckschalter Einspritzung P3 Con4		x	1	1	1	1	1	1	1	-4B1
G073	5056378	Solenoid valve single 230V Con4	Magnetventil 1fach 230V Con4		x	1	1	1	1	1	1	1	-4M6 -4M7
G076	5056377	Flowmeter Con4	Durchflussmesser Con4		x	1	1	1	1	1	1	1	-5B2
G077	2050481	water piping Electro/Gas Boiler 6.10/6.20 CE Con4	Wasserverschlauchung Elektro/Gas Boiler 6.10/6.20 CE Con4		x	1	1						
G077	2050487	water piping Electro Boiler 10.10/10.20 and Gas Boiler 10.10 CE Con4	Wasserverschlauchung Elektro Boiler 10.10/10.20 und Gas Boiler 10.10 CE Con4		x			1	1				
G077	2050497	water piping Electro Boiler 12.20/20.10/20.20 and Gas Boiler 10.20 CE Con4	Wasserverschlauchung Elektro Boiler 12.20/20.10/20.20 und Gas Boiler 10.20 CE Con4		x					1	1	1	
G077	2055265	water piping Electro / Gas Boiler 6.10 / 6.20 UL Con4	Wasserverschlauchung Elektro / Gas Boiler 6.10 / 6.20 UL Con4		x	1	1						
G077	2055266	water piping Electro Boiler 10.10/10.20 and Gas Boiler 10.10 UL Con4	Wasserverschlauchung Elektro Boiler 10.10/10.20 und Gas Boiler 10.10 UL Con4		x			1	1				
G077	2055268	water piping Electro Boiler 12.20/20.10/20.20 and Gas Boiler 10.20 UL Con4	Wasserverschlauchung Elektro Boiler 12.20/20.10/20.20 und Gas Boiler 10.20 UL Con4		x				1	1	1	1	
G077	2062569	water piping Gas Boiler 12.20/20.10/20.20 CE Con4	Wasserverschlauchung Gas Boiler 12.20/20.10/20.20 CE Con4		x						1	1	1
G077	2062570	water piping Gas Boiler 12.20/20.10/20.20 UL Con4	Wasserverschlauchung Gas Boiler 12.20/20.10/20.20 UL Con4		x						1	1	1
G077	2055234	water piping Elektro Sprayer 6.10 CE Con4	Wasserverschlauchung Elektro Spritzer 6.10 CE Con4		x	1							
G077	2055235	water piping Elektro Sprayer 6.20 Con4	Wasserverschlauchung Elektro Spritzer 6.20 Con4		x		1						
G077	2055236	water piping Elektro Sprayer 10.10 10.20 Con4	Wasserverschlauchung Elektro Spritzer 10.10 10.20 Con4		x			1	1				
G077	2055237	water piping Elektro Sprayer 12.20 Con4	Wasserverschlauchung Elektro Spritzer 12.20 Con4		x					1			
G077	2055238	water piping Elektro Sprayer 20.10 20.20 Con4	Wasserverschlauchung Elektro Spritzer 20.10 20.20 Con4		x							1	1
G077	2055269	water piping Elektro Sprayer 6.10 UL Con4	Wasserverschlauchung Elektro Spritzer 6.10 UL Con4		x	1							
G077	2055270	water piping Elektro Sprayer 6.20 UL Con4	Wasserverschlauchung Elektro Spritzer 6.20 UL Con4		x		1						
G077	2055271	water piping Elektro Sprayer 10.10 10.20 UL Con4	Wasserverschlauchung Elektro Spritzer 10.10 10.20 UL Con4		x			1	1				



#	ET-Nr. Part No	Description	Beschreibung	Elektro	Gas	6.10	6.20	10.10	10.20	12.20	20.10	20.20	BMK / ID
G077	2055272	water piping Elektro Sprayer 12.20 UL Con4	Wasserverschlauchung Elektro Spritzer 12.20 UL Con4	x	x								
G077	2055273	water piping Elektro Sprayer 20.10 20.20 UL Con4	Wasserverschlauchung Elektro Spritzer 20.10 20.20 UL Con4	x	x								
G077	2065275	water piping Gas Boiler 20.10 20.20 CE Con4	Wasserverschlauchung Gas Boiler 20.10 20.20 CE Con4	x	x								
G078	2050482	Water tubing Collector retractable 6.10/10.10 Con4	Wasserverschlauchung Sammler 6.10/10.10 kpl Con4	x	x	1		1					
G078	2050485	Water tubing Collector retractable 6.20/10.20 Con4	Wasserverschlauchung Sammler 6.20/10.20 kpl Con4	x	x		1		1				
G078	2050494	Water tubing Collector retractable 12.20/20.20 UL Con4	Wasserverschlauchung Sammler 12.20/20.20 UL kpl Con4	x	x					1		1	
G078	2050496	Water tubing Collector retractable 20.10 UL Con4	Wasserverschlauchung Sammler 20.10 UL kpl Con4	x	x						1		
G078	2050492	Water tubing Collector retractable hand shower 12.20 Con4	Wasserverschlauchung Sammler RHB 5 kpl Con4	x	x				1				
G078	2050495	Water tubing Collector retractable hand shower 20.10 Con4	Wasserverschlauchung Sammler RHB 6 kpl Con4	x	x						1		
G078	2050499	Water tubing Collector retractable hand shower 20.20 Con4	Wasserverschlauchung Sammler RHB 7 kpl Con4	x	x							1	
G078	2055262	Water tubing Collector retractable hand shower 12.20 UL Con4	Wasserverschlauchung Sammler RHB 5 UL kpl Con4	x	x				1				
G078	2055263	Water tubing Collector retractable hand shower 20.10 UL Con4	Wasserverschlauchung Sammler RHB 6 UL kpl Con4	x	x						1		
G078	2055264	Water tubing Collector retractable hand shower 20.20 UL Con4	Wasserverschlauchung Sammler RHB 7 UL kpl Con4	x	x							1	
G078	2050483	Water tubing Collector retractable hand shower 20.10.10 10.10 Con4	Wasserverschlauchung Sammler RHB 1 3 kpl Con4	x	x	1		1					
G078	2050486	Water tubing Collector retractable hand shower 20.10.20 10.10 Con4	Wasserverschlauchung Sammler RHB 2 4 kpl Con4	x	x		1		1				
G078	2055260	Water tubing Collector retractable hand shower 20.10.10 10.10 UL Con4	Wasserverschlauchung Sammler RHB 1 3 UL kpl Con4	x	x	1		1					
G078	2055261	Water tubing Collector retractable hand shower 20.10.20 10.10 UL Con4	Wasserverschlauchung Sammler RHB 2 4 UL kpl Con4	x	x		1		1				
G078	2057129	water piping condenser retractable handshower 6.10 CE Con4	Wasserverschlauchung Kondensationseinheit Rollhandbrause 6.10 CE	x	x	1							
G078	2057130	water piping condenser retractable handshower 6.20 CE Con4	Wasserverschlauchung Kondensationseinheit Rollhandbrause 6.20 CE	x	x		1						
G078	2057131	water piping condenser retractable handshower 10.10 CE Con4	Wasserverschlauchung Kondensationseinheit Rollhandbrause 10.10 CE Con4	x	x			1					
G078	2057132	water piping condenser retractable handshower 10.20 CE Con4	Wasserverschlauchung Kondensationseinheit Rollhandbrause 10.20 CE Con4	x	x				1				
G078	2057133	water piping condenser retractable handshower 12.20 CE Con4	Wasserverschlauchung Kondensationseinheit Rollhandbrause 12.20 CE Con4	x	x					1			
G078	2057134	water piping condenser retractable handshower 20.10 CE Con4	Wasserverschlauchung Kondensationseinheit Rollhandbrause 20.10 CE Con4	x	x						1		
G078	2057135	water piping condenser retractable handshower 20.20 CE Con4	Wasserverschlauchung Kondensationseinheit Rollhandbrause 20.20 CE Con4	x	x							1	
G078	2062501	water piping condenser retractable handshower 6.10 UL Con4	Wasserverschlauchung Kondensationseinheit Rollhandbrause 6.10 UL Con4	x	x	1							
G078	2062502	water piping condenser retractable handshower 6.20 UL Con4	Wasserverschlauchung Kondensationseinheit Rollhandbrause 6.20 UL Con4	x	x		1						
G078	2062503	water piping condenser retractable handshower 10.10 UL Con4	Wasserverschlauchung Kondensationseinheit Rollhandbrause 10.10 UL Con4	x	x			1					
G078	2062504	water piping condenser retractable handshower 10.20 UL Con4	Wasserverschlauchung Kondensationseinheit Rollhandbrause 10.20 UL Con4	x	x				1				
G078	2062505	water piping condenser retractable handshower 12.20 UL Con4	Wasserverschlauchung Kondensationseinheit Rollhandbrause 12.20 UL Con4	x	x					1			
G078	2062506	water piping condenser retractable handshower 20.10 UL Con4	Wasserverschlauchung Kondensationseinheit Rollhandbrause 20.10 UL Con4	x	x						1		
G078	2062507	water piping condenser retractable handshower 20.20 UL Con4	Wasserverschlauchung Kondensationseinheit Rollhandbrause 20.20 UL Con4	x	x							1	
G079	2664815	Hose PVC Ø 10x1,5 transparent Con4	Schlauch PVC Ø 10x1,5 klar Con4	x	x	1	1	1	1	1	1	1	
G080	5056979	RC-Filter 470nF 150 Ohm Solenoid Boiler+Injection Con4	RC-Filter 470nF 150 Ohm Magnetv. Boiler+Einspritzung Con4	x	x	1	1	1	1	1	1	1	
G081	5056980	RC-Filter 470nF 150 Ohm Solenoid Collector Con4	RC-Filter 470nF 150 Ohm Magnetventil Sammler Con4	x	x	1	1	1	1	1	1	1	
G082	5056981	RC-Filter 470nF 150 Ohm Solenoid Handshower Con4	RC-Filter 470nF 150 Ohm Magnetventil Rollhandbrause Con4	x	x	1	1	1	1	1	1	1	
G083	5052759	RC-Filter 470nF 150 Ohm Solenoid vapor removal Con4	RC-Filter 470nF 150 Ohm Magnetventil Kondensationseinheit Con4	x	x	1	1	1	1	1	1	1	
H004	7064045	Drip Tray Sewagehose 6.10/10.10(incl.7050585) Con4	Tropfrinnenschlauch 6.10/10.10(incl.7050585) Con4	x	x	1		1					
H004	7064046	Drip Tray Sewagehose 6.20/10.20(incl.7050599) Con4	Tropfrinnenschlauch 6.20/10.20(incl.7050599) Con4	x	x		1		1				
H020	8005041	Washer 6.4 A2 P2, P3, Con4	Scheibe 6,4 A2 P2, P3, Con4	x	x	1	1	1	1	1	1	1	
H022	4064133	Relais 230V/AC Grease Separator Con4	Relais 230V/AC Fettabscheider Con4	x	x	1	1	1	1				
H024	5064136	Float Fettabscheider Con4	Schwimmer Fettabscheider Con4	x	x	1	1	1	1				
H025	7064216	Grease separator hose elbow Ø13 12.20/20.10/20.20 Con4	Fettabscheider Schlauchwinkel Ø13 12.20/20.10/20.20 Con4	x	x	1			1	1	1		
H025	7064134	Grease separator hose elbow Ø13 6.10/6.20/10.10/10.20 Con4	Fettabscheider Schlauchwinkel Ø13 6.10/6.20/10.10/10.20 Con4	x	x	1	1	1	1				
H026	2164228	Fixing bracket Drainbox floor models Con4	Haltewinkel Drainbox Standgeräte Con4	x	x					1	1	1	
H026	2464293	Bracket Drainbox tabletop models Con4	Haltewinkel Drainbox Tischgeräte Con4	x	x	1	1	1	1				
H027	7064086	Waste water hose 6.10/10.10 El. Ø22 Boiler-Drainbox Con4	Abwasserschlauch 6.10/10.10 El. Ø22 Boiler-Drainbox Con4	x	x	1		1					
H027	7064087	Waste water hose 6.20/10.20 El. Ø22 Boiler-Drainbox Con4	Abwasserschlauch 6.20/10.20 El. Ø22 Boiler-Drainbox Con4	x	x		1		1				
H027	7064088	Waste water hose 20.10 GAS 20.10/20.20 Electric Ø22 Con4	Abwasserschlauch 20.10 GAS 20.10/20.20 Elektro Ø22 Con4	x	x						1	1	
H027	7064088	Waste water hose 20.10 GAS 20.10/20.20 Electric Ø22 Con4	Abwasserschlauch 20.10 GAS 20.10/20.20 Elektro Ø22 Con4	x	x							1	
H027	7064089	Waste water hose 20.20GAS 12.20Electric Ø22 Con4	Abwasserschlauch 20.20GAS 12.20Elektro Ø22 Con4	x	x				1				
H027	7064089	Waste water hose 20.20GAS 12.20Electric Ø22 Con4	Abwasserschlauch 20.20GAS 12.20Elektro Ø22 Con4	x	x					1			
H027	7064090	Waste water hose 6.10 GAS Ø22 Boiler-Drainbox Con4	Abwasserschlauch 6.10 GAS Ø22 Boiler-Drainbox Con4	x	x	1							
H027	7064091	Waste water hose 6.20/10.20 GAS Ø22 Boiler-Drainbox Con4	Abwasserschlauch 6.20/10.20 GAS Ø22 Boiler-Drainbox Con4	x	x		1		1				
H027	7064092	Waste water hose 10.10 GAS Ø22 Boiler-Drainbox Con4	Abwasserschlauch 10.10 GAS Ø22 Boiler-Drainbox Con4	x	x			1					
H028	7064084	Waste water hose 6.10to10.20 Ø22 Collector-Drainbox Con4	Abwasserschlauch 6.10 bis 10.20 Ø22 Sammler-Drainbox Con4	x	x	1	1	1	1				
H028	7064085	Waste water hose 12.20to20.20 Ø22 Collector-Drainbox Con4	Abwasserschlauch 12.20bis20.20 Ø22 Sammler-Drainbox Con4	x	x					1	1	1	
H029	5056380	Drainage pump collector Con4	Entleerungspumpe Sammler Con4	x	x	1	1	1	1	1	1	1	-5M0
H030	6064296	Cap Collector box pipe Ø 21	Kappe Sammlerbox Ø 21	x	x	1	1	1	1	1	1	1	
H031	6064297	Cap Collector box pipe Ø 18	Kappe Sammlerbox Ø 18	x	x	2	2	2	2	2	2	2	
H032	6064298	Cap Collector box pipe Ø 15	Kappe Sammlerbox Ø 15	x	x	2	2	2	2	2	2	2	
H033	6064299	Cap Collector box pipe Ø 6	Kappe Sammlerbox Ø 6	x	x	1	1	1	1	1	1	1	
H034	8050770	Hose clamp 25,2 Ø passiviert yellow Con4	Drahtschelle Ø25,2 gelb passiviert Con4	x	x	3	3	3	3	3	3	3	
H035	6056494	Sealing collar 60mm für Drainbox Con4	Dichtmanschette 60mm für Drainbox Con4	x	x	1	1	1	1	1	1	1	
H036	2664206	Grease separator unit 6.x, 10.x CE Con4	Fettabscheider Einheit 6.x, 10.x CE Con4	x	x	1	1	1	1				
H036	2664207	Grease separator unit 6.x, 10.x UL Con4	Fettabscheider Einheit 6.x, 10.x UL Con4	x	x	1	1	1	1				
H036	2664208	Grease separator unit 20.10 Con4	Fettabscheider Einheit 20.10 Con4	x	x						1		
H036	2664210	Grease separator unit 12.20, 20.20 Con4	Fettabscheider Einheit 12.20, 20.20 Con4	x	x					1		1	
H037	2456493	Drainbox Con4	Abwasserbox Con4	x	x	1	1	1	1	1	1	1	
H039	5064135	Pump 12V Grease Separator Con4	Pumpe 12V Fettabscheider Con4	x	x	1	1	1	1				
H040	5056978	RC-Filter 0.15µF 120 Ohm Pump Collector Con4	RC-Filter 0.15µF 120 Ohm Pumpe Sammler Con4	x	x	1	1	1	1	1	1	1	
H041	6063044	Exhaust pipe with cooling nozzle 6.10/6.20 Con4	Abluftrohr mit Ablöschdüse 6.10/6.20 Con4	x	x	1							
H041	6063045	Exhaust pipe with cooling nozzle 10.10/10.20 Con4	Abluftrohr mit Ablöschdüse 10.10/10.20 Con4	x	x			1	1				
H041	6063046	Exhaust pipe with cooling nozzle 12.20 Con4	Abluftrohr mit Ablöschdüse 12.20 Con4	x	x					1			
H041	6063047	Exhaust pipe with cooling nozzle 20.10/20.20 Con4	Abluftrohr mit Ablöschdüse 20.10/20.20 Con4	x	x						1	1	
H042	6056495	Grommet 50mm Collector electric Con4	Dichtmanschette Ø50 Sammler Elektro Con4	x	x	1	2	1	2				
H044	6064280	Exhaust pipe right 12.20 Con4	Abluftrohr rechts 12.20 Con4	x	x					1			
H044	6064281	Exhaust pipe right 20.10/20.20 Con4	Abluftrohr rechts 20.10/20.20 Con4	x	x						1	1	
H045	8055698	Hose clamp 23,5-27 screwable Con4	Drahtschelle 23,5-27 schraubbar Con4	x	x	1	1	1	1	1	1	1	
H046	8055699	Hose clamp 27-31 screwable Con4	Drahtschelle 27-31 schraubbar Con4	x	x	1	1	1	1	1	1	1	
I001	6055086	Mounting assembly dosage pump x.20 ConvoClean Con4	Montageeinheit Dosierpumpe x.20 ConvoClean Con4	x	x		1		1	1	1	1	
I001	6064205	Mounting assembly dosage pump x.10 ConvoClean Con4	Montageeinheit Dosierpumpe x.10 ConvoClean Con4	x	x	1		1					
I002	5056376	Dosage pump CONVOClean Con4	Dosierpumpe CONVOClean Con4	x	x	2	2	2	2	2	2	2	-7M0
I003	5056352	Pressure switch 13mbar Con4	Druckschalter 13mbar Con4	x	x	1	1	1	1	1	1	1	-7B0
I004	6064036	Preformed hose dosage pump CONVOClean Con4	Formschlauch Dosierpumpe CONVOClean Con4	x	x	1	1	1	1	1	1	1	

#	ET-Nr. Part No	Description	Beschreibung	Elektro	Gas	6.10	6.20	10.10	10.20	12.20	20.10	20.20	BMK / ID
I006	6005414	Hose coupling (elbow) 6mm P3 Con4	Winkel-Schlauchverbindungsstutzen 6mm P3 Con4	x	x	1	1	1	1	1	1	1	
I007	2619150	Bulkhead union M10 6 mm P3 Con4	Schottverschraubung M10 6mm P3 Con4	x	x	2	2	2	2	2	2	2	
I008	2617594	Suction pipe, ConvoClean with suction lance P3 Con4	Saugschlauch ConvoClean mit Ansauglanze P3 Con4	x	x	1	1	1	1	1	1	1	
I009	2617598	Suction pipe, ConvoCare with suction lance P3 Con4	Saugschlauch ConvoCare mit Ansauglanze P3 Con4	x	x	1	1	1	1	1	1	1	
I010	3007061	Dirty filter for CONVOCare P3 / OES mini Con4	Schmutzsieb für CONVOCare P3 / OES mini Con4	x	x	1	1	1	1	1	1	1	
I011	7012302	Cleaner Tube EPDM black DN 6x2mm Con4	Reiniger Schlauch EPDM schwarz DN 6x2mm Con4	x	x	1	1	1	1	1	1	1	
I016	2625117	Mounting accessories for sprayer Con4	Montagezubehör für Einspritzung Con4	x	x	1	1	1	1	1	1	1	
I016	8050864	Nut M22x1,5 A2 Con4	Sechskantmutter M22x1,5 A2 Con4	x	x	1	1	1	1	1	1	1	
I026	7012051	ConvoClean hose green for neutralizer line Con4	PVC Schlauch grün ConvoCare 6/2 Con4	x	x	1	1	1	1	1	1	1	
I027	7002002	ConvoClean hose red for detergent line Con4	PVC Schlauch rot ConvoClean 6/2 Con4	x	x	1	1	1	1	1	1	1	
I028	6006122	Hose Clamp TB11 10-12mm	Schlauchschele TB11 10-12mm	x	x	2	2	2	2	2	2	2	
I028	6063055	Hose clamp 10-12 W1 galvanized	Schlauchschele 10-12 W1 verzinkt	x	x	2	2	2	2	2	2	2	
I029	8009058	Wire clamp Ø10 CNS Con4	Drahtschele Ø10 CNS Con4	x	x	8	8	8	8	8	8	8	
I034	8019010	Wire clamp Ø16 CNS Con4	Drahtschele Ø16 CNS Con4	x	x	1	1	1	1	1	1	1	
I036	6019109	CONVOClean adhesive label Con4	Kenzeichnungsaufkleber CONVOClean Con4	x	x	1	1	1	1	1	1	1	
I037	6019128	CONVOCare adhesive label Con4	Kenzeichnungsaufkleber CONVOCare Con4	x	x	1	1	1	1	1	1	1	
I046	6064211	Elbow hose ConvoClean Con4	Schlauchwinkel ConvoClean Con4	x	x	1	1	1	1	1	1	1	
I049	8050885	Wire clamp Ø11,3 CNS Con4	Drahtschele Ø11,3 CNS Con4	x	x	3	3	3	3	3	3	3	
I050	6064213	Piping bottom x.20 ConvoClean Con4	Rohrleitung Boden x.20 ConvoClean Con4	x	x	1	1	1	1	1	1	1	
I050	6064212	Piping bottom x.10 ConvoClean Con4	Rohrleitung Boden x.10 ConvoClean Con4	x	x	1	1	1	1	1	1	1	
I051	6064215	Piping top x.20 ConvoClean Con4	Rohrleitung Decke x.20 ConvoClean Con4	x	x	1	1	1	1	1	1	1	
I051	6064214	Piping top x.10 ConvoClean Con4	Rohrleitung Decke x.10 ConvoClean Con4	x	x	1	1	1	1	1	1	1	
I052	8050868	Hose clamp 22,1 Ø passivated blue Con4	Drahtschele Ø22,1 blau passiviert Con4	x	x	3	3	3	3	3	3	3	
I053	8050771	Hose clamp Ø30,0 passivated blue Con4	Drahtschele Ø30,0 blau passiviert Con4	x	x	2	2	2	2	2	2	2	
I054	8050688	Hose clamp Ø27,5 passivated blue Con4	Drahtschele Ø27,5 blau passiviert Con4	x	x	1	1	1	1	1	1	1	
I055	5056337	Circulation pump CONVOClean System Con4	Zirkulationspumpe CONVOClean System Con4	x	x	1	1	1	1	1	1	1	-7M2
I056	7064209	Hose connecting pump Con4	Verbindungsstück Pumpe Con4	x	x	1	1	1	1	1	1	1	
I057	4050880	Capacitor 2,5µF 450V Con4	Kondensator 2,5µF 450V Con4	x	x	1	1	1	1	1	1	1	
I058	7050852	Hose Piping bottom to Piping top ConvoClean Con4	Schlauch von Rohrleitung Boden zu Rohrleitung Decke ConvoClean Con4	x	x	1	1	1	1	1	1	1	
K002	5018027K	Fan safety grill 120 mm, with fixing accessories	Lüfterschutzgitter 120 mm mit Montagematerial	x	x	1	1	1	1	1	1	1	
K012	6005021	Rubber bushing Ø 42mm P3 Con4	Membrantülle Ø42mm P3 Con4	x	x	1	1	1	1	1	1	1	
K018	2057100	Condensation unit 6.10 Con4	Kondensationseinheit 6.10 Con4	x	x	1							
K018	2057101	Condensation unit 6.20 Con4	Kondensationseinheit 6.20 Con4	x	x	1							
K018	2057102	Condensation unit 10.10 Con4	Kondensationseinheit 10.10 Con4	x	x		1						
K018	2057103	Condensation unit 10.20 Con4	Kondensationseinheit 10.20 Con4	x	x			1					
K018	2057104	Condensation unit 12.20 Con4	Kondensationseinheit 12.20 Con4	x	x				1				
K018	2057105	Condensation unit 20.10 20.20 Con4	Kondensationseinheit 20.10 20.20 Con4	x	x					1	1		
K019	2064294	Condensation unit Water Piping 12.20 20.10 20.20 Con4	Kondensationseinheit Wasserverteiler 12.20 20.10 20.20 Con4	x	x					1	1	1	
K019	6064295	Condensation unit Water Piping 6.10 6.20 10.10 10.20 Con4	Kondensationseinheit Wasserverteiler 6.10 6.20 10.10 10.20 Con4	x	x	1	1	1	1				
K020	6056198	Nozzle Condensation unit Con4	Düse Kondensationseinheit Con4	x	x	2	2	2	2	3	3	3	
K032	3429323	Smoker Box compl. Con4	Räucherbox kompl. Con4	x	x	1	1	1	1				
K033	2164331	Cover User Interface Prison Con4	Abdeckung User Interface Gefängnisversion Con4	x	x	1	1	1	1	1	1	1	
K033	2665171	Retrofit kit Prison Version tabletop models Con4	Nachrüstset Gefängnisversion Tischgeräte Con4	x	x	1	1	1	1				
K033	2665172	Retrofit kit Prison Version floor models Con4	Nachrüstset Gefängnisversion Standgeräte Con4	x	x					1	1	1	
K034	2164335	Cover Locking bracket User Interface Prison Con4	Verschlusswinkel Abdeckung User Interface Con4	x	x	1	1	1	1	1	1	1	
K035	2164337	Angle door block front Table Top Prison Con4	Winkel Türsperre Front Tischgeräte Gefängnisversion Con4	x	x	1	1	1	1				
K035	2164340	Angle door block front Floor Unit Prison Con4	Winkel Türsperre Front Standgeräte Gefängnisversion Con4	x	x					1	1	1	
K036	2164338	Angle door block Table Top Prison Con4	Winkel Türsperre Tür Tischgeräte Gefängnisversion Con4	x	x	1	1	1	1				
K036	2164341	Angle door block Floor Unit Prison Con4	Winkel Türsperre Tür Standgeräte Gefängnisversion Con4	x	x					1	1	1	
K037	8051724	Countersunk socket screw M5x12 A2 Con4	Senkschraube Innensechskant M5x12 A2 Con4	x	x	4	4	4	4	4	4	4	
K038	8017010	Click nut M5 A4 Con4	Sperrzahnmutter M5 A4 Con4	x	x	4	4	4	4	4	4	4	
M001	5153054	Electric box GS 20.10 11 16 Con4	Montageplatte GS 20.10 11 16 Con4	x	x							1	
M001	5153068	Electric box GS 20.10 60 Con4	Montageplatte GS 20.10 60 Con4	x	x							1	
M001	5153096	Electric box GS 20.10 14 15 Con4	Montageplatte GS 20.10 14 15 Con4	x	x							1	
M001	5153047	Electric box GB 20.10 11 16 Con4	Montageplatte GB 20.10 11 16 Con4	x	x							1	
M001	5153061	Electric box GB 20.10 60 Con4	Montageplatte GB 20.10 60 Con4	x	x							1	
M001	5153089	Electric box GB 20.10 14 15 Con4	Montageplatte GB 20.10 14 15 Con4	x	x							1	
M001	5153055	Electric box GS 20.20 11 16 Con4	Montageplatte GS 20.20 11 16 Con4	x	x							1	
M001	5153069	Electric box GS 20.20 60 Con4	Montageplatte GS 20.20 60 Con4	x	x							1	
M001	5153097	Electric box GS 20.20 14 15 Con4	Montageplatte GS 20.20 14 15 Con4	x	x							1	
M001	5153048	Electric box GB 20.20 11 16 Con4	Montageplatte GB 20.20 11 16 Con4	x	x							1	
M001	5153062	Electric box GB 20.20 60 Con4	Montageplatte GB 20.20 60 Con4	x	x							1	
M001	5153090	Electric box GB 20.20 14 15 Con4	Montageplatte GB 20.20 14 15 Con4	x	x							1	
M002	4014002	Plug-in bridge 2pol 2,5mm² red Con4	Steckbrücke 2Pol 2,5mm² rot Con4	x	x	2	2	2	2	2	2	2	-1X0 -2X0 -2F0 -2F1 -2F2 -3F5 -3F6
M003	5056374	Frequency converter M2 0.75kW (0.55kW) 1N~ 200-240V Con4	Frequenzumrichter M2 0.75kW (0.55kW) 1N~ 200-240V Con4	x	x	1	1	1	1	1	2	2	-3T5 -3T6
M003	5056386	Frequency converter F1 0.75kW 1N~ 100-120V Con4	Frequenzumrichter F1 0.75kW 1N~ 100-120V Con4	x	x	1	1	1	1	1	2	2	-3T5 -3T6
M003	5056387	Frequency converter N4 0.75kW 3~ 400-480V Con4	Frequenzumrichter N4 0.75kW 3~ 400-480V Con4	x	x	1	1	1	1	1	2	2	-3T5 -3T6
M004	5056975	Autotransformer 378VA 100/110/120V-230V Con4	Spartrafo 378VA 100/110/120V-230V Con4	x	x	1	1	1	1	1			-2T1
M004	5056976	Autotransformer 488VA 100/110/120V-230V Con4	Spartrafo 488VA 100/110/120V-230V Con4	x	x	1	1	1	1	1	1	1	-2T1
M004	5052727	Autotransformer 268VA 380/400/440/480V-230V Con4	Spartrafo 268VA 380/400/440/480V-230V Con4	x	x	1	1	1	1	1			-2T1
M004	5052728	Autotransformer 388VA 380/400/440/480V-230V Con4	Spartrafo 388VA 380/400/440/480V-230V Con4	x	x						1	1	-2T2
M004	5065465	Smoothing coil 2PH 2 x 10mH 2,7 A (Geräte ohne -2V0) Con4	Drossel 2PH 2 x 10mH 2,7 A (Geräte ohne -2V0) Con4	x	x	1	1	1	1	1			-3R5
M005	5056967	Line Filter 3Ph/N 32A FMAD Con4	Netzfilter 3Ph/N 32A FMAD Con4	x	x	1	1	1					-2V0
M005	5056968	Line Filter 3Ph/N 64A FMAD Con4	Netzfilter 3Ph/N 64A FMAD Con4	x	x				1	1	1		-2V0
M005	5056969	Line Filter 3Ph/N 120A FMAD Con4	Netzfilter 3Ph/N 120A FMAD Con4	x	x							1	-2V0
M005	5065089	Capacitor net filter 2x3,3µF/1x1,0µF LGF Con4	Kondensatornetzfilter 2x3,3µF/1x1,0µF LGF Con4	x	x	1	1	1					-2V0
M005	5065090	Capacitor net filter 3x3,3µF LGF Con4	Kondensatornetzfilter 3x3,3µF LGF Con4	x	x				1	1	1	2	-2V0 -2V1
M005	5056970	Line Filter 3Ph 32A FMAC Con4	Netzfilter 3Ph 32A FMAC Con4	x	x	1	1	1					-2V0
M005	5056971	Line Filter 3Ph 200-240V 64A FMAC Con4	Netzfilter 3Ph 200-240V 64A FMAC Con4	x	x		1	1					-2V0
M005	5056972	Line Filter 3Ph 125A FMAC Con4	Netzfilter 3Ph 125A FMAC Con4	x	x				1	1	1		-2V0
M005	5056973	Line Filter 3Ph 200A FMAC Con4	Netzfilter 3Ph 200A FMAC Con4	x	x							1	-2V0
M005	5056974	Line Filter 1Ph 16A FSW2 Con4	Netzfilter 1Ph 16A FSW2 Con4	x	x	1	1	1	1	1	1	1	-2V0
M006	5056372	Temperature switch 80° C Con4	Temperaturschalter 80° C Con4	x	x	1	1	1	1	1	1	1	-2B9
M007	5056961	Main-Contactor 10A Con4	Hauptschütz 10A Con4	x	x	1	1	1	1	1	1	1	-2Q1
M007	5056373	Main-Contactor 18A Con4	Hauptschütz 18A Con4	x	x	1	1	1					-2Q1
M007	5056962	Main-Contactor 32A 3N~ 400V Con4	Hauptschütz 32A 3N~ 400V Con4	x	x				1	1	1		-2Q1
M007	5056962	Main-Contactor 32A 3~ 200-240V / 3~ 440-480V Con4	Hauptschütz 32A 3~ 200-240V / 3~ 440-480V Con4	x	x		1	1	1				-2Q1
M007	5056963	Main-Contactor 74A 3~ 400-480V Con4	Hauptschütz 74A 3~ 400-480V Con4	x	x							1	-2Q1
M007	5056963	Main-Contactor 74A 3~ 200-240V / 3~ 400V Con4	Hauptschütz 74A 3~ 200-240V / 3~ 400V Con4	x	x				1	1	1		-2Q1
M007	5056964	Main-Contactor 176A Con4	Hauptschütz 176A Con4	x	x							1	-2Q1
M008	4056389	Fuse Terminal 6.3x32mm Con4	Sicherungsklemme 6.3x32mm Con4	x	x	3	3	3	3	3	4	4	-2F0 -2F1 -2F2 -3F5 -3F6
M009	4056489	Fuse terminal 10.3x38mm UL Con4	Sicherungsklemme 10.3x38mm UL Con4	x	x	2	2	2	2	2	4	4	-3F5 -3F6

#	ET-Nr. Part No	Description	Beschreibung	Elektro	Gas	6.10	6.20	10.10	10.20	12.20	20.10	20.20	BMK / ID
M010	4056986	End cover quad 2,5mm <sup>2</sup> Gy Con4	Deckel 4-fach 2,5mm <sup>2</sup> Gy Con4	x	x	2	2	2	2	2	1	1	-1X0 -1X1
M011	4056412	End cover 1 / 4 -times 10 / 2.5mm <sup>2</sup> Gy Con4	Deckel 1 / 4-fach 10 / 2.5mm <sup>2</sup> Gy Con4	x	x	1	1	1	1	1			-2X0
M012	4056987	Terminal quad 2,5mm <sup>2</sup> Bu Con4	Klemme 4-fach 2,5mm <sup>2</sup> Bu Con4	x	x	2	2	2	2	2	3	3	-1X1
M013	4052144	End clamp Gy Con4	Endhalter Tragschiene Gy Con4	x	x	x	x	x	x	x	x	x	
M014	4056988	Terminal quad 2,5mm <sup>2</sup> Gy Con4	Klemme 4-fach 2,5mm <sup>2</sup> Gy Con4	x	x	2	2	2	2	2	2	2	-1X1
M015	4056985	Terminal quad 2,5mm <sup>2</sup> GnYe Con4	Klemme 4-fach 2,5mm <sup>2</sup> GnYe Con4	x	x	5	5	5	5	5	7	7	-1X0 -1X7
M016	4056405	Terminal 4mm <sup>2</sup> Gy Con4	Klemme 4mm <sup>2</sup> Gy Con4	x	x	1	1	1	1	1	1	1	-1X0
M017	4056990	Terminal 4mm <sup>2</sup> Bu Con4	Klemme 4mm <sup>2</sup> Bu Con4	x	x	1	1	1	1	1	1	1	-1X0
M018	4056404	Terminal 4mm <sup>2</sup> GnYe Con4	Klemme 4mm <sup>2</sup> GnYe Con4	x	x	1	1	1	1	1	1	1	-2X0
M018	4056404	Terminal 4mm <sup>2</sup> GnYe Con4	Klemme 4mm <sup>2</sup> GnYe Con4	x	x	2	2	2	2	2	2	2	-1X0
M019	4056406	Terminal triple 4mm <sup>2</sup> Gy Con4	Klemme 3-fach 4mm <sup>2</sup> Gy Con4	x	x	6	6	5	5	5	7	7	-2X0
M020	4056407	End cover triple 4mm <sup>2</sup> Gy Con4	Deckel 3-fach 4mm <sup>2</sup> Gy Con4	x	x	2	2	2	2	2	2	2	-2X0
M021	4056354	Fuse T4A 10 pc. 6.3x32mm Con4	G-SICHERUNG T4A 10 Stück 6.3x32mm Con4	x	x	2	2	2	2	2	2	2	-2F0 -2F1 -2F2
M021	4056355	Fuse T10A 10 pc.6.3x32mm Con4	G-SICHERUNG T10A 10 Stück 6.3x32mm Con4	x	x	1	1	1	1	1	2	2	-3F5 -3F6
M021	4056944	Fuse T2A 10 pc. 5x20mm Con4	G-SICHERUNG T2A 10 Stück 5x20mm Con4	x	x	5	5	5	5	5	5	5	F1 F3 F5 F8 F10
M021	4056945	Fuse T3.15A 10 pc.5x20mm Con4	G-SICHERUNG T3.15A 10 Stück 5x20mm Con4	x	x	3	3	3	3	3	3	3	F2 F6 F7
M021	4056414	Fuse LP-CC 10A 1 pc. 10.3x38mm UL Con4	Sicherung LP-CC 10A 1 Stück 10.3x38mm UL Con4	x	x	2	2	2	2	2	4	4	-3F5 -3F6
M021	4056490	Fuse LP-CC 6A 1 pc.10.3x38mm UL Con4	Sicherung LP-CC 6A 1 Stück 10.3x38mm UL Con4	x	x	3	3	3	3	3	6	6	-3F5 -3F6
M021	4056982	Fuse LP-CC 15A 1 pc.10.3x38mm UL Con4	Sicherung LP-CC 15A 1 Stück 10.3x38mm UL Con4	x	x						2	2	-3F5 -3F6
M021	4052193	Fuse LP-CC 1,0A 10.3x38mm UL Con4	Sicherung LP-CC 1,0A 10.3x38mm UL Con4	x	x	2	2	2	2	2			-2F0 -2F1
M021	4052194	Fuse LP-CC 1,4A 10.3x38mm UL Con4	Sicherung LP-CC 1,4A 10.3x38mm UL Con4	x	x						2	2	-2F0 -2F1
M022	5056388	Heat sink Aluminum 112x100x67 Con4	Kühlkörper Alu 112x100x67 Con4	x	x	2	2	2	2	2	2	3	-3S0 -3S1 -3S2 -3S3 -4S0 -4S1 -4S2
M023	5056381	Solid state relay 90A Con4	Elektronisches Schaltrelais 90A Con4	x	x	4	4	4	4	4	4	6	-3K1 -3K2 -3K3 -3K4 -3K5 -3K6 -3K7 -3K8 -4K1 -4K2 -4K3 -4K4 -4K5 -4K6
M025	4052047	Terminal 1/4-times 10/2,5mm <sup>2</sup> BU Con4	Klemme 1/4-fach 10/2,5mm <sup>2</sup> BU Con4	x	x						1	1	-1X0
M026	4056390	Terminal quad 4mm <sup>2</sup> GnYe Con4	Klemme 4-fach 4mm <sup>2</sup> GnYe Con4	x	x	2	2	2	2	2	2	3	-1X0
M027	4056391	End cover quad 4mm <sup>2</sup> Gy Con4	Deckel 4-fach 4mm <sup>2</sup> Gy Con4	x	x	1	1	1	1	1	1	1	-1X0
M028	4056410	Terminal 1 / 4 -times 35 / 6mm <sup>2</sup> Gy Con4	Klemme 1 / 4-fach 35 / 6mm <sup>2</sup> Gy Con4	x	x				6	6	6	9	-2X0
M029	4056402	Terminal triple 16mm <sup>2</sup> Gy Con4	Klemme 3-fach 16mm <sup>2</sup> Gy Con4	x	x				6	6	6	6	-1X1
M030	4056399	Terminal 6mm <sup>2</sup> GnYe Con4	Klemme 6mm <sup>2</sup> GnYe Con4	x	x	1	1	1					-1X0
M031	4056398	Terminal 6mm <sup>2</sup> Gy Con4	Klemme 6mm <sup>2</sup> Gy Con4	x	x	3	3	3	3	3			-1X0 -2X0
M032	4056400	Terminal 6mm <sup>2</sup> Bu Con4	Klemme 6mm <sup>2</sup> Bu Con4	x	x	1	1	1					-1X0
M033	4056401	End cover 6mm <sup>2</sup> Gy Con4	Deckel 6mm <sup>2</sup> Gy Con4	x	x	1	1	1					-1X0
M034	4056403	End cover triple 16mm <sup>2</sup> Gy Con4	Deckel 3-fach 16mm <sup>2</sup> Gy Con4	x	x				1	1	1	1	-1X1
M035	4056413	End cover 4mm <sup>2</sup> Gy Con4	Deckel 4mm <sup>2</sup> Gy Con4	x	x	1	1	1	1	1	1	1	-1X0 -2X0
M036	5056965	Auxiliary Switch 1NO B&J Con4	Hilfskontakt 1S B&J Con4	x	x	1	1	1	1	1	1	1	-2Q1
M036	5056966	Auxiliary Switch 1NO1NC B&J. Main-Contactor 176A Con4	Hilfskontakt 1S10 B&J. Hauptschutz 176A Con4	x	x								-2Q1
M037	4056396	Terminal 50mm <sup>2</sup> GnYe Con4	Klemme 50mm <sup>2</sup> GnYe Con4	x	x				1	1	1	1	-1X0
M038	4056395	Terminal 50mm <sup>2</sup> Gy Con4	Klemme 50mm <sup>2</sup> Gy Con4	x	x				3	3	3	3	-1X0
M039	4056397	Terminal 50mm <sup>2</sup> Bu Con4	Klemme 50mm <sup>2</sup> Bu Con4	x	x								-1X0
M040	4056393	Terminal 35mm <sup>2</sup> GnYe Con4	Klemme 35mm <sup>2</sup> GnYe Con4	x	x	1	1	1	1	1	1	1	-1X0
M041	4056392	Terminal 35mm <sup>2</sup> Gy Con4	Klemme 35mm <sup>2</sup> Gy Con4	x	x	3	3	3	3	3	3	3	-1X0
M042	4056394	Terminal 35mm <sup>2</sup> Bu Con4	Klemme 35mm <sup>2</sup> Bu Con4	x	x				1	1	1	1	-1X0
M043	4056411	Terminal 1 / 4 -times 10 / 2.5mm <sup>2</sup> Gy Con4	Klemme 1 / 4-fach 10 / 2.5mm <sup>2</sup> Gy Con4	x	x				3	3	6	6	-2X0
M044	4056408	Terminal triple 10mm <sup>2</sup> Gy Con4	Klemme 3-fach 10mm <sup>2</sup> Gy Con4	x	x	3	3	6	6	6	12	12	-2X0
M045	4056409	End cover triple 10mm <sup>2</sup> Gy Con4	Deckel 3-fach 10mm <sup>2</sup> Gy Con4	x	x	1	1	1	1	1	1	1	-2X0
M046	4056834	Terminal triple 6mm <sup>2</sup> Gy Con4	Klemme 3-fach 6mm <sup>2</sup> Gy Con4	x	x								9 -2X0
M047	4056835	End cover triple 6mm <sup>2</sup> Gy Con4	Deckel 3-fach 6mm <sup>2</sup> Gy Con4	x	x								1 -2X0
M048	4052115	Terminal 35mm <sup>2</sup> Gy Con4	Klemme 35mm <sup>2</sup> Gy Con4	x	x	2	2	2	2	2	2	2	-1X0
M049	4056833	Terminal 95mm <sup>2</sup> GnYe Con4	Klemme 95mm <sup>2</sup> GnYe Con4	x	x								2 -1X0
M050	4056989	Terminal 95mm <sup>2</sup> Gy Con4	Klemme 95mm <sup>2</sup> Gy Con4	x	x								3 -1X0
M051	4056831	Terminal 95mm <sup>2</sup> Gy 200V incl. 2 Covers Con4	Klemme 95mm <sup>2</sup> Gy 200V inkl. 2 Abdeckhauben Con4	x	x								3 -1X0
M052	4056832	2 Covers 95mm <sup>2</sup> Gy 200V Con4	2 Abdeckhauben 95mm <sup>2</sup> Gy 200V Con4	x	x								3 -1X0
M053	5056830	Automatic circuit breaker C60N B 63A Con4	Sicherungsautomat C60N B 63A Convotherm 4	x	x							12	-3F1 -3F2 -3F3 -3F4
M054	5052618	Connection Terminal Con4	Anschlußklemme Con4	x	x							6	-2Q1
M055	2650890	Supply air box for heat sink 20.10 Electric 3~ 200V Con4	Zuluftkasten für Kühlkörper 20.10 Elektro 3~ 200V Con4	x	x						1		-2M1
M056	4052097	Terminal 10mm <sup>2</sup> GnYe Con4	Klemme 10mm <sup>2</sup> GnYe Con4	x	x	1	1	1					-1X0
M057	4052098	End cover 10mm <sup>2</sup> GnYe Con4	Deckel 10mm <sup>2</sup> GnYe Con4	x	x	1	1	1					-1X0
M058	4052122	Terminal 50mm <sup>2</sup> Gy Con4	Klemme 50mm <sup>2</sup> Gy Con4	x	x				2	2			-1X0
M059	4052137	Terminal 95mm <sup>2</sup> Gy Con4	Klemme 95mm <sup>2</sup> Gy Con4	x	x							2	-1X0
M060	4056984	Fusesocket CUBE 60A UL Buss Con4	Sicherungssockel CUBE 60A UL Con4	x	x							12	-3F1 -3F2 -3F3 -3F4
M061	4056983	Fuse CUBE 50A UL Buss Con4	Sicherung CUBE 50A UL Con4	x	x							12	-3F1 -3F2 -3F3 -3F4
M062	5253790	Wiring loom Gas valve CE Con4	Kabelbaum Gasventil CE Con4	x	x	1	1	1	1	1	1	1	-2M2X1 (-2M2X2)
Rep	5064131	USB-Stick with Softwareupdate Con4	USB-Stick mit Softwareupdate Con4	x	x	1	1	1	1	1	1	1	
Rep	2156998	Feed adjusting tool Con4	Hakenschlüssel Con4	x	x	1	1	1	1				
Rep	7014005	Graphite paste P3 Con4	Graphitpaste P3 Con4	x	x								
Rep	6065126	Repairset Bolt Rack front top Ø6x22 Con4	Reparaturset Bolzen Einhängestell vorn oben Ø6x22 Con4	x	x	1	1	1	1				
Rep	6065122	Repairset Bolt Suction Panel rear top Ø6x35 Con4	Reparaturset Bolzen Ansaugblech hinten oben Ø6x35 Con4	x	x	1	1	1	1	1	1	1	
Rep	6065123	Repairset Bolt Suction Panel front top Ø6x50 Con4	Reparaturset Bolzen Ansaugblech vorn oben Ø6x50 Con4	x	x	1	1	1	1	1	1	1	
Rep	6063042	Repairset Bolt Suction Panel rear bottom Ø16x38 P3 Con4	Reparaturset Bolzen Ansaugblech hinten unten Ø16x38 P3 Con4	x	x	1	1	1	1	1	1	1	
Rep	6063040	Repairset Bolt Cooking chamber Rack rear bottom Ø6x15 Con4	Reparaturset Bolzen Garraum Einhängestell hinten unten Ø6x15 Con4	x	x	1	1	1	1	1	1	1	
Rep	6065124	Repairset Bolt Mounting plate M5x55 Con4	Reparaturset Bolzen Montageplatte M5x55 Con4	x	x	1	1	1	1	1	1	1	
Rep	6050887	Repairset Bolt Cooking chamber Ø6x10 P3 Con4	Reparaturset Bolzen Garraum Ø6x10 P3 Con4	x	x	1	1	1	1	1	1	1	
Rep	8055195	Repairset Bolt Cooking chamber M4x6 P3 Con4	Reparaturset Bolzen Garraum M4x6 P3 Con4	x	x	1	1	1	1	1	1	1	
Rep	3465412	Retrofit kit Boiler Optimization Con4	Nachrüstset Boiler Optimierung Con4	x	x	1	1	1	1	1	1	1	
Rep	2631078	Cable anchor Core temperature probe Con4	Zugsicherung Kerntemperatur Fühler Kabel Con4	x	x	1	1	1	1	1	1	1	
Rep	6066004	Repair Set Door floor-standing units Con4	Reparaturset Türe Standgeräte Con4	x	x								1 1 1
Rep	2565051	Spacer plate for cross gasket door Convotherm 4	KD Unterlegbleche für Querdichtung Tür Convotherm 4	x	x								1 1 1
Rep	2666364	Repair set flange inner housing heat exchanger convection Con4	KD Reparaturflansch Garraum Wärmetauscher Heißluft Con4	x	x	1	1	1	1	1	1	1	
S001	3464231	Middle adapter Stacking kit 6.10/10.10 electric Con4	Mitteladapter Stapelkit 6.10/10.10 Elektro Con4	x	x	1	1						
S001	3464232	Middle adapter Stacking kit 6.20/10.20 electric Con4	Mitteladapter Stapelkit 6.20/10.20 Elektro Con4	x	x	1	1						
S001	3464233	Middle adapter Stacking kit 6.10/10.10 GAS Con4	Mitteladapter Stapelkit 6.10/10.10 GAS Con4	x	x	1	1						
S001	3464234	Middle adapter Stacking kit 6.20/10.20 GAS Con4	Mitteladapter Stapelkit 6.20/10.20 GAS Con4	x	x	1	1						
S001	3465636	Middle adapter Stacking kit 6.10/10.10 electric RH Marine Con4	Mitteladapter Stapelkit 6.10/10.10 Elektro RA Marine Con4	x	x	1	1						
S001	3465637	Middle adapter Stacking kit 6.20/10.20 electric RH Marine Con4	Mitteladapter Stapelkit 6.20/10.20 Elektro RA Marine Con4	x	x	1	1						
S002	3464236	mounting bracket for vent pipe Stacking kit 6.10/10.10 electric Con4	Ablufthalterung Stapelkit 6.10/10.10 Elektro Con4	x	x	1	1						
S002	3464237	mounting bracket for vent pipe Stacking kit 6.20/10.20 electric Con4	Ablufthalterung Stapelkit 6.20/10.20 Elektro Con4	x	x	1	1			</			



#	ET-Nr. Part No	Description	Beschreibung	Elektro	Gas	6.10	6.20	10.10	10.20	12.20	20.10	20.20	BMK / ID
S002	3464238	mounting bracket for vent pipe Stacking kit 6.10/10.10 Gas Con4	Ablufthalterung Stapelkit 6.10/10.10 Gas Con4	x	x	1		1					
S002	3464239	mounting bracket for vent pipe Stacking kit 6.20/10.20 Gas Con4	Ablufthalterung Stapelkit 6.20/10.20 Gas Con4	x	x		1		1				
S003	3462219	Ehumidification box Stacking kit Con4	Entfeuchtungskasten Stapelkit Con4	x	x	1	1	1	1				
S004	3462228	Sleeve Stacking Kit Con4	Manschette Stapelkit Con4	x	x	1	1	1	1				
S005	3462229	Inlet Pipe Stacking Kit Con4	Ansaugrohr Stapelkit Con4	x	x	1	1	1	1				
S006	3462995	Deflection Shield Stacking kit Con4	Abweisblech Stapelkit Con4	x	x	1	1	1	1				
S007	3455957	left cover Stacking kit 6.10/10.10 electric Con4	Seitliches Abdeckblech Links Stapelkit 6.10/10.10 Elektro Con4	x	x	1		1					
S007	3462145	left cover Stacking kit 6.20/10.20 electric Con4	Seitliches Abdeckblech Links Stapelkit 6.20/10.20 Elektro Con4	x	x		1		1				
S008	3462182	front cover Stacking kit 6.10/10.10 electric Con4	Vorderes Abdeckblech Stapelkit 6.10/10.10 Elektro Con4	x	x		1		1				
S008	3465623	front cover Stacking kit 6.10/10.10 Marine RH Con4	Vorderes Abdeckblech Stapelkit 6.10/10.10 Marine RA Con4	x	x	1		1					
S008	3462183	front cover Stacking kit 6.20/10.20 electric Con4	Vorderes Abdeckblech Stapelkit 6.20/10.20 Elektro Con4	x	x		1		1				
S008	3465628	front cover Stacking kit 6.20/10.20 Marine RH Con4	Vorderes Abdeckblech Stapelkit 6.20/10.20 Marine RA Con4	x	x		1		1				
S009	3455958	right cover Stacking kit 6.10/10.10 electric Con4	Seitliches Abdeckblech Rechts Stapelkit 6.10/10.10 Elektro Con4	x	x	1		1					
S009	3462147	right cover Stacking kit 6.20/10.20 electric Con4	Seitliches Abdeckblech Rechts Stapelkit 6.20/10.20 Elektro Con4	x	x		1		1				
S010	3462461	back cover Stacking kit 6.10/10.10 electric Con4	Hinteres Abdeckblech Stapelkit 6.10/10.10 Elektro Con4	x	x	1		1					
S010	3462186	back cover Stacking kit 6.10/10.10 Gas Con4	Hinteres Abdeckblech Stapelkit 6.10/10.10 Gas Con4	x	x	1		1					
S010	3462466	back cover Stacking kit 6.20/10.20 electric Con4	Hinteres Abdeckblech Stapelkit 6.20/10.20 Elektro Con4	x	x		1		1				
S010	3462187	back cover Stacking kit 6.20/10.20 Gas Con4	Hinteres Abdeckblech Stapelkit 6.20/10.20 Gas Con4	x	x		1		1				
S011	8064151	Screw Stet Stacking kit Con4	Schraubenset Stapelkit Con4	x	x	1	1	1	1				
S012	3464191	Support frame Stacking kit 6.10/10.10 300mm Con4	Unterbau Stapelkit 6.10/10.10 300mm Convotherm4	x	x	1		1					
S012	3464193	Support frame Stacking kit 6.10/10.10 150mm Con4	Unterbau Stapelkit 6.10/10.10 150mm Convotherm4	x	x	1		1					
S012	3464195	Support frame Stacking kit 6.10/10.10 150mm MarineCon4	Unterbau Stapelkit 6.10/10.10 150mm MarineConvotherm4	x	x	1		1					
S012	3464197	Support frame Stacking kit 6.10/10.10 100mm with roller Con4	Unterbau Stapelkit 6.10/10.10 100mm mit Walzen Con4	x	x	1		1					
S012	3463049	Support frame Stacking kit 6.10/10.10 150mm with roller Con4	Unterbau Stapelkit 6.10/10.10 150mm mit Walzen Con4	x	x	1		1					
S012	3465455	Support frame Stacking kit 6.10/10.10 210mm Marine Con4	Unterbau Stapelkit 6.10/10.10 210mm Marine Con4	x	x	1		1					
S012	3464192	Support frame Stacking kit 6.20/10.20 300mm Con4	Unterbau Stapelkit 6.20/10.20 300mm Convotherm4	x	x		1		1				
S012	3464194	Support frame Stacking kit 6.20/10.20 150mm Con4	Unterbau Stapelkit 6.20/10.20 150mm Convotherm4	x	x		1		1				
S012	3464196	Support frame Stacking kit 6.20/10.20 150mm Marine Con4	Unterbau Stapelkit 6.20/10.20 150mm Marine Convotherm4	x	x		1		1				
S012	3464198	Support frame Stacking kit 6.20/10.20 100mm with roller Con4	Unterbau Stapelkit 6.20/10.20 100mm mit Walzen Convotherm4	x	x		1		1				
S012	3465279	Support frame Stacking kit 6.20/10.20 150mm with roller Con4	Unterbau Stapelkit 6.20/10.20 150mm mit Walzen Convotherm4	x	x		1		1				
S012	3465456	Support frame Stacking kit 6.20/10.20 210mm with roller Con4	Unterbau Stapelkit 6.20/10.20 210mm mit Walzen Convotherm4	x	x		1		1				
S012	3465714	Support frame Stacking kit 6.10 350mm with roller Con4	Unterbau Stapelkit 6.10 350mm mit Walzen Convotherm4	x	x								
S013	3455953	Extension tube vent 6.10/10.10 electric Con4	Verlängerung Abluftkamin 6.10/10.10 Elektro Con4	x	x	1	2	1	2				
S014	3462238	Retrofit set Stacking kit 6.10 / 10.10 Con4	Nachrüstset Stapelkit 6.10 / 10.10 Con4	x	x	1		1					
S014	3462239	Retrofit set Stacking kit 6.20 / 10.20 Con4	Nachrüstset Stapelkit 6.20 / 10.20 Con4	x	x		1		1				
S015	3464158	Roller front Stacking kit cpl 100mm Con4	Walzen vorne Stapelkit Unterbau kpl 100mm Con4	x	x	2		2					
S015	3465702	Roller front Stacking kit cpl 150mm Con4	Walzen vorne Stapelkit Unterbau kpl 150mm Con4	x	x	1	1	1	1				
S015	3462452	Retrofitting Stacking kit 100 to 150mm Roller Con4	Umrüstset Stapelkit 100 auf 150mm Walzen kpl Con4	x	x	1	1	1	1				
S016	3464159	Roller back Stacking kit cpl 100mm Con4	Walzen hinten Stapelkit Unterbau kpl 100mm Con4	x	x	2		2					
S016	3465703	Roller back Stacking kit cpl 150mm Con4	Walzen hinten Stapelkit Unterbau kpl 150mm Con4	x	x	1	1	1	1				
S017	3455859	Wallmounting Stacking kit Con4	Wandbefestigung Stapelkit Con4	x	x	1	1	1	1				
S018	3464156	magnetic snap Stacking kit electric Con4	Magnetischen Snap Stapelkit Abdeckblecheckung vorne Elektro Con4	x	x	1	1	1	1				
S019	3462299	Accessory kit Stacking kit cleaning Con4	Beistellteile Stapelkit Reinigung Con4	x	x	1	1	1	1				
S020	3462177	Heat protection plate Stacking kit gas Con4	Wärmeschutzblech Stapelkit Gas Con4	x	x	1	1	1	1				
S021	3462191	Exhaust gas canal cover back Stacking kit Con4	Abgaskanal Abdeckung hinten Stapelkit Gas Con4	x	x	1	1	1	1				
S022	3462192	Exhaust gas canal cover front Stacking kit Con4	Abgaskanal Abdeckung vorn Stapelkit Gas Con4	x	x	1	1	1	1				
S023	3462162	Extension for chimney Stacking kit 6.10 / 10.10 Con4	Verlängerung Kamin Stapelkit 6.10 / 10.10 Con4	x	x	1		1					
S023	3462172	Extension for chimney Stacking kit 6.20 Con4	Verlängerung Kamin Stapelkit 6.20 Con4	x	x		1						
S023	3462165	Extension for chimney Stacking kit 10.20 Con4	Verlängerung Kamin Stapelkit 10.20 Con4	x	x			1					
S024	3462129	Exhaust air box below Stacking kit gas Con4	Abgaskaminkasten unten Stapelkit Gas Con4	x	x	1	1	1	1				
S025	3462175	Insulation Exhaust air box below Stacking kit gas Con4	Isolierung Abgaskaminkasten unten Stapelkit Gas Con4	x	x	1	1	1	1				
S026	3462176	Insulation Exhaust air box above Stacking kit gas Con4	Isolierung Abgaskaminkasten oben Stapelkit Gas Con4	x	x	1	1	1	1				
S027	3462130	Exhaust air box above Stacking kit gas Con4	Abgaskaminkasten oben Stapelkit Gas Con4	x	x	1	1	1	1				
S028	3455982	Installation kit for height compensation Stacking kit electric Con4	Montagekit zum Höhenausgleich Stapelkit Unterbau Elektro Con4	x	x	1		1					
S029	3464144	gasket exhaust air box Ø65-150x30 electric (blue) Con4	Dichtung Abluftkasten Ø65-150x30 Elektro (blau) Con4	x	x	1	2	1	2				
S030	5253608	Wiring Loom Stacking kit 6.10/10.10 electric electric Con4	Kabelbaum Stapelkit 6.10/10.10 Elektro Elektro Con4	x	x	1		1					
S030	5253609	Wiring Loom Stacking kit 6.20/10.20 electric electric Con4	Kabelbaum Stapelkit 6.20/10.20 Elektro Elektro Con4	x	x		1		1				
S030	5253558	Wiring Loom Stacking kit 6.10/10.10 GAS electric Con4	Kabelbaum Stapelkit 6.10/10.10 GAS Elektro Con4	x	x	1		1					
S030	5253559	Wiring Loom Stacking kit 6.20/10.20 GAS electric Con4	Kabelbaum Stapelkit 6.20/10.20 GAS Elektro Con4	x	x		1		1				
S031	3465715	Drawer for Support frame Stacking kit 6.10 350mm Con4	Schublade für Unterbau Stapelkit 6.10 350mm Con4	x	x	1							
S032	6065717	Roller for Support frame Stacking kit 6.10 350mm Con4	Bockrolle für Unterbau Stapelkit 6.10 350mm Con4	x	x	4							
S033	7031358	water connection hose 1300mm	Wasseranschlussschlauch 1300mm	x	x	2							
S033													
S034	3431365	Water Piping Set for Support frame Stacking kit 6.10 350mm Con4	Wasseranschlusset für Unterbau Stapelkit 6.10 350mm Con4	x	x	1							
S035													
S034	7031359	water connection hose 1450mm	Wasseranschlussschlauch 1450mm	x	x	2							
S035	7031360	water connection hose 500mm	Wasseranschlussschlauch 500mm	x	x	3							
S036	3431357	Stop Bolt Drawer Support frame Stacking kit 6.10 350mm Con4	Stoppbolzen für Schublade Unterbau Stapelkit 6.10 350mm Con4	x	x	2							
S037	3431361	Splash guard disk for cleaning canister	Spritzschutz Scheibe für Reingegerkanister	x	x	2							
Vent	3464120	Top Filter ConvoVent 4 6.10/10.10	Dampfabscheider ConvoVent 4 6.10/10.10	x	x	1		1					
Vent	3464121	Top Filter ConvoVent 4 6.20/10.20	Dampfabscheider ConvoVent 4 6.20/10.20	x	x		1		1				
Vent	3464122	Top Filter ConvoVent 4 20.10	Dampfabscheider ConvoVent 4 20.10	x	x					1			
Vent	3464123	Top Filter ConvoVent 4 12.20/20.20	Dampfabscheider ConvoVent 4 12.20/20.20	x	x					1	1		
Vent	3464110	ConvoVent 4+ Fine particle filter x.10	ConvoVent 4+ Feinpartikelfilter x.10	x	x	1		1			1		
Vent	3464111	ConvoVent 4+ Fine particle filter x.20	ConvoVent 4+ Feinpartikelfilter x.20	x	x	1		1	1		1		
Vent	3464116	ConvoVent 4/4+ Front Filter for 6.10/10.10	ConvoVent 4/4+ Tropfenabscheider für 6.10/10.10	x	x	2		2					
Vent	3464117	ConvoVent 4/4+ Front Filter for 6.20/10.20	ConvoVent 4/4+ Tropfenabscheider für 6.20/10.20	x	x		2		2				
Vent	3464118	ConvoVent 4/4+ Front Filter for x20.10	ConvoVent 4/4+ Tropfenabscheider für 20.10	x	x								
Vent	3464119	ConvoVent 4/4+ Front Filter for 12.20/20.20	ConvoVent 4/4+ Tropfenabscheider für 12.20/20.20	x	x					2		2	
Vent	3464112	ConvoVent 4/4+ Baffle filter for 6.10/10.10	ConvoVent 4/4+ Flammenschutzfilter für 6.10/10.10	x	x	3		3					
Vent	3464113	ConvoVent 4/4+ Baffle Filter for 6.20/10.20	ConvoVent 4/4+ Flammenschutzfilter für 6.20/10.20	x	x		3		3				
Vent	3464114	ConvoVent 4/4+ Baffle filter for 20.10	ConvoVent 4/4+ Flammenschutzfilter für 20.10	x	x						3		
Vent	3464115	ConvoVent 4/4+ Baffle Filter for 12.20/20.20	ConvoVent 4/4+ Flammenschutzfilter für 12.20/20.20	x	x						3		3
Vent	3464140	Inlet Pipe Stacking kit/CV 12.20 Con4	Ansaugrohr Stapelkit/CV 12.20 Con4	x	x					1			
Vent	3464037	ConvoVent 4/4+ Mounting bracket 6.10/10.10	ConvoVent 4/4+ Befestigungswinkel 6.10/10.10	x	x	1		1					
Vent	3464125	ConvoVent 4/4+ Mounting bracket 6.20/10.20	ConvoVent 4/4+ Befestigungswinkel 6.20/10.20	x	x		1		1				
Vent	3464126	ConvoVent 4/4+ Mounting bracket 20.10	ConvoVent 4/4+ Befestigungswinkel 20.10	x	x						1		
Vent	3464127	ConvoVent 4/4+ Mounting bracket 12.20/20.20	ConvoVent 4/4+ Befestigungswinkel 12.20/20.20	x	x					1		1	
Vent	3464145	ConvoVent 4/4+ Tube Angle Stackingkitt	ConvoVent 4/4+ Rohrwinkel Stapelkitt	x	x	1	2	1	2				
Vent	3457239	ConvoVent 4/4+ Power cord 3,6m with cable gland	ConvoVent 4/4+ Netzanschlusskabel 3,6m mit Kabeldurchf.	x	x	1	1	1	1	1	1	1	
Vent	5257238	ConvoVent 4/4+ Control cable 4,0m with connector X38	ConvoVent 4/4+ Steuerkabel 4,0m mit Stecker X38	x	x	1	1	1	1	1	1	1	
Vent	2657240	ConvoVent 4/4+ Adhesive base with cable ties	ConvoVent 4/4+ Klebesockel mit Kabelbinder	x	x	1	1	1	1	1	1	1	
Vent	5064147	Radialventilator D3G146-HQ13-62 ConvoVent 4/4+	Radialventilator D3G146-HQ13-62 ConvoVent 4/4+	x	x	1	1	1	1	1	1	1	-IM1
Vent	5064148	Halogentransformer 12V ConvoVent 4/4+	Halogentransformator 12V ConvoVent 4/4+	x	x	1	1	1	1	1	1	1	-IT1
Vent	5064146	Control Board ConvoVent 4/4+	Steuerplatine ConvoVent 4/4+	x	x	1	1	1	1	1	1	1	-SH1

#	ET-Nr. Part No	Description	Beschreibung	Elektro	Gas	6.10	6.20	10.10	10.20	12.20	20.10	20.20	BMK / ID
Vent	3464144	gasket exhaust air box Ø65-i50x30 electric (blue) Con4	Dichtung Abluftkasten Ø65-i50x30 Elektro (blau) Con4	x		1	1	1	1	1	1	1	
Vent	3464138	Inlet Pipe Stacking kit/CV 10.10/10.20/10.20/20.20 electric Con4	Ansaugrohr Stapelkit/CV 10.10/10.20/10.20/20.20 Elektro Con4	x	x			1	1		1	1	
Vent	3464139	Inlet Pipe Stacking kit/CV 6.10/6.20 electric Con4	Ansaugrohr Stapelkit/CV 6.10/6.20 Elektro Con4	x	x	1	1						
Vent	5064709	Smoothing coil 1AC 2.5A 7.5mH Convovent Con4	Netzdrössel 1AC 2.5A 7.5mH Convovent Con4	x									
X000	5265329	Wiring Loom X22 X23 X26 X40 Electro Boiler 6.10 Con4	Kabelbaum X22 X23 X26 X40 Elektro Boiler 6.10 Con4	x		1							X22 X23 X26 X40
X000	5265330	Wiring Loom X22 X23 X26 X40 Electro Boiler 6.20 Con4	Kabelbaum X22 X23 X26 X40 Elektro Boiler 6.20 Con4	x			1						X22 X23 X26 X40
X000	5265331	Wiring Loom X22 X23 X26 X40 Electro Boiler 10.10 Con4	Kabelbaum X22 X23 X26 X40 Elektro Boiler 10.10 Con4	x				1					X22 X23 X26 X40
X000	5265332	Wiring Loom X22 X23 X26 X40 Electro Boiler 10.20 Con4	Kabelbaum X22 X23 X26 X40 Elektro Boiler 10.20 Con4	x					1				X22 X23 X26 X40
X000	5265333	Wiring Loom X22 X23 X26 X40 Electro Boiler 12.20 Con4	Kabelbaum X22 X23 X26 X40 Elektro Boiler 12.20 Con4	x						1			X22 X23 X26 X40
X000	5265334	Wiring Loom X22 X23 X26 X40 Electro Boiler 20.10 Con4	Kabelbaum X22 X23 X26 X40 Elektro Boiler 20.10 Con4	x							1		X22 X23 X26 X40
X000	5265335	Wiring Loom X22 X23 X26 X40 Electro Boiler 20.20 Con4	Kabelbaum X22 X23 X26 X40 Elektro Boiler 20.20 Con4	x								1	X22 X23 X26 X40
X000	5265336	Wiring Loom X22 X23 X26 X40 Electro Sprayer 6.10 Con4	Kabelbaum X22 X23 X26 X40 Elektro Spritzer 6.10 Con4	x		1							X22 X23 X26 X40
X000	5265337	Wiring Loom X22 X23 X26 X40 Electro Sprayer 6.20 Con4	Kabelbaum X22 X23 X26 X40 Elektro Spritzer 6.20 Con4	x			1						X22 X23 X26 X40
X000	5265338	Wiring Loom X22 X23 X26 X40 Electro Sprayer 10.10 Con4	Kabelbaum X22 X23 X26 X40 Elektro Spritzer 10.10 Con4	x				1					X22 X23 X26 X40
X000	5265339	Wiring Loom X22 X23 X26 X40 Electro Sprayer 10.20 Con4	Kabelbaum X22 X23 X26 X40 Elektro Spritzer 10.20 Con4	x					1				X22 X23 X26 X40
X000	5265340	Wiring Loom X22 X23 X26 X40 Electro Sprayer 12.20 Con4	Kabelbaum X22 X23 X26 X40 Elektro Spritzer 12.20 Con4	x						1			X22 X23 X26 X40
X000	5265341	Wiring Loom X22 X23 X26 X40 Electro Sprayer 20.10 Con4	Kabelbaum X22 X23 X26 X40 Elektro Spritzer 20.10 Con4	x							1		X22 X23 X26 X40
X000	5265342	Wiring Loom X22 X23 X26 X40 Electro Sprayer 20.20 Con4	Kabelbaum X22 X23 X26 X40 Elektro Spritzer 20.20 Con4	x								1	X22 X23 X26 X40
X000	5265358	Wiring Loom X22 X23 X26 X40 Gas Boiler 6.10 CE Con4	Kabelbaum X22 X23 X26 X40 Gas Boiler 6.10 CE Con4	x	1								X22 X23 X26 X40
X000	5265359	Wiring Loom X22 X23 X26 X40 Gas Boiler 6.20 CE Con4	Kabelbaum X22 X23 X26 X40 Gas Boiler 6.20 CE Con4	x		1							X22 X23 X26 X40
X000	5265360	Wiring Loom X22 X23 X26 X40 Gas Boiler 10.10 CE Con4	Kabelbaum X22 X23 X26 X40 Gas Boiler 10.10 CE Con4	x			1						X22 X23 X26 X40
X000	5265361	Wiring Loom X22 X23 X26 X40 Gas Boiler 10.20 CE Con4	Kabelbaum X22 X23 X26 X40 Gas Boiler 10.20 CE Con4	x				1					X22 X23 X26 X40
X000	5265362	Wiring Loom X22 X23 X26 X40 Gas Boiler 12.20 CE Con4	Kabelbaum X22 X23 X26 X40 Gas Boiler 12.20 CE Con4	x					1				X22 X23 X26 X40
X000	5265363	Wiring Loom X22 X23 X26 X40 Gas Boiler 20.10 CE Con4	Kabelbaum X22 X23 X26 X40 Gas Boiler 20.10 CE Con4	x							1		X22 X23 X26 X40
X000	5265364	Wiring Loom X22 X23 X26 X40 Gas Boiler 20.20 CE Con4	Kabelbaum X22 X23 X26 X40 Gas Boiler 20.20 CE Con4	x								1	X22 X23 X26 X40
X000	5265365	Wiring Loom X22 X23 X26 X40 Gas Sprayer 6.10 CE Con4	Kabelbaum X22 X23 X26 X40 Gas Spritzer 6.10 CE Con4	x	1								X22 X23 X26 X40
X000	5265366	Wiring Loom X22 X23 X26 X40 Gas Sprayer 6.20 CE Con4	Kabelbaum X22 X23 X26 X40 Gas Spritzer 6.20 CE Con4	x		1							X22 X23 X26 X40
X000	5265367	Wiring Loom X22 X23 X26 X40 Gas Sprayer 10.10 CE Con4	Kabelbaum X22 X23 X26 X40 Gas Spritzer 10.10 CE Con4	x			1						X22 X23 X26 X40
X000	5265368	Wiring Loom X22 X23 X26 X40 Gas Sprayer 10.20 CE Con4	Kabelbaum X22 X23 X26 X40 Gas Spritzer 10.20 CE Con4	x				1					X22 X23 X26 X40
X000	5265369	Wiring Loom X22 X23 X26 X40 Gas Sprayer 12.20 CE Con4	Kabelbaum X22 X23 X26 X40 Gas Spritzer 12.20 CE Con4	x					1				X22 X23 X26 X40
X000	5265370	Wiring Loom X22 X23 X26 X40 Gas Sprayer 20.10 CE Con4	Kabelbaum X22 X23 X26 X40 Gas Spritzer 20.10 CE Con4	x							1		X22 X23 X26 X40
X000	5265371	Wiring Loom X22 X23 X26 X40 Gas Sprayer 20.20 CE Con4	Kabelbaum X22 X23 X26 X40 Gas Spritzer 20.20 CE Con4	x								1	X22 X23 X26 X40
X000	5265386	Wiring Loom X22 X23 X26 X40 Gas Boiler 6.10 UL Con4	Kabelbaum X22 X23 X26 X40 Gas Boiler 6.10 UL Con4	x	1								X22 X23 X26 X40
X000	5265387	Wiring Loom X22 X23 X26 X40 Gas Boiler 6.20 UL Con4	Kabelbaum X22 X23 X26 X40 Gas Boiler 6.20 UL Con4	x		1							X22 X23 X26 X40
X000	5265388	Wiring Loom X22 X23 X26 X40 Gas Boiler 10.10 UL Con4	Kabelbaum X22 X23 X26 X40 Gas Boiler 10.10 UL Con4	x			1						X22 X23 X26 X40
X000	5265389	Wiring Loom X22 X23 X26 X40 Gas Boiler 10.20 UL Con4	Kabelbaum X22 X23 X26 X40 Gas Boiler 10.20 UL Con4	x				1					X22 X23 X26 X40
X000	5265390	Wiring Loom X22 X23 X26 X40 Gas Boiler 12.20 UL Con4	Kabelbaum X22 X23 X26 X40 Gas Boiler 12.20 UL Con4	x					1				X22 X23 X26 X40
X000	5265391	Wiring Loom X22 X23 X26 X40 Gas Boiler 20.10 UL Con4	Kabelbaum X22 X23 X26 X40 Gas Boiler 20.10 UL Con4	x							1		X22 X23 X26 X40
X000	5265392	Wiring Loom X22 X23 X26 X40 Gas Boiler 20.20 UL Con4	Kabelbaum X22 X23 X26 X40 Gas Boiler 20.20 UL Con4	x								1	X22 X23 X26 X40
X000	5265393	Wiring Loom X22 X23 X26 X40 Gas Sprayer 6.10 UL Con4	Kabelbaum X22 X23 X26 X40 Gas Spritzer 6.10 UL Con4	x	1								X22 X23 X26 X40
X000	5265394	Wiring Loom X22 X23 X26 X40 Gas Sprayer 6.20 UL Con4	Kabelbaum X22 X23 X26 X40 Gas Spritzer 6.20 UL Con4	x		1							X22 X23 X26 X40
X000	5265395	Wiring Loom X22 X23 X26 X40 Gas Sprayer 10.10 UL Con4	Kabelbaum X22 X23 X26 X40 Gas Spritzer 10.10 UL Con4	x			1						X22 X23 X26 X40
X000	5265396	Wiring Loom X22 X23 X26 X40 Gas Sprayer 10.20 UL Con4	Kabelbaum X22 X23 X26 X40 Gas Spritzer 10.20 UL Con4	x				1					X22 X23 X26 X40
X000	5265397	Wiring Loom X22 X23 X26 X40 Gas Sprayer 12.20 UL Con4	Kabelbaum X22 X23 X26 X40 Gas Spritzer 12.20 UL Con4	x					1				X22 X23 X26 X40
X000	5265398	Wiring Loom X22 X23 X26 X40 Gas Sprayer 20.10 UL Con4	Kabelbaum X22 X23 X26 X40 Gas Spritzer 20.10 UL Con4	x							1		X22 X23 X26 X40
X000	5265399	Wiring Loom X22 X23 X26 X40 Gas Sprayer 20.20 UL Con4	Kabelbaum X22 X23 X26 X40 Gas Spritzer 20.20 UL Con4	x								1	X22 X23 X26 X40
X001	5265707	Wiring Loom X1 Gas Firing device repara set Con4	Kabelbaum X1 Gas Feuerungsautomat Reparaturset Con4	x	1	1	1	1	2	2	2	2	X1
X001	4064013	Fuseholder fuse T1A burner fan UL Con4	Sicherungshalter Sicherung T1A Brennergebläse UL Con4	x	2	2	2	2	2	3	3	3	-3F1 -3F2 -4F1
X002	4064014	Fuse T1A 10 pc. burner fan UL Con4	G-Sicherung T1A 10 Stück Brennergebläse UL Con4	x	1	1	1	1	1	1	1	1	-3F1 -3F2 -4F1
X003	5256415	Wiring Loom X3 Gas (includes 5253704) Con4	Kabelbaum X3 Gas (beinhaltet 5253704) Con4	x	2	2	2	2	2	3	3	3	X3
X015	5256467	Wiring Loom X15 (includes 5253500) Con4	Kabelbaum X15 (beinhaltet 5253500) Con4	x	x	1	1	1	1	1	1	1	X15
X018	5256846	Wiring Loom X18 Gas Boiler 6.10 (incl. 5253580) Con4	Kabelbaum X18 Gas Boiler 6.10 (beinh. 5253580) Con4	x	1								X18
X018	5256847	Wiring Loom X18 Gas Boiler 6.20 (incl. 5253581) Con4	Kabelbaum X18 Gas Boiler 6.20 (beinh. 5253581) Con4	x		1							X18
X018	5256848	Wiring Loom X18 Gas Boiler 10.10 (incl. 5253582) Con4	Kabelbaum X18 Gas Boiler 10.10 (beinh. 5253582) Con4	x			1						X18

#	ET-Nr. Part No	Description	Beschreibung	Elektro	Gas	6.10	6.20	10.10	10.20	12.20	20.10	20.20	BMK / ID
X018	5256849	Wiring Loom X18 Gas Boiler 10.20 (incl. 5253583) Con4	Kabelbaum X18 Gas Boiler 10.20 (beinh. 5253583) Con4		x				1				X18
X018	5256850	Wiring Loom X18 Gas Boiler 12.20 (incl. 5253584) Con4	Kabelbaum X18 Gas Boiler 12.20 (beinh. 5253584) Con4		x					1			X18
X018	5256851	Wiring Loom X18 Gas Boiler 20.10 (incl. 5253585) Con4	Kabelbaum X18 Gas Boiler 20.10 (beinh. 5253585) Con4		x						1		X18
X018	5256852	Wiring Loom X18 Gas Boiler 20.20 (incl. 5253586) Con4	Kabelbaum X18 Gas Boiler 20.20 (beinh. 5253586) Con4		x							1	X18
X018	5256853	Wiring Loom X18 Gas Sprayer 6.10 (incl. 5253587) Con4	Kabelbaum X18 Gas Spritzer 6.10 (beinh. 5253587) Con4		x	1							X18
X018	5256854	Wiring Loom X18 Gas Sprayer 6.20 (incl. 5253588) Con4	Kabelbaum X18 Gas Spritzer 6.20 (beinh. 5253588) Con4		x		1						X18
X018	5256855	Wiring Loom X18 Gas Sprayer 10.10 (incl. 5253589) Con4	Kabelbaum X18 Gas Spritzer 10.10 (beinh. 5253589) Con4		x			1					X18
X018	5256856	Wiring Loom X18 Gas Sprayer 10.20 (incl. 5253590) Con4	Kabelbaum X18 Gas Spritzer 10.20 (beinh. 5253590) Con4		x				1				X18
X018	5256857	Wiring Loom X18 Gas Sprayer 12.20 (incl. 5253591) Con4	Kabelbaum X18 Gas Spritzer 12.20 (beinh. 5253591) Con4		x					1			X18
X018	5256858	Wiring Loom X18 Gas Sprayer 20.10 (incl. 5253592) Con4	Kabelbaum X18 Gas Spritzer 20.10 (beinh. 5253592) Con4		x						1		X18
X018	5256859	Wiring Loom X18 Gas Sprayer 20.20 (incl. 5253593) Con4	Kabelbaum X18 Gas Spritzer 20.20 (beinh. 5253593) Con4		x							1	X18
X021	5253501	Wiring Loom X21 Boiler 6.10, 10.10 Electric Con4	Kabelbaum X21 Boiler 6.10, 10.10 Elektro Con4		x	x	1	1E					X21
X021	5253526	Wiring Loom X21 Boiler 6.20 Con4	Kabelbaum X21 Boiler 6.20 Con4		x	x		1					X21
X021	5253534	Wiring Loom X21 Boiler 10.10 Gas Con4	Kabelbaum X21 Boiler 10.10 Gas Con4		x				1				X21
X021	5253509	Wiring Loom X21 Boiler 10.20 Con4	Kabelbaum X21 Boiler 10.20 Con4		x	x				1			X21
X021	5253542	Wiring Loom X21 Boiler 12.20 Con4	Kabelbaum X21 Boiler 12.20 Con4		x	x					1		X21
X021	5253550	Wiring Loom X21 Boiler 20.10 Con4	Kabelbaum X21 Boiler 20.10 Con4		x	x						1	X21
X021	5253517	Wiring Loom X21 Boiler 20.20 Con4	Kabelbaum X21 Boiler 20.20 Con4		x	x						1	X21
X022	5253502	Wiring Loom X22 Electric Boiler 6.10 Con4	Kabelbaum X22 Elektro Boiler 6.10 Con4		x		1						X22
X022	5253527	Wiring Loom X22 Electric Boiler 6.20 Con4	Kabelbaum X22 Elektro Boiler 6.20 Con4		x			1					X22
X022	5253535	Wiring Loom X22 Electric Boiler 10.10 Con4	Kabelbaum X22 Elektro Boiler 10.10 Con4		x				1				X22
X022	5253510	Wiring Loom X22 Electric Boiler 10.20 Con4	Kabelbaum X22 Elektro Boiler 10.20 Con4		x					1			X22
X022	5253543	Wiring Loom X22 Electric Boiler 12.20 Con4	Kabelbaum X22 Elektro Boiler 12.20 Con4		x						1		X22
X022	5253551	Wiring Loom X22 Electric Boiler 20.10 Con4	Kabelbaum X22 Elektro Boiler 20.10 Con4		x							1	X22
X022	5253518	Wiring Loom X22 Electric Boiler 20.20 Con4	Kabelbaum X22 Elektro Boiler 20.20 Con4		x							1	X22
X022	5253620	Wiring Loom X22 Electric Sprayer 6.10 Con4	Kabelbaum X22 Elektro Spritzer 6.10 Con4		x	x	1						X22
X022	5253632	Wiring Loom X22 Electric Sprayer 6.20 Con4	Kabelbaum X22 Elektro Spritzer 6.20 Con4		x			1					X22
X022	5253636	Wiring Loom X22 Electric Sprayer 10.10 Con4	Kabelbaum X22 Elektro Spritzer 10.10 Con4		x				1				X22
X022	5253624	Wiring Loom X22 Electric Sprayer 10.20 Con4	Kabelbaum X22 Elektro Spritzer 10.20 Con4		x					1			X22
X022	5253640	Wiring Loom X22 Electric Sprayer 12.20 Con4	Kabelbaum X22 Elektro Spritzer 12.20 Con4		x						1		X22
X022	5253644	Wiring Loom X22 Electric Sprayer 20.10 Con4	Kabelbaum X22 Elektro Spritzer 20.10 Con4		x							1	X22
X022	5253628	Wiring Loom X22 Electric Sprayer 20.20 Con4	Kabelbaum X22 Elektro Spritzer 20.20 Con4		x							1	X22
X022	5253594	Wiring Loom X22 Gas 6.10 Con4	Kabelbaum X22 Gas 6.10 Con4		x	1							X22
X022	5253595	Wiring Loom X22 Gas 6.20 Con4	Kabelbaum X22 Gas 6.20 Con4		x		1						X22
X022	5253596	Wiring Loom X22 Gas 10.10 Con4	Kabelbaum X22 Gas 10.10 Con4		x			1					X22
X022	5253597	Wiring Loom X22 Gas 10.20 Con4	Kabelbaum X22 Gas 10.20 Con4		x				1				X22
X022	5253598	Wiring Loom X22 Gas 12.20 Con4	Kabelbaum X22 Gas 12.20 Con4		x					1			X22
X022	5253599	Wiring Loom X22 Gas 20.10 Con4	Kabelbaum X22 Gas 20.10 Con4		x						1		X22
X022	5253600	Wiring Loom X22 Gas 20.20 Con4	Kabelbaum X22 Gas 20.20 Con4		x							1	X22
X023	5253503	Wiring Loom X23 Boiler incl. Clean 6.10 Con4	Kabelbaum X23 Boiler inkl. Reinigung 6.10 Con4		x	x	1						X23
X023	5253528	Wiring Loom X23 Boiler incl. Cleaning 6.20 Con4	Kabelbaum X23 Boiler inkl. Reinigung 6.20 Con4		x	x		1					X23
X023	5253536	Wiring Loom X23 Boiler incl. Clean 10.10 Con4	Kabelbaum X23 Boiler inkl. Reinigung 10.10 Con4		x	x			1				X23
X023	5253511	Wiring Loom X23 Boiler incl. Clean 10.20 Con4	Kabelbaum X23 Boiler inkl. Reinigung 10.20 Con4		x	x				1			X23
X023	5253544	Wiring Loom X23 Boiler incl. Clean 12.20 Con4	Kabelbaum X23 Boiler inkl. Reinigung 12.20 Con4		x	x					1		X23
X023	5253552	Wiring Loom X23 Boiler incl. Clean 20.10 Con4	Kabelbaum X23 Boiler inkl. Reinigung 20.10 Con4		x	x						1	X23
X023	5253519	Wiring Loom X23 Boiler incl. Clean 20.20 Con4	Kabelbaum X23 Boiler inkl. Reinigung 20.20 Con4		x	x						1	X23
X023	5253650	Wiring Loom X23 Boiler without Clean 6.10 Con4	Kabelbaum X23 Boiler ohne Reinigung 6.10 Con4		x	x	1						X23
X023	5253656	Wiring Loom X23 Boiler without Clean 6.20 Con4	Kabelbaum X23 Boiler ohne Reinigung 6.20 Con4		x	x		1					X23
X023	5253658	Wiring Loom X23 Boiler without Clean 10.10 Con4	Kabelbaum X23 Boiler ohne Reinigung 10.10 Con4		x	x			1				X23
X023	5253652	Wiring Loom X23 Boiler without Clean 10.20 Con4	Kabelbaum X23 Boiler ohne Reinigung 10.20 Con4		x	x				1			X23
X023	5253660	Wiring Loom X23 Boiler without Clean 12.20 Con4	Kabelbaum X23 Boiler ohne Reinigung 12.20 Con4		x	x					1		X23
X023	5253662	Wiring Loom X23 Boiler without Clean 20.10 Con4	Kabelbaum X23 Boiler ohne Reinigung 20.10 Con4		x	x						1	X23
X023	5253654	Wiring Loom X23 Boiler without Clean 20.20 Con4	Kabelbaum X23 Boiler ohne Reinigung 20.20 Con4		x	x						1	X23
X023	5253621	Wiring Loom X23 Sprayer incl. Clean 6.10 Con4	Kabelbaum X23 Spritzer inkl. Reinigung 6.10 Con4		x	x	1						X23
X023	5253633	Wiring Loom X23 Sprayer incl. Clean 6.20 Con4	Kabelbaum X23 Spritzer inkl. Reinigung 6.20 Con4		x	x		1					X23
X023	5253637	Wiring Loom X23 Sprayer incl. Clean 10.10 Con4	Kabelbaum X23 Spritzer inkl. Reinigung 10.10 Con4		x	x			1				X23
X023	5253625	Wiring Loom X23 Sprayer incl. Clean 10.20 Con4	Kabelbaum X23 Spritzer inkl. Reinigung 10.20 Con4		x	x				1			X23
X023	5253641	Wiring Loom X23 Sprayer incl. Clean 12.20 Con4	Kabelbaum X23 Spritzer inkl. Reinigung 12.20 Con4		x	x					1		X23
X023	5253645	Wiring Loom X23 Sprayer incl. Clean 20.10 Con4	Kabelbaum X23 Spritzer inkl. Reinigung 20.10 Con4		x	x						1	X23
X023	5253629	Wiring Loom X23 Sprayer incl. Clean 20.20 Con4	Kabelbaum X23 Spritzer inkl. Reinigung 20.20 Con4		x	x						1	X23
X023	5253670	Wiring Loom X23 Sprayer without Clean 6.10 Con4	Kabelbaum X23 Spritzer ohne Reinigung 6.10 Con4		x	x	1						X23
X023	5253676	Wiring Loom X23 Sprayer without Clean 6.20 Con4	Kabelbaum X23 Spritzer ohne Reinigung 6.20 Con4		x	x		1					X23
X023	5253678	Wiring Loom X23 Sprayer without Clean 10.10 Con4	Kabelbaum X23 Spritzer ohne Reinigung 10.10 Con4		x	x			1				X23
X023	5253672	Wiring Loom X23 Sprayer without Clean 10.20 Con4	Kabelbaum X23 Spritzer ohne Reinigung 10.20 Con4		x	x				1			X23
X023	5253680	Wiring Loom X23 Sprayer without Clean 12.20 Con4	Kabelbaum X23 Spritzer ohne Reinigung 12.20 Con4		x	x					1		X23
X023	5253682	Wiring Loom X23 Sprayer without Clean 20.10 Con4	Kabelbaum X23 Spritzer ohne Reinigung 20.10 Con4		x	x						1	X23
X023	5253674	Wiring Loom X23 Sprayer without Clean 20.20 Con4	Kabelbaum X23 Spritzer ohne Reinigung 20.20 Con4		x	x						1	X23
X023	5253733	Wiring Loom X23 Boiler Tabletop Models incl. Clean Greasemanagement Con4	Kabelbaum X23 Boiler Tischgeräte inkl. Reing. Fettmanagement Con4		x	x	1	1	1	1			X23
X023	5253740	Wiring Loom X23 Sprayer Tabletop Models incl. Clean Greasemanagement Con4	Kabelbaum X23 Spritzer Tischgeräte inkl. Reing. Fettmanagement Con4		x	x	1	1	1	1			X23
X023	5253736	Wiring Loom X23 Boiler Floorstanding Models incl. Clean Greasemanagement Con4	Kabelbaum X23 Boiler Standgeräte inkl. Reing. Fettmanagement Con4		x	x					1	1	X23
X023	5253743	Wiring Loom X23 Sprayer Floorstanding Models incl. Clean Greasemanagement Con4	Kabelbaum X23 Spritzer Standgeräte inkl. Reing. Fettmanagement Con4		x	x					1	1	X23
X025	5265706	Wiring Loom X25 and X2Q0 repair set Con4	Kabelbaum X25 und X2Q0 Reparaturset Con4		x	x	1	1	1	1	1	1	X025
X026	5253504	Wiring Loom X26 Electric Boiler 6.10 Con4	Kabelbaum X26 Elektro Boiler 6.10 Con4		x		1						X26
X026	5253529	Wiring Loom X26 Electric Boiler 6.20 Con4	Kabelbaum X26 Elektro Boiler 6.20 Con4		x			1					X26
X026	5253537	Wiring Loom X26 Electric Boiler 10.10 Con4	Kabelbaum X26 Elektro Boiler 10.10 Con4		x				1				X26
X026	5253512	Wiring Loom X26 Electric Boiler 10.20 Con4	Kabelbaum X26 Elektro Boiler 10.20 Con4		x					1			X26
X026	5253545	Wiring Loom X26 Electric Boiler 12.20 Con4	Kabelbaum X26 Elektro Boiler 12.20 Con4		x						1		X26
X026	5253553	Wiring Loom X26 Electric Boiler 20.10 Con4	Kabelbaum X26 Elektro Boiler 20.10 Con4		x							1	X26
X026	5253520	Wiring Loom X26 Electric Boiler 20.20 Con4	Kabelbaum X26 Elektro Boiler 20.20 Con4		x							1	X26
X026	5253622	Wiring Loom X26 Electric Sprayer 6.10 Con4	Kabelbaum X26 Elektro Spritzer 6.10 Con4		x		1						X26
X026	5253634	Wiring Loom X26 Electric Sprayer 6.20 Con4	Kabelbaum X26 Elektro Spritzer 6.20 Con4		x			1					X26
X026	5253638	Wiring Loom X26 Electric Sprayer 10.10 Con4	Kabelbaum X26 Elektro Spritzer 10.10 Con4		x				1				X26
X026	5253626	Wiring Loom X26 Electric Sprayer 10.20 Con4	Kabelbaum X26 Elektro Spritzer 10.20 Con4		x					1			X26
X026	5253642	Wiring Loom X26 Electric Sprayer 12.20 Con4	Kabelbaum X26 Elektro Spritzer 12.20 Con4		x						1		X26
X026	5253646	Wiring Loom X26 Electric Sprayer 20.10 Con4	Kabelbaum X26 Elektro Spritzer 20.10 Con4		x							1	X26
X026	5253630	Wiring Loom X26 Electric Sprayer 20.20 Con4	Kabelbaum X26 Elektro Spritzer 20.20 Con4		x							1	X26
X026	5253690	Wiring Loom X26 Gas Boiler 6.10 Conv 4	Kabelbaum X26 Gas Boiler 6.10 Con4		x	1							X26
X026	5264022	Wiring Loom X26 Gas Boiler 6.10 UL (incl. 5253710) Conv 4	Kabelbaum X26 Gas Boiler 6.10 UL (beinh. 5253710) Con4		x	1							X26
X026	5253691	Wiring Loom X26 Gas Boiler 6.20 Con4	Kabelbaum X26 Gas Boiler 6.20 Con4		x		1						X26
X026	5264023	Wiring Loom X26 Gas Boiler 6.20 UL (incl. 5253711) Con4	Kabelbaum X26 Gas Boiler 6.20 UL (beinh. 5253711) Con4		x			1					X26
X026	5253692	Wiring Loom X26 Gas Boiler 10.10 Con4	Kabelbaum X26 Gas Boiler 10.10 Con4		x				1				X26
X026	5264024	Wiring Loom X26 Gas Boiler 10.10 UL (incl. 5253712) Con4	Kabelbaum X26 Gas Boiler 10.10 UL (beinh. 5253712) Con4		x					1			X26

#	ET-Nr. Part No	Description	Beschreibung	Elektro	Gas	6.10	6.20	10.10	10.20	12.20	20.10	20.20	BMK / ID
X026	5253693	Wiring Loom X26 Gas Boiler 10.20 CE Con4	Kabelbaum X26 Gas Boiler 10.20 CE Con4	x					1				X26
X026	5264025	Wiring Loom X26 Gas Boiler 10.20 UL (incl. 5253713) Con4	Kabelbaum X26 Gas Boiler 10.20 UL (beinh. 5253713) Con4	x					1				X26
X026	5253694	Wiring Loom X26 Gas Boiler 12.20 CE Con4	Kabelbaum X26 Gas Boiler 12.20 CE Con4	x						1			X26
X026	5264026	Wiring Loom X26 Gas Boiler 12.20 UL (incl. 5253714) Con4	Kabelbaum X26 Gas Boiler 12.20 UL (beinh. 5253714) Con4	x						1			X26
X026	5253695	Wiring Loom X26 Gas Boiler 20.10 CE Con4	Kabelbaum X26 Gas Boiler 20.10 CE Con4	x							1		X26
X026	5264027	Wiring Loom X26 Gas Boiler 20.10 UL (incl. 5253715) Con4	Kabelbaum X26 Gas Boiler 20.10 UL (beinh. 5253715) Con4	x							1		X26
X026	5253696	Wiring Loom X26 Gas Boiler 20.20 CE Con4	Kabelbaum X26 Gas Boiler 20.20 CE Con4	x								1	X26
X026	5264028	Wiring Loom X26 Gas Boiler 20.20 UL (incl. 5253716) Con4	Kabelbaum X26 Gas Boiler 20.20 UL (beinh. 5253716) Con4	x								1	X26
X026	5253697	Wiring Loom X26 Gas Sprayer 6.10 CE Con4	Kabelbaum X26 Gas Spritzer 6.10 CE Con4	x	1								X26
X026	5264029	Wiring Loom X26 Gas Sprayer 6.10 UL (incl. 5253717) Con4	Kabelbaum X26 Gas Spritzer 6.10 UL (beinh. 5253717) Con4	x	1								X26
X026	5253698	Wiring Loom X26 Gas Sprayer 6.20 CE Con4	Kabelbaum X26 Gas Spritzer 6.20 CE Con4	x		1							X26
X026	5264030	Wiring Loom X26 Gas Sprayer 6.20 UL (incl. 5253718) Con4	Kabelbaum X26 Gas Spritzer 6.20 UL (beinh. 5253718) Con4	x		1							X26
X026	5253699	Wiring Loom X26 Gas Sprayer 10.10 CE Con4	Kabelbaum X26 Gas Spritzer 10.10 CE Con4	x				1					X26
X026	5264031	Wiring Loom X26 Gas Sprayer 10.10 UL (incl. 5253719) Con4	Kabelbaum X26 Gas Spritzer 10.10 UL (beinh. 5253719) Con4	x				1					X26
X026	5253700	Wiring Loom X26 Gas Sprayer 10.20 CE Con4	Kabelbaum X26 Gas Spritzer 10.20 CE Con4	x					1				X26
X026	5264032	Wiring Loom X26 Gas Sprayer 10.20 UL (incl. 5253720) Con4	Kabelbaum X26 Gas Spritzer 10.20 UL (beinh. 5253720) Con4	x					1				X26
X026	5253701	Wiring Loom X26 Gas Sprayer 12.20 CE Con4	Kabelbaum X26 Gas Spritzer 12.20 CE Con4	x						1			X26
X026	5264033	Wiring Loom X26 Gas Sprayer 12.20 UL (incl. 5253721) Con4	Kabelbaum X26 Gas Spritzer 12.20 UL (beinh. 5253721) Con4	x						1			X26
X026	5253702	Wiring Loom X26 Gas Sprayer 20.10 CE Con4	Kabelbaum X26 Gas Spritzer 20.10 CE Con4	x							1		X26
X026	5264034	Wiring Loom X26 Gas Sprayer 20.10 UL (incl. 5253722) Con4	Kabelbaum X26 Gas Spritzer 20.10 UL (beinh. 5253722) Con4	x							1		X26
X026	5253703	Wiring Loom X26 Gas Sprayer 20.20 CE Con4	Kabelbaum X26 Gas Spritzer 20.20 CE Con4	x								1	X26
X026	5264035	Wiring Loom X26 Gas Sprayer 20.20 UL (incl. 5253723) Con4	Kabelbaum X26 Gas Spritzer 20.20 UL (beinh. 5253723) Con4	x								1	X26
X027	5256480	Wiring Loom X27 (includes 5253505) Con4	Kabelbaum X27 (beinhaltet 5253505) Con4	x	x	1	1	1	1	1	1	1	X27
X030	5256451	Wiring Loom X30 20.10 20.20 (includes 5253524) Con4	Kabelbaum X30 20.10 20.20 (beinhaltet 5253524) Con4	x	x							1	X30
X040	5253506	Wiring Loom X40 Boiler incl. Clean 6.10 Con4	Kabelbaum X40 Boiler inkl. Reinigung 6.10 Con4	x	x	1							X40
X040	5253531	Wiring Loom X40 Boiler incl. Clean 6.20 Con4	Kabelbaum X40 Boiler inkl. Reinigung 6.20 Con4	x	x		1						X40
X040	5253539	Wiring Loom X40 Boiler incl. Clean 10.10 Con4	Kabelbaum X40 Boiler inkl. Reinigung 10.10 Con4	x	x			1					X40
X040	5253514	Wiring Loom X40 Boiler incl. Clean 10.20 Con4	Kabelbaum X40 Boiler inkl. Reinigung 10.20 Con4	x	x				1				X40
X040	5253547	Wiring Loom X40 Boiler incl. Clean 12.20 Con4	Kabelbaum X40 Boiler inkl. Reinigung 12.20 Con4	x	x					1			X40
X040	5253555	Wiring Loom X40 Boiler incl. Clean 20.10 Con4	Kabelbaum X40 Boiler inkl. Reinigung 20.10 Con4	x	x						1		X40
X040	5253522	Wiring Loom X40 Boiler incl. Clean 20.20 Con4	Kabelbaum X40 Boiler inkl. Reinigung 20.20 Con4	x	x							1	X40
X040	5253651	Wiring Loom X40 Boiler without Clean 6.10 Con4	Kabelbaum X40 Boiler ohne Reinigung 6.10 Con4	x	x	1							X40
X040	5253657	Wiring Loom X40 Boiler without Clean 6.20 Con4	Kabelbaum X40 Boiler ohne Reinigung 6.20 Con4	x	x		1						X40
X040	5253659	Wiring Loom X40 Boiler without Clean 10.10 Con4	Kabelbaum X40 Boiler ohne Reinigung 10.10 Con4	x	x			1					X40
X040	5253653	Wiring Loom X40 Boiler without Clean 10.20 Con4	Kabelbaum X40 Boiler ohne Reinigung 10.20 Con4	x	x				1				X40
X040	5253661	Wiring Loom X40 Boiler without Clean 12.20 Con4	Kabelbaum X40 Boiler ohne Reinigung 12.20 Con4	x	x					1			X40
X040	5253663	Wiring Loom X40 Boiler without Clean 20.10 Con4	Kabelbaum X40 Boiler ohne Reinigung 20.10 Con4	x	x						1		X40
X040	5253655	Wiring Loom X40 Boiler without Clean 20.20 Con4	Kabelbaum X40 Boiler ohne Reinigung 20.20 Con4	x	x							1	X40
X040	5253623	Wiring Loom X40 Sprayer incl. Clean 6.10 Con4	Kabelbaum X40 Spritzer inkl Reinigung 6.10 Con4	x	x	1							X40
X040	5253635	Wiring Loom X40 Sprayer incl. Clean 6.20 Con4	Kabelbaum X40 Spritzer inkl. Reinigung 6.20 Con4	x	x		1						X40
X040	5253639	Wiring Loom X40 Sprayer incl. Clean 10.10 Con4	Kabelbaum X40 Spritzer inkl Reinigung 1 0.10 Con4	x	x			1					X40
X040	5253627	Wiring Loom X40 Sprayer incl. Clean 10.20 Con4	Kabelbaum X40 Spritzer inkl Reinigung 10.20 Con4	x	x				1				X40
X040	5253643	Wiring Loom X40 Sprayer incl. Clean 12.20 Con4	Kabelbaum X40 Spritzer inkl Reinigung 12.20 Con4	x	x					1			X40
X040	5253647	Wiring Loom X40 Sprayer incl. Clean 20.10 Con4	Kabelbaum X40 Spritzer inkl Reinigung 20.10 Con4	x	x						1		X40
X040	5253631	Wiring Loom X40 Sprayer incl. Clean 20.20 Con4	Kabelbaum X40 Spritzer inkl Reinigung 20.20 Con4	x	x							1	X40
X040	5253671	Wiring Loom X40 Sprayer without Clean 6.10 Con4	Kabelbaum X40 Spritzer ohne Reinigung 6.10 Con4	x	x	1							X40
X040	5253677	Wiring Loom X40 Sprayer without Clean 6.20 Con4	Kabelbaum X40 Spritzer ohne Reinigung 6.20 Con4	x	x		1						X40
X040	5253679	Wiring Loom X40 Sprayer without Clean 10.10 Con4	Kabelbaum X40 Spritzer ohne Reinigung 10.10 Con4	x	x			1					X40
X040	5253673	Wiring Loom X40 Sprayer without Clean 10.20 Con4	Kabelbaum X40 Spritzer ohne Reinigung 10.20 Con4	x	x				1				X40
X040	5253681	Wiring Loom X40 Sprayer without Clean 12.20 Con4	Kabelbaum X40 Spritzer ohne Reinigung 12.20 Con4	x	x					1			X40
X040	5253683	Wiring Loom X40 Sprayer without Clean 20.10 Con4	Kabelbaum X40 Spritzer ohne Reinigung 20.10 Con4	x	x						1		X40
X040	5253675	Wiring Loom X40 Sprayer without Clean 20.20 Con4	Kabelbaum X40 Spritzer ohne Reinigung 20.20 Con4	x	x							1	X40
X041	5253744	Wiring Loom X41 Greasemanagement, Vaporreduction Con4	Kabelbaum X41 Fettmanagement, Kondensationseinheit Con4	x	x	1	1	1	1	1	1	1	X41
X045	5256485	Wiring Loom X45 (includes 5253507) Con4	Kabelbaum X45 (beinhaltet 5253507) Con4	x	x	1	1	1	1	1	1	1	X45
X046	5253756	Wiring Loom X46 Tabletop Models Greasemanagement CE Con4	Kabelbaum X46 Tischgeräte Fettmanagement CE Con4	x	x	1	1	1	1				X46
X046	5253758	Wiring Loom X46 Floorstanding Models Greasemanagement CE Con4	Kabelbaum X46 Standgeräte Fettmanagement CE Con4	x	x					1	1	1	X46
X046	5253761	Wiring Loom X46 Tabletop Models Greasemanagement UL Con4	Kabelbaum X46 Tischgeräte Fettmanagement UL Con4	x	x	1	1	1	1				X46
X046	5253763	Wiring Loom X46 Floorstanding Models Greasemanagement UL Con4	Kabelbaum X46 Standgeräte Fettmanagement UL Con4	x	x					1	1	1	X46
X231	5253880	Wiring Loom X231 X401 for Cleaning Con4	Kabelbaum X231 X401 für Reinigung Con4	x	x	1	1	1	1	1	1	1	X231 X401
X411	5253746	Wiring Loom X411 Tabletop Models Greasemanagement Con4	Kabelbaum X411 Tischgeräte Fettmanagement Con4	x	x	1	1	1	1				X411
X411	5253747	Wiring Loom X411 Floorstanding Models Greasemanagement Con4	Kabelbaum X411 Standgeräte Fettmanagement Con4	x	x					1	1	1	X411
X412	5253752	Wiring Loom X412 Vaporreduction Con4	Kabelbaum X412 Kondensationseinheit Con4	x	x	1	1	1	1	1	1	1	X412