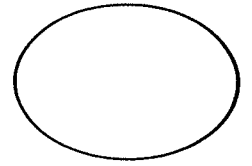
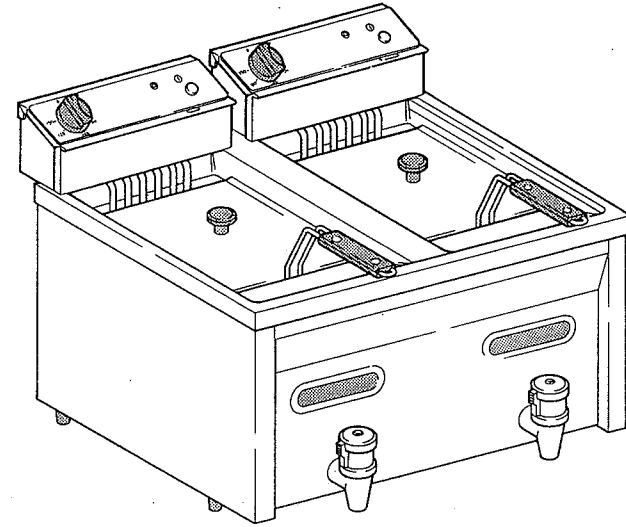
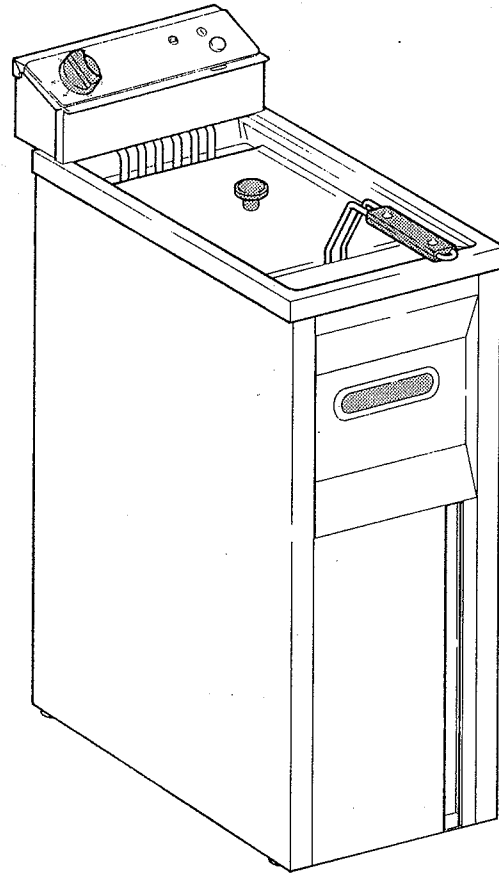


**WOLK**



*fri-me-mg*

23 00 71 (3300 W - 220/380 V)  
23 00 68 (4950 W - 220/380 V)  
23 00 72 (6600 W - 220/380 V)

