

MAR 5-10-20-30

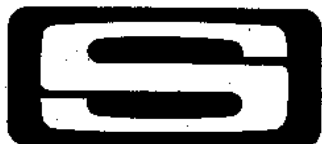
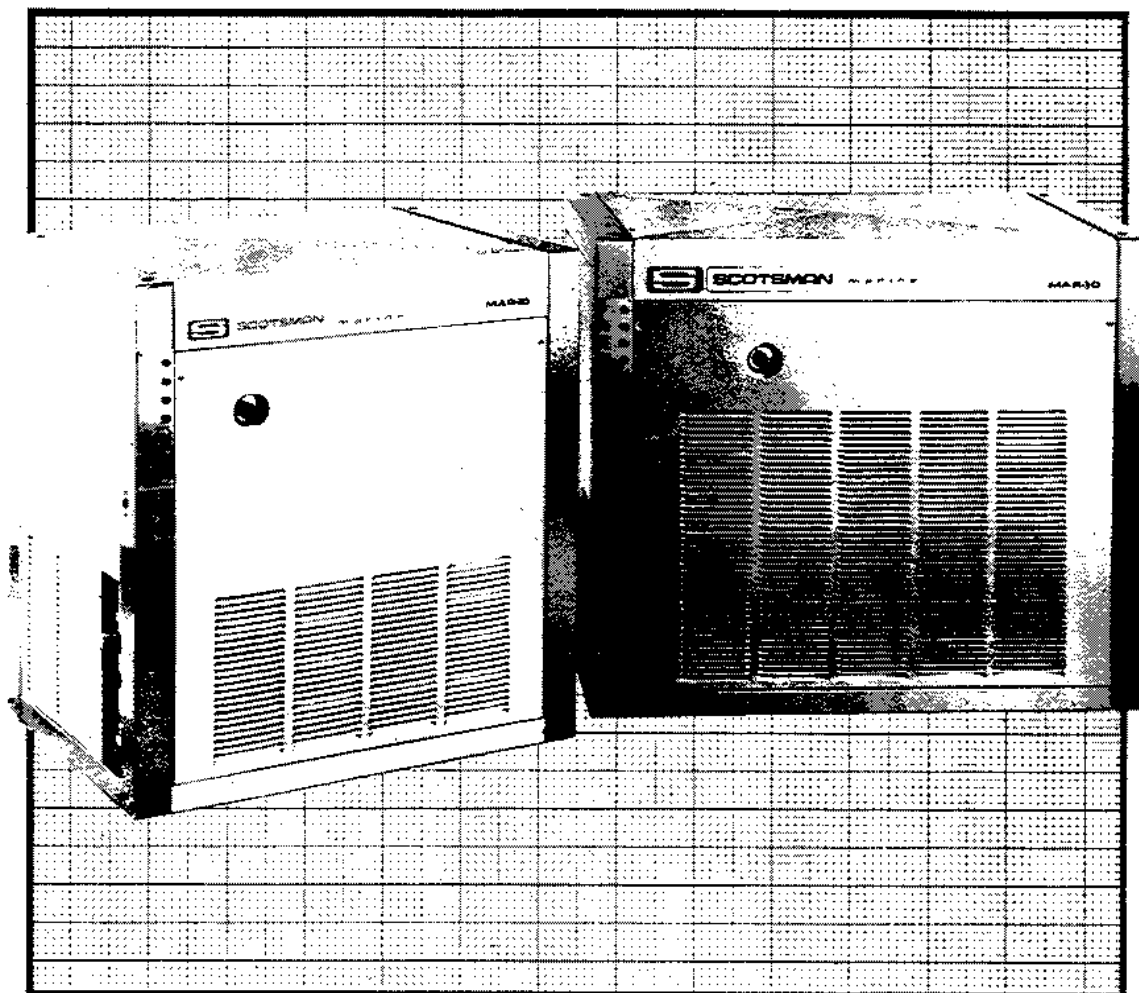
Fresh water scale ice makers

Spare parts list

Catalogo ricambi

Catalogues pièces détachées

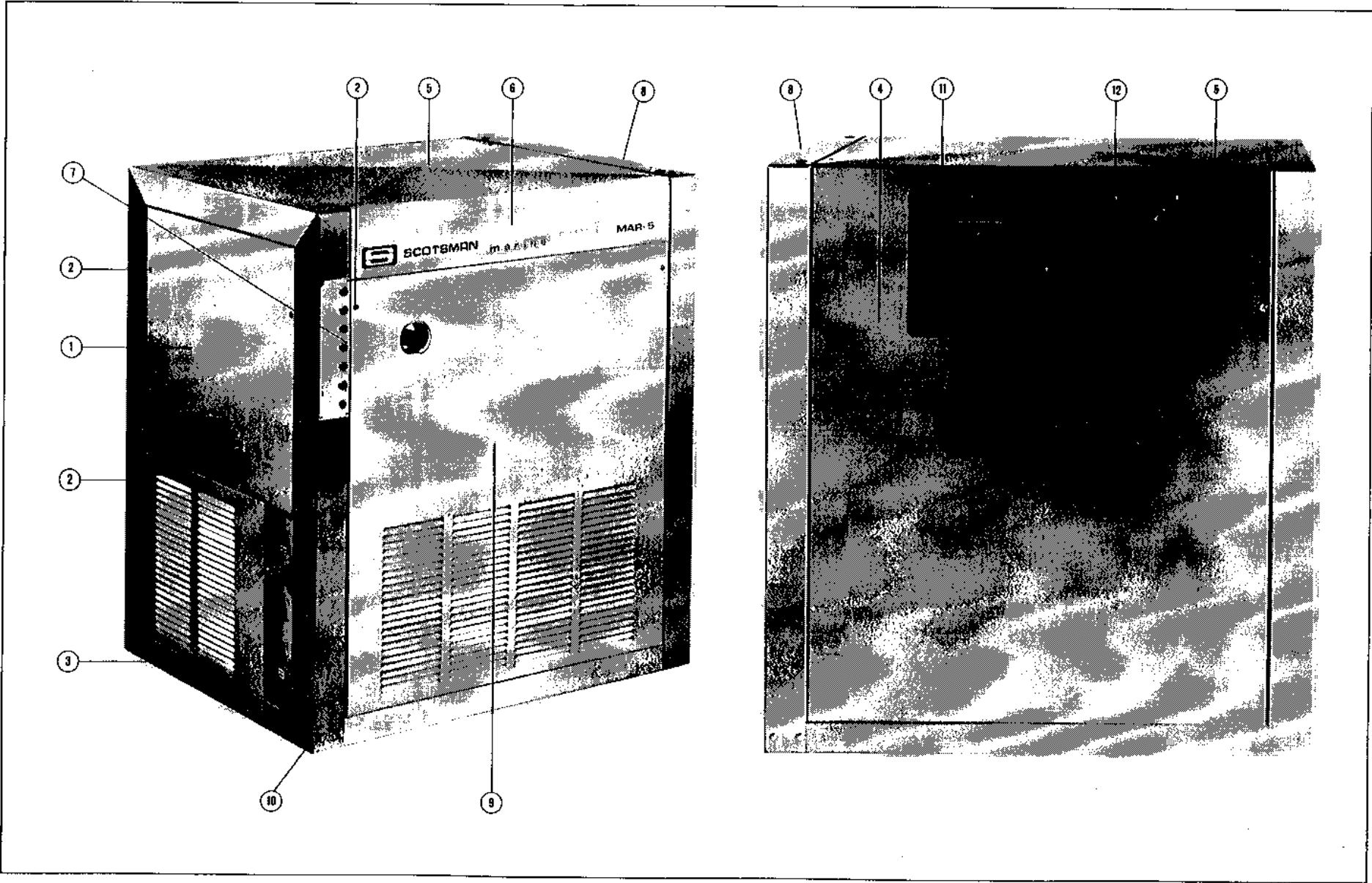
Ersatzteilkatalog



SCOTSMAN®

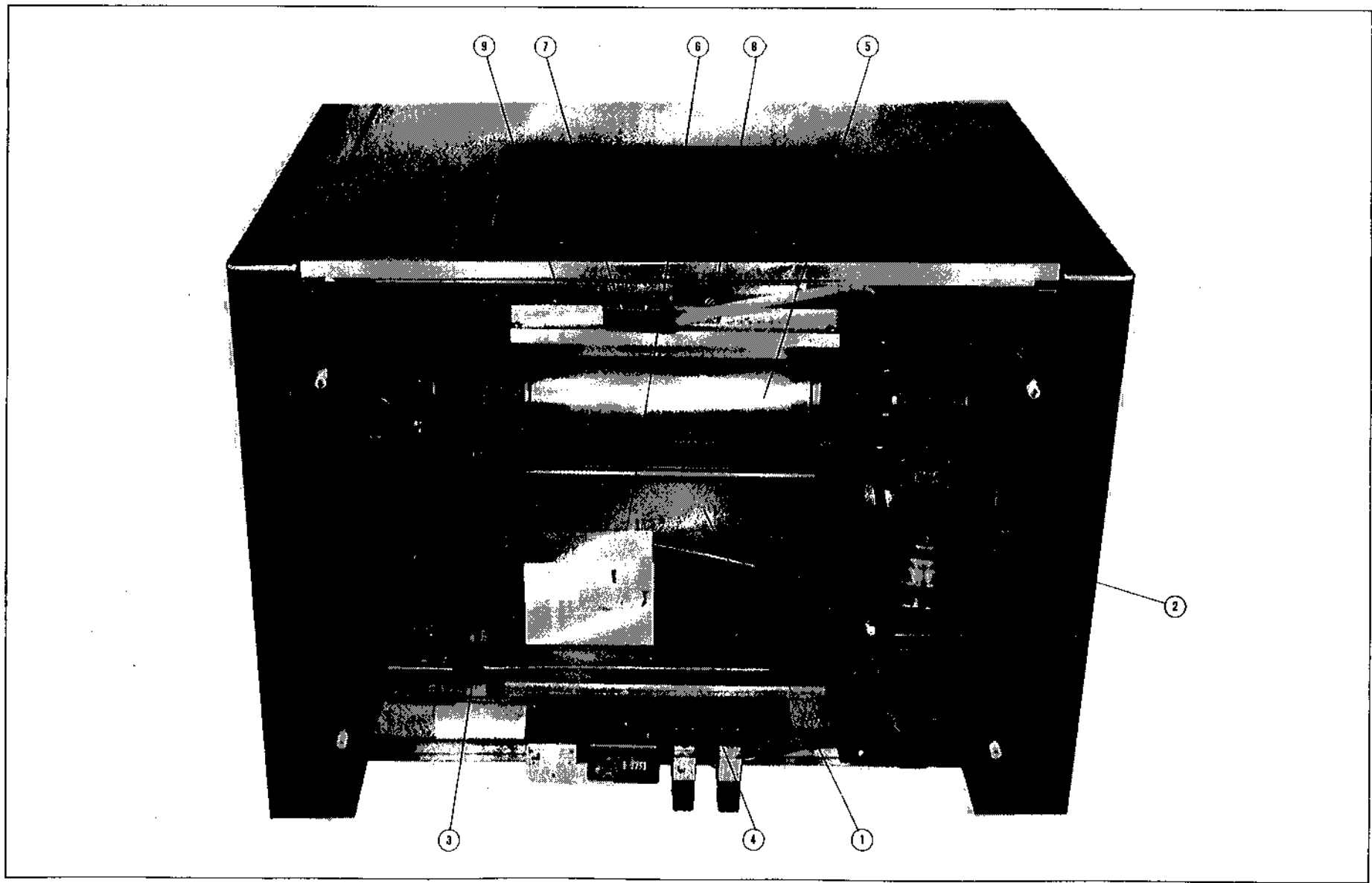
ICE SYSTEMS

PAGE PAGINA PAGE SEITE	TABLE OF CONTENTS	INDICE	TABLE DES MATIÈRES	INHALTVERZEICHNIS
3	TABLE OF CONTENTS	INDICE	TABLE DES MATIÈRES	INHALTVERZEICHNIS
4/5	MAR 5-10-20-30 - UNIT PANELS	MAR 5-10-20-30 - ASSIEME MOBILE	MAR 5-10-20-30 - ENS. CORROSSERIE	MAR 5-10-20-30 - AUSWAENDE
6/7	MAR 5-10-20-30 - TOP VIEW	MAR 5-10-20-30 - VISTA SUPERIORE	MAR 5-10-20-30 - VUE SUPERIEURE	MAR 5-10-20-30 - ABDECKANSICHT
8/9	MAR 5-10-20-30 - DRIVE SIDE VIEW	MAR 5-10-20-30 - VISTA LATO MOTORIDUTTORE	MAR 5-10-20-30 - VUE COTÉ MOTOREDUCTEUR	MAR 5-10-20-30 - GETRIEBEMOTORSEITENANSICHT
10/11	MAR 5-10-20-30 - LEFT SIDE VIEW	MAR 5-10-20-30 - VISTA LATERALE SINISTRA	MAR 5-10-20-30 - VUE COTÉ GAUCHE	MAR 5-10-20-30 - LINKENANSICHT
12/13	MAR 5-10-20-30 - REAR SIDE VIEW	MAR 5-10-20-30 - VISTA POSTERIORE	MAR 5-10-20-30 - VUE ARRIERE	MAR 5-10-20-30 - RUECKENANSICHT
14/15	MAR 5-10-20-30 - FRONT SIDE VIEW	MAR 5-10-20-30 - VISTA FRONTALE	MAR 5-10-20-30 - VUE FRONTALE	MAR 5-10-20-30 - VORDERANSICHT
16/17	MAR 30 - AIR COOLED - REM. CONDENSER	MAR 30 - RAFF. AD ARIA - COND. REMOTO	MAR 30 - REFROIDI PAR AIR - COND. A DISTANCE	MAR 30 - LUFTGEKUEHLT - REMOTE KONDENSATOR
18/19	MAR 5-10-20-30 - EVAPORATOR ASSY	MAR 5-10-20-30 - ASS. EVAPORATORE	MAR 5-10-20-30 - ENS. EVAPORATEUR	MAR 5-10-20-30 - KOMPLET VERDAMPFER
20/21	MAR 5-10-20-30 - SEAL MECH. ASSY	MAR 5-10-20-30 - ASSIEME TENUTA MECCANICA	MAR 5-10-20-30 - ENS. GARNITURE D'ETANCHEITE	MAR 5-10-20-30 - GEFRIERMITTEL DICHTUNG
22/23	MAR 5-10-20-30 - EVAPORATOR ASSY ■	MAR 5-10-20-30 - ASS. EVAPORATORE ■	MAR 5-10-20-30 - ENS. EVAPORATEUR ■	MAR 5-10-20-30 - KOMPLET VERDAMPFER ■
24/25	MAR 5-10-20-30 - SEAL MECH. ASSY ■	MAR 5-10-20-30 - ASSIEME TENUTA MECCANICA ■	MAR 5-10-20-30 - ENS. GARNITURE D'ETANCHEITE ■	MAR 5-10-20-30 - GEFRIERMITTEL DICHTUNG ■
26/27	MAR 5-10 - EVAPORATOR ASSY *	MAR 5-10 - ASS. EVAPORATORE *	MAR 5-10 - ENS. EVAPORATEUR *	MAR 5-10 - KOMPLET VERDAMPFER *
28/29	MAR 5-10-20-30 - GEAR REDUCER ■	MAR 5-10-20-30 - RIDUTTORE ■	MAR 5-10-20-30 - REDUCTEUR ■	MAR 5-10-20-30 - GETRIEBE ■
30	MAR 5-10-20-30 - WATER COOLED	MAR 5-10-20-30 - RAFF. AD ACQUA	MAR 5-10-20-30 - REFROIDI PAR EAU	MAR 5-10-20-30 - WASSERGEKUEHLT
	* UP to MAR 5 S.N. 1009 and MAR 10 from S.N. 2001 to S.N. 2009	* Fino al MAR 5 N.S. 1009 e MAR 10 dal N.S. 2001 fino al N.S. 2009	* MAR 5 jusqu'à N.S. 1009 et MAR 10 a partir de N.S. 2001 a N.S. 2009	* MAR 5 bis S.N. 1009 und MAR 10 vom S.N. 2001 bis S.N. 2009
	■ Up to MAR 5 S.N. 1178 MAR 10 S.N. 2092 MAR 20 S.N. 2078 MAR 30 S.N. 1030	■ Fino al MAR 5 N.S. 1178 MAR 10 N.S. 2092 MAR 20 N.S. 2078 MAR 30 N.S. 1030	■ Jusqu'à MAR 5 N.S. 1178 MAR 10 N.S. 2092 MAR 20 N.S. 2078 MAR 30 N.S. 1030	■ Bis MAR 5 S.N. 1178 MAR 10 S.N. 2092 MAR 20 S.N. 2078 MAR 30 S.N. 1030



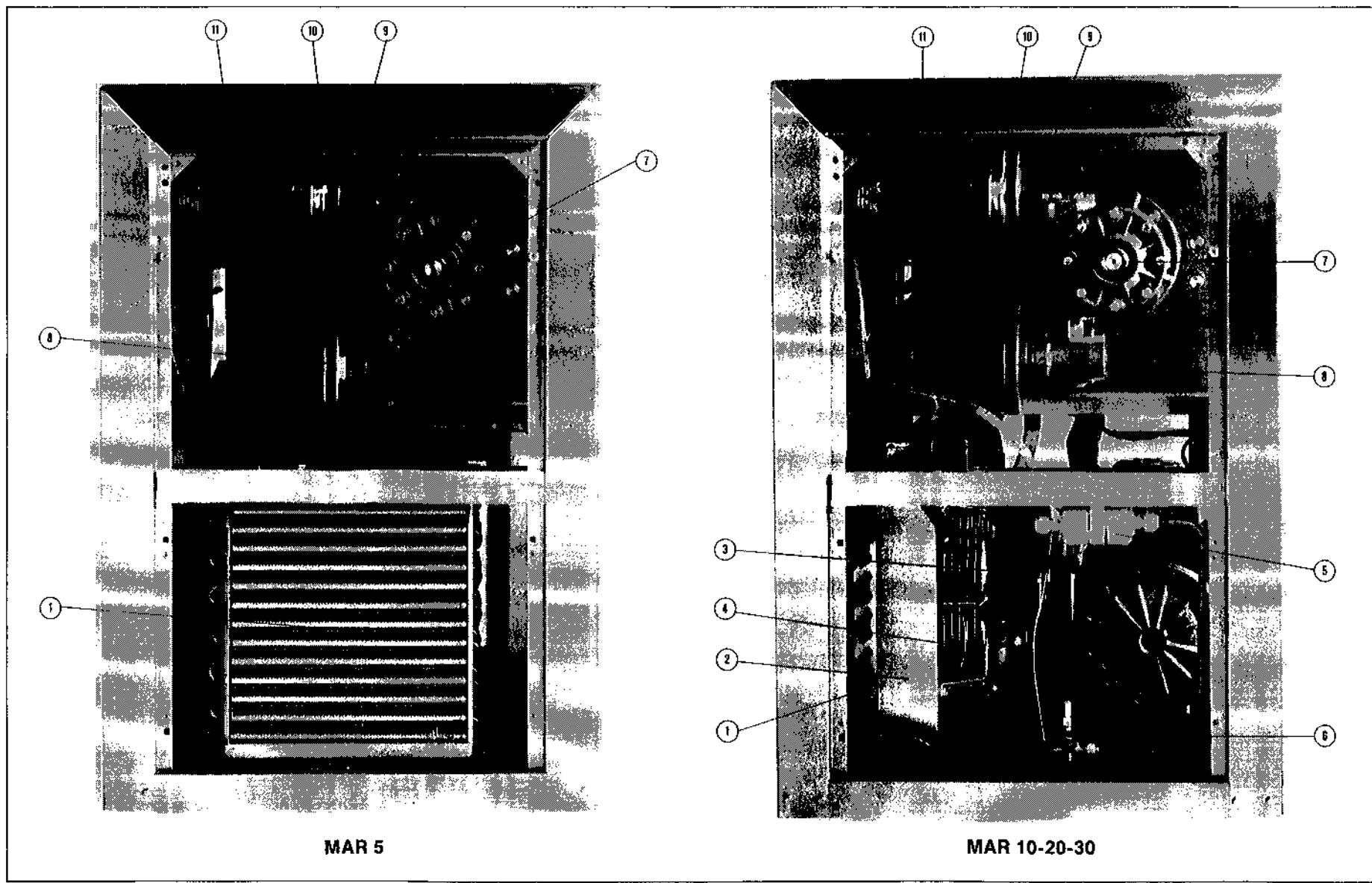
MAR 5-10-20-30 - UNIT PANELS - ASSIEME MOBILE - ENS. CORROSERIE - AUSWAENDE

ITEM NO	PART NO				DESCRIPTION	DESCRIZIONE	DÉSIGNATION	BESCHREIBUNG
	MAR 5	MAR 10	MAR 20	MAR 30				
1	721449.03	721449.04	721449.02		LEFT SIDE PANEL UPPER	PANN. LAT. SIN. SUPERIORE	PANNEAU GAUCHE SUP.	LINKE AUSSENWAND OBERE
2	721478.00	721478.001 470002.04 650428.03	721448.00		LEFT SIDE PANEL LOWER SCREW PLASTIC CLIP	PANN. LAT. SIN. INFERIORE VITE MOLLETTA IN PLASTICA	PANNEAU GAUCHE INF. VIS CLIP EN PLASTIQUE	LINKE AUSSENWAND UNTERE SCHRAUBE PLASTISCHE MUTTER
3	781371.00	781372.00	781366.00		BASE ASSY	ASSIEME BAS.	ENSEMBLE CHASSIS	UNTERGESTELLEINHEIT
4	721461.00	721462.00	721447.00 721460.00		UPPER REAR PANEL LOWER REAR PANEL	PANNELLO POSTERIORE SUP. PANNELLO POSTERIORE INF.	PANNEAU ARRIERE SUP. PANNEAU ARRIERE INF.	OBERERUECKWAND UNTERERUECKWAND
5	721444.00	721444.01	721444.02		TOP PANEL	PANNELLO SUPERIORE	PANNEAU DESSUS	ABDECKHAUBE
6	721445.00	721445.01	721445.02	721445.03	UPPER FRONT STRIPE	FRONTALINO	BANDEAU ENTRETOISE	ENDELSTAHL-BANDSTREIFEN
7	721330.00				NAMEPLATE	TARGHETTA	PLAQUETTE	PLATTE
8	721479.01		721450.00		RIGHT PANEL	PANNELLO DESTRO	PANNEAU DROITE	RECHTE SEITENWAND
9	721477.00	721477.01	721446.00 721460.00		UPPER FRONT PANEL LOWER FRONT PANEL	PANNELLO FRONTALE SUP. PANNELLO FRONTALE INF.	PANNEAU AVANT SUP. PANNEAU AVANT INF.	OBEREVORDERVAND UNTEREVORDERVAND
10	764011.00				LEG SOCKET	SUPPORTO PIEDINI	SUPPORT PIEDS	FUSSEANLAGE
11	660478.00		660478.01		SPOUT OPENING FRAME	CARTER BOCCA USCITA GHIACCIO	CARTER GOULOTTE SORTIE GLACE	TRICHTEREINHEIT



MAR 5-10-20-30 - TOP VIEW - VISTA SUPERIORE - VUE SUPERIEURE - OBERE ANSICHT

ITEM NO	PART NO				DESCRIPTION	DESCRIZIONE	DÉSIGNATION	BESCHREIBUNG
	MAR 5	MAR 10	MAR 20	MAR 30				
1	794261.00 794271.00		794264.00 794274.00		EVAPORATOR DRUM BASIN EVAPORATOR DRUM BASIN	ASSIEME VASCA EVAPORATORE ASSIEME VASCA EVAPORATORE	ENSEMBLE CUVE EVAPORATEUR ENSEMBLE CUVE EVAPORATEUR	WASSERBAD WASSERBAD
2	742098.00 794272.00		742095.00 794272.01		BASIN SIDE - GEAR SIDE BASIN SIDE - GEAR SIDE	FIANCO VASCA - LATO RIDUTT. FIANCO VASCA - LATO RIDUTT.	PARTIE DROITE DE CUVE PARTIE DROITE DE CUVE	WASSERBAD RECHTENSEITE WASSERBAD RECHTENSEITE
3	742097.00 794273.00		742094.00 794273.01		BASIN SIDE - REFR. SIDE BASIN SIDE - REFR. SIDE	FIANCO VASCA - LATO REFR. FIANCO VASCA - LATO REFR.	PARTIE GAUCHE DE CUVE PARTIE GAUCHE DE CUVE	WASSERBAD LINKENSEITE WASSERBAD LINKENSEITE
4	724263.05 723120.05	420000.02 441001.07	724263.04 723120.04		BASIN BODY TIE-ROD SCREW WASHER	CORPO VASCA TIRANTE VITE RONDELLA	PARTIE CENTRALE DE CUVE ARBRE VIS RONDELLE	WASSERBAD BANDEN SHAFT SCHRAUBE SCHEIBE
5	784353.00 784353.02		784353.01 784353.03		EVAP. DRUM ASSY EVAP. DRUM ASSY	ASSIEME TAMBURO EVAP. ASSIEME TELAIO EVAP.	ENSEMBLE TAMBOUR EVAP. ENSEMBLE TAMBOUR EVAP.	KOMPLETT VERDAMPFER KOMPLETT VERDAMPFER
6	793126.13 660459.00 660363.00 783127.00	743128.02 430014.00 440015.03 783153.00 460038.02 640100.00	793126.14 783159.00 783160.00 783161.00		FLOAT RESERV. ASSY RESERVOIR COVER FLOAT BALL FLOAT VALVE BRACKET SCREW WASHER NOZZLE RING O RING	ASSIEME VASCHETTA GALLEGGIANTE VASCHETTA. COPERCHIO GALLEGGIANTE SUPPORTO GALLEGGIANTE VITE RONDELLA UGELLO ANELLO ANELLO OR	ENSEMBLE RESERV. A FLOTTEUR RESERVOIR COUVERCLE FLOTTEUR SUPPORT FLOTTEUR VIS RONDELLE GICLEUR ANNEAU JOINT TORIQUE	BECKEN EINHEIT MIT SCHWIMMER VENT BECKENEINHEIT DECKEL SCHWIMMER SCHWIMMERTRAGER SCHRAUBE SCHEIBE RING RING SIMMERING
7		620366.00			SPOUT SWITCH	MICRO-BOCCHETTA	MICRO-GOULOTTE	MICRO-SCHALTER
8		650161.00			SPRING	MOLLETTA	RESSORT	FEDER
9	724276.01 724278.00		724276.00 724278.01		PRESSURE PLATE SAFETY PLATE	PIASTRA DI PRESSIONE PIASTRA DI SICUREZZA	PLAQUETTE DE PRESSION PLAQUETTE DE SECURITÉ	DRUCKPLATTE SICHERHEITSPATTE
					▪ Up to MAR 5 S.N. 1178 MAR 10 S.N. 2092 MAR 20 S.N. 2078 MAR 30 S.N. 1030	▪ Fino al MAR 5 N.S. 1178 MAR 10 N.S. 2092 MAR 20 N.S. 2078 MAR 30 N.S. 1030	▪ Jusqu'à MAR 5 N.S. 1178 MAR 10 N.S. 2092 MAR 20 N.S. 2078 MAR 30 N.S. 1030	▪ Bis MAR 5 S.N. 1178 MAR 10 S.N. 2092 MAR 20 S.N. 2078 MAR 30 S.N. 1030

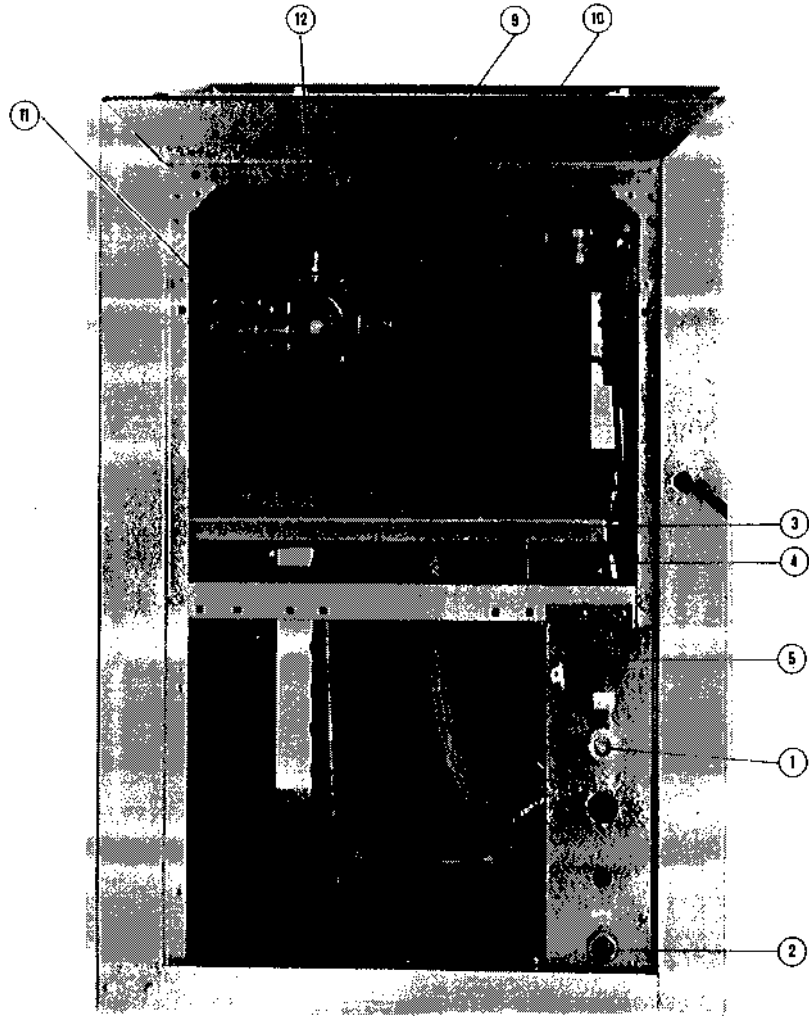


MAR 5

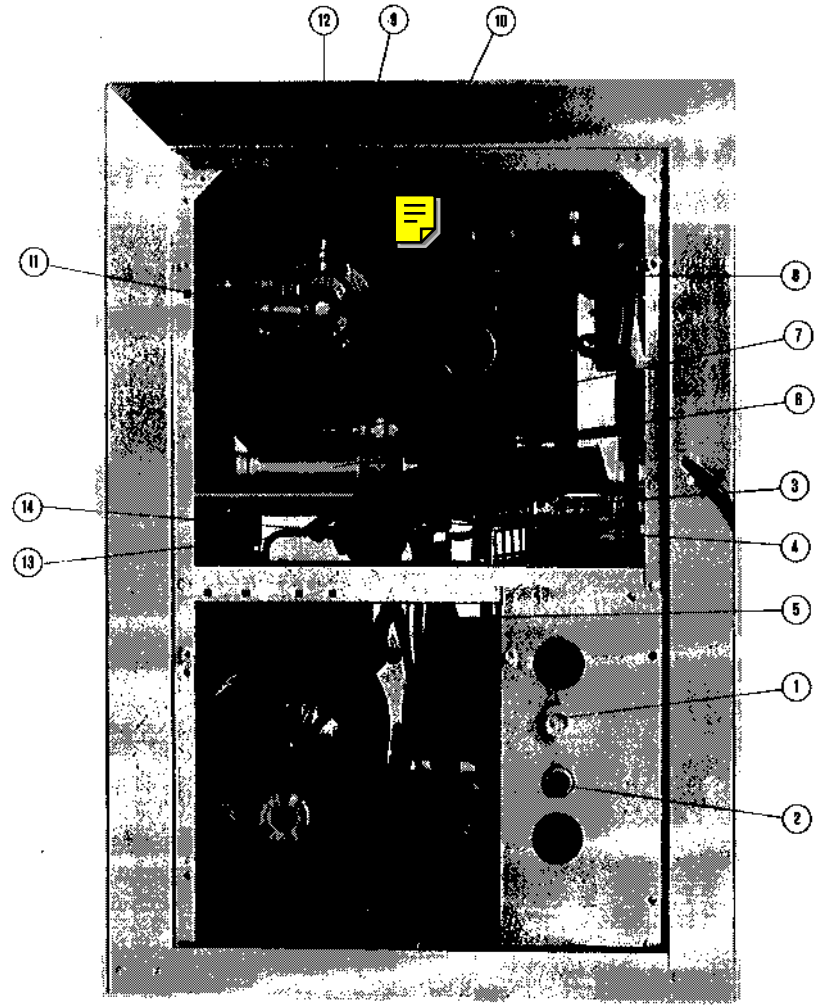
MAR 10-20-30

MAR 5-10-20-30 - DRIVE SIDE VIEW - VISTA LATO MOTORIDUTTORE - VUE COTÉ MOTOREDUCTEUR - GETRIEBEMOTORSEITENSICHT

ITEM NO	PART NO				DESCRIPTION	DESCRIZIONE	DÉSIGNATION	BESCHREIBUNG
	MAR 5	MAR 10	MAR 20	MAR 30				
1	620349.00 [■] 620400.00	620365.00	620373.00	—	AIR COOLED COND.	COND. AD ARIA	CONDENSEUR A AIR	LUFTGEKÜHLT KONDENS.
2	—	704249.01	724282.00	—	SHROUD	CONVOGLIATORE	CONVOYEUR	KONDENSATORGEHAUSE
3	794219.02 620273.02 620274.01	—	794219.04 620273.00 620274.03	—	FAN MOTOR ASSY FAN MOTOR FAN BLADE	ASS. MOTOVENTILATORE MOTORE VENTILATORE VENTOLA	ENSEMBLE VENTILATEUR MOTEUR VENTILATEUR HELICE	LUFTER MOTOR MOTOR FLÜGEL
4	620338.01 430004.00 420000.13 441001.05 400044.02 440015.05	—	620338.03 — — — — —	—	FAN GUARD NUT SCREW WASHER NUT WASHER	GRIGLIA PROTEZIONE DADO VITE RONDELLA DADO RONDELLA	GRILLE DE PROTECTION ECROU VIS RONDELLE ECROU RONDELLE	SCHUTZKORB. MUTTER SCHRAUBE SCHEIBE MUTTER SCHEIBE
5	670024.03 704135.03	704135.00	670024.04 704135.03	670024.05	DRIER BRACE COLLAR	FILTRO DEUMIDIFICATORE FASCETTA	DESHYDRATEUR COLLIER	TROCKNER HALTER DUR TROCKNER
6	—	620372.00	620372.01	—	SERVICE VALVE	VALVOLA DI SERVIZIO	VANNE	VENTIL
7	620377.00 [■] 620377.02 741092.02 420002.14 441001.05 430001.05	—	620377.01 [■] 620377.03 740192.03 420002.17 440015.07 430001.07	—	GEAR REDUCER GEAR REDUCER KEY SCREW WASHER NUT	RIDUTTORE RIDUTTORE CHIAVELLA VITE RONDELLA DADO	BOITE REDUCTEUR BOITE REDUCTEUR CLAVETTE VIS RONDELLE ECROU	GETRIEBE GETRIEBE SCHLUSSE SCHRAUBE SCHEIBE MUTTER
8	734597.04 [■] 734597.12 734597.27	—	734597.09 [■] 734597.04 734597.25	—	REDUCER PULLEY - SECT. A REDUCER PULLEY - SECT. A REDUCER PULLEY - SECT. Z	PULEGGIA RIDUTTORE - SEZ. A PULEGGIA RIDUTTORE - SEZ. A PULEGGIA RIDUTTORE - SEZ. Z	POULIE REDUCTEUR - SECT. A POULIE REDUCTEUR - SECT. A POULIE REDUCTEUR - SECT. Z	GETRIEBRIEMEN - SECT. A GETRIEBRIEMEN - SECT. A GETRIEBRIEMEN - SECT. Z
9	650422.02 [■] 650422.04 650422.14	650422.03 [■]	650422.04 [■] 650422.05 650422.15	650422.05 [■]	V BELT - SECT. A V BELT - SECT. A V BELT - SECT. Z	CINGHIA TRAPEZIOIDALE - SEZ. A CINGHIA TRAPEZIOIDALE - SEZ. A CINGHIA TRAPEZIOIDALE - SEZ. Z	COURROIE - SECT. A COURROIE - SECT. A COURROIE - SECT. Z	KIELRIEMEN - SECT. A KIELRIEMEN - SECT. A KIELRIEMEN - SECT. Z
10	734597.02 [■] 734597.17 734597.28 420000.08	734597.03 [■] 734597.07 734597.31	734597.05 [■] * 734597.06 [■] * 734597.18 734597.19 [■] * 734597.07 [■] * 734597.39 [■] * 734597.31 [■] * 420002.15	734597.07 [■] * 734597.03 [■] * 734597.19 [■] * 734597.07 [■] * 734597.39 [■] * 734597.31 [■] * 420002.15	MOTOR PULLEY - SECT. A MOTOR PULLEY - SECT. A MOTOR PULLEY - SECT. A MOTOR PULLEY - SECT. A MOTOR PULLEY - SECT. Z MOTOR PULLEY - SECT. Z SCREW	PULEGGIA MOTORE - SEZ. A PULEGGIA MOTORE - SEZ. A PULEGGIA MOTORE - SEZ. A PULEGGIA MOTORE - SEZ. A PULEGGIA MOTORE - SEZ. A PULEGGIA MOTORE - SEZ. Z PULEGGIA MOTORE - SEZ. Z VITE	POULIE MOTEUR - SECT. A POULIE MOTEUR - SECT. A POULIE MOTEUR - SECT. A POULIE MOTEUR - SECT. A POULIE MOTEUR - SECT. Z POULIE MOTEUR - SECT. Z VIS	MOTORRIEMEN - SECT. A MOTORRIEMEN - SECT. A MOTORRIEMEN - SECT. A MOTORRIEMEN - SECT. A MOTORRIEMEN - SECT. Z MOTORRIEMEN - SECT. Z SCHRAUBE
11	—	620316.02 420000.11 440002.03 440015.05 441001.05	—	—	DRIVE MOTOR SCREW WASHER WASHER WASHER	MOTORE AZIONAMENTO VITE RONDELLA RONDELLA RONDELLA	MOTEUR D'ENTREINEMENT VIS RONDELLE RONDELLE RONDELLE	ANTRIEBSMOTOR SCHRAUBE SCHEIBE SCHEIBE SCHEIBE
					* AIR COOLED VERSION • WATER COOLED VERSION ■ Up to MAR 5 S.N. 1178 MAR 10 S.N. 2092 MAR 20 S.N. 2078 MAR 30 S.N. 1030	* VERSIONE RAFFR. AD ARIA • VERSIONE RAFFR. AD ACQUA ■ Fino al MAR 5 N.S. 1178 MAR 10 N.S. 2092 MAR 20 N.S. 2078 MAR 30 N.S. 1030	* REFRROIDISSEMENT PAR AIR • REFRROIDISSEMENT PAR EAU ■ Jusqu'à MAR 5 N.S. 1178 MAR 10 N.S. 2092 MAR 20 N.S. 2078 MAR 30 N.S. 1030	* LUFTGEKÜHLT MACH. • WASSERGEKÜHLT. MACH. ■ Bis MAR 5 S.N. 1178 MAR 10 S.N. 2092 MAR 20 S.N. 2078 MAR 30 S.N. 1030



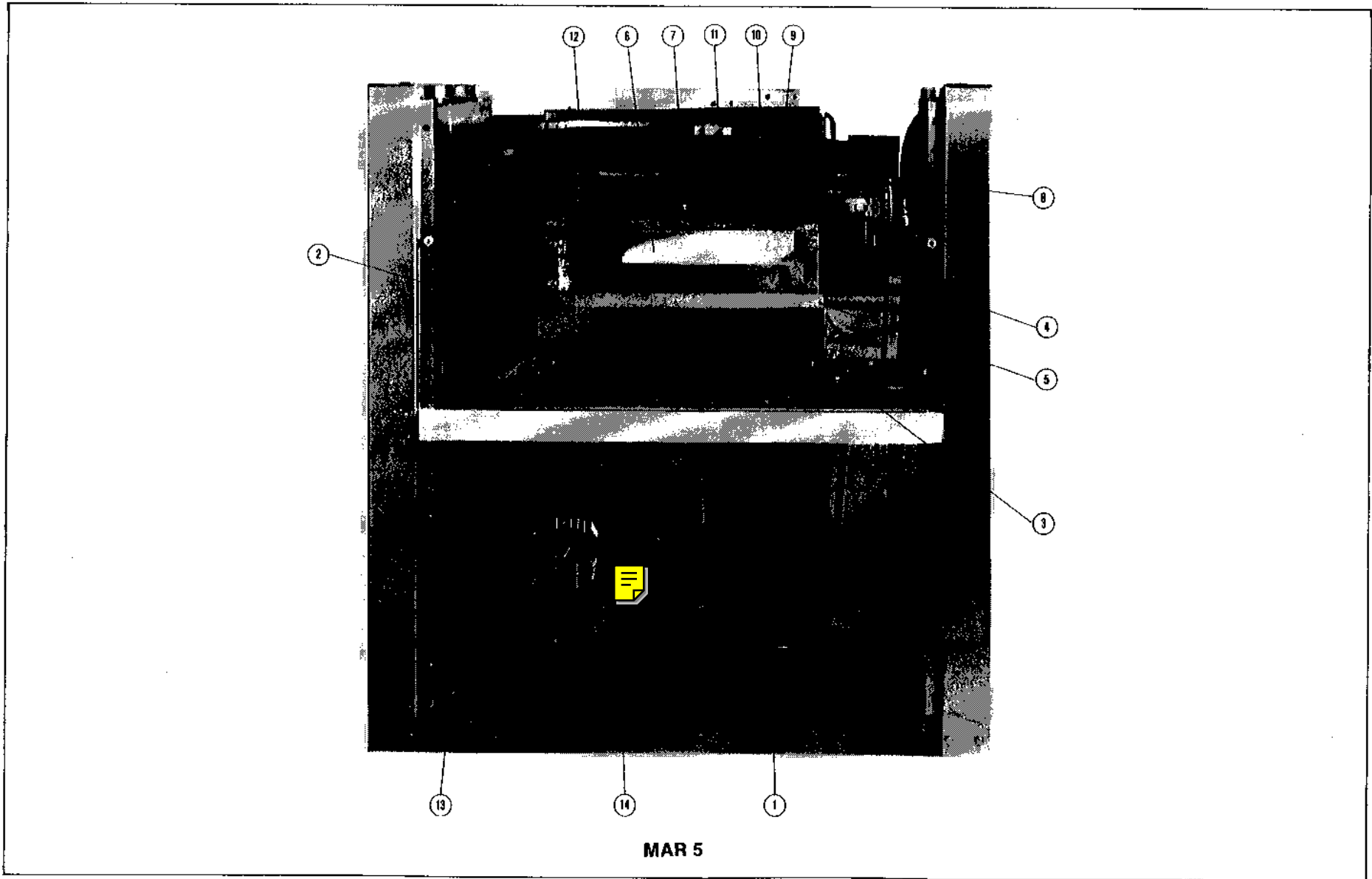
MAR 5



MAR 10-20-30

MAR 5-10-20-30 - LEFT SIDE VIEW - VISTA LAT. SINISTRA - VUE COTÉ GAUCHE - LINKENANSICHT

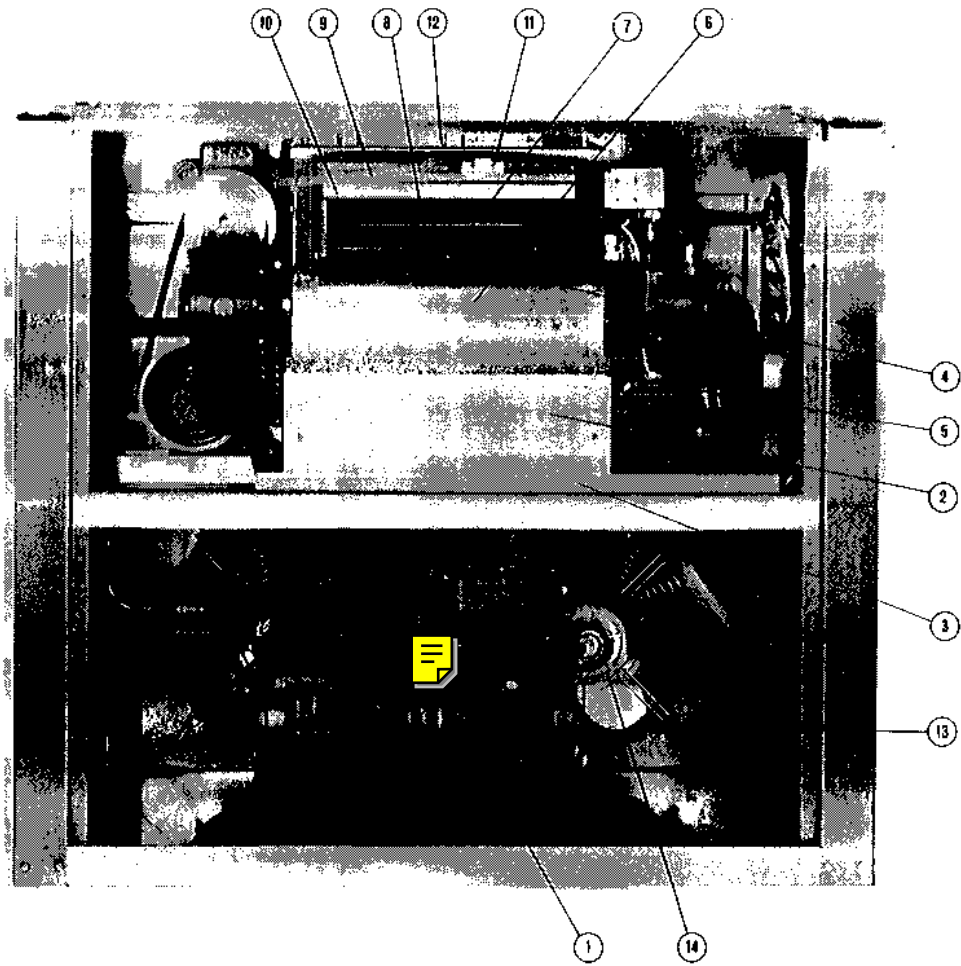
ITEM NO	PART NO				DESCRIPTION	DESCRIZIONE	DÉSIGNATION	BESCHREIBUNG
	MAR 5	MAR 10	MAR 20	MAR 30				
1	733205.00 400031.00 400030.00 650104.00				WATER INLET FITTING GASKET NUT STRAINER	RACC. ENTRATA ACQUA GUARNIZIONE DADO FILTRO	RACCORD ARRIVÉE JOINT DE SERRAGE ECROU FILTRE	WASSEREINLAUF MUTTER FILTER
2	660224.00 400071.00 400070.00				WATER OUTLET FITTING GASKET NUT	RACC. SCARICO ACQUA GUARNIZIONE DADO	RACCORDO EVAC. D'EAU JOINT ECROU	WASSERABFLUSS DICHTUNG MUTTER
3	781365.00 [■] 781365.04	781365.01 [■] 781365.05	781365.03 781365.06		WATER TRAY WATER TRAY	BACINELLA BACINELLA	GOUELLE D'EAU GOUELLE D'EAU	TROPFPFANNE TROPFPFANNE
4	660219.01 660211.01 640134.00				WATER DRAIN FITTING MALE FITTING O RING	RACC. SCARICO BACINELLA RACC. MASCHIO ANELLO OR	RACC. EVAC. D'EAU RACC. MALE JOINT TORIQUE	TROPFPFANNE WASSERABFLUSS ZAPFEN SIMMERING
5	610148.12				DRAIN TUBE	TUBO SCARICO	TUYAU D'EVACUATION	WASSERABFLUSSROHR
6	—	620317.00	620317.01	620317.02	HEAT EXCHANGER	SCAMBIATORE DI CALORE	EXCHANGEUR DE CHALEUR	WARMETAUSCHER
7	—	620324.03			LIQUID SIGHT GLASS	SPIA LIQUIDO	HUBLLOT	SCHAUGLASS
8	— 620326.11 001010.01	620326.05 [■] 620326.05	620326.07 [■] 620326.09	620326.06 [■] 620326.08	EXPANSION VALVE EXPANSION VALVE EXPANSION VALVE NOZZLE	VALVOLA D'ESPANSIONE VALVOLA D'ESPANSIONE UGELLO VALV. ESPANSIONE	DETENDEUR DETENDEUR GICLÉUR VANNE EXPANSION	EXPANSION VENTIL EXPANSION VENTIL EXP. VENTILSDUESE
9	743127.01 440015.05 430001.02				REFRIGERANT MANIFOLD WASHER NUT	COLLETTORE REFRIGERANTE RONDELLA DADO	COLLECTEUR REFRIGERANT RONDELLE ECROU	EINSAMMLER SCHEIBE MUTTER
10	733208.00 400085.00				REF. LINE FITTING FLARE NUT	RACC. ACCOPP. TUBO REFRIG. DADO SVASATO	ACCOUPL. TUYAU REFRIG. ECROU	KALTEMITTEL ROHR VERBINDUNG MUTTER
11	650521.00 640076.09				MANIFOLD FITTING GASKET	RACCORDO COLLETTORE GUARNIZIONE	RACCORD COLLECTEUR JOINT	EINSAMMLER ANSCHLUSS DICHTUNG
12	650109.00 650109.00 650539.00				VALVE BODY CAP REFRIG. FITTING	CORPO VALVOLA CAPPELLOTTO RACCORDO REFRIGERANTE	CORP DE VANNE CLAPET RACCORD REFRIGERANT	VENTIL BODEN STOPFEN KALTEMITTEL FULLUNG ANSCHLUSS
13	—	650313.04 [■]	650313.01		VIBRATION ABSORBER - DISC.	TUBO ANTIVIBRANTE - MAND.	AMMORTISSEUR VIBRATIONS - H.P.	VIBRATIONSABSORBER - HOCHDRUCK
14	—	650313.01 [■]	650313.02	650313.05	VIBRATION ABSORBER - SUCT.	TUBO ANTIVIBRANTE - ASP.	AMMORTISSEUR VIBRATIONS - B.P.	VIBRATIONSABSORBER - SAUGDRUCK
					■ Up to MAR 5 S.N. 1178 MAR 10 S.N. 2092 MAR 20 S.N. 2078 MAR 30 S.N. 1030	■ Fino al MAR 5 N.S. 1178 MAR 10 N.S. 2092 MAR 20 N.S. 2078 MAR 30 N.S. 1030	■ Jusqu'à MAR 5 N.S. 1178 MAR 10 N.S. 2092 MAR 20 N.S. 2078 MAR 30 N.S. 1030	■ Bis MAR 5 S.N. 1178 MAR 10 S.N. 2092 MAR 20 S.N. 2078 MAR 30 S.N. 1030



MAR 5

MAR 5-10-20-30 - REAR SIDE VIEW - VISTA LATO POST. - VUE COTÉ ARRIERE - RUECHENANSICHT

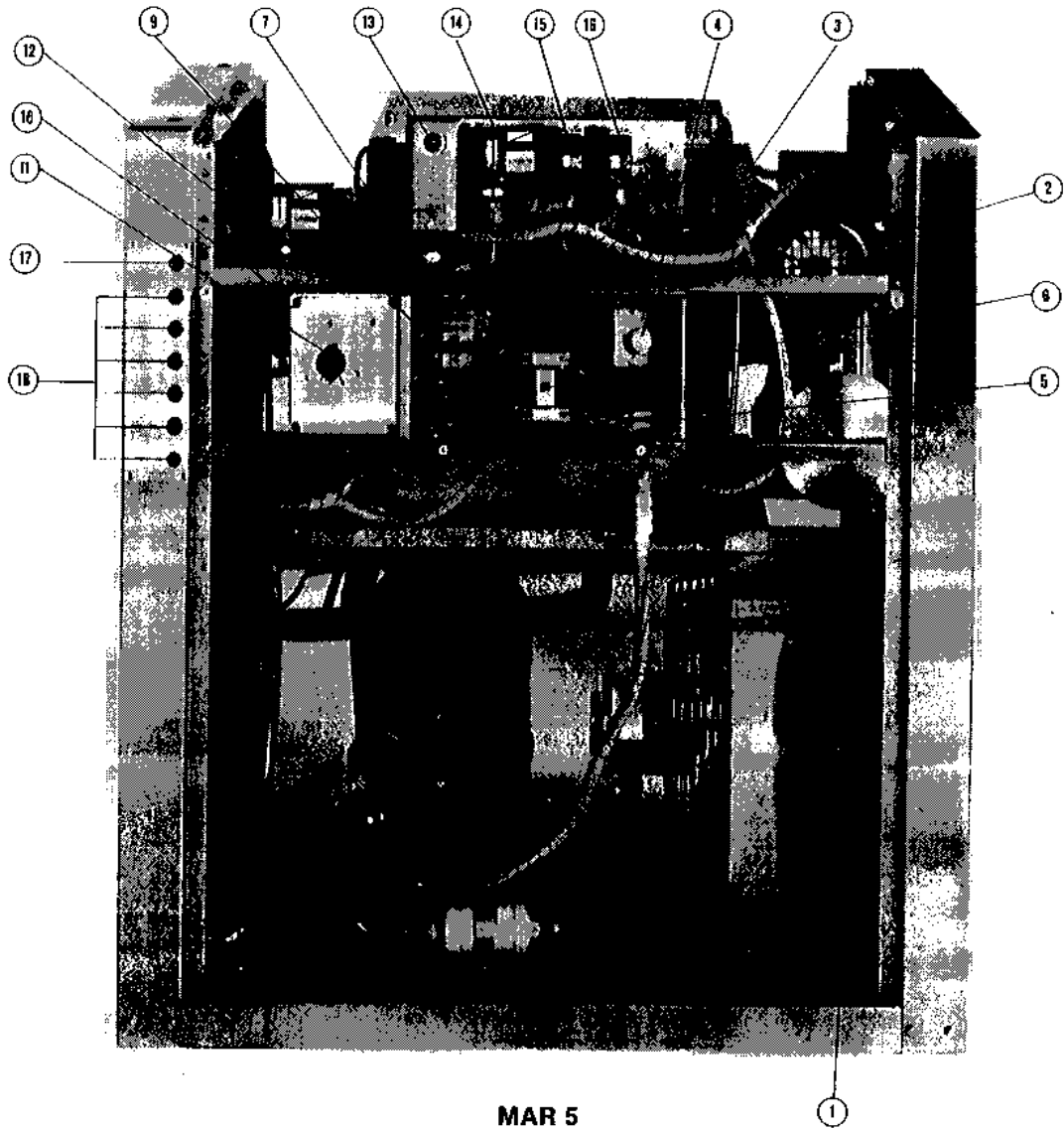
ITEM NO	PART NO				DESCRIPTION	DESCRIZIONE	DÉSIGNATION	BESCHREIBUNG
	MAR 5	MAR 10	MAR 20	MAR 30				
1	670088.01* 670088.03 620305.00	670090.01* 670096.02 001026.00 630112.01* 440015.04 430001.06	670091.01 — 001026.00 630112.01	670091.02 — 001026.01 630112.01	COMPRESSOR COMPRESSOR VALVE PLATE CPL CRANKCASE HEATER WASHER NUT	COMPRESSORE COMPRESSOR PIASTRA VALVOLE CPL RESIST. COPPA RONDELLA DADO	COMPRESSEUR COMPRESSEUR PLAQUES A CLAPETS CPL RECHAUFFEUR CARTER RONDELLE ECROU	KOMPRESSOR KOMPRESSOR KOMPLETTE VENTILPLATTE KURBEL WANNENHEIZUN SCHEIBE MUTTE
2	723134.03		723134.02		FRONT COVER PLATE	CARTER FRONTALE	CARTER DE COUVERTURE	VORDERANPLATTE
3	781365.00* 781365.04	781365.01* 781365.05	781365.03* 781365.06		WATER TRAY WATER TRAY	BACINELLA BACINELLA	GOUELLE D'EAU GOUELLE D'EAU	TROPFPFANNE TROPFPFANNE
4	723123.05 420002.15		723123.04		SCRAPING BLADE BLADE MOUNTING SCREW	ASS. LAMA VITE DI FISSAGGIO	ENSEMBLE COUTEAU VIS DE FIXATION	EISRADIERUNGKLINGE SCHRAUBE
5	721341.02 420034.00 430001.02 441001.05		721341.03		PLATE BLADE SETTING STUD NUT WASHER	PIASTRINA PRIGIONIERI REGOL. LAMA DADO RONDELLA	PLAQUETTE VIS DE REGLAGE COUTEAU ECROU RONDELLE	PLATTE KLINGEN REGUL. SCHRAUBE MUTTER SCHEIBE
6	741101.03		741101.04		CHUTE	SCIVOLO	GLISSIERE	EISRUTSCHEN
7	660091.00* 650595.00				BUTTON FOR CHUTE BUTTON FOR CHUTE	BOTTONE PER SCIVOLO BOTTONE PER SCIVOLO	BOUTTON FIX. GLISSIERE BOUTTON FIX. GLISSIERE	RUTSCHENKNOPFCHEN RUTSCHENKNOPFCHEN
8	724278.00		724278.01		DEFLECTOR	DEFLETTORE	DEFLECTEUR	EISDEFLEKTOR
9	724292.00		724275.00		SPOUT SWITCH BRACKET	SUPPORTO MICROINTERRUTTORE	SUPPORT MICRO GOULOTTE	MICRO SCHALTER ANLAGE
10	724276.01 724277.01 650161.00		724276.00		SPOUT SWITCH PRESS. PLATE PRESS. PLATE ROD SPRING	PIASTRINA PRESS. MICRO ASTINA PIASTRINA PRESSIONE MOLLA	PLAQUETTE DE PRESS. MICRO TIGE DE PLAQUETTE RESSORT	DRUCKPLATTE DRUCK PLATTE ACHSE FEDER
11	620366.00 420008.04 430001.04 441001.06				MICRO-SWITCH SCREW NUT WASHER	MICROINTERRUTTORE VITE DADO RONDELLA	MICROINTERRUPTEUR VIS ECROU RONDELLE	MICROSCHALTER SCHRAUBE MUTTER SCHEIBE
12	724291.00* 724291.01		724279.00* 724279.01		EVAP. COVER EVAP. COVER	COPERCHIO EVAPORATORE COPERCHIO EVAPORATORE	COUVERCLE EVAPORATEUR COUVERCLE EVAPORATEUR	VERDAMPFERGEHAUSE DECKEL VERDAMPFERGEHAUSE DECKEL
13	620349.00* 620400.00	620365.00 420000.12 723037.00 400044.02	620373.00 — — — —	— — — — —	AIR COOLED COND. AIR COOLED COND. SCREW WASHER NUT	CONDENSATORE AD ARIA CONDENSATORE AD ARIA VITE RONDELLA DADO	CONDENSEUR A AIR CONDENSEUR A AIR VIS RONDELLE ECROU	LUFTGEKÜHLT KONDENSATOR LUFTGEKÜHLT KONDENSATOR SCHRAUBE SCHEIBE MUTTER
14	794219.02 620273.02 620274.01 620338.01 430004.00 420000.12 441001.05 400044.02	794219.04 620273.00 620274.03 620338.03 — — — — —	— — — — — — — — —	— — — — — — — — —	FAN MOTOR ASSY MOTOR FAN BLADE FAN GUARD NUT SCREW WASHER NUT	ASS. VENTILATORE MOTORE VENTOLA GRIGLIA DI PROTEZIONE DADO VITE RONDELLA DADO	ENS. VENTILATEUR MOTEUR HELICE GRILLE DE PROTECTION ECROU VIS RONDELLE ECROU	LUFTER MOTOR MOTOR FLÜGEL SCHUTTKORB MUTTER SCHRAUBE SCHEIBE MUTTER
*	— — —		794221.03 620300.00 620000.01		AUX. FAN MOTOR ASSY FAN MOTOR FAN BLADE	ASS. MOTOVENTILATORE AUS. MOTORE VENTILATORE VENTOLA	ENS. MOTOVENTILATEUR AUX. MOTEUR HELICE	LUFTERMOTOREINHEIT MOTOR FLÜGEL
					▪ Up to MAR 5 S.N. 1178 MAR 10 S.N. 2092 MAR 20 S.N. 2078 MAR 30 S.N. 1030	▪ Fino al MAR 5 N.S. 1178 MAR 10 N.S. 2092 MAR 20 N.S. 2078 MAR 30 N.S. 1030	▪ Jusqu'à MAR 5 N.S. 1178 MAR 10 N.S. 2092 MAR 20 N.S. 2078 MAR 30 N.S. 1030	▪ Bis MAR 5 S.N. 1178 MAR 10 S.N. 2092 MAR 20 S.N. 2078 MAR 30 S.N. 1030



MAR 10-20-30

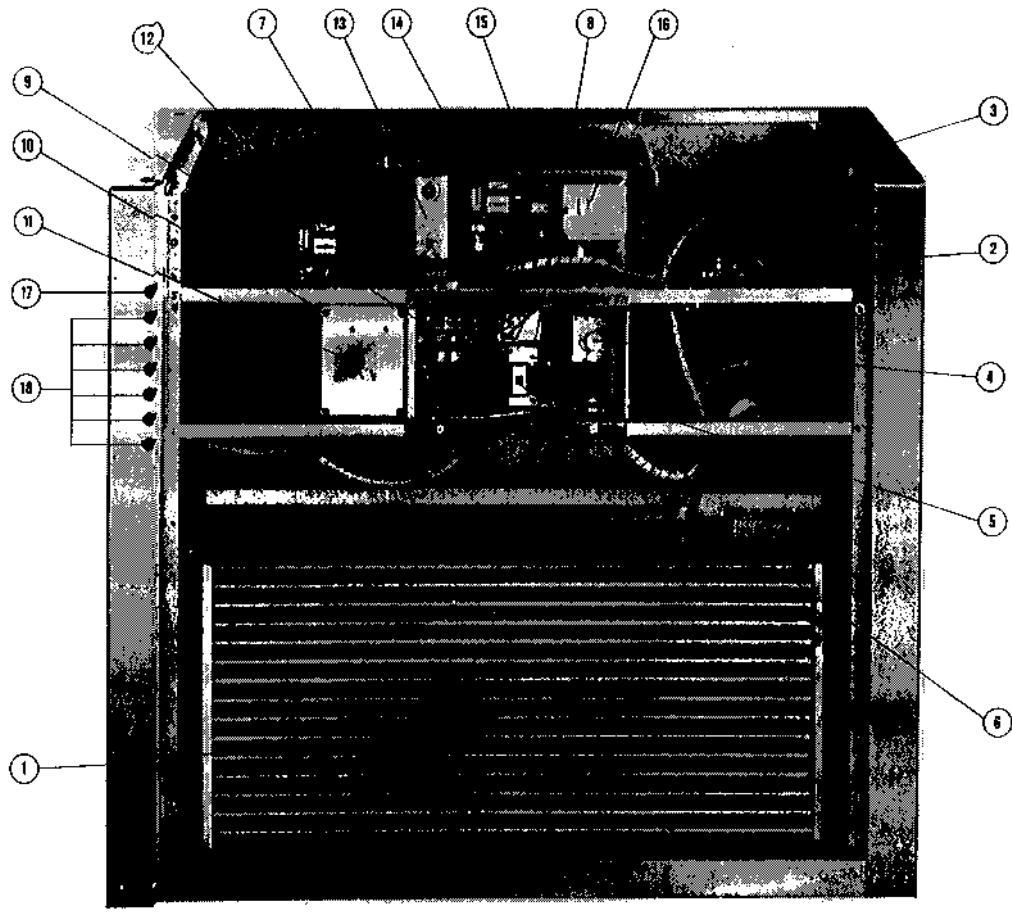
MAR 5-10-20-30 - REAR SIDE VIEW - VISTA LATO POST. - VUE COTÉ ARRIERE - RUECHENANSICHT

ITEM NO	PART NO				DESCRIPTION	DESCRIZIONE	DÉSIGNATION	BESCHREIBUNG
	MAR 5	MAR 10	MAR 20	MAR 30				
1	670088.01 670088.03 — 620305.00	670090.01 670096.02 001026.00 630112.01 440015.04 430001.06	670091.01 — 001026.00 630112.01	670091.02 — 001026.01 630112.01	COMPRESSOR COMPRESSOR VALVE PLATE CPL CRANKCASE HEATER WASHER NUT	COMPRESSORE COMPRESSORE PIASTRA VALVOLE CPL RESIST. COPPA RONDELLA DADO	COMPRESSEUR COMPRESSEUR PLAQUES A CLAPETS CPL RECHAUFFEUR CARTER RONDELLE ECROU	KOMPRESSOR KOMPRESSOR KOMPLETTE VENTILPLATTE KURBEL WANNENHEIZUN SCHEIBE MUTTE
2	723134.03		723134.02		FRONT COVER PLATE	CARTER FRONTALE	CARTER DE COUVERTURE	VORDERANPLATTE
3	781365.00 781365.04	781365.01 781365.05	781365.03 781365.06		WATER TRAY WATER TRAY	BACINELLA BACINELLA	GOUPELLE D'EAU GOUPELLE D'EAU	TROPFPFANNE TROPFPFANNE
4	723123.05		723123.04		SCRAPING BLADE BLADE MOUNTING SCREW	ASS. LAMA VITE DI FISSAGGIO	ENSEMBLE COUTEAU VIS DE FIXATION	EISRADIERUNGKLINGE SCHRAUBE
5	721341.02		721341.03		PLATE BLADE SETTING STUD NUT WASHER	PIASTRINA PRIGIONIERI REGOL. LAMA DADO RONDELLA	PLAQUETTE VIS DE REGLAGE COUTEAU ECROU RONDELLE	PLATTE KLINGEN REGUL. SCHRAUBE MUTTER SCHEIBE
6	741101.03		741101.04		CHUTE	SCIVOLO	GLISSIERE	EISRUTSCHEN
7	660091.00 650595.00				BUTTON FOR CHUTE BUTTON FOR CHUTE	BOTTONE PER SCIVOLO BOTTONE PER SCIVOLO	BOUTTON FIX. GLISSIERE BOUTTON FIX. GLISSIERE	RUTSCHENKNOPFCHEN RUTSCHENKNOPFCHEN
8	724278.00		724278.01		DEFLECTOR	DEFLETTORE	DEFLECTEUR	EISDEFLEKTOR
9	724292.00		724275.00		SPOUT SWITCH BRACKET	SUPPORTO MICROINTERRUTTORE	SUPPORT MICRO GOULOTTE	MICRO SCHALTER ANLAGE
10	724276.01		724276.00		SPOUT SWITCH PRESS. PLATE PRESS. PLATE ROD SPRING	PIASTRINA PRESS. MICRO ASTINA PIASTRINA PRESSIONE MOLLA	PLAQUETTE DE PRESS. MICRO TIGE DE PLAQUETTE RESSORT	DRUCKPLATTE TRUCK PLATTE ACHSE FEDER
11	620366.00 420008.04 430001.04 441001.06				MICRO-SWITCH SCREW NUT WASHER	MICROINTERRUTTORE VITE DADO RONDELLA	MICROINTERRUPTEUR VIS ECROU RONDELLE	MICROSCHALTER SCHRAUBE MUTTER SCHEIBE
12	724291.00 724291.01		724279.00 724279.01		EVAP. COVER EVAP. COVER	COPERCHIO EVAPORATORE COPERCHIO EVAPORATORE	COUVERCLE EVAPORATEUR COUVERCLE EVAPORATEUR	VERDAMPFERGEHAUSE DECKEL VERDAMPFERGEHAUSE DECKEL
13	620349.00 620400.00	620365.00 420000.12 723037.00 400044.02	620373.00	— — — —	AIR COOLED COND. AIR COOLED COND. SCREW WASHER NUT	CONDENSATORE AD ARIA CONDENSATORE AD ARIA VITE RONDELLA DADO	CONDENSEUR A AIR CONDENSEUR A AIR VIS RONDELLE ECROU	LUFTGEKÜHLT KONDENSATOR LUFTGEKÜHLT KONDENSATOR SCHRAUBE SCHEIBE MUTTER
14	794219.02 620273.02 620274.01 620338.01 430004.00 420000.12 441001.05 400044.02	794219.04 620273.00 620274.03 620338.03	— — — — — — — —	— — — — — — — —	FAN MOTOR ASSY MOTOR FAN BLADE FAN GUARD NUT SCREW WASHER NUT	ASS. VENTILATORE MOTORE VENTOLA GRIGLIA DI PROTEZIONE DADO VITE RONDELLA DADO	ENS. VENTILATEUR MOTEUR HELICE GRILLE DE PROTECTION ECROU VIS RONDELLE ECROU	LUFTER MOTOR MOTOR FLÜGEL SCHUTTKORB MUTTER SCHRAUBE SCHEIBE MUTTER
*	— —		794221.03 620300.00 620000.01		AUX. FAN MOTOR ASSY FAN MOTOR FAN BLADE	ASS. MOTOVENTILATORE AUS. MOTORE VENTILATORE VENTOLA	ENS. MOTOVENTILATEUR AUX. MOTEUR HELICE	LUFTERMOTOREINHEIT MOTOR FLUGEL
					Up to MAR 5 S.N. 1178 MAR 10 S.N. 2092 MAR 20 S.N. 2078 MAR 30 S.N. 1030	Fino al MAR 5 N.S. 1178 MAR 10 N.S. 2092 MAR 20 N.S. 2078 MAR 30 N.S. 1030	Jusqu'à MAR 5 N.S. 1178 MAR 10 N.S. 2092 MAR 20 N.S. 2078 MAR 30 N.S. 1030	Bis MAR 5 S.N. 1178 MAR 10 S.N. 2092 MAR 20 S.N. 2078 MAR 30 S.N. 1030



MAR 5-10-20-30 - FRONT VIEW - VISTA FRONTALE - VUE FRONTALE - VORDERANSICHT

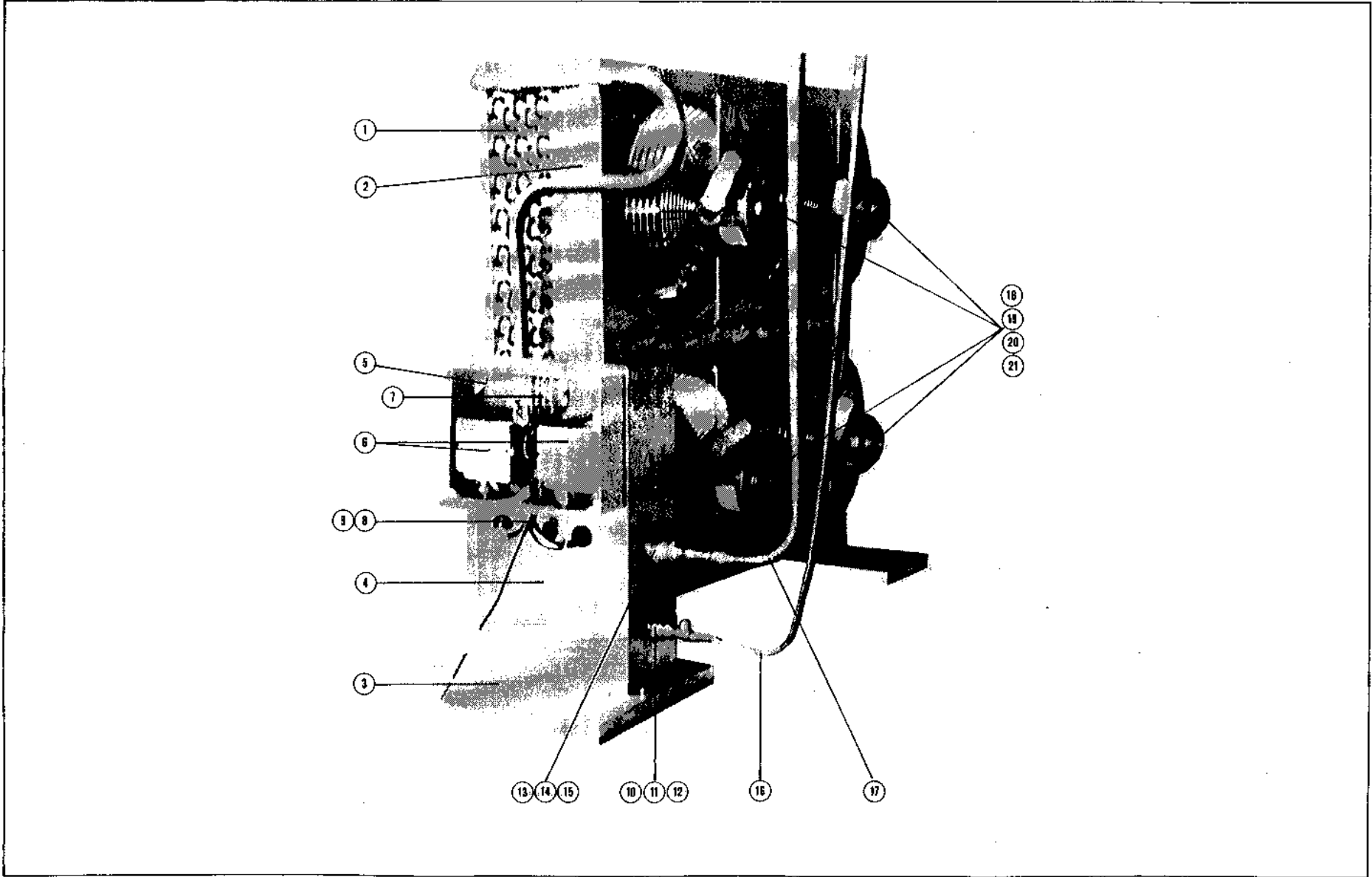
ITEM NO	PART NO				DESCRIPTION	DESCRIZIONE	DÉSIGNATION	BESCHREIBUNG
	MAR 5	MAR 10	MAR 20	MAR 30				
1	620349.00 620400.00	620365.00 — 704249.10 420000.12 400044.02	620373.00 — 724282.00	— — — — —	AIR COOLED CONDENSER AIR COOLED CONDENSER SHROUD SCREW NUT	CONDENSATORE AD ARIA CONDENSATORE AD ARIA CONVOGLIATORE VITE DADO	CONDENSEUR A AIR CONDENSEUR A AIR CONVOYEUR VIS ECROU	LUFTGEKUHLTCONDENSATOR LUFTGEKUHLTCONDENSATOR KONDENSATOR GEHAUSE SCHRAUBE MUTTER
2	620316.02				DRIVE MOTOR	MOTORE AZIONAMENTO	MOTEUR D'ENTREINEMENT	ANTRIEBSMOTOR
3	784350.00	420002.15 721341.01 420000.08 723037.00 440015.00	784350.01	—	MOTOR BRACKET SLEIGHT SCREW PLATE SCREW WASHER LOCK WASHER	SLITTA PORTA MOTORE VITE PIASTRINA VITE ROSETTA ROSETTA ELASTICA	COLISSEU PORTE MOTEUR VIS PLAQUETTE VIS RONDELLE RONDELLE	ANTRIEBSMOTOR ANLAGE SCHLITTEN SCHRAUBE PLATTE SCHRAUBE SCHEIBE SCHEIBE
4	620371.00				TIME DELAY	RITARDATORE	TEMPORISATEUR	SICHERUNGZEITUHT
5	620033.01				SWITCH	INTERRUTTORE	INTERRUPTEUR	SCHALTER
6	630124.05	630124.12			CONTACTOR	TELERUTTORE	CONTACTEUR	MAGNETSCHALTER
7	620114.03				TERMINAL BLOCK	MORSETTIERA	BORNIER	ANSCHLUSSKASTEN
8	—	620333.01 [■]	620333.01	620333.00	COMP. PROT. DEVICE - DORIN	PROTETT. COMPR. - DORIN	PROTECT COMPR. - DORIN	KOMPRESSORSCHUTZVORR. - DORIN
9	725012.00				ELEC. BOX COVER	COPERCHIO SCAT. ELETTRICA	COUVERCLE BOITE ELECTRIQUE	ANSCHLUSSKASTENDECKEL
10	620328.01 745004.03				TIMER TIMER BOX	TIMER SCAT. TIMER	PENDULE BOITE PENDULE	ZEITHUR ZEIT. GEHAUSE
11	620334.00				TIMER KNOB	VOLANTINO TIMER	BOUTON DE PENDULE	ZEITHUR KNOPF
12	620241.00				WATER PRESS. SWITCH	PRESSOSTATO ACQUA	PRESSOSTAT D'EAU	WASSERDRUCKSDCHALTER
13	620323.00				BIN THERMOSTAT	TERMOSTATO CELLA	THERMOSTAT CABINE	BEHALTER THERMOSTAT
14	620241.00				LO-PRESSURE SWITCH	PRESSOSTAT BASSA	PRESSOSTAT B.P.	NEDERDRUCKSCHALTER
15	620231.01				HI-PRESSURE SWITCH	PRESSOSTATO ALTA	PRESSOSTAT H.P.	HOCHDRUCKSCHALTER
16	620075.00 [■] 620322.01	620322.01			FAN CONTROL	CONTROLLO VENTILATORE	PRESS. CONT. VENTILATEUR	LUFTERREGLER
17	630091.12				GREEN WARNING LIGHT	LAMP. SPIA VERDE	VOYANT LUMINEU VERT	GRUNSIGNALLAMPE
18	630091.11				RED WARNING LIGHT	LAMP. SPIA ROSSA	VOYANT LUMINEU ROUGE	ROTSIGNALLAMPE
					[■] Up to MAR 5 S.N. 1178 MAR 10 S.N. 2092 MAR 20 S.N. 2078 MAR 30 S.N. 1030	[■] Fino al MAR 5 N.S. 1178 MAR 10 N.S. 2092 MAR 20 N.S. 2078 MAR 30 N.S. 1030	[■] Jusqu'à MAR 5 N.S. 1178 MAR 10 N.S. 2092 MAR 20 N.S. 2078 MAR 30 N.S. 1030	[■] Bis MAR 5 S.N. 1178 MAR 10 S.N. 2092 MAR 20 S.N. 2078 MAR 30 S.N. 1030



MAR 10-20-30

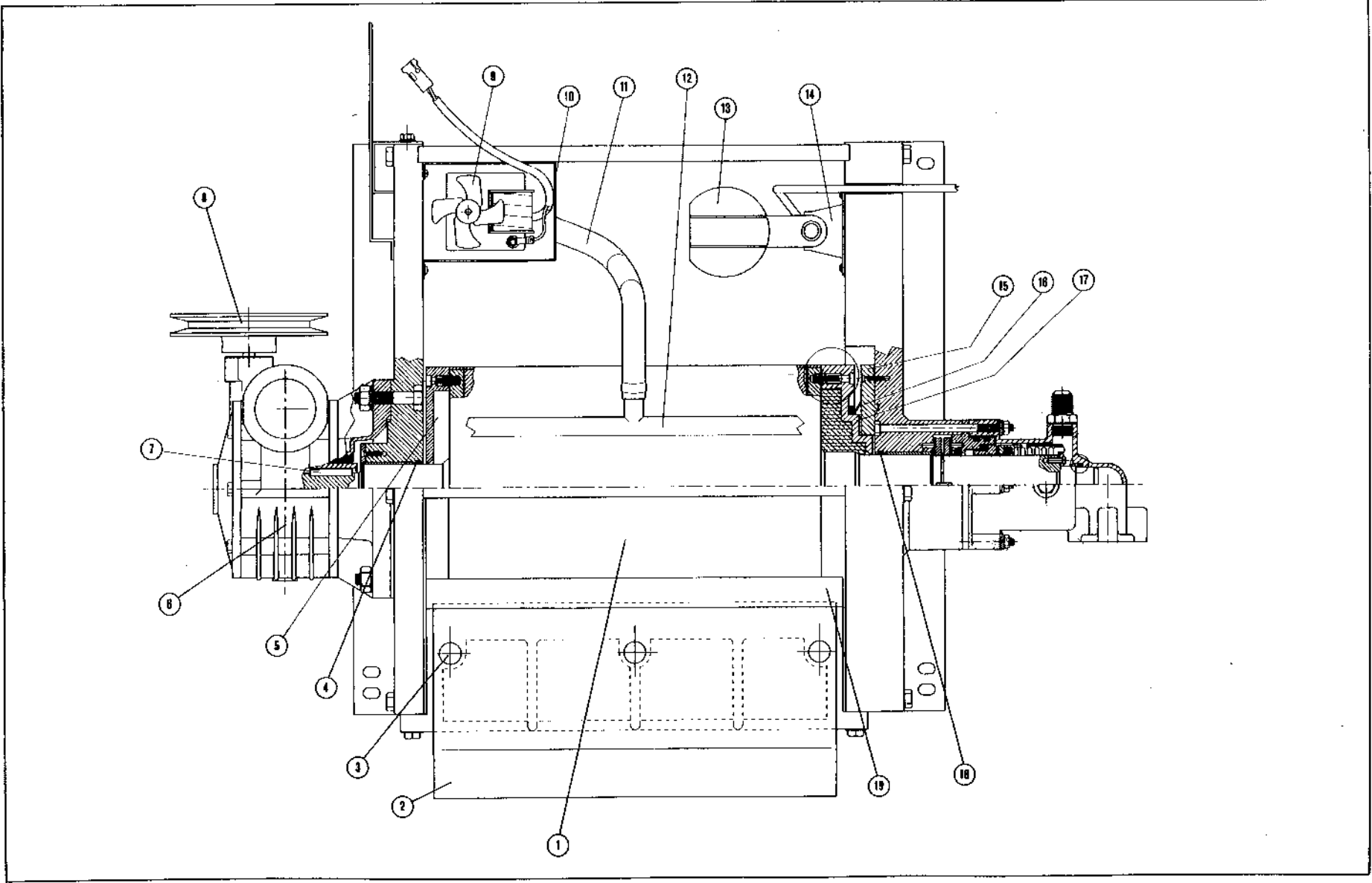
MAR 5-10-20-30 - FRONT VIEW - VISTA FRONTALE - VUE FRONTALE - VORDERANSICHT

ITEM NO	PART NO				DESCRIPTION	DESCRIZIONE	DÉSIGNATION	BESCHREIBUNG
	MAR 5	MAR 10	MAR 20	MAR 30				
1	620349.00 620400.00	620365.00 704249.10 420000.12 400044.02	620373.00 — 724282.00	— — — —	AIR COOLED CONDENSER AIR COOLED CONDENSER SHROUD SCREW NUT	CONDENSATORE AD ARIA CONDENSATORE AD ARIA CONVOGLIATORE VITE DADO	CONDENSEUR A AIR CONDENSEUR A AIR CONVOYEUR VIS ECROU	LUFTGEKUHLTCONDENSATOR LUFTGEKUHLTCONDENSATOR KONDENSATOR GEHAUSE SCHRAUBE MUTTER
2	620316.02				DRIVE MOTOR	MOTORE AZIONAMENTO	MOTEUR D'ENTREINEMENT	ANTRIEBSMOTOR
3	784350.00	420002.15 721341.01 420000.08 723037.00 440015.00	784350.01	—	MOTOR BRACKET SLEIGHT SCREW PLATE SCREW WASHER LOCK WASHER	SLITTA PORTA MOTORE VITE PIASTRINA VITE ROSETTA ROSETTA ELASTICA	COLISSEU PORTE MOTEUR VIS PLAQUETTE VIS RONDELLE RONDELLE	ANTRIEBSMOTOR ANLAGE SCHLITTEN SCHRAUBE PLATTE SCHRAUBE SCHEIBE SCHEIBE
4	620371.00				TIME DELAY	RITARDATORE	TEMPORISATEUR	SICHERUNGZEITUHT
5	620033.01				SWITCH	INTERRUTTORE	INTERRUPTEUR	SCHALTER
6	630124.05	630124.12			CONTACTOR	TELERUTTORE	CONTACTEUR	MAGNETSCHALTER
7	620114.03				TERMINAL BLOCK	MORSETTIERA	BORNIER	ANSCHLUSSKASTEN
8	—	620333.01	620333.01	620333.00	COMP. PROT. DEVICE - DORIN	PROTETT. COMPR. - DORIN	PROTECT COMPR. - DORIN	KOMPRESSORSCHUTZVORR. - DORIN
9	725012.00				ELEC. BOX COVER	COPERCHIO SCAT. ELETTRICA	COUVERCLE BOITE ELECTRIQUE	ANSCHLUSSKASTENDECKEL
10	620328.01 745004.03				TIMER TIMER BOX	TIMER SCAT. TIMER	PENDULE BOITE PENDULE	ZEITHUR ZEIT. GEHAUSE
11	620334.00				TIMER KNOB	VOLANTINO TIMER	BOUTON DE PENDULE	ZEITHUR KNOFF
12	620241.00				WATER PRESS. SWITCH	PRESSOSTATO ACQUA	PRESSOSTAT D'EAU	WASSERDRUCKSDCHALTER
13	620323.00				BIN THERMOSTAT	TERMOSTATO CELLA	THERMOSTAT CABINE	BEHALTER THERMOSTAT
14	620241.00				LO-PRESSURE SWITCH	PRESSOSTAT BASSA	PRESSOSTAT B.P.	NEDERDRUCKSCHALTER
15	620231.01				HI-PRESSURE SWITCH	PRESSOSTATO ALTA	PRESSOSTAT H.P.	HOCHDRUCKSCHALTER
16	620075.00 620322.01	620322.01			FAN CONTROL	CONTROLLO VENTILATORE	PRESS. CONT. VENTILATEUR	LUFTERREGLER
17	630091.12				GREEN WARNING LIGHT	LAMP. SPIA VERDE	VOYANT LUMINEU VERT	GRUNSIGNALLAMPE
18	630091.11				RED WARNING LIGHT	LAMP. SPIA ROSSA	VOYANT LUMINEU ROUGE	ROTSIGNALLAMPE
					▪ Up to MAR 5 S.N. 1178 MAR 10 S.N. 2092 MAR 20 S.N. 2078 MAR 30 S.N. 1030	▪ Fino al MAR 5 N.S. 1178 MAR 10 N.S. 2092 MAR 20 N.S. 2078 MAR 30 N.S. 1030	▪ Jusqu'à MAR 5 N.S. 1178 MAR 10 N.S. 2092 MAR 20 N.S. 2078 MAR 30 N.S. 1030	▪ Bis MAR 5 S.N. 1178 MAR 10 S.N. 2092 MAR 20 S.N. 2078 MAR 30 S.N. 1030



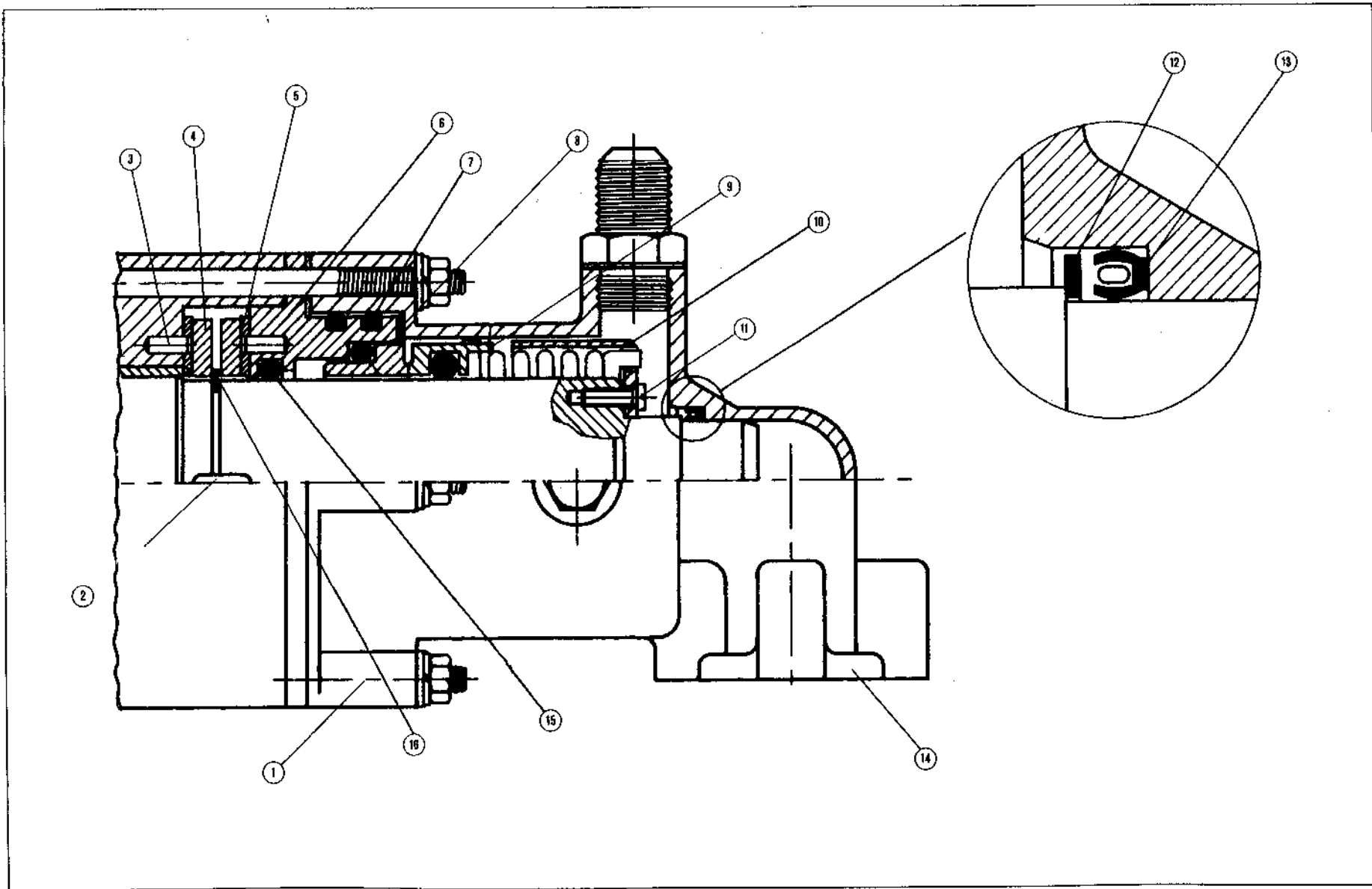
MAR 30 - AIR COOLED-REMOTE CONDENSER - RAFFR. AD ARIA-CONDENS. REMOTO - REFROIDI PAR AIR-CONDENSEUR A DISTANCE - LUFTGEKUEHLT-REMOTE KONDENSATOR

ITEM NO.	PART NO	DESCRIPTION	DESCRIZIONE	DÉSIGNATION	BESCHREIBUNG
1	620381.00	CONDENSER	CONDENSATORE	CONDENSEUR	KONDENSATOR
2	724283.00	SHROUD	CONVOGLIATORE	CONVOYEUR	KONDENS. GEHAUSE
3	724284.00	SUPPORT PLATE	PIASTRA DI SUPPORTO	PLAQUE DE SUPPORT	HALTER PLATTER
4	724285.00	REFRIG. COUPLING PLATE	PIASTRA ATTACCHI REFRIG.	PLAQUE ACCOUP. TUY. REFRIGERANT	ROHRLEITUNGKUPPLUNGSSCHILD
5	745005.01	ELECTRIC BOX	SCATOLA ELETTRICA	BOITIER ELECTRIQUE	ANSCHLUSSKASTEN GEHAUSE
6	620322.01	PRESS. CONTROL (FAN CONTROL)	PRESSOSTATO (CONTR. VENTILATORE)	PRESSOSTAT (CONTROLE VENTILAT.)	DRUCKSCHALTER (LUFTER KONTROL)
7	630114.01	TERMINAL BLOCK	MORSETTIERA	BORNIER	ANSCHLUSSKASTEN
8	650066.02	BELLOW CABLE TIE	PRESSACAVO	AGRAFE DE FIL	KABELKLAMME
9	630090.00	CABEL TIE	PRESSACAVO	AGRAFE DE FIL	KABELKLAMME
10	650438.00	QUICK CONNECT. COUPLING-MALE	GIUNTO RAPIDO MASCHIO	ACCOUPEMENT RAPIDE-MALE	ROHRLEITUNG KUPPLUNG - MANNER
11	650437.00	QUICK CONNECT. COUPLING-FEMALE	GIUNTO RAPIDO FEMMINA	ACCOUPEMENT RAPIDE-FEMELLE	ROHRKUPPLUNG - MUTTER
12	640039.00 650441.00	GASKET FLANGE	GUARNIZIONE FLANGIA	JOINT FLASQUE	DICHTUNG FLANSCH
13	650438.04	QUICK CONNECT-COUPLING-MALE	GIUNTO RAPIDO MASCHIO	ACCOUPL. RAPIDE MALE	ROHRLEITUNG KUPPLUNG - MANNER
14	650437.04	QUICK CONNECT. COUPLING-FEMALE	GIUNTO RAPIDO FEMMINA	ACCOUPEMENT RAPIDE-FEMELLE	ROHRKUPPLUNG - MUTTER
15	640039.01 650441.01	GASKET FLANGE	GUARNIZIONE FLANGIA	JOINT FLASQUE	DICHTUNG FLANSCH
16	784331.06	REFRIGERANT. LINE ASSY	ASS. TUBAZ. REFRIGERANTE	TUYAUTERIE REFRIGERANT	ROHRLEITUNG
17	784331.07	REFRIGERANT. LINE ASSY	ASS. TUBAZ. REFRIGERANTE	TUYAUTERIE REFRIGERANT	ROHRLEITUNG
18	420000.13 440015.05 441001.05 400044.00	SCREW FOR FAN MOTOR WASHER WASHER NUT	VITI FISS. MOTOVENTILATORE RONDELLA RONDELLA DADO	VIS FIXAT. MOTOVENTILATEUR RONDELLE RONDELLE ECROU	LUFTERMOTORSCHRAUBE SCHEIBE SCHEIBE MUTTER
19	794219.02 620273.02	FAN MOTOR ASSY FAN MOTOR	ASS. MOTOVENTILATORE MOTORE VENTILATORE	ENS. MOTOVENTILATEUR MOTEUR VENTILATEUR	LUFTERMOTOREINHEIT LUFTERMOTOR
20	620274.01	FAN BLADE	VENTOLA	HELICE	FLUEGEL
21	620338.01	FAN GUARD	GRIGLIA	GRILLE DE PROTECTION	SCHUTZKORB



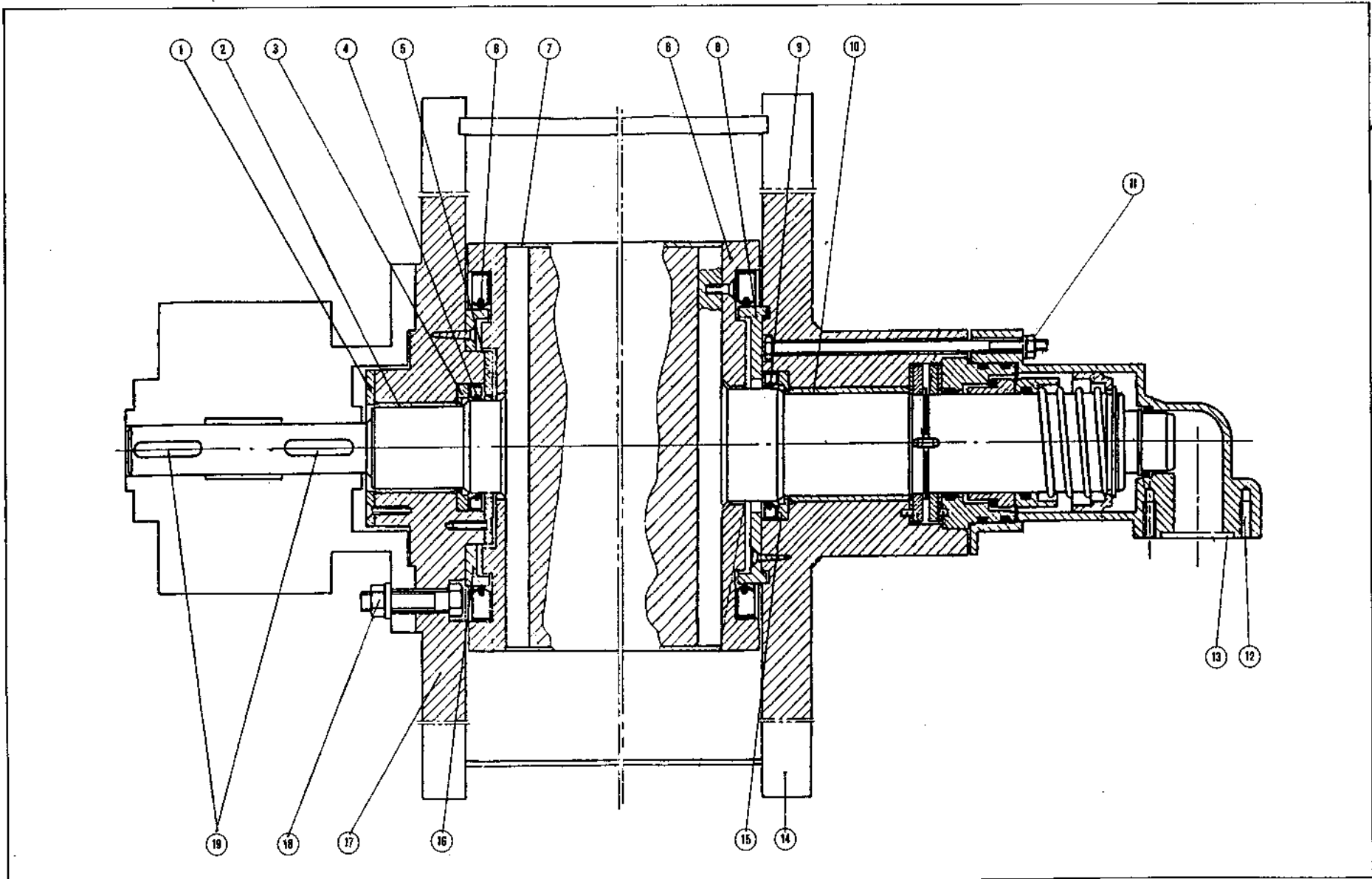
MAR 5-10-20-30 - EVAPORATOR N GEAR REDUCER ASSY - ASSIEME EVAPORATORE/RIDUTTORE - ENS. EVAPORATEUR ET REDUCTEUR - VERDAMPFER UND GETRIEBE EINHEIT

ITEM NO	PART NO				DESCRIPTION	DESCRIZIONE	DÉSIGNATION	BESCHREIBUNG
	MAR 5	MAR 10	MAR 20	MAR 30				
1	794271.00		794274.00		EVAP. N GEAR REDUCER ASSY	ASS. EVAP. E RIDUTTORE	ENS. EVAP. ET REDUCTEUR	VERDAMPFER UND GETRIEBE EINHEIT
2	741101.03		741101.04		PLEXIGLASS CHUTE	SCIVOLO IN PLASTICA	GLISSIERE	EISRUTSCHEN
3	650595.00				PLASTIC BUTTON	BOTTONE IN PLASTICA	BOUTON FIX GLISSIERE	RUTSCHENKNOPFCHEN
4	640041.18				O RING	GUARNIZIONE OR	JOINT TORIQUE	O RING
5	742111.00		742111.01		SPACER RIGHT	DISTANZIERE DX	ENTRETOISE	ENTFERNSTUECK
6	620377.02		620377.03		GEAR REDUCER	RIDUTTORE	REDUCTEUR	GETRIEBE
7	741092.04		741092.03		FIBER KEY	CHIAVETTA IN FIBRA	CLAVETTE	ENTRIEBS KELL
8	734597.2/ 420025.02		734597.25 420025.02		PULLEY SCREW	PULEGGIA VITE/GRANO	POULIE VIS	RIEMEN SCHRAUBE
9	793113.25				WATER PUMP	ASS. POMPA	ENS. POMPE A EAU	WASSER PUMPEN
10	781392.00				PUMP GUARD	CARTER POMPA	SUPPORT DU POMPE	PUMPENTRÄGER
11	610169.05		610169.06		PLASTIC TUBE	TUBO	TUYAU	ROHR
12	784359.00		784359.01		WATER DISTRIB. TUBE	TUBO DI DISTRIBUZIONE	ROMPE A EAU	WASSERVERSORGUNGSROHR
13	783127.00		783161.00		FLOAT VALVE	ASS. GALLEGGIANTE	ENS. FLOTTEUR	SCHWIMMER
14	743128.02 460038.02 640100.00				FLOAT VALVE BRACKET METAL CLIP O RING	SUPPORTO GALLEGGIANTE MOLLETTA IN METALLO GUARNIZIONE OR	SUPPORT FLOTTEUR CLIP METALLIQUE JOINT TORIQUE	SCHWIMMERTRÄGER KLEMME O RING
15	742112.00		742112.01		FLANGE	FLANGIA	FLASQUE	FLANSCH
16	640107.00		640107.01		GASKET	GUARNIZIONE	JOINT	DICHTUNG
17	742110.00 650615.00		742110.01 650615.01		EVAP. SPACER EVAP. INSULATION	DISTANZIERE EVAP. ISOLAMENTO EVAP.	ENTRETOISE ISOLATION	ENTFERNSTUECK ISOLIERUNG (VERDAMPFER)
18	640041.19		640041.18		O RING	GUARNIZIONE OR	JOINT TORIQUE	O RING
19	723123.05		723123.04		SCRAPING BLADE	LAMA SCAGLIATRICE	ENS. COUTEAU	EISRADIERUNGKLINGE



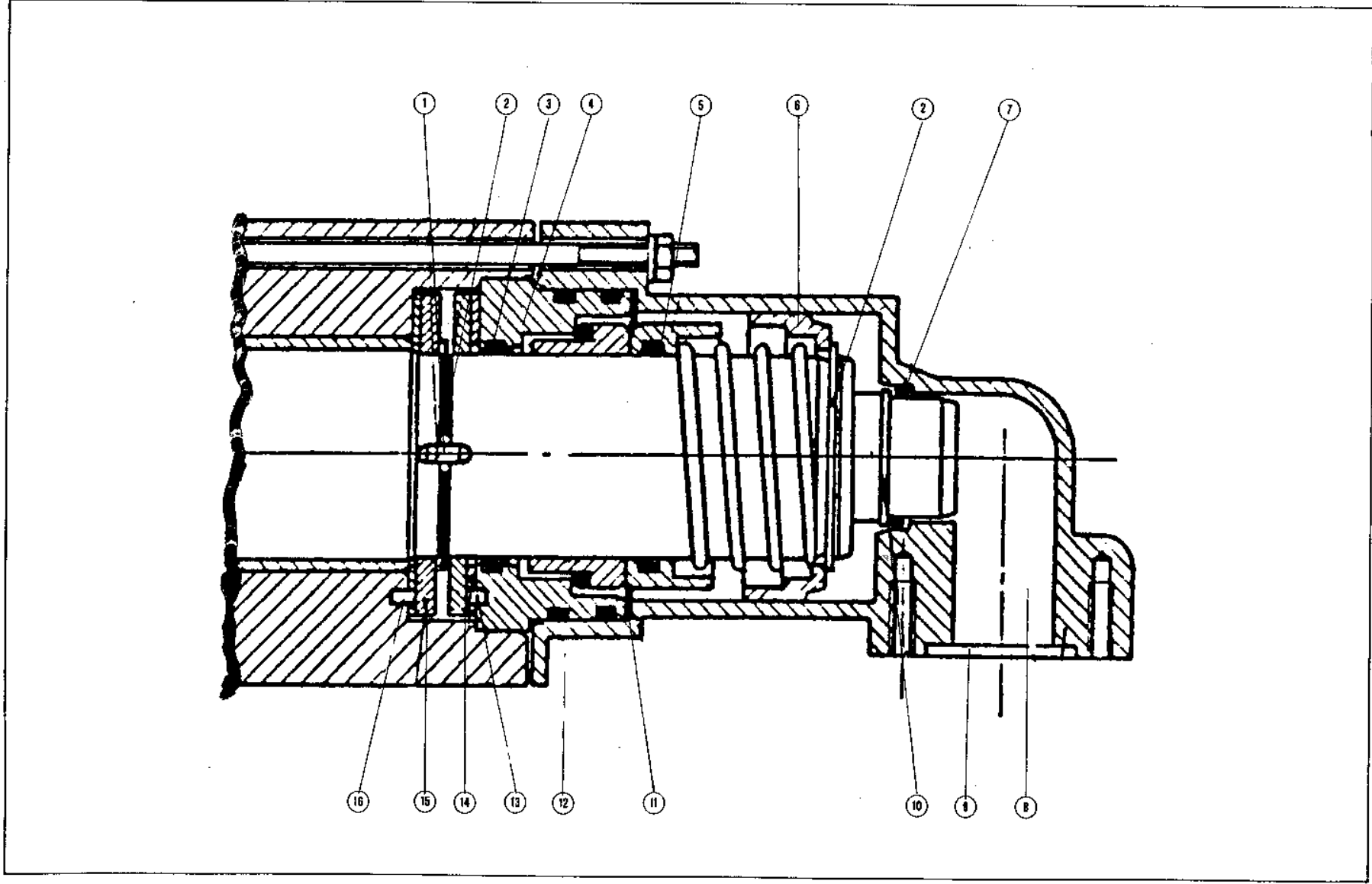
MAR 5-10-20-30 - SEAL MECHANISM ASSY - ASSIEME ANELLO DI TENUTA - ENSAMBLE D'ETANCHEITE - GEFRIERMITTEL DICHTUNG

ITEM NO	PART NO				DESCRIPTION	DESCRIZIONE	DÉSIGNATION	BESCHREIBUNG
	MAR 5	MAR 10	MAR 20	MAR 30				
1		743127.01			REFRIGERANT MANIFOLD	COLLETTORE REFRIGERANTE	COLLECTEUR REFRIGERANT	EINSAMMLER
2		724260.00			KEY	CHIAVETTA	CLAVETTE	ANTRIEBESCHLUESSE
3		723133.00			PARALLEL PIN	SPINA CILINDRICA	GOUPILLE CYLINDRIQUE	STIFT
4		724257.00			SPACER	DISTANZIERE	ENTRETOISE	ENTFERNSTUECK
5		651061.00			WASHER	RONDELLA DI BASAMENTO	RONDELLE	SCHEIBE
6		724307.00 460039.03			GRAPHITIC RING HOUSING PARALLEL PIN	ANELLO DI ALLOGGIAMENTO SPINA ELASTICA	ANNEAU LOGEMENT GOUPILLE CYLINDRIQUE	RUNG FUER GRAPHITIC DICHT. STIFT
7		640041.10			O RING	GUARNIZIONE OR	JOINT TORIQUE	O RING
8		640101.00			GASKET	GUARNIZIONE	JOINT	DICHTUNG
9		650525.01			SEAL MECHANISM	PREMISTOPPA	PRESSE ETOUPE	DICHTUNG
10		724308.00			SPACER RING	ANELLO DISTANZIERE	BAGUE ENTRETOISE	ENTFERNENSTUECK
11		420014.08			SCREW	VITE	VIS	SCHRAUBE
12		724256.01			WASHER	RONDELLA	RONDELLE	SCHEIBE
13		640096.00			GASKET	GUARNIZIONE	JOINT	DICHTUNG
14		640076.09			GASKET	GUARNIZIONE	JOINT	DICHTUNG
15		640041.13			O RING	GUARNIZIONE OR	JOINT TORIQUE	O RING
16		460000.02			CLIP RING	ANELLO SEEGER	CLIP	CIRCLIP RING
*		001028.05			SEAL MECHANISM KIT	KIT TENUTA MECCANICA	KIT GARNITURE D'ETANCHEITE	KIT GEFRIERMITTEL DICHTUNG



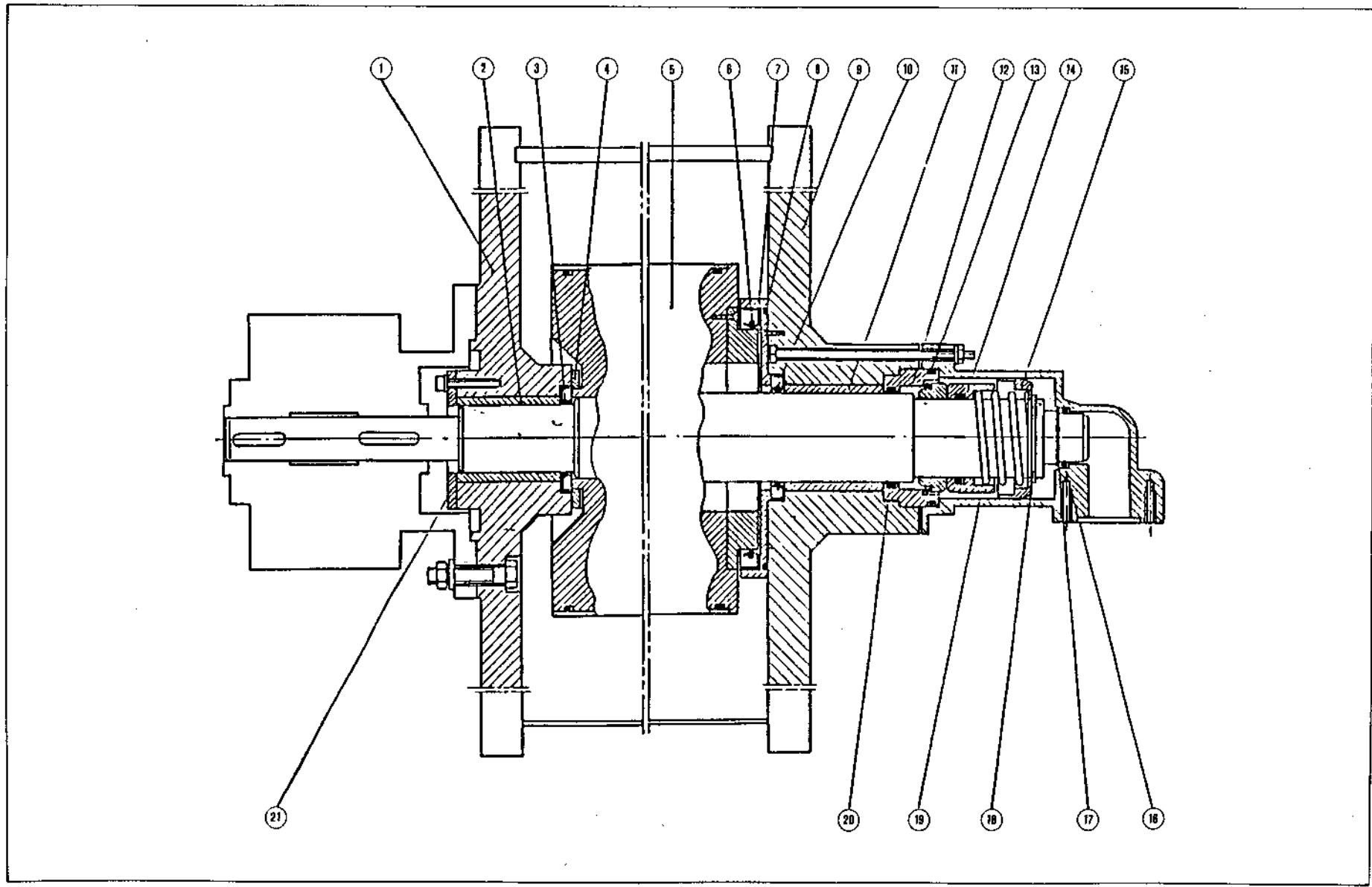
MAR 5*-10*-20*-30* - EVAPORATOR ASSY - ASSIEME EVAPORATORE - ENS. EVAPORATEUR - KOMPLET VERDAMPFER

ITEM NO	PART NO				DESCRIPTION	DESCRIZIONE	DESIGNATION	BESCHREIBUNG
	MAR 5*	MAR 10*	MAR 20*	MAR 30*				
1	724254.01		724254.02		FLANGE	FLANGIA	FLASQUE	FLANSCH
2	651060.00		651060.01		BUSHING	BRONZINA	BAGUE	SHAFT LAGER
3	724255.01		724255.00		SPACER	DISTANZIERE	ENTRETOISE	ENTFERNSTUECK
4	640097.03		640097.04		RING GASKET W/SPRING	GUARNIZIONE CON MOLLA	JOINT PAULSTRA	DICHTUNG RING & FEDER
5	724254.04		724254.03		FLANGE - GEAR SIDE	FLANGIA - LATO RIDUTTORE	FLASQUE - COTÉ REDUCTEUR	FLANSCH RECHTENSEITE
6	640097.05		640097.06		RING GASKET W/SPRING	GUARNIZIONE CON MOLLA	JOINT PAULSTRA	RING & FEDER
7	784353.00		784353.01		EVAPORATORE DRUM ASSY	ASSIEME TAMBURÒ EVAPORATORE	ENS. TAMBOUR EVAPORATEUR	KOMPLETT VERDAMPFER
8	724253.00		724266.00		FLANGE - REFRIG. SIDE	FLANGIA - LATO REFRIGERANTE	FLASQUE - COTÉ REFRIGER.	FLANSCH - LINKENSEITE
9		640097.04			RING GASKET W/SPRING	GUARNIZIONE CON MOLLA	JOINT PAULSTRA	RING & FEDER
10		651060.01			BUSHING	BRONZINA	BAGUE	SHAFT LAGER
11		430001.02 440015.05			NUT WASHER	DADO RONDELLA	ECROU RONDELLE	MUTTER SCHEIBE
12		420285.00 650521.00			ALLEN SCREW MANIFOLD FITTING	VITE TESTA INCASS. RACCORDO COLLETTORE	VIS ALLEN RACCORD COLLECTEUR	ALLEN SCHRAUBE EINSAMMLER ANSCHLUSS
13		640076.09			GASKET	GUARNIZIONE	JOINT	DICHTUNG
14	742097.00		742094.00		BASIN SIDE - REFRIGERANT SIDE	FIANCO VASCA - LATO REFRIGERANTE	COTÉ REFRIGERANT DE CUVE	LINKE WASSERBAD SEITE
15		724255.00			SPACER	DISTANZIERE	ENTRETOISE	ENTFERNSTUECK
16	724253.01		724266.01		FLANGE - GEAR SIDE	FLANGIA - LATO RIDUTTORE	FLASQUE - COTÉ REDUCTEUR	FLANSCH RECHTENSEITE
17	742098.00		742095.00		BASIN SIDE - GEAR SIDE	FIANCO VASCA - LATO RIDUTTORE	COTÉ REDUCTEUR DE CUVE	WASSERBAD RECHTENSEITE
18		430001.05 441001.04			NUT WASHER	DADO RONDELLA	ECROU RONDELLE	MUTTER SCHEIBE
19	741092.04		741092.03		FIBER KEY	CHIAVETTA	CLAVETTE	ENTRIEBS KEIL
					* MAR 5 from S.N. 1010 to S.N. 1178 MAR 10 from S.N. 2010 to S.N. 2092 MAR 20 up to S.N. 2078 MAR 30 up to S.N. 1030	* MAR 5 dal N.S. 1010 a N.S. 1178 MAR 10 dal N.S. 2010 a N.S. 2092 MAR 20 fino a N.S. 2078 MAR 30 fino a N.S. 1030	* MAR 5 de N.S. 1010 a N.S. 1178 MAR 10 de N.S. 2010 a N.S. 2092 MAR 20 a N.S. 2078 MAR 30 a N.S. 1030	* MAR 5 vom S.N. 1010 bis S.N. 1178 MAR 10 vom S.N. 2010 bis S.N. 2092 MAR 20 bis S.N. 2078 MAR 30 bis S.N. 1030



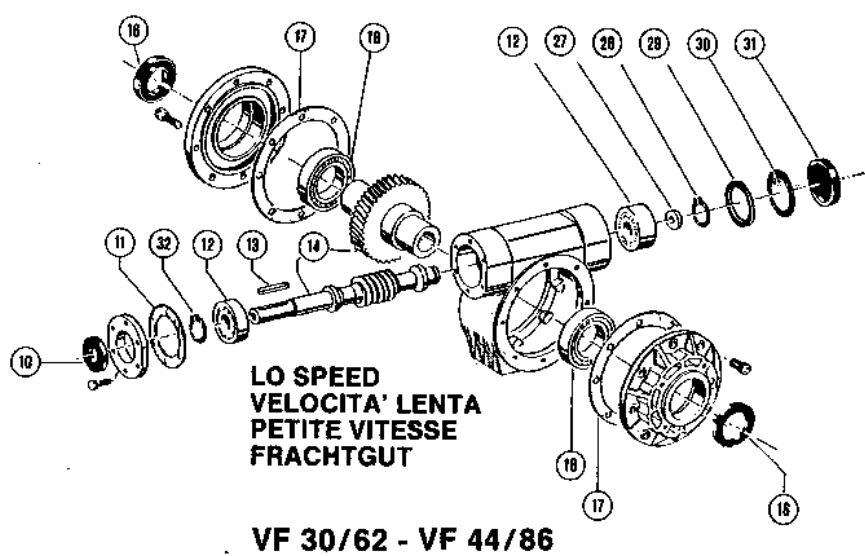
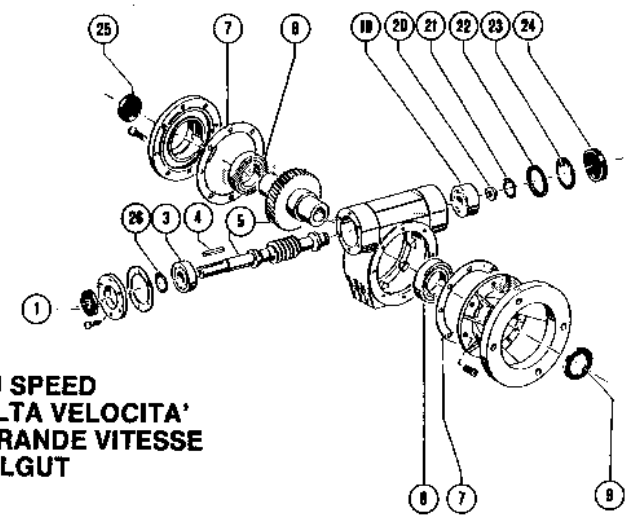
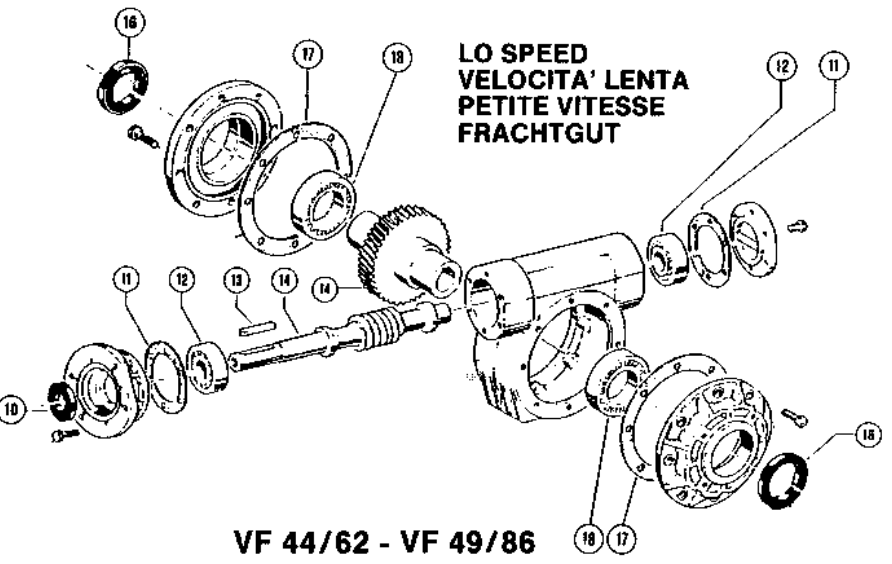
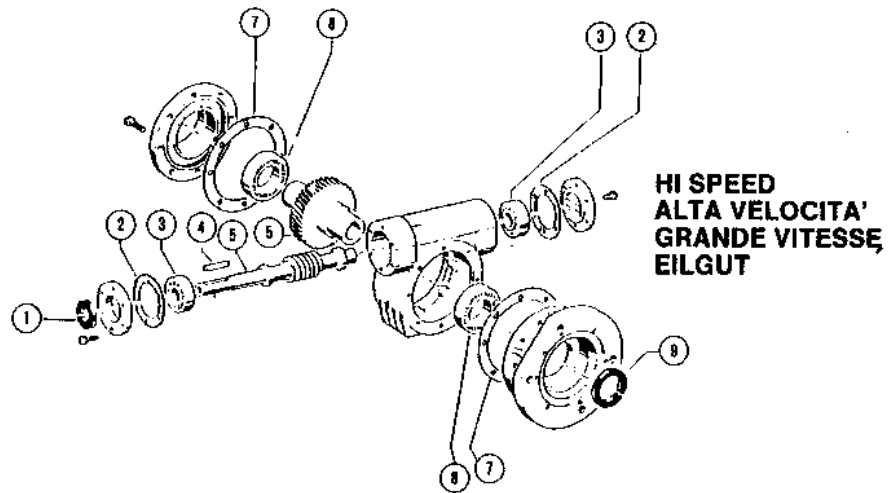
MAR 5*-10*-20*-30* - SEAL MECHANISM ASSY - ASSIEME ANELLO DI TENUTA - ENSEMBLE GARNITURE D'ETANCHEITE - GEFRIERMITTEL DICHTUNG

ITEM NO	PART NO				DESCRIPTION	DESCRIZIONE	DÉSIGNATION	BESCHREIBUNG
	MAR 5*	MAR 10*	MAR 20*	MAR 30*				
1		724260.00			KEY	CHIAVETTA	CLAVETTE	ANTRIEBESCHLUESSE
2		460000.02			CLIP RING	ANELLO SEEGER	CLIP	CIRCLIP RING
3		640041.13			O RING	GUARNIZIONE OR	JOINT TORIQUE	O RING
4		724261.00			RING HOUSING THE GRAPHITIC RIG	ANELLO ALLOGGIAMENTO GUARNIZIONE IN GRAFITE	ANNEAU LOGEMENT ANNEAU GRAPHITE	RUNG FUER GRAPHITIC DICHTUNG
5		650525.00			SEAL MECHANISM	PREMISTOPPA	PRESSE ETOUPE	DICHTUNG
6		723118.00			SPACER RING	DISTANZIERE	BAGUE ENTRETOISE	ENTFERNENSTUECK
7		640096.00			RING GASKET W/SPRING	GUARNIZIONE CON MOLLA	GARNITURE A LEVIE	DICHTUNGRING & FEDER
8		743127.01			REFRIGERANT MANIFOLD	COLLETTORE REFRIGERANTE	COLLECTEUR REFRIGERANT	EINSAMMLER
9		640076.09			GASKET	GUARNIZIONE	JOINT	DICHTUNG
10		724256.00			WASHER	RONDELLA	RONDELLE	SCHEIBE
11		640101.00			GASKET	GUARNIZIONE	JOINT	DICHTUNG
12		640041.10			O RING	GUARNIZIONE OR	JOINT TORIQUE	O RING
13		460039.03			SPRING PIN	SPINA ELASTICA	GOUPILLE ELASTIQUE	ELASTISCHERSTIFT
14		651061.00			WASHER	RALLA	RONDELLE	SCHEIBE
15		724257.00			SPACER	DISTANZIERE	ENTRETOISE	ENTFERNSTUECK
16		723133.00			PARALLEL PIN	SPINA CILINDRICA	GOUPILLE CYLINDRIQUE	STIFT
*		001028.03			KIT SEAL MECHANISM	KIT ANELLO DI TENUTA	KIT GARNITURE D'ETANCHEITE	KIT GEFRIERMITTEL DICHTUNG
					* MAR 5 from S.N. 1010 to S.N. 1178 MAR 10 from S.N. 2010 to S.N. 2092 MAR 20 up to S.N. 2078 MAR 30 up to S.N. 1030	* MAR 5 dal N.S. 1010 a N.S. 1178 MAR 10 dal N.S. 2010 a N.S. 2092 MAR 20 fino a N.S. 2078 MAR 30 fino a N.S. 1030	* MAR 5 de N.S. 1010 a N.S. 1178 MAR 10 de N.S. 2010 a N.S. 2092 MAR 20 a N.S. 2078 MAR 30 a N.S. 1030	* MAR 5 vom S.N. 1010 bis S.N. 1178 MAR 10 vom S.N. 2010 bis S.N. 2092 MAR 20 bis S.N. 2078 MAR 30 bis S.N. 1030



MAR 5*-10* - EVAPORATOR ASSY - ASSIEME EVAPORATORE - ENS. EVAPORATEUR - ENS. EVAPORATEUR - KOMPLET VERDAMPFER

ITEM NO.	PART NO		DESCRIPTION	DESCRIZIONE	DESIGNATION	BESCHREIBUNG
	MAR 5*	MAR 10*				
1	PA 3016.00		BASIN SIDE - GEAR SIDE	FIANCO VASCA - LATO RIDUTT.	CÔTE REDUCTEUR DE CUVE	WASSERBAD- RECHTENSEITE
2	PA 7215.00		BUSHING	BRONZINA	BAGUE	SHAFT LAGER
3	640097.02		RING GASKET W/SPRING	GUARNIZIONE CON MOLLA	JOINT PAUSTRA	RING & FEDER
4	723115.00		SPACER	DISTANZIERE	ENTRETOISE	ENTFERNSTUECK
5	784289.04		EVAPORATOR DRUM ASSY	ASS. TAMBURO EVAPORATORE	ENS. TAMBOUR EVAPOR.	KOMPLET VERDAMPFER
6	640097.00		RING GASKET W/SPRING	GUARNIZIONE CON MOLLA	JOINT PAULSTRA	RING & FEDER
7	742088.00		SPACER	DISTANZIERE	ENTRETOISE	ENTFERNSTUECK
8	640041.12		O RING	GUARNIZIONE OR	JOINT TORIQUE	O RING
9	PA 3017.00		BASIN SIDE - REFR. SIDE	FIANCO VASCA - LATO REFRIG.	CÔTÉ REFRIG. DE CUVE	WASSERBAD - LINKENSEITE
10	640097.01		RING GASKET W/SPRING	GUARNIZIONE CON MOLLA	JOINT PAUSTRA	RING & FEDER
11	PA 7215.01		BUSHING	BRONZINA	BAGUE	SHAFT LAGER
12	723117.00		GRAPHITIC RING HOUSING	ALLOGGIAMENTO ANELLO IN GRAFITE	LOGEMENT ANNEAU GRAPHITE	RING FUER GRAPHITIC DICHTUNG
13	640041.10		O RING	GUARNIZIONE OR	JOINT TORIQUE	O RING
14	650525.00		SEAL MECHANISM	PREMISTOPPA	PRESSE ETOUPE	DICHTUNG
15	723118.00		SPACER RING	DISTANZIERE	BAGUE ENTRETOISE	ENTFERNSTUECK
16	640096.00		RING GASKET W/SPRING	GUARNIZIONE CON MOLLA	GARNITURE A LEVIE	DICHTUNGRING & FEDER
17	PA 7212.01		WASHER	RONDELLA	RONDELLE	SCHEIBE
18	460000.02		CLIP RING	ANELLO SEEGER	CIRCLIP	CLIP RING
18	743127.00		REFRIGERANT MANIFOLD	COLLETTORE REFRIGERANTE	COLLECTEUR REFRIGERANT	EINSAMMLER
20	640041.09		O RING	GUARNIZIONE OR	JOINT TORIQUE	O RING
21	723116.00		FLANGE	FLANGIA	FLASQUE	FLANSCH
			* MAR 5 UP TO S.N. 1009 * MAR 10 FROM S.N. 2001 TO S.N. 2009	* MAR 5 FINO AL N.S. 1009 * MAR 10 DAL N.S. 2001 AL N.S. 2009	* MAR 5 JUSQU'A N.S. 1009 * MAR 10 A PARTIR DE N.S. 2001 A N.S. 2009	* MAR 5 BIS S.N. 1009 * MAR 10 VOM S.N. 2001 BIS S.N. 2009



MAR 5-10-20-30 - GEAR REDUCER - RIDUTTORE - RÉDUCTEUR - GETRIEBE

ITEM NO	PART NO				DESCRIPTION	DESCRIZIONE	DÉSIGNATION	BESCHREIBUNG
	MAR 5 - VF 44/62	MAR 10 VF 30/62	MAR 20 VF 49/86	MAR 30 VF 44/86				
1	001031.10	001035.10	001033.10	001031.21	OIL SEAL	PARAOLIO	JOINT D'ÉTANCHÉITÉ	SIMMERUNG
2	001031.07	—	001033.07	—	GASKET	GUARNIZIONE	JOINT	DICHTUNG
3	001031.08	001035.08	001033.08	001036.08	BEARING	CUSCINETTO	ROULEMENT	KUGELLAGER
4	001031.12	001035.12	001033.12	001031.12	KEY	CHIAVETTA	CLAVETTE	EINLEGEKEIT
5	001031.02	001035.02	001033.02	001031.23	WORMSHAFT & WHEEL	VITE SENZA FINE E INGRANAGGIO	VIS SANS FIN & ENGRANAGE	SCHNECKE U. ZAHNRAD
7	001031.11	001035.11	001033.11	001031.11	GASKET	GUARNIZIONE	JOINT	DICHTUNG
8	001031.06	001035.06	001033.06	001033.06	BEARING	CUSCINETTO	ROULEMENT	KUGELLAGER
9	001031.09	001035.09	001029.11	001031.09	OIL SEAL	PARAOLIO	JOINT D'ÉTANCHÉITÉ	SIMMERRING
10	001029.10	001029.21	001032.10	001032.10	OIL SEAL	PARAOLIO	JOINT D'ÉTANCHÉITÉ	SIMMEREING
11	001029.07	001029.07	001032.07	001032.07	GASKET	GUARNIZIONE	JOINT	DICHTUNG
12	001029.08	001029.13	001032.08	001032.08	BEARING	CUSCINETTO	ROULEMENT	KUGELLAGER
13	001029.12	001029.12	001032.12	001032.12	KEY	CHIAVETTA	CLAVETTE	EINLAGEKEIT
14	001029.02	001029.23	001032.02	001032.23	WORMSHAFT & WHEEL	VITE SENZA FINE E INGRANAGGIO	VIS SANS FIN & ENGRANAGE	SCHNECKE U. ZAHNRAD
16	001029.11	001029.11	001032.11	001032.11	OIL SEAL	PARAOLIO	JOINT D'ÉTANCHÉITÉ	SIMMERRING
17	001029.06	001029.06	001032.06	001032.06	GASKET	GUARNIZIONE	JOINT	DICHTUNG
18	001029.09	001029.09	001032.09	001032.09	BEARING	CUSCINETTO	ROULEMENT	KUGELLAGER
19	001031.08	001035.08	001033.08	001031.13	BEARING	CUSCINETTO	ROULEMENT	KUGELLAGER
20	—	001035.14	—	001031.14	SPACER	RALLA	ENTRETOISE	LAGERSCHALE
21	—	001035.15	—	001031.15	CIRCLIP	SEEGER	CIRCLIP	SEEGER
22	—	001035.16	—	001031.16	SPACER	RALLA	ENTRETOISE	LAGERSCHALE
23	—	001035.17	—	001031.17	CIRCLIP	SEEGER	CIRCLIP	SEEGER
24	—	001035.18	—	001031.18	RUBBER CAP	CAPPELLOTTO IN GOMMA	CAPOUCHON EN CAOUTCHOUC	GUMMIDECKEL
25	—	001035.19	—	001031.19	RUBBER CAP	CAPPELLOTTO IN GOMMA	CAPOUCHON EN CAOUTCHOUC	GUMMIDECKEL
26	—	001035.20	—	001031.20	CIRCLIP	SEEGER	CIRCLIP	SEEGER
27	—	001029.14	—	001032.14	SPACER	RALLA	ENTRETOISE	LAGERSCHALE
28	—	001029.15	—	001032.15	CIRCLIP	SEEGER	CIRCLIP	SEEGER
29	—	001029.16	—	001032.16	SPACER	RALLA	ENTRETOISE	LAGERSCHALE
30	—	001029.17	—	001032.17	CIRCLIP	SEEGER	CIRCLIP	SEEGER
31	—	001029.18	—	001032.18	RUBBER CAP	CAPPELLOTTO IN GOMMA	CAPOUCHON EN CAOUTCHOUC	GUMMIDECKEL
32	—	001029.20	—	001032.20	CIRCLIP	SEEGER	CIRCLIP	SEEGER

MAR 5-10-20-30 - WATER COOLED - RAFFR. AD ACQUA - REFROIDI PAR EAU - WASSERGEKUEHLT

PART NO				DESCRIPTION	DESCRIZIONE	DÉSIGNATION	BESCHREIBUNG
MAR 5	MAR 10	MAR 20	MAR 30				
620331.01	620313.00	620314.01	620315.01	CONDENSER	CONDENSATORE	CONDENSEUR	KONDENSATOR
—	650425.00	650425.01	650425.02	HOSE BARB COUPLING	PORTAGOMMA	RACCORD POUR TUYAU	EINLAUFSTUTZEN
—	650427.00	650423.01	650423.02	NUPPLE	NIPPLO	RACCORD	STUTZE
—	650425.00	650425.02	650425.03	HOSE BARB COUPLING	PORTAGOMMA	RACCORD POUR TUYAU	EINLAUFSTUTZE
—	—	650424.01	650424.02	ELBOW	GOMITO	RACCORD 90°	90° EINLAUFSTUTZE
620111.00	620111.00	620111.01	620310.05	WATER REGUL. VALVE	VALVOLA REGOL. ACQUA	VANNE REGULAT.EAU	WASSERREGULIERUNGWENTIL
	420000.13			SCREW	VITE	VIS	SCHRAUBE
	441001.05			WASHER	RONDELLA	RONDELLE	SCHEIBE
	400044.02			NUT	DADO	ECROU	MUTTER
	794221.03			AUX. FAN MOTOR ASSY	ASS. MOTOVENTILATORE AUS.	ENS. MOTOVENTILATEUR AUX.	LUFTERMOTOREINHEIT
	620300.00			FAN MOTOR	MOTORE VENTILATORE	MOTEUR	MOTOR
	620000.01			FAN BLADE	VENTOLA	HELICE	FLUGEL