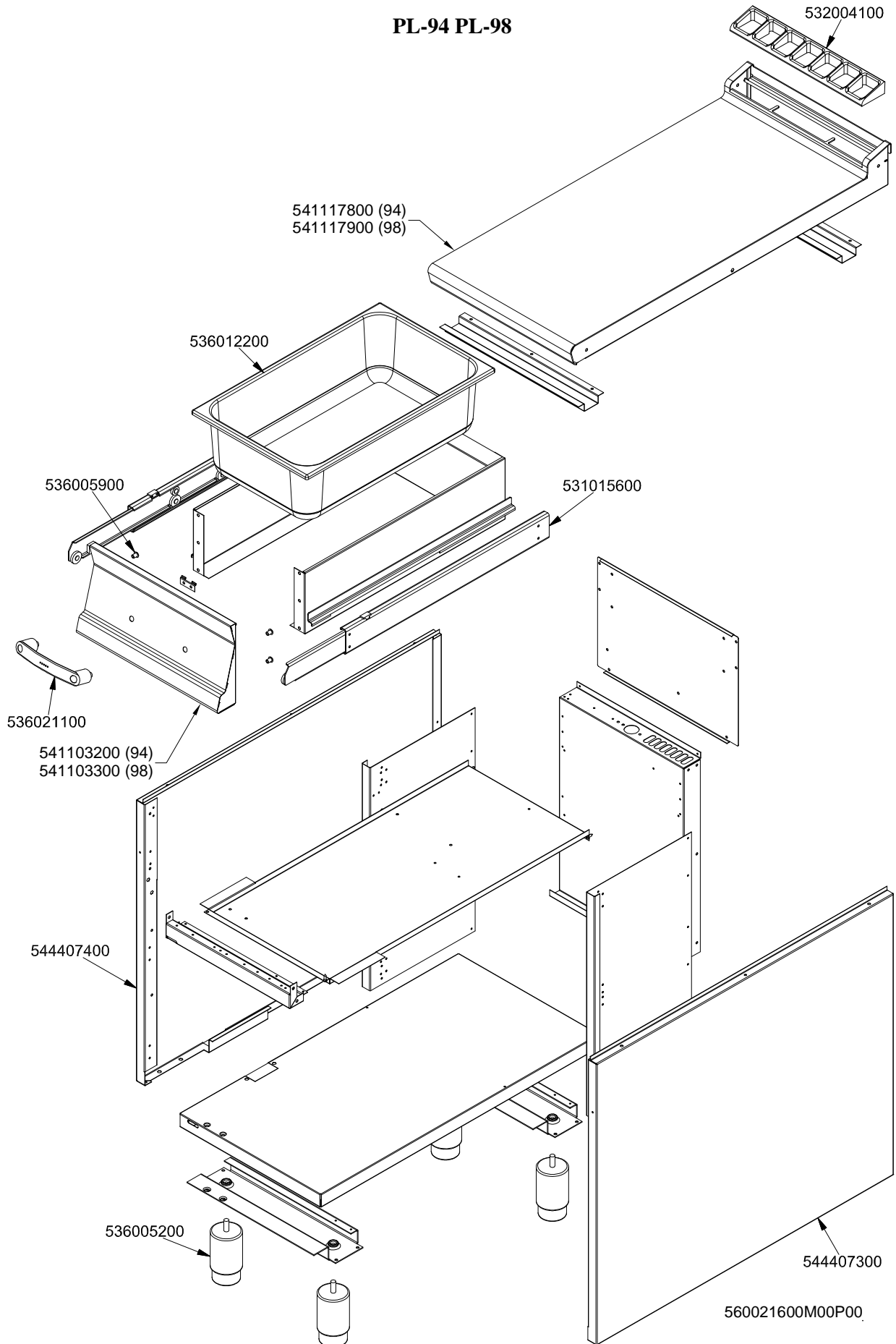


IPERLOTUS 90

NEUTRO / NEUTRAL ELEMENTS / NEUTRALE ELEMENTE / ELEMENTES NEUTRES

PL-94 PL-98



| Page | Pos | Code | Description |
|-------------|------------|-------------|-----------------------------------|
| 001 | | 541117900 | UPPER PLATE PL-98 |
| 001 | | 536012200 | PLASTIC CONTAINER GN 1/1 H.150 |
| 001 | | 536005900 | BUMPER D.12,5 H.2 |
| 001 | | 531015600 | RHD TELESCOPIC GUIDE RS50 L=570 |
| 001 | | 532004100 | FLUE GRID L=370 70LINE (RAF) |
| 001 | | 544407300 | RIGHT SIDE PANEL 90 LINE |
| 001 | | 536005200 | INOX LEG 2" 120-180 M10 |
| 001 | | 544407400 | LEFT SIDE PANEL 70 LINE |
| 001 | | 541103300 | FRONTAL OF DRAWER PL-78 |
| 001 | | 536021100 | BLACK HANDLE 70LINE + 2RED POINTS |