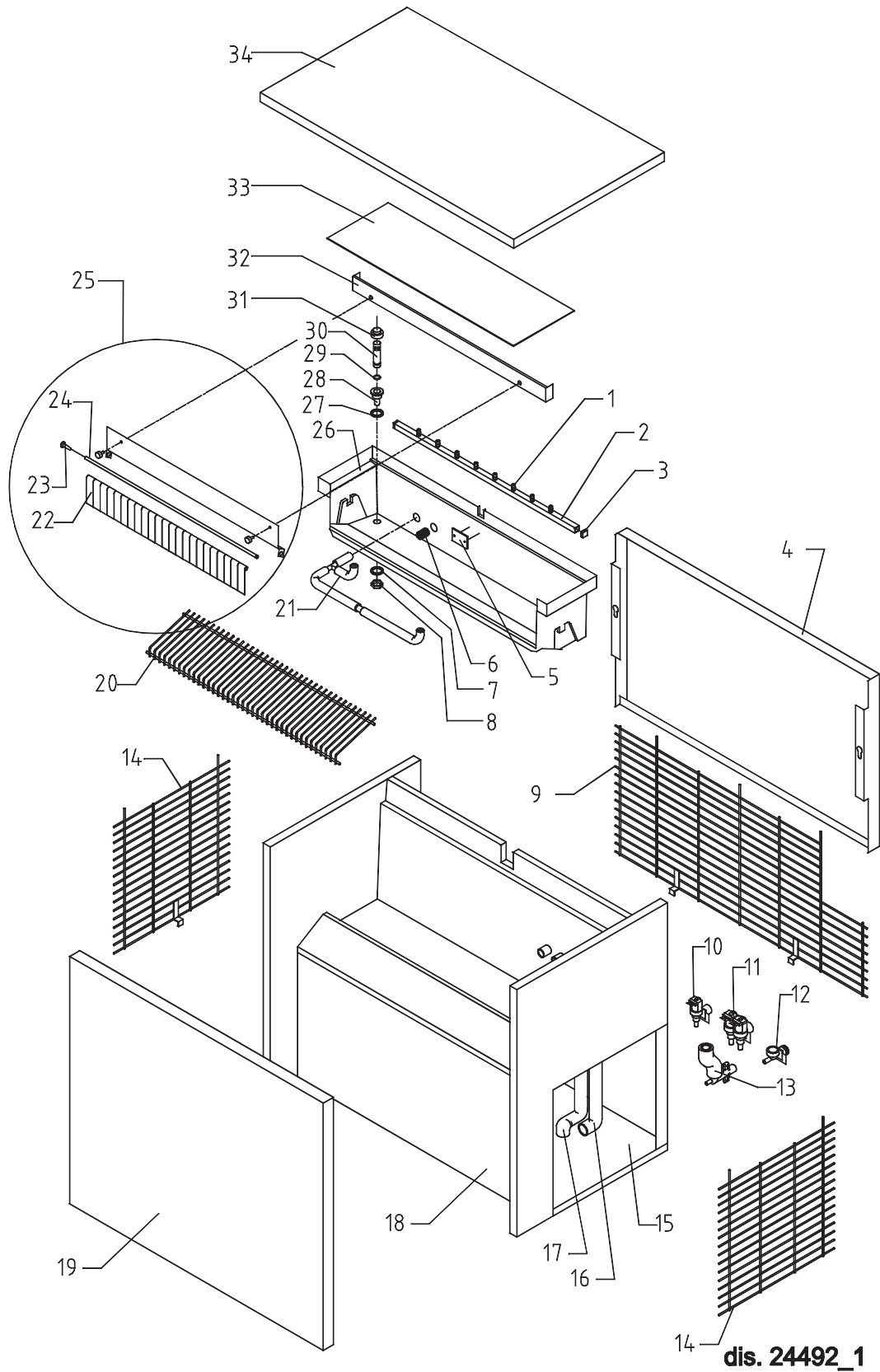


Shell assembly + Hydraulic circuit Mod. C80-150 A/W



Shell assembly + Hydraulic circuit Mod. C150 A/W (TAB. 24)

Ref.	Description	Refrigerant	A/W	Tension	Code
1	Sprayer				D20002
2	Sprayers bar assembly				C20144
3	Sprayers bar plug				10012
4	Rear panel				22127
5	Slide keep plate				10009
6	Pump suction filter				20005
7	Semirigid polyethylene gasket				13007
8	Bin discharge nut				10096
9	Back grid				D12068
10	Inlet watervalue 1 way			1-2	23108
10	Inlet watervalue 1 way			3	23281
12	1 way inlet water nipple		W		10368
13	Discharges manifold		A		C10006
13	Discharges manifold		W		C26452
14	Lateral grid				D12036
15	Base plate				21078
16	Pump suction pipe				13013
17	Pump delivery pipe				13014
18	Foamed cabinet assy				C11020
19	Front panel assembly				C22125B
20	Ice cubes slide				D12022
21	Sprayers feeding pipe connection assy				C13037
22	Flag				10005
23	Flags rod clip				10010
24	Flags rod				12023
25	Flags support assy				C22134
26	Inner basin				10055
27	Silicone gasket				13006
28	Plastic nipple water outlet				10007
29	Or gasket for overflow pipe				20233
30	Overflow tube				10133
31	Overflow cap				10305
32	Evaporator holder				22079
33	Evaporator cover				10058
34	Top assembly				C22124

Note: 9. Code D12035 until number 123682. Code D12068 from number 123683.

11. Code 23138 (W, Tens.1-2) until number 123682. Code 23282 (W, Tens.3) until number 123682.

Cooling system assembly Mod. C150 A/W (TAB. 26)

Ref.	Description	Refrigerant	A/W	Tension	Code
1	Evaporator				D10214
2	Hot gas coil			1-2	23091
2	Hot gas coil			3	23256
3	Hot gas valve body				20409
4	Suction impeller				10213
5	Hub+washer+screw				10014
6	Pump motor			1-2	23068
6	Pump			3	23264
7	Anti radio interference filter		A	1	23459
8	Contactora			1-2	23594
8	Contactora			3	23595
9	Pressure switch (maximum pressure)		W		23342
10	Condenser pressure switch		A		23175
11	Bin thermostat				23005
12	Evaporator thermostat				23591
13	Timer	R404A		1	23247
13	Timer	R404A		2	23222
13	Timer	R404A		3	23258
13	Timer	R22		1	23222
13	Timer	R22		2	23248
14	Compressor	R404A		1	23438
14	Compressor	R404A		2	23466
14	Compressor	R404A		3	23586
14	Compressor	R22		1	23301
14	Compressor	R22		2	23432
15	Vacuum- charge valve body				14007
16	Vacuum-charge valve device				14005
17	Vacuum-charge valve plug				14006
18	Fan motor		W	1-2	23029
18	Fan motor		W	3	23265
20	Water condenser		W		14081
21	Solid core drier				14084
22	Air condenser		A		20426
23	Conveyor	R404A	A	3	10238
24	Suction fan		A	1-2	20407
24	Suction fan 254/31°		A	3	20031
25	Fan motor		A	1-2	23121
25	Fan motor		A	3	23393
26	Pressure valve		W		20210

Note: 19. Code C23114 (W) until number 105976.

22. Code 20148 (A) until number 43017. Code 20426 (A) from number 43018.

24. Code 20153 (A, Tens. 1-2) until number 43017. Code 20407 (A, Tens. 1-2) from number 43018.

13. Code 23222 from September 1992. Before Code 23003.