

# MCM1462R SERVICE PARTS

This parts lists shows the service parts for the MCM1462R Remote.

Check the model number of the machine to be certain of obtaining the correct part.

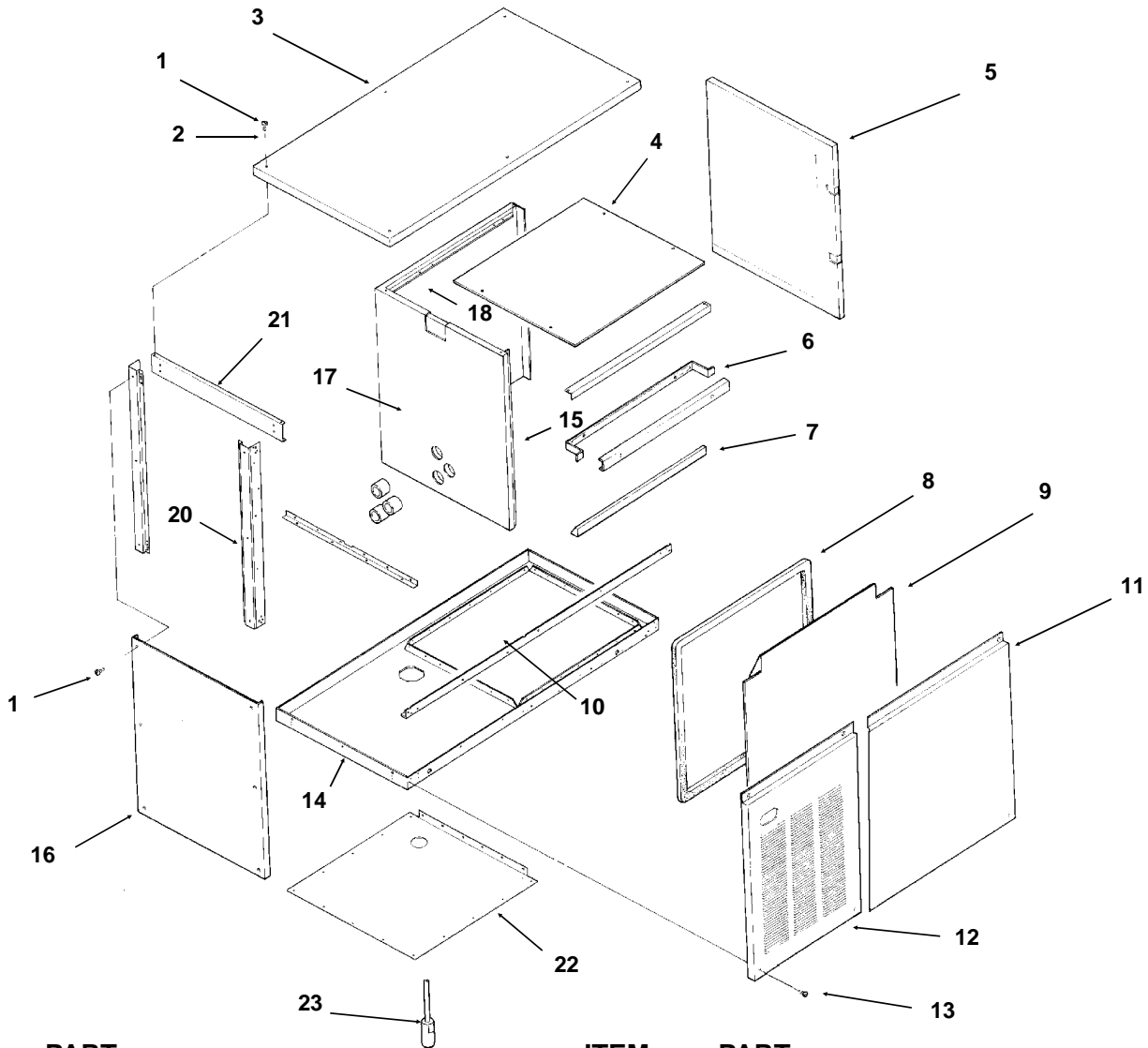
Included at the back of the parts list are the wiring diagrams.

## Table of Contents

Cabinet . . . . .	Page 2
Refrigeration System . . . . .	Page 3
Remote Condenser . . . . .	Page 4
Control Box . . . . .	Page 6
BH900 Bin . . . . .	Page 7
Wiring Diagrams . . . . .	Page 8

# MCM1462R SERVICE PARTS

## CABINET PARTS

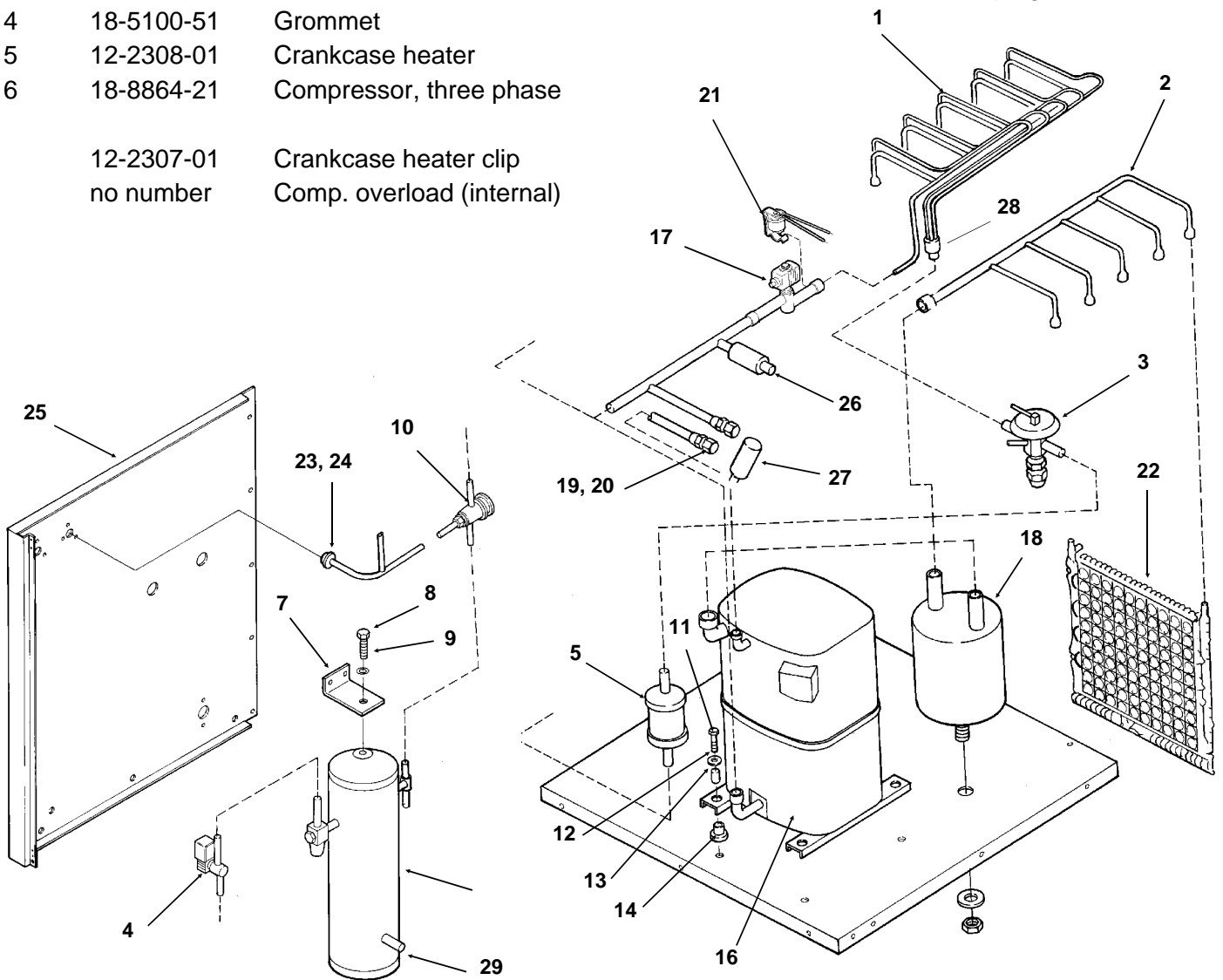


ITEM NUMBER	PART NUMBER	DESCRIPTION	ITEM NUMBER	PART NUMBER	DESCRIPTION
1	03-1531-01	Screws	12	A35400-002	Left front panel
2	03-1417-27	Washers		03-1678-02	Panel screw
3	A35074-002	Panel top (stainless)		02-3236-01	Plastic bumper
4	A33364-001	Liner top	13	03-1678-02	Panel screw
5	A29164-002	Right panel (stainless)	14	A35110-001	Base assembly
6	A29204-001	Brace front	15	02-2533-01	Liner, left side
7	02-2532-01	Liner cap	16	A35075-002	Left side panel, stainless
8	13-0595-00	Gasket (order per foot)	17	no number	Retainer
9	02-2795-01	Liner, front panel	18	02-2531-01	Liner back
10	03-1678-01	Speed clip (for front panels)	19	02-2534-01	Right side liner
11	A35401-023	Right front panel	20	A35069-001	Corner post
	includes liner and gasket		21	A35066-001	Brace
	03-1678-04	Thumb screw	22	02-3151-01	Plastic cover
	03-1678-03	Screw retainer	23	A34908-021	Transducer
	02-3236-01	Plastic bumper			

# MCM1462R SERVICE PARTS

## REFRIGERATION SYSTEM

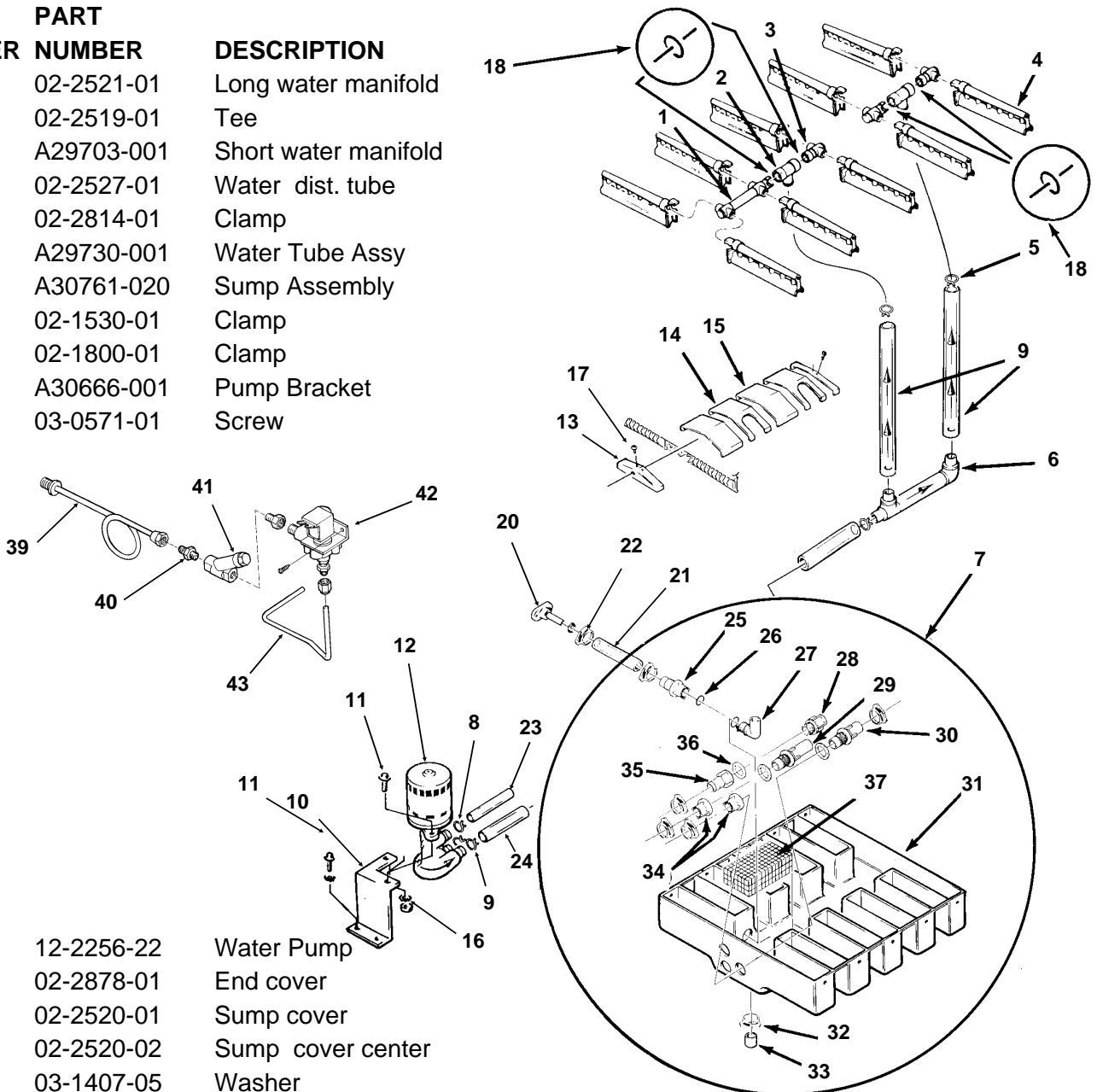
ITEM NUMBER	PART NUMBER	DESCRIPTION	ITEM NUMBER	PART NUMBER	DESCRIPTION
1	A35122-001	Evap. manifold assy	17	12-2135-02	Hot gas valve
2	16-0887-01	Manifold assy		02-3231-03	Hot gas valve filter
3	16-0816-21	Expansion valve	18	16-0817-21	Accumulator
	13-0617-51	O-Ring	19	16-0560-00	Valve core
	02-2920-01	Foam insulation	20	16-0563-00	Valve cap
4	12-2274-01	Liquid line solenoid valve	21	12-2300-02	Hi temp cut out
5	02-3319-02	Drier	22	A30296-020	Evaporator plate
6	16-0761-01	Receiver	23	16-0850-01	Discharge quick connect
7	A35072-001	Receiver bracket	24	16-0850-03	Liquid quick connect
8	03-1410-06	Lockwasher	25	A35070-001	Back panel
9	03-1406-13	Nut	26	11-0446-25	Hi pressure cut out
10	11-0422-22	Head pressure reg. valve	27	11-0467-21	Pump down control
11	03-1405-20	Screw	28	16-0790-01	Distributor, included in item 1.
12	03-1407-07	Washer	29	16-0823-01	Fusible plug
13	18-2200-28	Sleeve			
14	18-5100-51	Grommet			
15	12-2308-01	Crankcase heater			
16	18-8864-21	Compressor, three phase			
	12-2307-01	Crankcase heater clip			
	no number	Comp. overload (internal)			



# MCM1462R SERVICE PARTS

## WATER SYSTEM

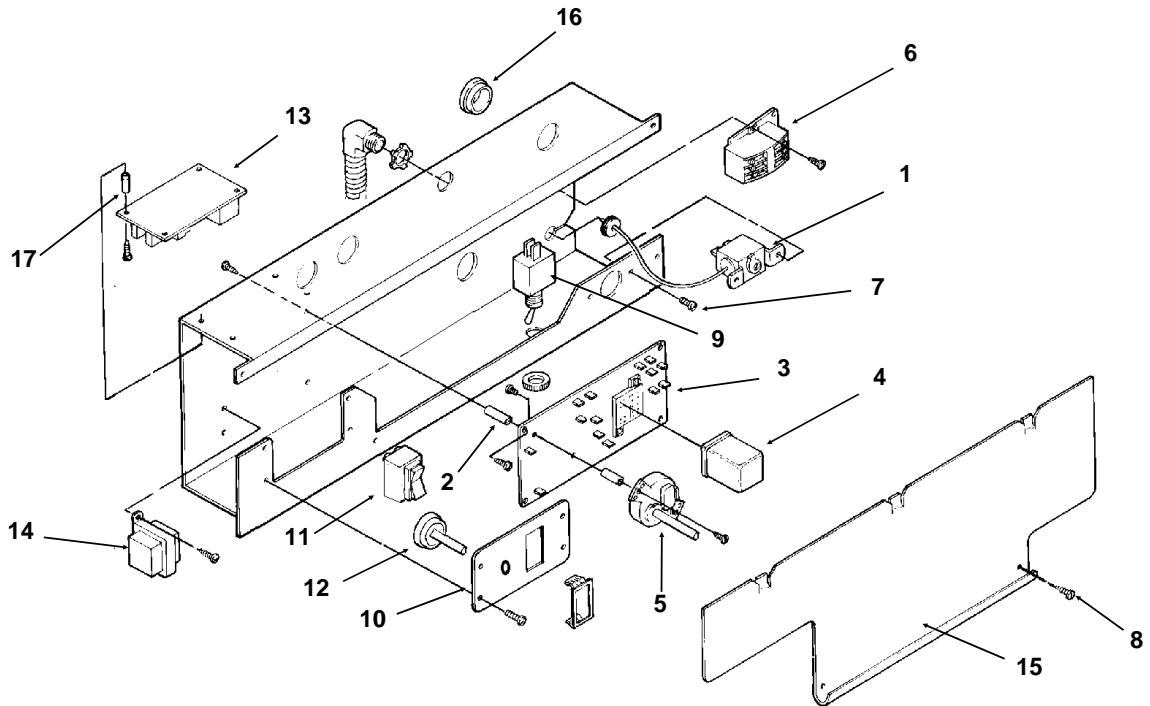
ITEM NUMBER	PART NUMBER	DESCRIPTION
1	02-2521-01	Long water manifold
2	02-2519-01	Tee
3	A29703-001	Short water manifold
4	02-2527-01	Water dist. tube
5	02-2814-01	Clamp
6	A29730-001	Water Tube Assy
7	A30761-020	Sump Assembly
8	02-1530-01	Clamp
9	02-1800-01	Clamp
10	A30666-001	Pump Bracket
11	03-0571-01	Screw



12	12-2256-22	Water Pump
13	02-2878-01	End cover
14	02-2520-01	Sump cover
15	02-2520-02	Sump cover center
16	03-1407-05	Washer
17	03-1531-01	Screw
18	13-0617-48	O-ring
19	13-0674-07	Hose (18.5")
20	A31757-002	Drain
21	13-0674-07	Tube, drain (7")
22	02-2814-12	Hose clamp
23	13-0674-07	Tube, need 6.25"
24	13-0674-08	Tube, need 6.6"
25	02-2606-01	Female tube
26	13-0617-02	O-ring
27	02-2125-01	Elbow
28	A29342-001	Overflow
29	02-2792-01	Pick Up tube

30	02-2793-01	Inlet tube
31	no number	sump pan
32	02-1530-01	Clamp
33	13-0796-01	Rubber cap
34	02-2791-01	Water inlet nut
35	02-2606-01	Female tube
36	13-0617-02	O-ring
37	A30760-001	Screen
39	A35119-001	Water inlet assy.
40	16-0791-01	Half unio
41	16-0162-00	Strainer
42	12-1646-04	Inlet water valve
43	A35117-001	Tube

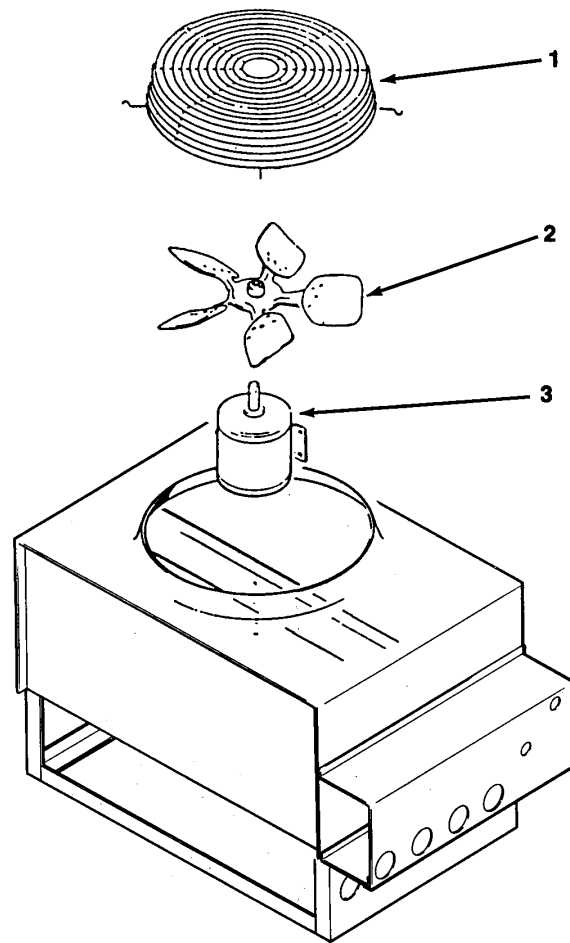
# MCM1462R SERVICE PARTS CONTROL BOX



ITEM NUMBER	PART NUMBER	DESCRIPTION
1	11-0351-22	Cube Size Control
2	02-2242-02	Stand off
3	12-1912-01	Circuit board
4	12-1879-03	Relay
5	12-2317-22	Timer & Switch
6	12-0739-02	Contactor
7	03-1403-17	Screw
8	03-1638-03	Screw
9	12-0426-01	Comp. Switch
10	A34880-001	Switch plate
11	12-2375-01	Wash- Off - Ice switch
12	12-2400-01	Bin ice level switch
	02-3126-01	Knob for bin switch, not shown
13	12-2376-21	Ice level control circuit board
14	12-2285-22	Transformer
15	A35082-001	Control box cover
16	12-1213-12	Snap bushing
17	12-2350-01	Stand off

# MCM1462R SERVICE PARTS

## REMOTE CONDENSER

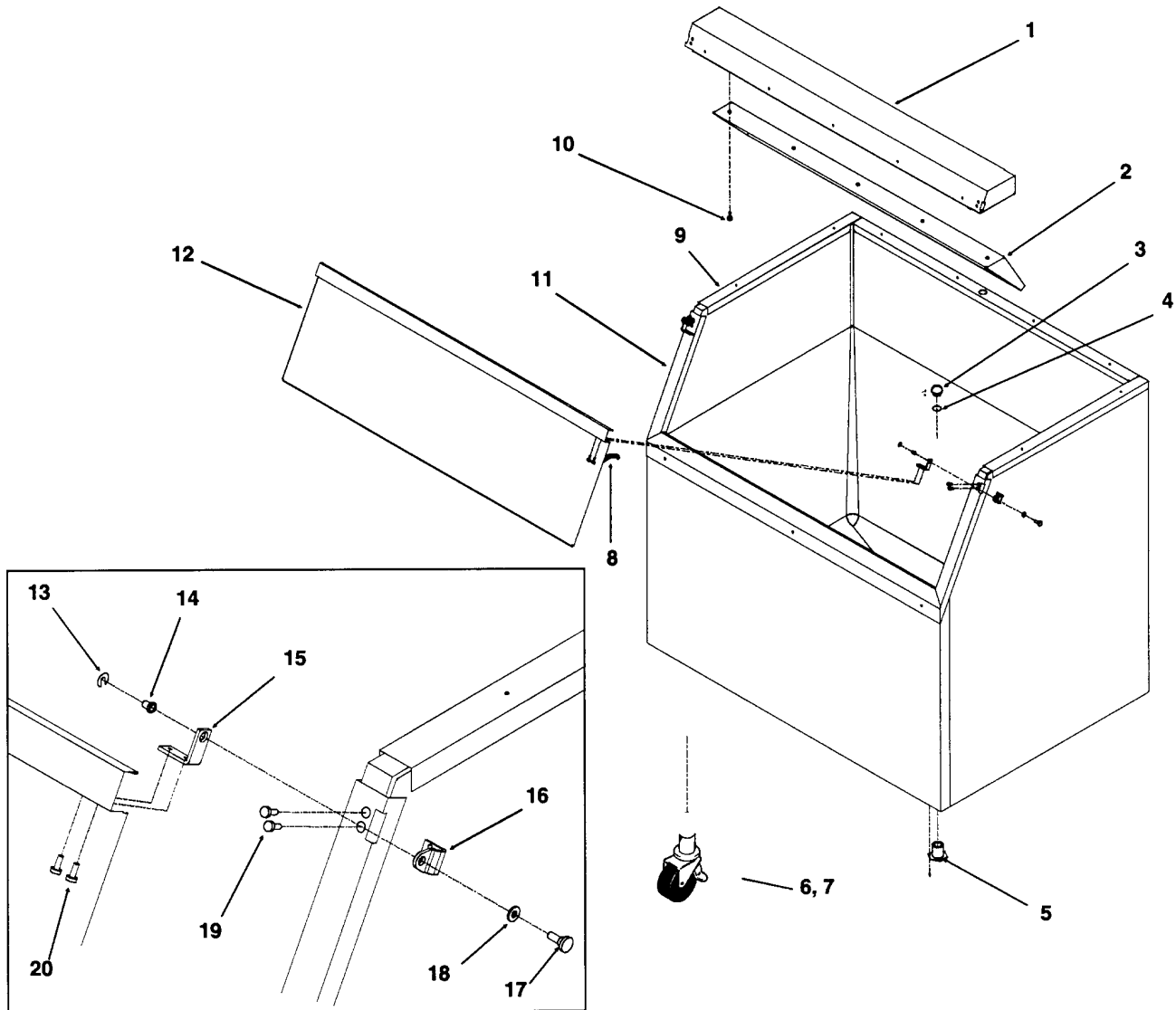


### RC1422-32

ITEM NUMBER	PART NUMBER	DESCRIPTION
1	02-2618-01	Fan guard
2	18-6304-01	Fan blade
3	18-5301-01	Fan motor
Not shown:		
4	16-0850-03	Quick connect, liquid
5	16-0850-01	Quick connect, discharge
6	16-1057-01	Quick connect, pre-charged 3/8" line
7	16-1057-02	Quick connect, pre-charged 1/2" line

# MCM1462R SERVICE PARTS

## MDB900 ICE STORAGE BIN



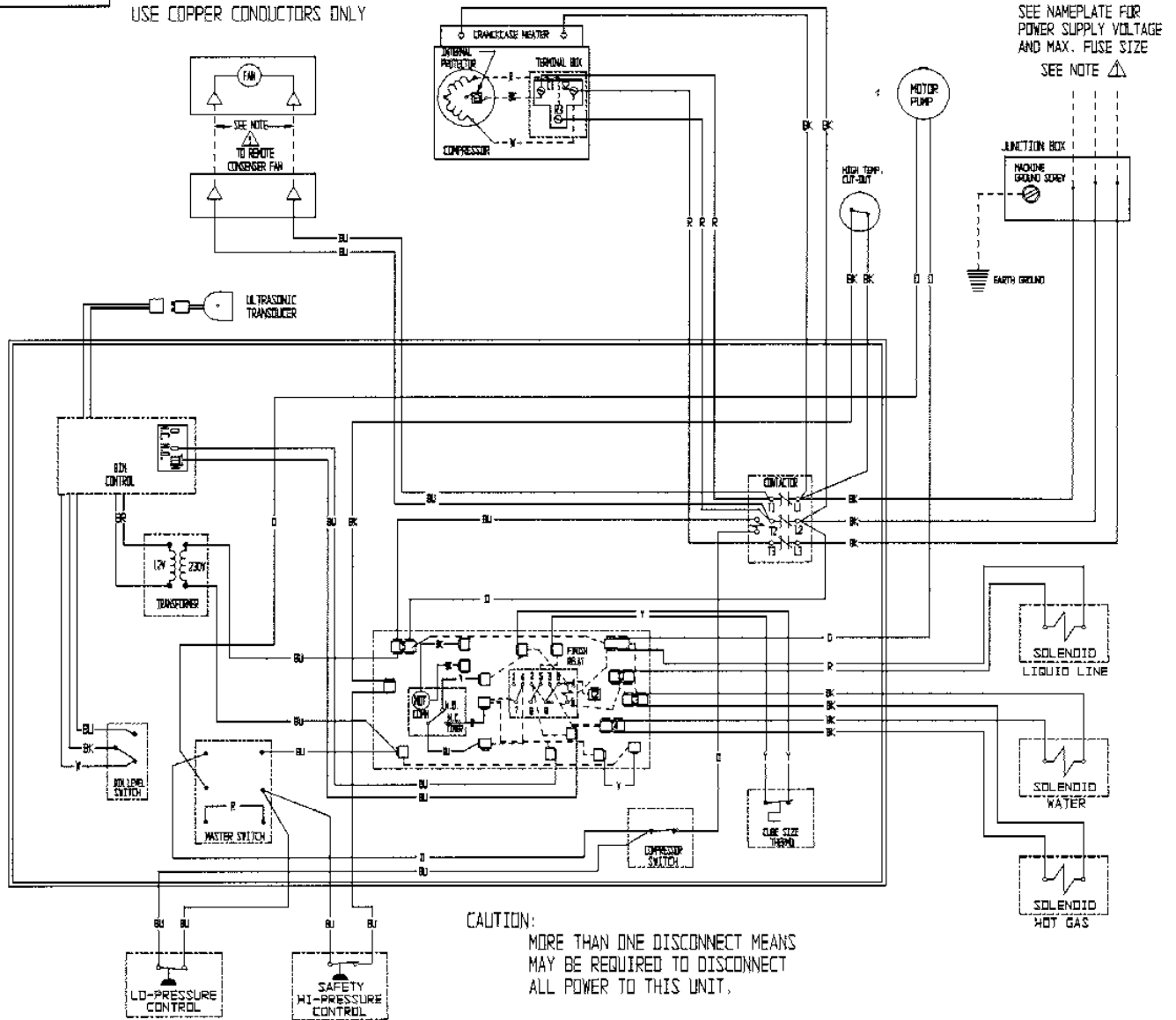
ITEM NUMBER	PARTS NUMBER	DESCRIPTION	ITEM NUMBER	PARTS NUMBER	DESCRIPTION
1	A35322-020	Canopy Assembly	14	02-2380-01	Hinge bushing
2	A35152-001	Ice Baffle	15	02-3195-01	Door hinge
3	02-2809-01	Drain Top	16	02-3196-01	Bin hinge
4	13-0617-11	O-ring	17	02-2806-01	Shoulder screw
5	02-3201-01	Drain casting	18	02-2380-02	Spacer
6	02-3111-01	Front Caster, swivel	19	03-1403-29	Screw 10-24
7	02-3110-01	Back Caster	20	03-1403-24	Screw 10-24
8	13-0595-00	Door gasket( 6.25' reg.)	21	02-0540-00	Scoop
9	19-0503-04	Bin gasket	22	A35447-001	Scoop holder
10	03-0727-11	Baffle screw	23	A34931-001	Bumper
11	A35275-001	Door frame assy.			
12	A35323-020	Door with gasket			
13	03-1539-09	"E" ring			

# MCM1462R SERVICE PARTS

## Remote Air Cooled, Three Phase

A35441-003

THIS UNIT MUST BE GROUNDED  
USE COPPER CONDUCTORS ONLY





# MCM1462R SERVICE PARTS

## Remote Air Cooled, Three Phase

