



IMF 58

LIST OF THE EXPLODED VIEWS



SHELL ASSY

COOLING SYSTEM

HYDRAULIC CIRCUIT

EVAPORATOR SUPPORT

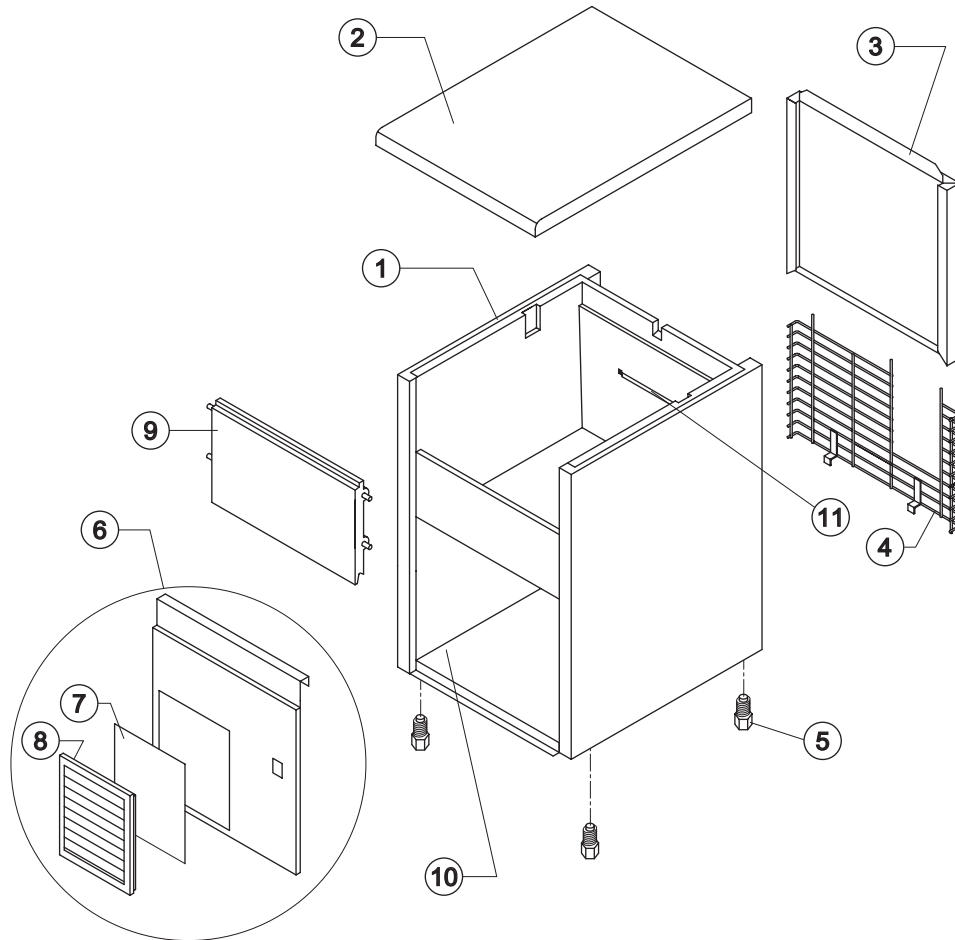
ELECTRIC PARTS

Rev. 3 - 14/12/2007



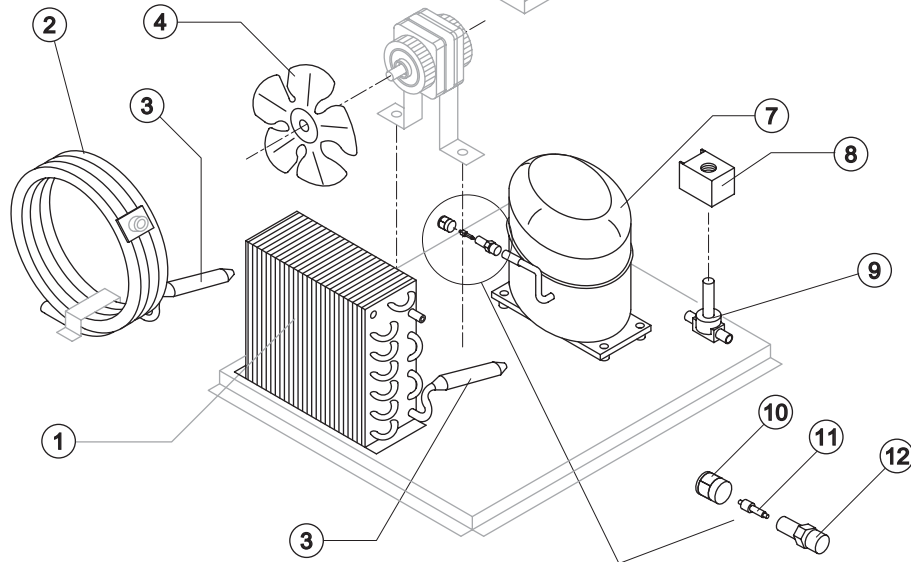
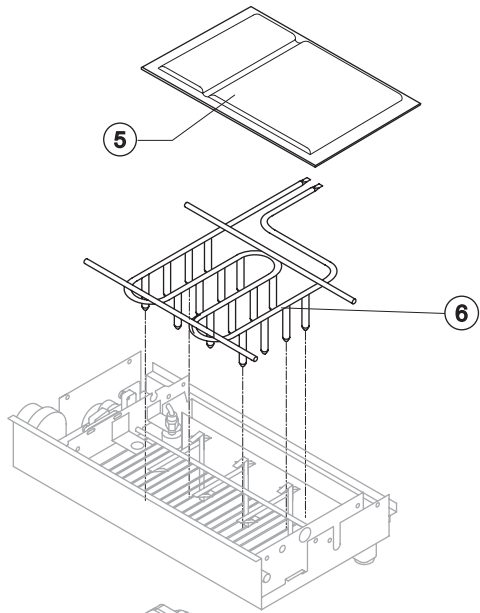
IMF 58

SHELL ASSY



Ref.	Spare Description	Code
1	Foamed Cabinet Assy	C11143
2	Top Assembly	C22692
3	Rear Panel Assembly	C21183
4	Rear Grid	D12006
5	Foot	20613
6	Front Grid Panel	C22508
7	Filtering Panel	18106
8	Frame + Grid & Filter	C10205
9	Door Assy	C10297
10	Base Plate	21279
11	Bulbe-holder Pipe	20522

Rev. 3 - 14/12/2007



Common Parts

Ref.	Spare Description	Code
3	Molecular Drier	14009
5	Evaporator Cover Panel	10487
6	Evaporator	D14527
7	Compressor	23441
8	Hot Gas Valve Coil	23091
9	Hot Gas Valve Body	20410
10	Vacuum-Charge Valve Plug	14006
11	Vacuum-Charge Valve Device	14005
12	Vacuum-Charge valve Body	14007

Parts for Air-Cooled Version Only

Ref.	Spare Description	Code
1	Air Condenser	20019
4	Sucking Fan	20096

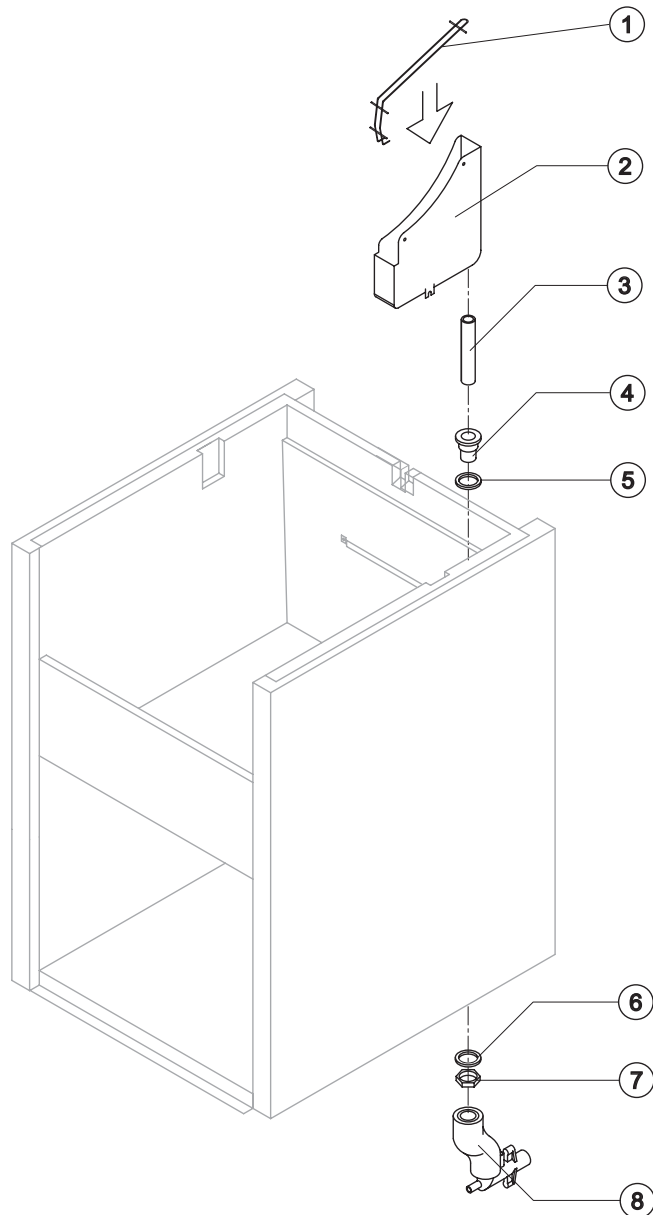
Parts for Water-Cooled Version Only

Ref.	Spare Description	Code
2	Water Condenser	14014



IMF 58

HYDRAULIC CIRCUIT



Common Parts

Ref.	Spare Description	Code
1	Water Collecting Basin Slide	12072
2	Water Collecting Basin	10456
3	Water Collecting Basin Drain Pipe	13107
4	Water Outlet Nipple	10472
5	Silicone Gasket	13006
6	Semirigid Polyethylene Gasket	13007
7	Bin Discharge Nut	10096

Parts for air-Cooled Version Only

Ref.	Spare Description	Code
8	Discharges Manifold	C10006

Parts for Water-Cooled Version Only

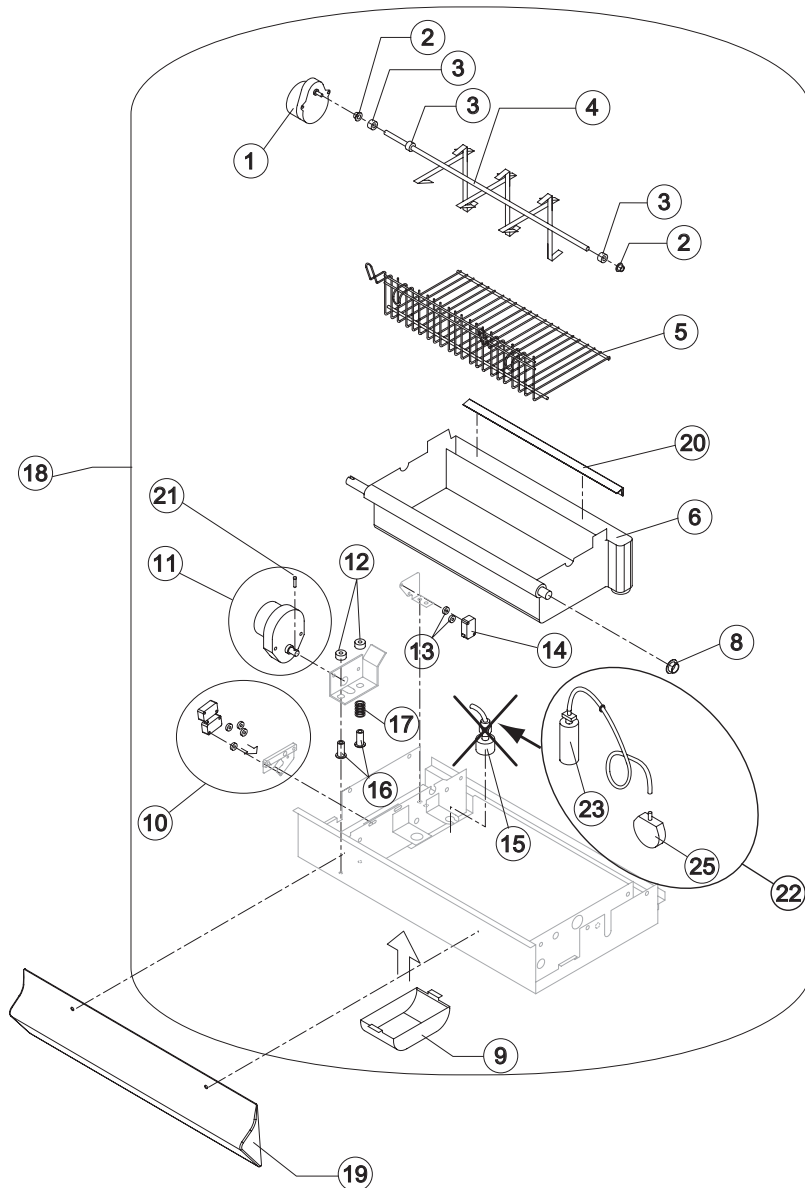
Ref.	Spare Description	Code
8	Discharges Manifold	C26452

Rev. 3 - 14/12/2007



IMF 58

EVAPORATOR SUPPORT



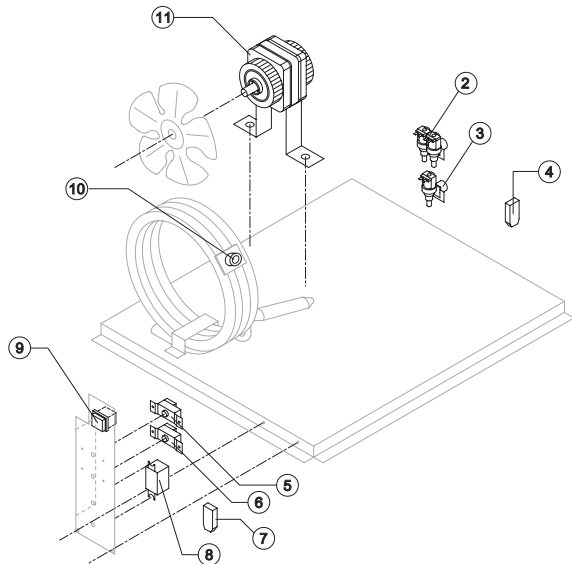
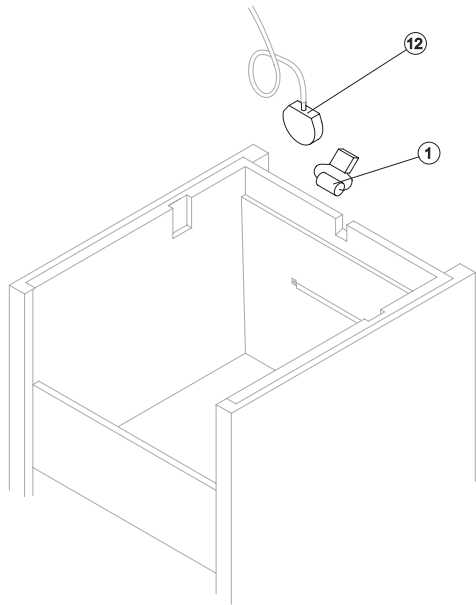
Ref.	Spare Description	Code
1	Gearmotor (Paddles)	23802
2	Self-Lubricating Bush 06/06	20230
3	Shaft Stop Ring	20227
4	Shaft with Paddles	20818
5	Internal Basin Slide	12075
6	Water Basin with Pivot	C10491
8	Self-Lubricating Bush 12/07	20231
9	Gearmotor (Paddles) Protection	10483
10	2 Microswitch Support Assembly	C23803
11	Gearmotor (Turnover Basin) with Shaft Pin	C23800
12	Special Ring	20808
13	Switch Shimming Ring	10250
14	Microswitch	23804
15	Electromagnetic Level Switch	replaced by ref. 22
16	Threaded Pivot	20807
17	Spring (Gearmotor Support)	20809
18	Evaporator Support Plate Assembly	C22142
19	Basin Protection	10509
20	Edge for Basin	221068
21	Shaft Pin for Gearmotor (Turnover Basin)	20814
22	Water Level Pressure Switch Assy	KIT23870
23	Air Trap with Pipe	C10537
25	Water Level Pressure Switch	23870

Rev. 3 - 14/12/2007



IMF 58

ELECTRIC PARTS



Common Parts

Ref.	Spare Description	Code
1	Capacitor 0,068 μ F	C23798
4	Anti Radio Interference Filter	C23458
5	Condenser Pressure Switch	23175
6	Bin Thermostat	R23005
8	Relay	23190
9	Green Light Switch (On-Off)	23327
12	Water Level Pressure Switch	23870

Parts for Air-Cooled Version Only

Ref.	Spare Description	Code
11	Fan Motor	23029
7	Anti Radio Interference Filter	C23459
3	1 Way- Water Inlet Valve	23220

Parts for Water-Cooled Version Only

Ref.	Spare Description	Code
7	Anti Radio Interference Filter	C23457
10	Safety Thermostat Switch	C23114
2	2 Ways- Water Inlet Valve	23501