

AC225

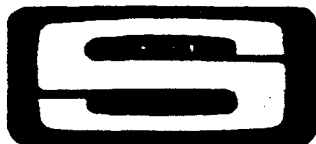
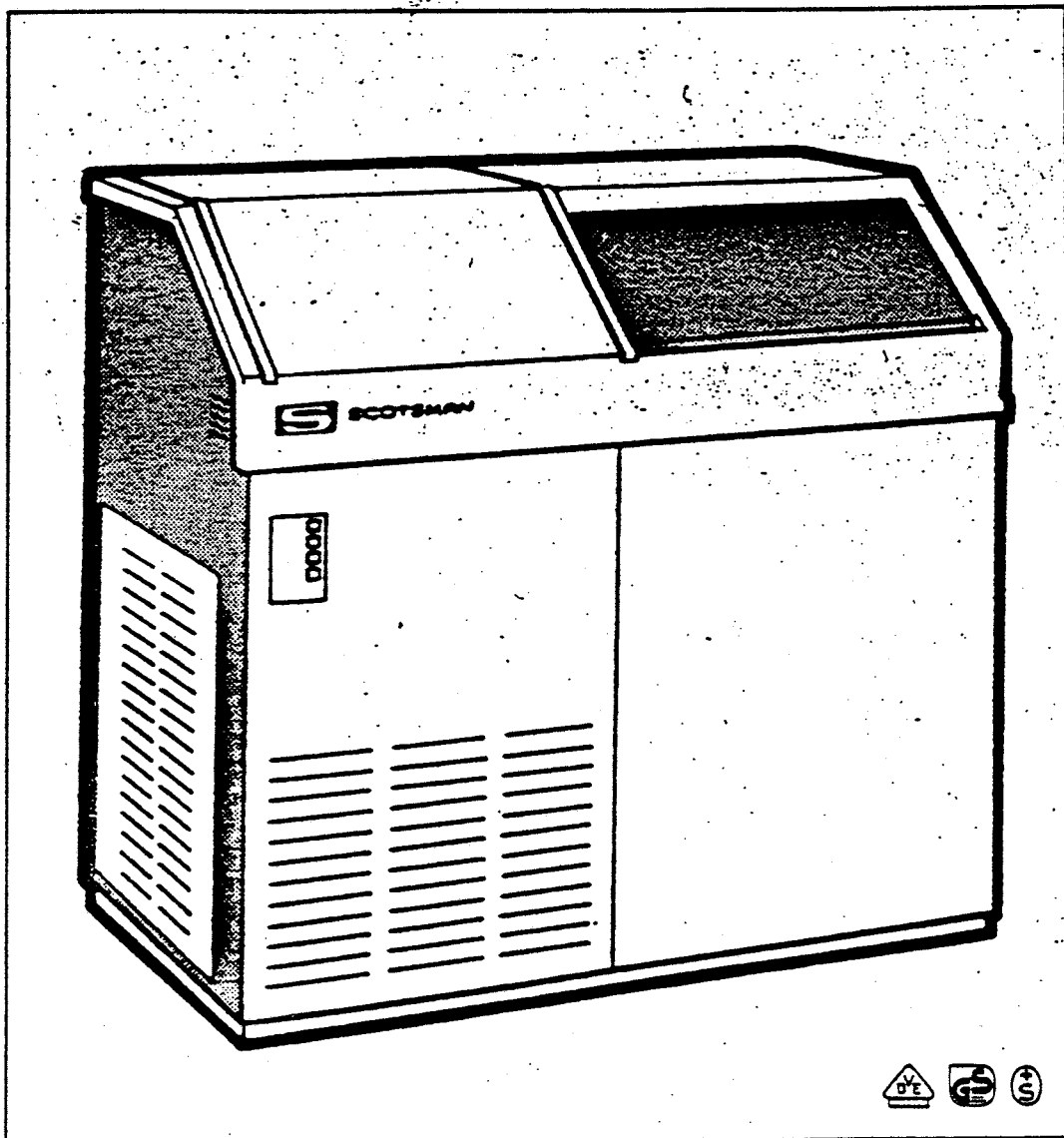
Electronic cuber with storage

Spare parts list

Catalogo ricambi

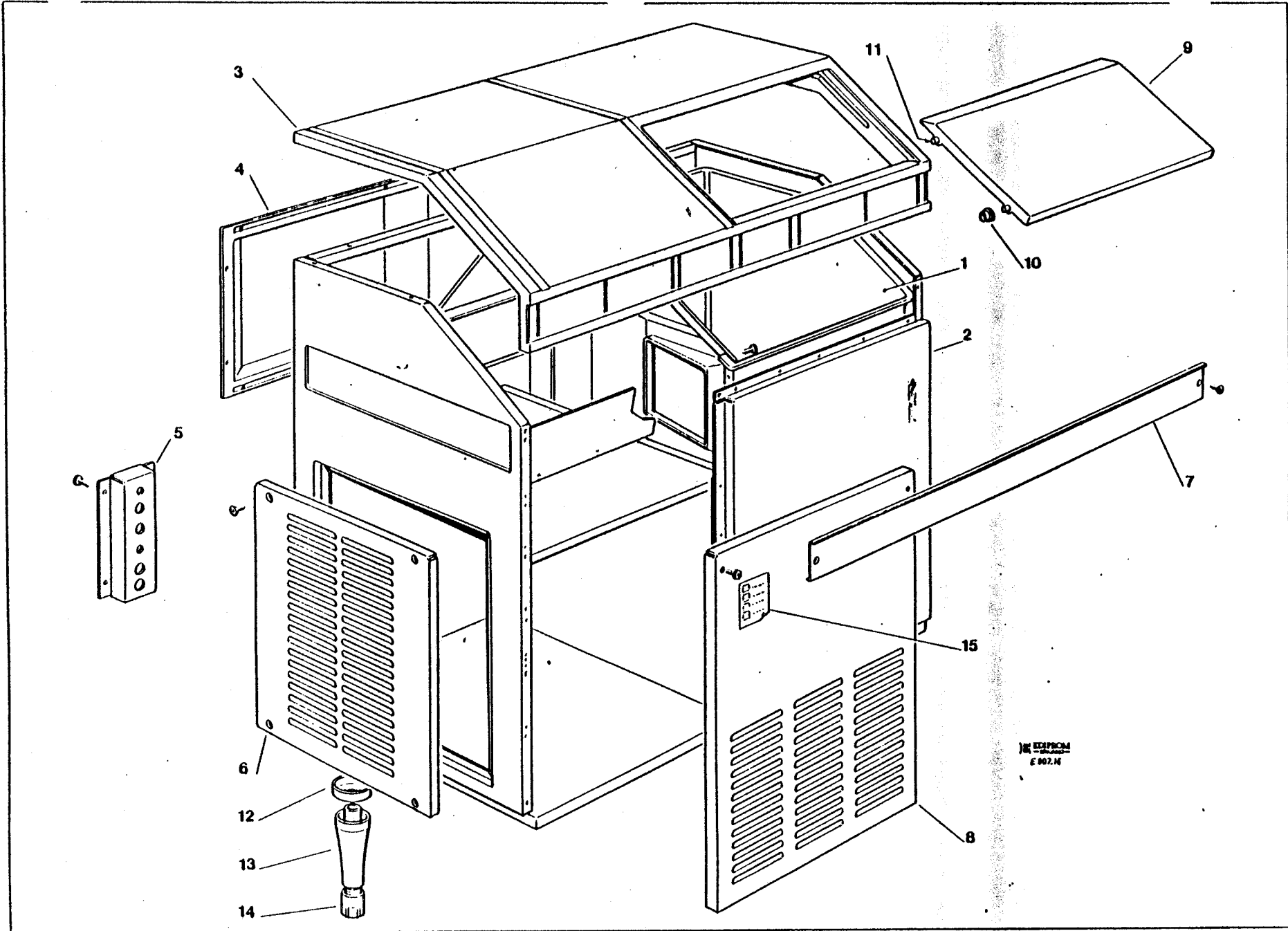
Catalogues pièces détachées

Ersatzteilkatalog



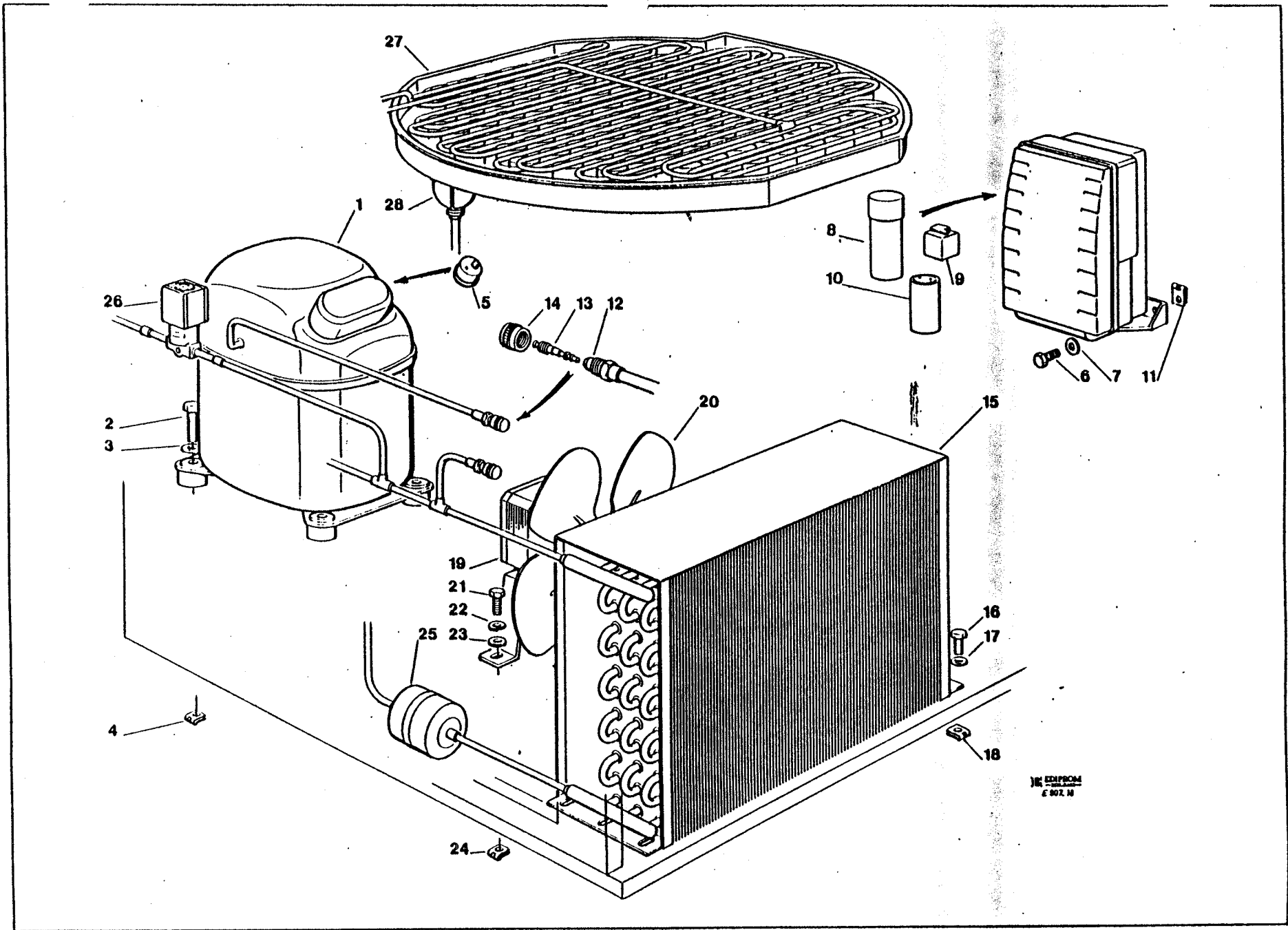
SCOTSMAN®

ICE SYSTEMS



AC 225 - UNIT PANELS - ASSIEME MOBILE - ENS. CARROSSERIE - MACHINE GEHAUSE

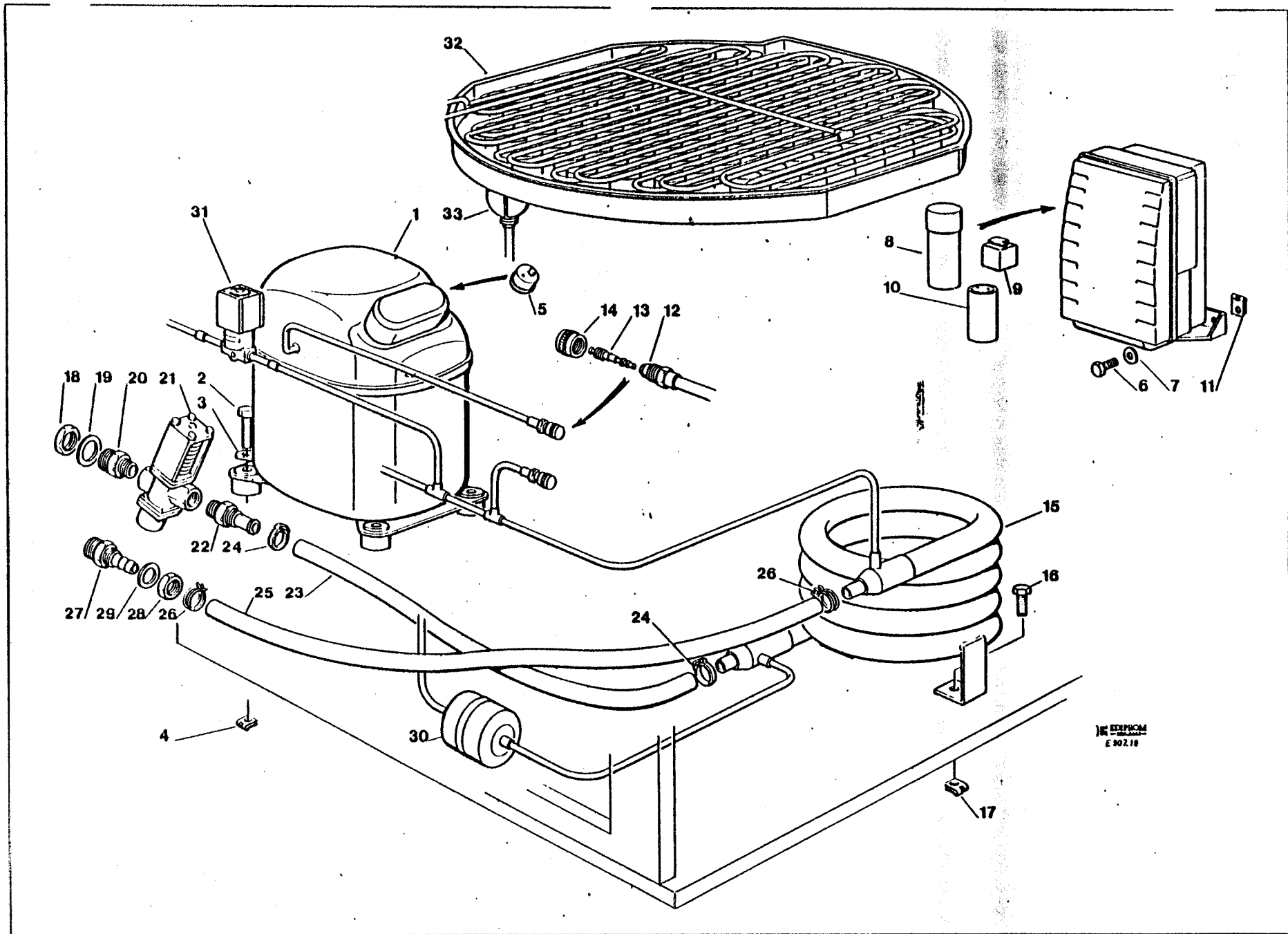
ITEM NO POS NO REP. NO REF. NC	PART NO CODICE REFERENCE STUECK NR	DESCRIPTION	DESCRIZIONE	DESIGNATION	BESCHREIBUNG
1	660502 00	STORAGE BIN	CONTENITORE GHIACCIO	CABINE STOCKAGE	SPEICHER
2	781370 03	UNIT FRAME S.S.	ASSIEME TELAIO INOX	ENSAMBLE CHASSIS ACIER INOX	EDELSTAHL-CHASSIS RAHMEN
3	660490 05	PLASTIC TOP PANEL	PANNELLO SUPERIORE IN PLASTICA	PANNEAU SUPERIEUR EN PLASTIQUE	ABDECKHAUBE
4	660503 00	PLASTIC REAR PANEL	PANNELLO POSTERIORE IN PLASTICA	PANNEAU ARRIERE EN PLASTIQUE	RUECKWAND
5	701993 03	METAL BRACKET FOR FITTINGS S.S.	SUPPORTO ATTACCHI ACC. INOX	SUPPORT DE RACCORDS INOX	METALLTRÄGER EDELSTAHL
6	701808 01	LEFT SIDE PANEL S.S.	PANNELLO LATERALE SX ACC. INOX	PANNEAU GAUCHE INOX	LINKSWAND EDELSTAHL
7	721437 08	S.S. FRONT STRIPE	BANDA FRONTALE ACC.INOX	BANDE ENTRETOISE ACIER INOX	EDELSTAHL-BANDSTREIFEN
8	781309 13	FRONT PANEL S.S.	PANNELLO FRONTALE ACC.INOX	PANNEAU AVANT ACIER INOX	VORDERWAND EDELSTAHL
9	792011 01	BIN DOOR ASSY	ASSIEME SPORTELO	ENSAMBLE PORTE CABINE	SPEICHERTUER
10	660286 00	DOOR RUNNER - BUSHING	BUSSOLA DI SCORRIMENTO	BAGUE DE COULISSAGE PORTE	TUERGLEITBUCHSE
11	660351 01	BIN DOOR PIN	PERNO SPORTELO	PIVOT PORTE CABINE	SPEICHERTUER STIFT
12	660516 00	LEG SOCKET COLLAR	COPRIGHIERA PIEDINI	COLLIER DE SOCLE PIEDS	FUESSENIPPELRING
13	660258 00	LEG	PIEDINO	PIED	FUESSE
14	660257 00	LEG LEVELLER	VITE DI REGOLAZIONE	VIS DE REGLAGE DES PIEDS	NIVELLIERUNGSHUELSE
15	650624 01	LABEL	ADESIVO SEGNALETICO	ETIQUETTE	ETIKETT



REDFORD
C 902 H

**AC 225 - REFRIGERANT SYSTEM AIR COOLED - SISTEMA REFRIGERANTE RAFFR. AD ARIA
CIRCUIT FRIGORIFIQUE REFROID. PAR AIR - LUFTGEKÜHLT GEFRIERSYSTEM**

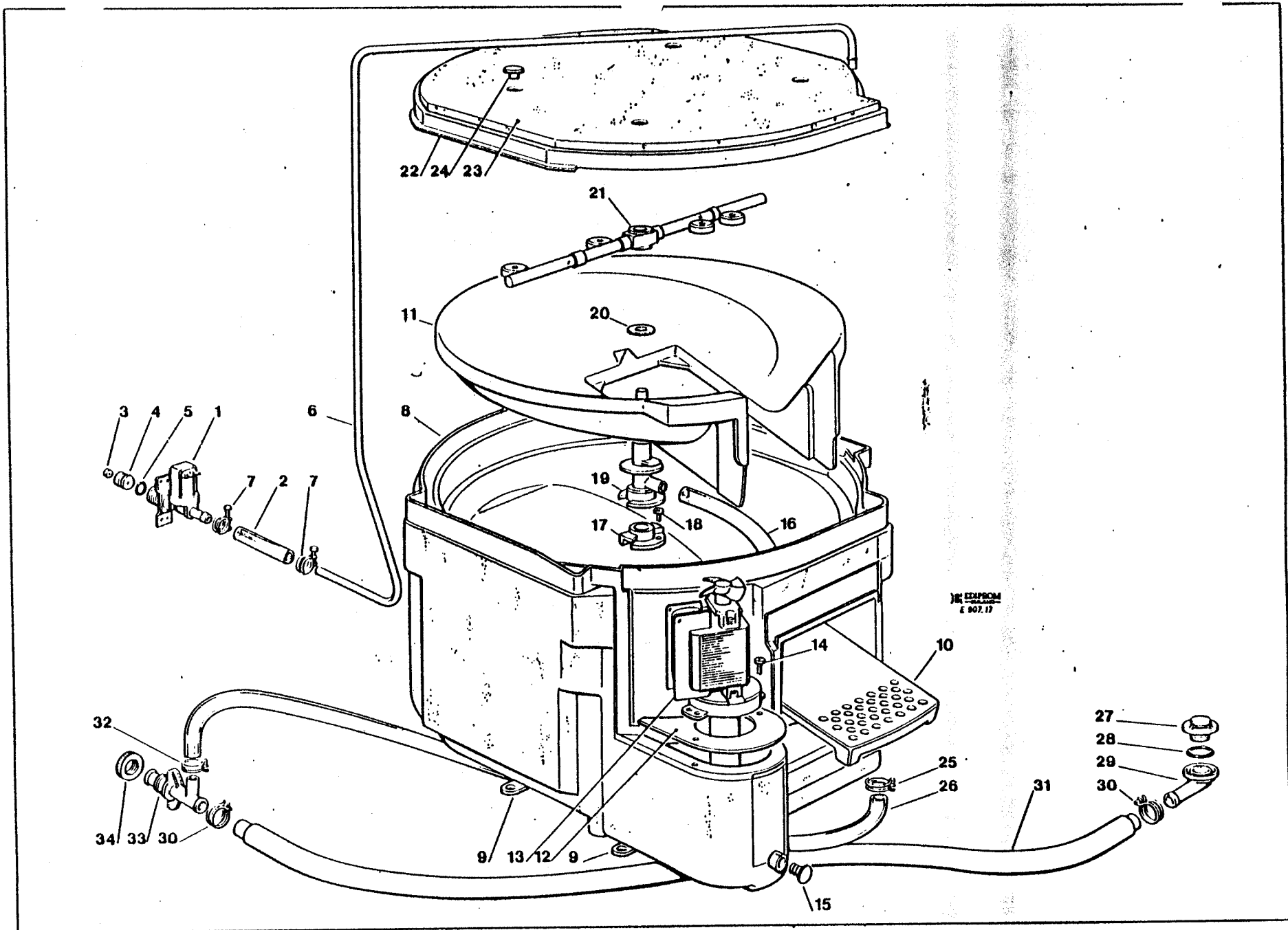
ITEM NO POS NO REP. NO REF. NO	PART NO CODICE REFERENCE STUECK NR	DESCRIPTION	DESCRIZIONE	DESIGNATION	BESCHREIBUNG
1	670076 10	COMPRESSOR ASSY	ASSIEME COMPRESSORE	ENSAMBLE COMPRESSEUR	KOMPRESSOR
2	420002 07	SCREW	VITE	VIS	SCHRAUBE
3	440084 00	WASHER	RONDELLA	RONDELLE	SCHEIBE
4	650029 03	METAL CLIP	DADO IN GABBIA	ECROU	MUTTER
5	620058 44	PROTECTOR	PROTETTORE	PROTECTEUR	SCHUTZGERAT
6	420000 22	SCREW	VITE	VIS	SCHRAUBE
7	440026 00	WASHER	RONDELLA	RONDELLE	SCHEIBE
8	620167 21	RUN CAPACITOR	CONDENSATORE DI MARCIA	CAPACITÉ PERMANENCE	BETRIEB KONDENSATOR
9	620168 11	RELAY	RELE D'AVVIAMENTO	RELAIS	RELAIS
10	620167 22	START CAPACITOR	CONDENSATORE D'AVVIAMENTO	CAPACITÉ DE DEMARRAGE	START KONDENSATOR
11	650029 03	METAL CLIP	DADO IN GABBIA	ECROU	MUTTER
12	650109 00	VALVE BODY	CORPO VALVOLA	CORPS DE VANNE	VENTILGEHAUSE
13	670012 00	VALVE PISTON	PISTONCINO VALVOLA	PISTON	VENTILKOLBEN
14	650106 00	VALVE CAP	CAPPUCCIO VALVOLA	CAPUCHON DE VANNE	VENTILKLAPPE
15	620353 00	AIR COOLED CONDENSER	CONDENSATORE AD ARIA	CONDENSEUR A AIR	LUFT KONDENSATOR
16	420000 23	SCREW	VITE	VIS	SCHRAUBE
17	440084 00	WASHER	RONDELLA	RONDELLE	SCHEIBE
18	650029 03	METAL CLIP	DADO IN GABBIA	ECROU	MUTTER
19	620233 00	FAN MOTOR	MOTORE VENTILATORE	MOTEUR DU VENTILATEUR	LUFTER MOTOR
20	620000 00	FAN BLADE	VENTOLA	HELICE	FLUEGEL
21	420000 22	SCREW	VITE	VIS	SCHRAUBE
22	440026 00	LOCK WASHER	RONDELLA DENTATA	RONDELLE	SCHEIBE
23	440084 00	WASHER	RONDELLA	RONDELLE	SCHEIBE
24	650029 03	METAL CLIP	MADREVITE	ECROU	MUTTER
25	670006 01	DRIER	FILTRO DEUMIDIFICATORE	FILTRE DESHYDRATEUR	TROCKNER
26	620306 31 620306 28	HOT GAS VALVE ASSY HOT GAS VALVE COIL	ASSIEME VALVOLA GAS CALDO BOBINA VALVOLA GAS CALDO	ENSAMBLE VANNE GAZ CHAUD BOBINE VANNE GAZ CHAUD	HEISSGAZ VENTIL HEISSGAZ VENTIL SPULE
27	784345 02 784346 02 784347 02	EVAPORATOR ASSY-ACL EVAPORATOR ASSY-ACM EVAPORATOR ASSY-ACS	ASSIEME EVAPORATORE-ACL ASSIEME EVAPORATORE-ACM ASSIEME EVAPORATORE-ACS	ENSAMBLE ÉVAPORATEUR-ACL ENSAMBLE ÉVAPORATEUR-ACM ENSAMBLE ÉVAPORATEUR-ACS	VERDAMPFER-ACL VERDAMPFER-ACM VERDAMPFER-ACS
28	784381 03	SUCTION LINE/ACCUMULATOR	ACCUMUL. E LINEA ASPIRAZIONE	ENS. ASPIRATION/ACCUMULATEUR	SAMMLER UND SAUGLEITUNGEN



IN KEEPHOM
E 907.10

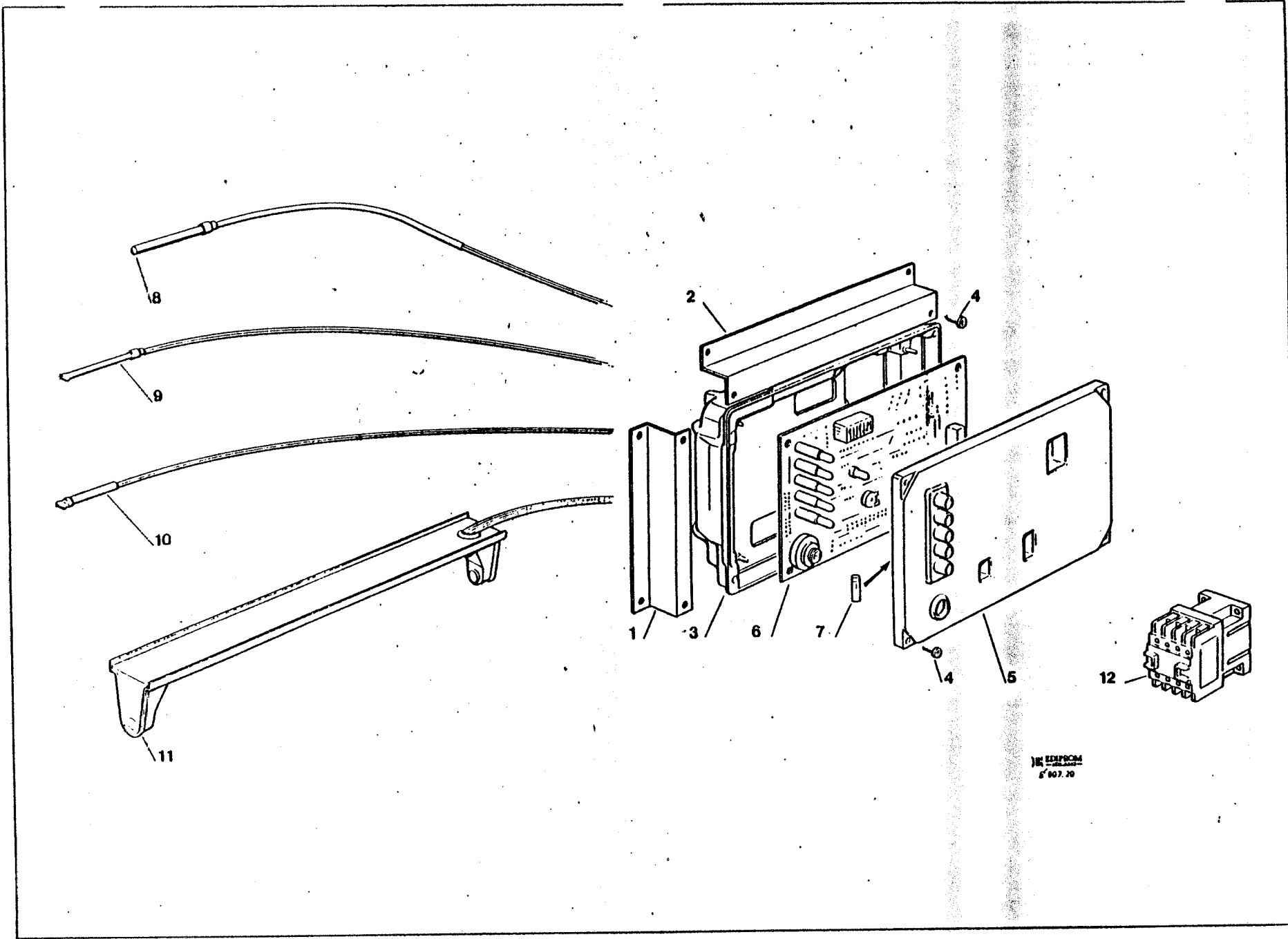
**AC 225 - REFRIGERANT SYSTEM WATER COOLED - SISTEMA REFRIGERANTE RAFFR. AD ACQUA
CIRCUIT FRIGORIFIQUE REFROID. PAR EAU - WASSERGEKÜHLT GEFRIERSYSTEM**

ITEM NO POS NO REP. NO REF. NO	PART NO CODICE REFERENCE STUECK NR	DESCRIPTION	DESCRIZIONE	DESIGNATION	BESCHREIBUNG
1	670076 10	COMPRESSOR ASSY	ASSIEME COMPRESSORE	ENSAMBLE COMPRESSEUR	KOMPRESSOR
2	420002 07	SCREW	VITE	VIS	SCHRAUBE
3	440084 00	WASHER	RONDELLA	RONDELLE	SCHEIBE
4	650029 03	METAL CLIP	DADO IN GABBIA	ECROU	MUTTER
5	620058 44	PROTECTOR	PROTETTORE	PROTECTEUR	SCHUTZGERAT
6	420000 22	SCREW	VITE	VIS	SCHRAUBE
7	440026 00	WASHER	RONDELLA	RONDELLE	SCHEIBE
8	620167 21	RUN CAPACITOR	CONDENSATORE DI MARCIA	CAPACITÉ PERMANENCE	BETRIEB KONDENSATOR
9	620168 11	RELAY	RELE D'AVVIAMENTO	RELAIS	RELAIS
10	620167 22	START CAPACITOR	CONDENSATORE D'AVVIAMENTO	CAPACITÉ DE DEMARRAGE	START KONDENSATOR
11	650029 03	METAL CLIP	DADO IN GABBIA	ECROU	MUTTER
12	650109 00	VALVE BODY	CORPO VALVOLA	CORPS DE VANNE	VENTILGEHAUSE
13	670012 00	VALVE PISTON	PISTONCINO VALVOLA	PISTON	VENTILKOLBEN
14	650106 00	VALVE CAP	CAPPUCCIO VALVOLA	CAPUCHON DE VANNE	VENTILKLAPPE
15	620331 00	WATER COOLED CONDENSER	CONDENSATORE AD ACQUA	CONDENSEUR A EAU	WASSER KONDENSATOR
16	420000 23	SCREW	VITE	VIS	SCHRAUBE
17	650029 03	METAL CLIP	MADREVITE	ECROU	MUTTER
18	400053 00	NUT	DADO	ECROU	MUTTER
19	400031 01	FIBER WASHER	RONDELLA IN FIBRA	RONDELLE EN FIBRE	FIBER SCHEIBE
20	733204 00	WATER INLET FITTING	RACCORDO INGRESSO ACQUA	RACCORD ARRIVÉE EAU	WASSEREINLAUFROHR
21	620111 00	WATER REGULATING VALVE	VALVOLA PRESSOSTATICA	VANNE REG. EAU PRESSOSTATIQUE	WASSERREGULIERUNGVENTIL
22	733173 00	WATER OUTLET FITTING	PORTAGOMMA	RACCORD SORTIE EAU	VENTIL SCHLAUCH
23	281900 03	PLASTIC TUBE-PER METER	TUBO IN PLASTICA-PER METRO	TUYAU EN PLASTIQUE-POUR METER	PLASTIK ROHR-PRO METER
24	460017 00	CLAMP	FASCETTA	COLLIER	SCHELLE
25	281900 03	PLASTIC TUBE-PER METER	TUBO IN PLASTICA-PER METRO	TUYAU EN PLASTIQUE-POUR METER	PLASTIK ROHR-PRO METER
26	460017 00	CLAMP	FASCETTA	COLLIER	SCHELLE
27	660291 00	3/4 GAS WATER DRAIN FITTING	SCARICO ACQUA DA 3/4 GAS	RACCORD EVACUATION 3/4 GAS	3/4 GAS SCHLAUCH
28	400030 01	NUT	DADO	ECROU	MUTTER
29	400031 00	FIBER WASHER	RONDELLA IN FIBRA	RONDELLE EN FIBRE	FIBER SCHEIBE
30	670006 01	DRIER	FILTRO DEUMIDIFICATORE	FILTRE DESHYDRATEUR	TROCKNER
31	620306 31 620306 28	HOT GAS VALVE ASSY HOT GAS VALVE COIL	ASSIEME VALVOLA GAS CALDO BOBINA VALVOLA GAS CALDO	ENSAMBLE VANNE GAZ CHAUD BOBINE VANNE GAZ CHAUD	HEISSGAZ VENTIL HEISSGAZ VENTIL SPULE
32	784345 02 784346 02 784347 02	EVAPORATOR ASSY-ACL EVAPORATOR ASSY-ACM EVAPORATOR ASSY-ACS	ASSIEME EVAPORATORE-ACL ASSIEME EVAPORATORE-ACM ASSIEME EVAPORATORE-ACS	ENSAMBLE ÉVAPORATEUR-ACL ENSAMBLE ÉVAPORATEUR-ACM ENSAMBLE ÉVAPORATEUR-ACS	VERDAMPFER-ACL VERDAMPFER-ACM VERDAMPFER-ACS
33	784381 03	SUCTION LINE/ACCUMULATOR	ACCUMUL. E LINEA ASPIRAZIONE	ENS. ASPIRATION/ACCUMULATEUR	SAMMLER UND SAUGLEITUNGEN



AC 225 - WATER SYSTEM - CIRCUITO IDRAULICO - CIRCUIT HYDRAULIQUE - WASSER SYSTEM

ITEM NO POS NO REF. NO	PART NO CODICE REFERENCE STUECK NR	DESCRIPTION	DESCRIZIONE	DESIGNATION	BESCHREIBUNG
1	650105 00	WATER INLET VALVE	VALVOLA INGRESSO ACQUA	VANNE ARRIVÉE D'EAU	WASSEREINLAUFVENTIL
2	281900 04	PLASTIC TUBE-PER METER	TUBO IN PLASTICA-PER METRO	TUYAU EN PLASTIQUE-POUR METRE	PLASTIK ROHR-PRO METER
3	640022 00	FLOW CONTROL	CONTROLLO DI FLUSSO	CONTROLE DE DEBIT	DURCHFLOSSREGLER
4	733185 00	FLOW CONTROL BODY	CORPO CONTROLLO DI FLUSSO	CORPS CONTROLE DE DEBIT	DURCHFLOSSREGLERGEHAUSE
5	640110 00	O RING	GUARNIZIONE O R	JOINT TORIQUE	SIMMER RING
6	784319 02	WATER INLET TUBE - COPPER	TUBO RAME INGRESSO ACQUA	TUYAU EN CUIVRE ARRIVÉE EAU	WASSEREINLAUFROHR-CUPFER
7	460017 00	CLAMP	FASCETTA	COLLIER	KLEMME
8	784244 00	SUMP & FREEZING CHAMBER	INVOLUCRO EVAPORATORE	ENCEINTE ÉVAPORATEUR	VERDAMPFER GEHAUSE
9	660489 00	EVAPORATOR BRACKET	SUPPORTO EVAPORATORE	SUPPORT EVAPORATEUR	VERDAMPFER TRÄGEN
10	660488 00	REMOVABLE INNER BOTTOM	SCIVOLO INTERNO AMOVIBILE	PLAQUE CHUTE DEMONTABLE	INNERESCHUTE
11	660487 00	INNER BOTTOM & CHUTE	FONDO & SCIVOLO MOBILE	PLAQUE DE FOND ET CHUTE	INNERE BASIS UND SCHUTZ
12	723132 01	METAL BRACKET	SUPPORTO IN METALLO	PLAQUE SUPPORT POMPE	WASSERPUMPENPLATTE
13	670002 12	WATER PUMP ASSY	ASSIEME POMPA	ENSAMBLE POMPE A EAU	WASSER PUMPE
14	470026 00	SCREW	VITE	VIS	SCHRAUBE
15	650550 00	PLASTIC PLUG	TAPPO IN PLASTICA	BOUCHON EN PLASTIQUE	PLASTIKSTOPFEN
16	743113 02	PLASTIC TUBE	TUBO IN PLASTICA	TUYAU EN PLASTIQUE	PLASTIKROHR
17	660483 00	JET BEARING FLANGE	FLANGIA RACCORDO CENTRALE	BRIDE AXE PALIER DE RAMPE	FLANSCH ZENTRALVERBINDUNG
18	420014 05	SCREW	VITE	VIS	SCHRAUBE
19	660475 00	JET BEARING	RACCORDO CENTRALE	AXE PALIER DE RAMPE	SPRITZWELLEN AXE
20	440013 06	THRUST WASHER	RONDELLA DI RASAMENTO	RONDELLE	SCHEIBE
21	793127 00	SPRAY BAR	BARRA SPRUZZANTE	RAMPE PULVERISATION EAU	SPRITZWELLE
22	660491 00	EVAPORATOR COVER	COPERCHIO EVAPORATORE	COUVERCLE ÉVAPORATEUR	VERDAMPFER DECKEL
23	650538 00	INSULATION	ISOLAMENTO	ISOLATION	ISOLIERUNG
24	660419 00	PLASTIC PLUG	TAPPO IN PLASTICA	BOUCHON EN PLASTIQUE	PLASTIKVERSTOPF
25	460004 00	CLAMP	FASCETTA	COLLIER	SHELLE
26	610171 00	SUMP DRAIN TUBE	TUBO SCARICO ACQUA SERBATOIO	TUYAU ÉVACUATION RESERVOIRE	WASSERABFLUSSROHR
27	660211 01	BIN DRAIN STRAINER	FILTRO SCARICO CONTENITORE	FILTRE RACCORD ECOULEMENT	WASSER ABFLUSSFLITER
28	640134 00	O RING	GUARNIZIONE O R	JOINT TORIQUE	SIMMER RING
29	660213 01	ELBOW FITTING	RACCORDO A GOMITO	RACCORD D'ECOULEMENT COUDE	WASSER ABFLUSS-SPEICHER
30	460004 00	CLAMP	FASCETTA	COLLIER	SHELLE
31	610159 04	BIN DRAIN TUBE	TUBO SCARICO CONTENITORE	TUYAU ÉVACUATION EAU	WASSERABFLUSSROHR
32	460001 00	CLAMP	FASCETTA	COLLIER	SHELLE
33	660224 00	WATER DRAIN FITTING	RACCORDO SCARICO ACQUA	RACCORD ÉVACUATION EAU	WASSERABFLUSSANSCHLUSSE
34	660535 00	PLASTIC RING NUT	GHIERA IN PLASTICA	COLLIER DE SERRAGE EN PLASTIQUE	PLASTIKRINGMUTTER



REDAFSCM
8'007.20

**AC 225 - P.C. BOARD AND SENSOR ASSY - SCHEDA ELETTRONICA E SENSORI - ENS. CARTE ELECTRIQUE ET DETECTEURS
ELEKTRONISCHE KARTE UND TEMPERATURFUEHLERENHEIT**

ITEM NO POS NO REP. NO REF. NO	PART NO CODICE REFERENCE STUECK NR	DESCRIPTION	DESCRIZIONE	DESIGNATION	BESCHREIBUNG
1	725022 01	METAL BRACKET	SUPPORTO IN METALLO	SUPPORT METALLIQUE	METALLTRÄGER
2	725022 00	METAL BRACKET	SUPPORTO IN METALLO	SUPPORT METALLIQUE	METALLTRÄGER
3	660546 00	PLASTIC CONTROL BOX	SCATOLA ELETTRICA	BOITE ELECTRIQUE	SCHALTSCHRANK
4	470088 00	SCREW	VITE	VIS	SCHRAUBE
5	660547 00	CONTROL BOX COVER	COPERCHIO SCATOLA ELETTRICA	COUVERCLE BOITE DE COMMANDE	SCHALTSCHRANK DECKEL
6	620403 01 620403 12	P. C. BOARD ASSY P. C. BOARD ASSY	ASSIEME SCHEDA ELETTRONICA ASSIEME SCHEDA ELETTRONICA	ENSAMBLE CARTE ELECTRONIQUE ENSAMBLE CARTE ELECTRONIQUE	GEDRUCKTE SCHALTUNG GEDRUCKTE SCHALTUNG
7	630015 09	FUSE	FUSIBILE	FUSIBLE	SCHMELZSICHERUNG
8	620404 10	EVAPORATOR TEMP. SENSOR	SENSORE TEMP. EVAPORATORE	CAPTEUR TEMP. ÉVAPORATEUR	VERDAMPFERTEMPERATURFUEHLER
9	620404 01	CONDENSER TEMP. SENSOR	SENSORE TEMP. CONDENSATORE	CAPTEUR TEMP. CONDENSEUR	KONDENSATORTEMPERATURFUEHLER
10	620404 02	AMBIENT TEMP. SENSOR	SENSORE TEMP. AMBIENTE	CAPTEUR TEMP. AMBIANCE	RAUMTEMPERATURFUEHLER
11	783167 01	ICE LEVEL CONTROL ASSY	ASS. CONTR. LIVELLO GHIACCIO	ENS. DETECTEUR NIVEAU GLACE	EISNIVEAUFUEHLEREINHEIT
12	630119 00	CONTACTOR	TELERUTTORE	CONTACTEUR	SCHALTSCHÜTZ
		* FROM S.N. 40981	* DAL NR. SR. 40981	* A PARTIR DU N.S. 40981	* VON S.N. 40981

AC 225 - COMPRESSOR CHART - TABELLA COMPRESSORI - TABLEAU COMPRESSEUR - KOMPRESSOR KARTE

MODEL MODELLO MODELE MODELL	VOLTS TENSIONE TENSION SPANNUNG	COMPRESSOR MODEL MOD. COMPRESSORE TYPE COMPRESSEUR KOMPRESSOR TYP	COMPRESSOR COMPRESSORE COMPRESSEUR KOMPRESSOR	RELAY RELÉ RÉLAIS RELAIS	PROTECTOR PROTETTORE PROTECTEUR SCHUTZGERAT	START CAPACITOR CAPACITA D'AVV. CAPACITE DE DEMARRAGE START KONDENSATOR	RUN CAPACITOR CAPACITA DI MARCIA CAPACITE PERMANENCE BETRIEB KONDENSATOR
AC 225	115/60/1	U.H. AJ 5512 E	670076 15	620168 14	620058 53	620167 22	620167 19
AC 225	230/60/1	U.H. AJ 5512 E	670076 14	620168 16	620058 52	620167 22	620167 21
AC 225	220/50/1	U.H. AJ 5512 E	670076 10	620168 11	620058 44	620167 22	620167 21

AC 225 - ELECTRIC COMPONENTS CHART - TABELLA COMPONENTI ELETTRICI
TABLEAU COMPOSANTS ELECTRIQUE - ELEKTRISCHEKARTE

MODEL MODELLO MODELE MODELL	VOLTS TENSIONE TENSION SPANNUNG	CONTACTOR TELERUTTORE CONTACTEUR SCHALTSCHÜTZ	WATER PUMP POMPA POMPE A EAU WASSER PUMPE	FAN MOTOR ONLY MOTORE VENTILATORE MOTEUR VENTILATEUR LUFTER MOTOR	WATER INLET VALVE VALV. INGR. ACQUA V.E.M. ARRIVÉE EAU WASSEREIN.VENTIL	HOT GAS VALVE COIL BOBINA VALVOLA GAS CALDO BOBINE V.E.M. GAZ CHAUDS HEISSGAZ VENTIL SPULE	P.C. BOARD SCHEDE ELETTRONICA CARTE ELECTRONIQUE ELEKTRONISCHE KARTE
AC 225	115/60/1	630124 07	670002 13	620233 01	650105 03	620306 17	620403 02
AC 225	230/60/1	630119 00	670002 14	620233 02	650105 00	620306 28	620403 01
AC 225	220/50/1	630119 00	670002 12	620233 00	650105 00	620306 28	620403 01