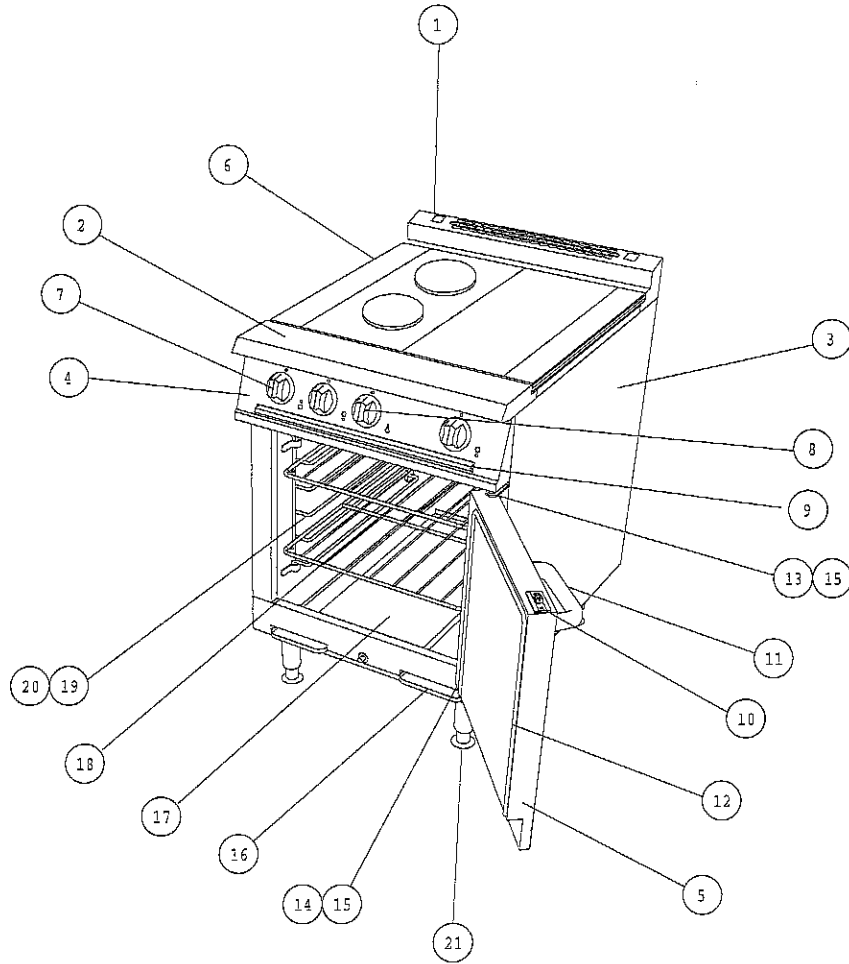
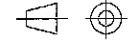


IF IN DOUBT ASK!!

DO NOT SCALE !!

First Angle Projection



E2161 FITMENTS

Part No	Spares No	Description
1	535480070	Rear hob rail
2	535480071	Front hob rail
3	535480048	Outer Side Panel
4	731040000	Control panel
5	535480078	Door assy
6	730963121	Side Drip Shed
7	731000002	Control Knob (hob)
8	731000003	Control Knob (Oven)
9	535480073	Hob Drip Tray
10	535480054	Door Catch
11	535480055	Door Handle
12	731402180	Door seal
13	535480060	Top door hinge
14	535480061	Bottom door hinge
15	535480077	Door hinge bush
16	731402240	Oven Drip tray
17	731402250	Oven bottom plate
18	731402230	Oven Shelf
19	730963190	Oven Shelf hanger
20	730963200	Oven Shelf hanger bracket
21	730963050	Adjustable Leg

All Dimensions in millimetres, Tolerance- Linear $\pm 0.5\text{mm}$ Angular $\pm 0.5^\circ$ (or as stated)

A	1004	ISSUED FOR PRODUCTION		I. HAMILTON	08-03-04
Issue	Mod No.	Alteration	Zone	Drawn by	Date



No reproduction or publication of this drawing may be made and no article may be manufactured or assembled in accordance with this drawing without prior written consent. This prohibition is a term of any contract relating to this drawing. Rights reserved under the Copyright Act 1955 as amended by the Design Copyright Act 1968.

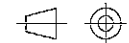
This part is common to the following units

Drawn	I. HAMILTON	Product	E2161 RANGE	
Date	08-03-04	Title	E2161 FITMENTS SPARES INFO	
Scale		Matl.		
No. off		Finish		
Bin No.		Kraus No.	T111408	
Drawing Number			AA42407	Issue
				A

IF IN DOUBT ASK!!

DO NOT SCALE !!

First Angle Projection



E2161 CONTROLS

Item	Spares No.	Description
1	731400010	Rectangular Hotplate Assembly
2	731400110	Rectangular Hotplate Casting
3	731400040	Element Outer
4	731400030	Element Intermediate
5	731400020	Element Inner
6	730960150	Element Clamp Plate
7	730964060	Hotplate Lagging Box
8	731400100	Round Hotplate Assembly
9	730960101	Round Hotplate Casting
10	730960110	Hotplate Assembly
11	731400050	Hotplate
12	730960115	Fixing Bracket
13	730964160	Cover Plate
14	730960116	Seal for Round Hotplate (not shown)
15	731402080	Oven Thermostat
16	731000004	Oven Thermostat c/w Knob
17	731000003	Oven Thermostat Knob Only
18	731400070	6 Position Switch
19	731000005	6 Position Switch c/w Knob
20	731000002	6 Position Switch Knob Only
21	731402050	Oven Top Element
22	731402060	Oven Bottom Element
23	730962062	Element Support Bracket
24	730960112	Terminal Block Porcelain
25	731000006	Terminal Block Incoming
26	731000007	Neon Amber
27	731000008	Neon Red

All Dimensions in millimetres, Tolerance- Linear $\pm 0.5\text{mm}$ Angular $\pm 0.5^\circ$ (or as stated)

Drawn	I. HAMILTON	Product	E2161 RANGE	
Date	19-01-04	Title	E2161 CONTROLS SPARES INFO	
Scale				
Mat.		Drawing Number	AA42408	Issue
No. off		Finish		A
Bin No.		Kraus No.	T111409	

A	1004	ISSUED FOR PRODUCTION		I. HAMILTON	05-03-04
Issue	Mod No.	Alteration	Zone	Drawn by	Date

This part is common to the following units

© No reproduction or publication of this drawing may be made and no article may be manufactured or assembled in accordance with this drawing without prior written consent. This prohibition is a term of any contract relating to this drawing. Rights reserved under the Copyright Act 1956 as amended by the Design Copyright Act 1968.

