

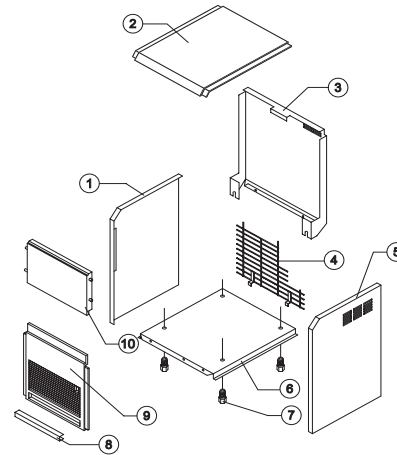


# CB 184

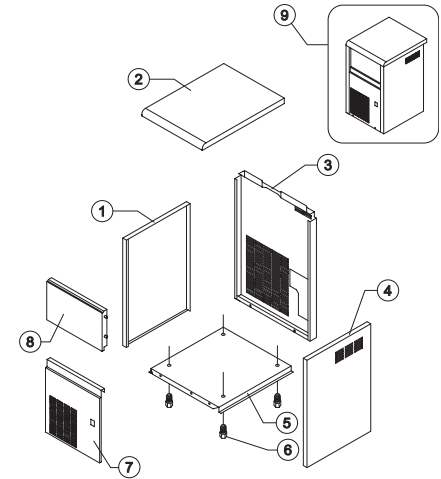
# LIST OF THE EXPLODED VIEWS



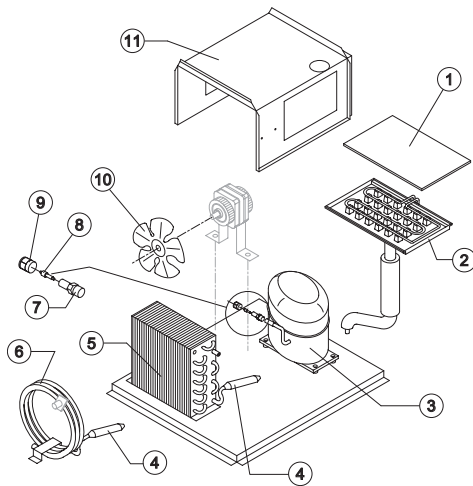
## SHELL - ABS



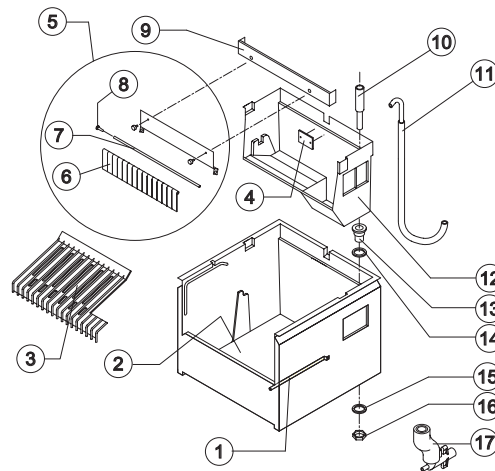
## SHELL - STAINLESS STEEL



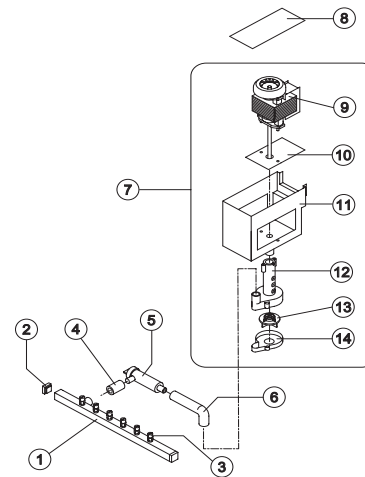
## COOLING SYSTEM



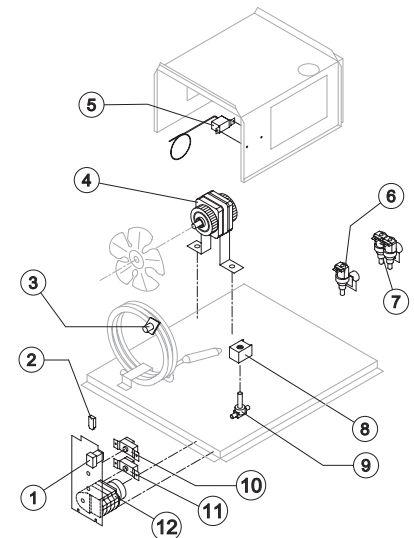
## HYDRAULIC CIRCUIT



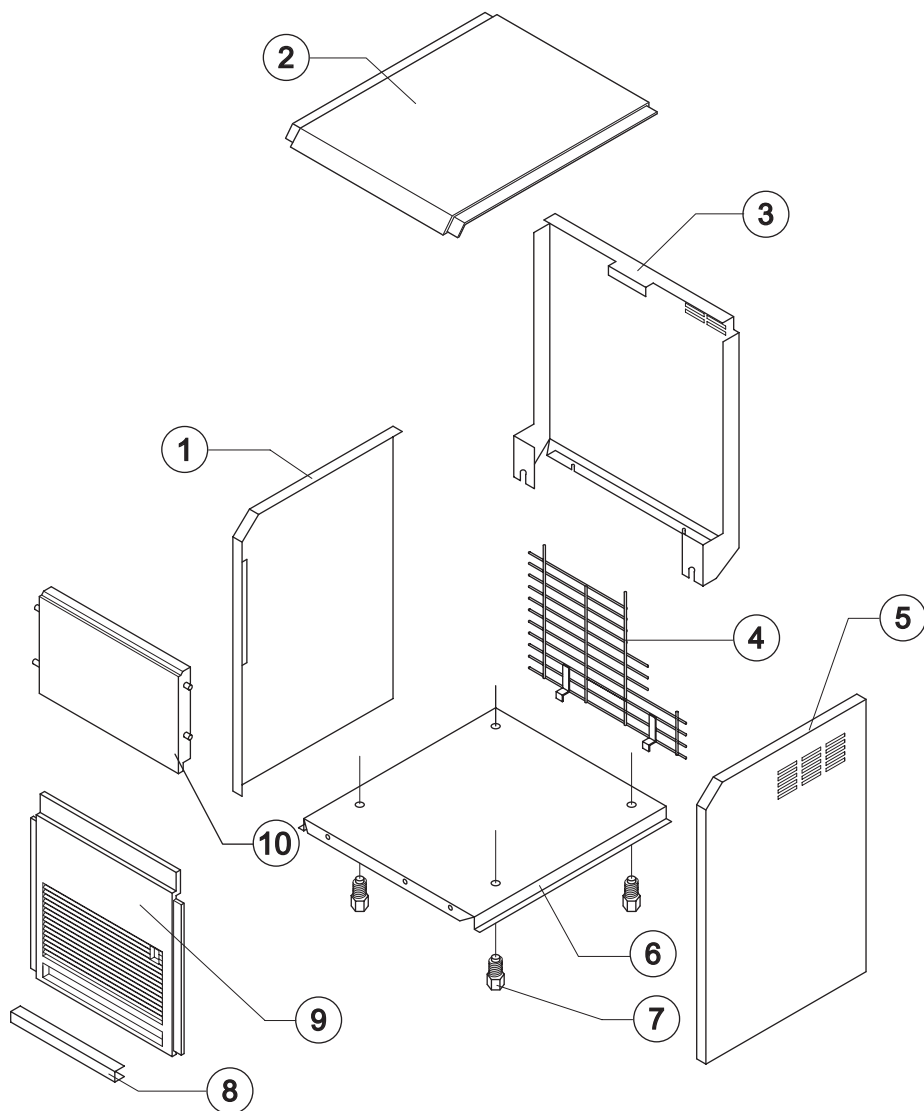
## SPRAYER PUMP



## ELECTRIC PARTS



Rev. 1 - 12/6/2002



### Panels - Blue Version

Ref.	Spare Description	Code
1	Left Side	10061
2	Top	10062
5	Right Side	10060
8	Screws Cover	10069
9	Front Grid Panel	10063
10	Door	10081

### Panels - Grey Version

Ref.	Spare Description	Code
1	Left Side	10105
2	Top	10102
5	Right Side	10099
8	Screws Cover	10098
9	Front Grid Panel	10101
10	Door	10103

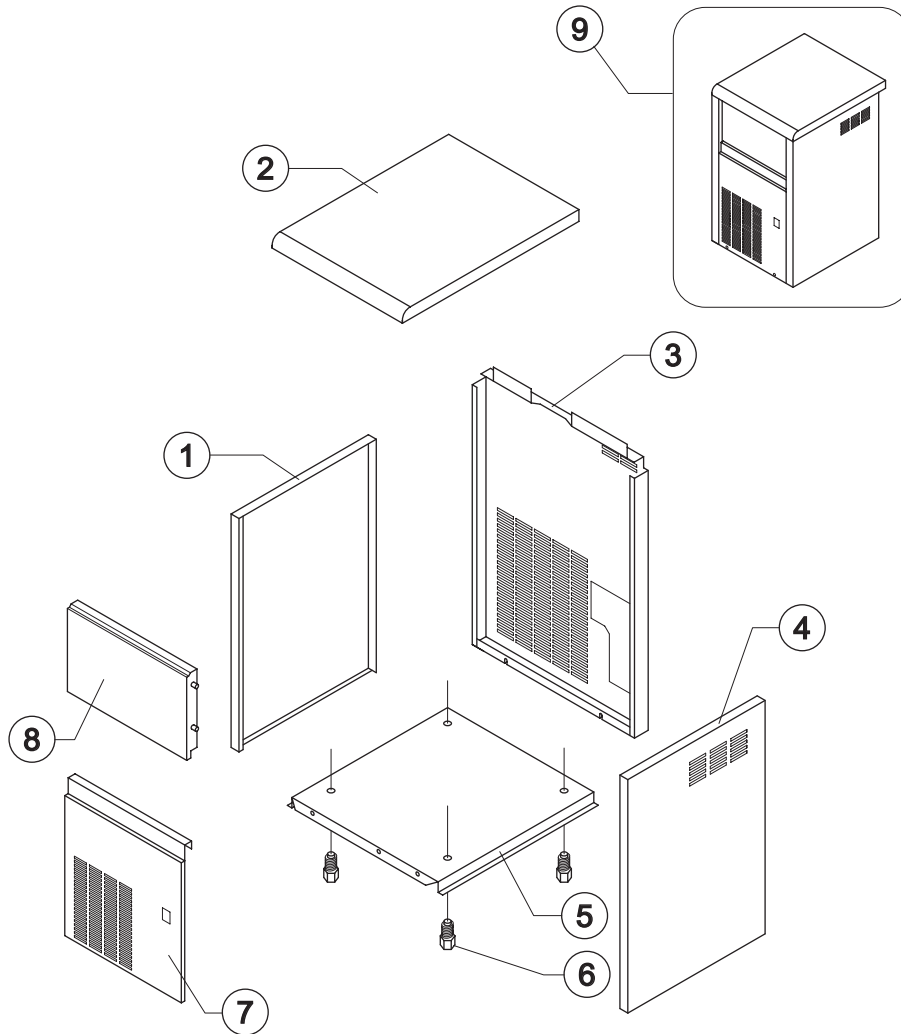
### Common Finishes

Ref.	Spare Description	Code
3	Back Panel	21064
4	Back Grid	D12028
6	Base Plate	21062
7	Foot	10017



# CB 184

# SHELL - STAINLESS STEEL



## Version With Modular Panels

Ref.	Spare Description	Code
1	Left Panel	22713
2	Top	C22714
3	Back Panel	21235
4	Right Panel	22712
5	Base Plate	21062
6	Foot	10017
7	Front Grid Panel	22700
8	Dark Grey Door	10277

## Version With Single Shell

Ref.	Spare Description	Code
3	Back Panel	21194
5	Base Plate	21062
6	Foot	10017
8	Dark Grey Door	10277
9	Single Shell	22505



The above version has been used till the s/n 102225. It has been then replaced by the version with modular panels.



### Common Parts

Ref.	Spare Description	Code
1	Evaporator Cover	10076
2	Evaporator	D10079
3	Compressor	See Table
4	Molecular Drier	14009
7	Vacuum-Charge Valve Body	14007
8	Vacuum-Charge Valve Device	14005
9	Vacuum-Charge Valve Plug	14006
11	Bin Support Saddle	22095

### Parts for Air-Cooled Version Only

Ref.	Spare Description	Code
5	Air Condenser	20094
10	Suction Fan	20095

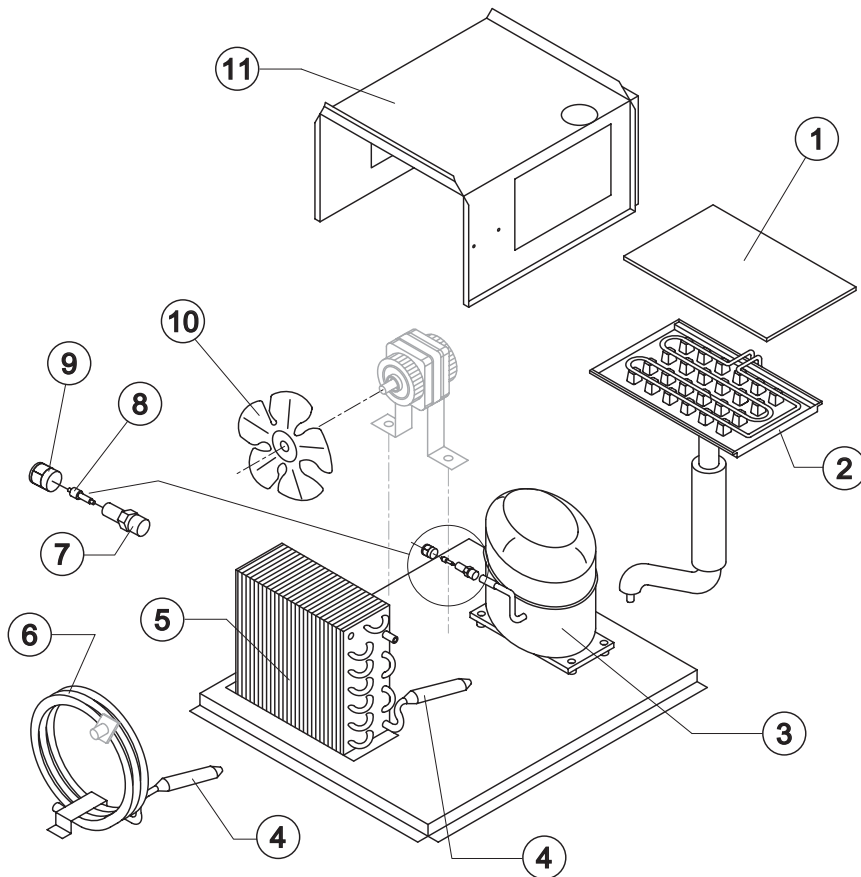
### Parts for Water-Cooled Version Only

Ref.	Spare Description	Code	
6	Water Condenser	Current Version	14348
6	Water Condenser	Till s/n 97386	14062
10	Suction Fan		10213

### Ref. 3 - Compressor

Tension	Refr. R404A	Refr. R22
220/240V 50 Hz	23436	23197
220/230V 60 Hz	23494	23346
110/115V 60 Hz	23446	23368

Rev. 1 - 12/6/2002





### Common Parts

Ref.	Spare Description	Code
1	Bulbe thermostat Tube	Current Version
1	Bulbe thermostat Tube	Till s/n 94124
2	Foamed Bin	11016/E
3	Ice Cubes Slide	10136
4	Slide Keep Plate	10142
5	Flags Support Assy	C22106
6	Flag	10005
7	Flags Rod	12029
8	Flags Rod Clip	10010
9	Evaporator Holder	22097
10	Overflow Pipe	13028
11	Evaporator's Feeding Pipe Assy	C20535
12	Inner Basin	10064
13	Plastic Nipple Water Outlet	10007
14	Silicone Gasket	13006
15	Semirigid Polyethylene Gasket	13007
16	Bin Discharge Nut	10096

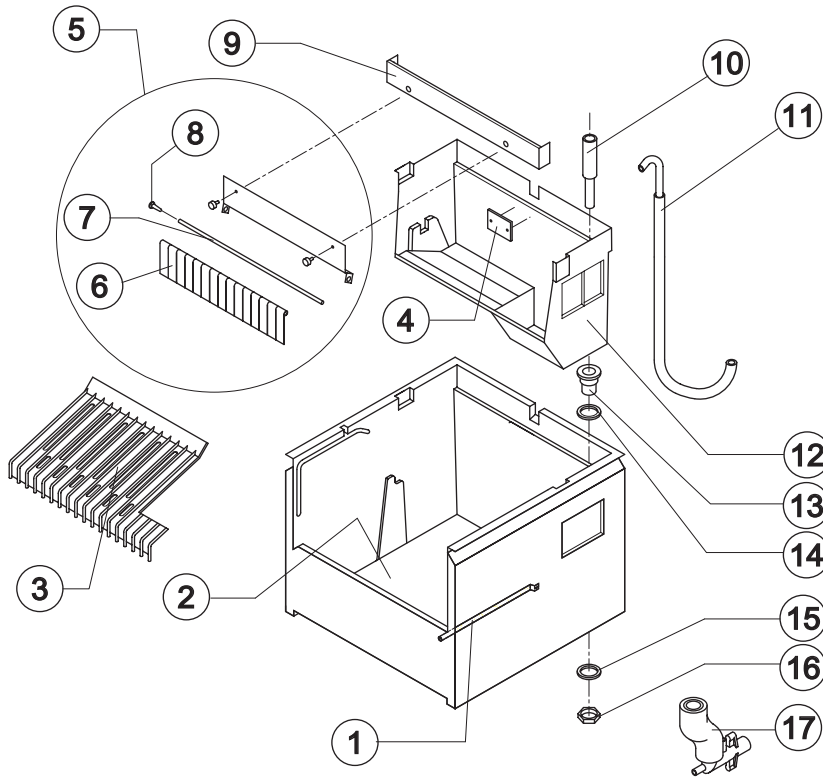
### Parts for Air-Cooled Version Only

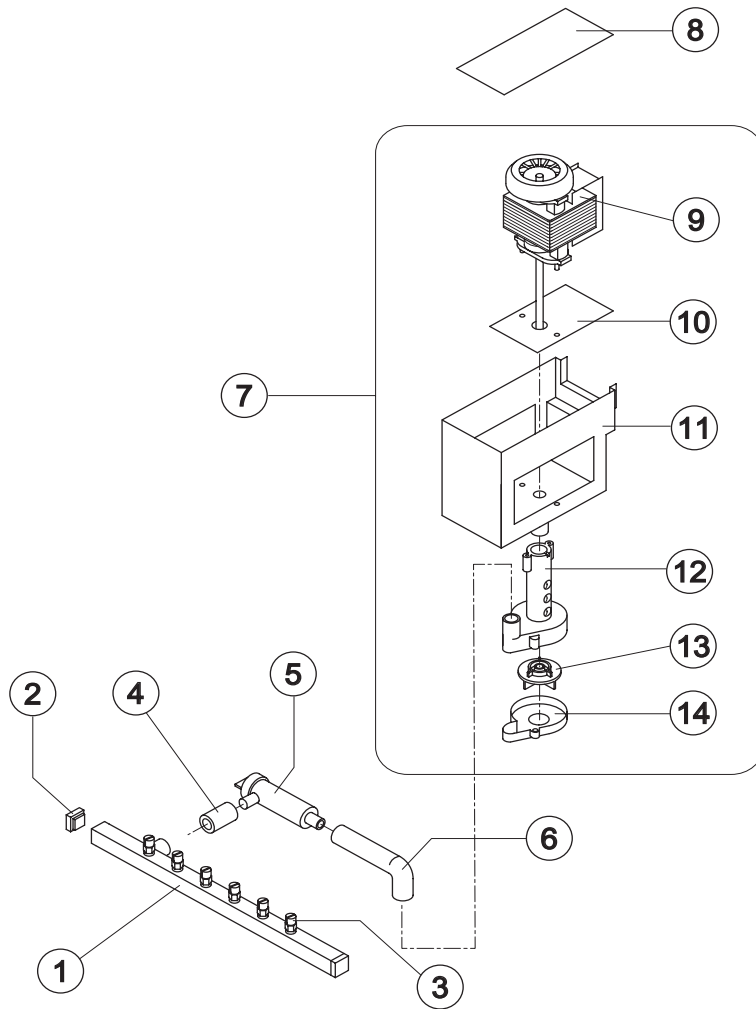
Ref.	Spare Description	Code
17	Discharges Manifold	C10006

### Parts for Water-Cooled Version Only

Ref.	Spare Description	Code
17	Discharges Manifold	C26452

Rev. 1 - 12/6/2002





Ref.	Spare Description	Code
1	Sprayers Bar Assembly	C20147
2	Sprayers Bar Plug	10012
3	Sprayer	D20002
4	Filter-Sprayers Bar Connection Pipe	13056
5	Pump Filter	10139
6	Pump-Filter Connection Pipe	13055
7	Pump Assy	See Table
8	Pump Cover	22096
9	Pump Motor	See Table
10	Heat Dissipator	22430
11	Pump Motor Container	10073
12	Pump Body	10065
13	Pump Impeller	10066
14	Diffuser	10067

### Ref. 7 - Pump Assy

Tension	Code
220/240V 50 Hz	C23076
220/230V 60 Hz	C23270
110/115V 60 Hz	C23271

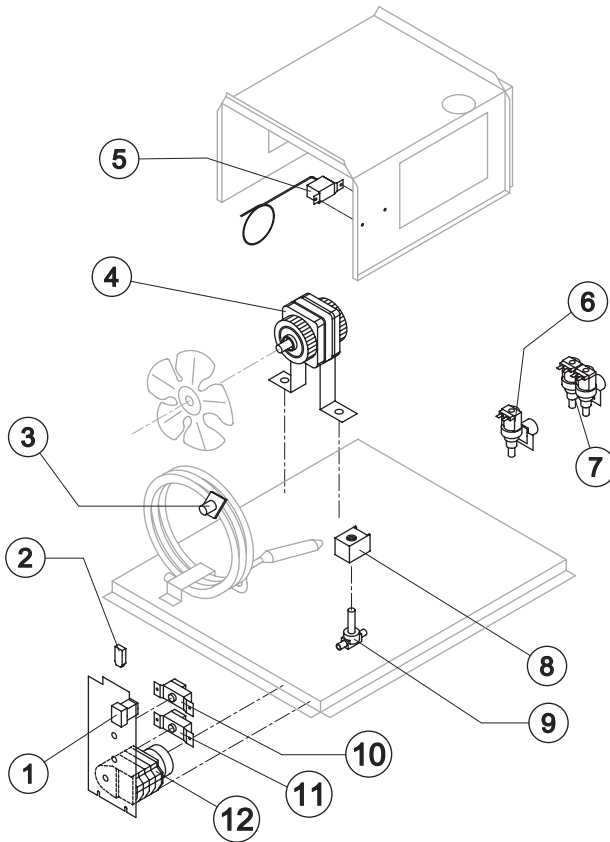
### Ref. 9 - Pump Motor

Tension	Code
220/240V 50 Hz	23073
220/230V 60 Hz	23187
110/115V 60 Hz	23188



# CB 184

# ELECTRIC PARTS



### Common Parts

Ref.	Spare Description	Code
1	Switch On-Off (Green Color)	23078
4	Fan Motor	See Table
8	Hot Gas Coil	See Table
9	Hot Gas Valve Body	20410
10	Bin Thermostat	23005
11	Evaporator Thermostat	23591
12	Timer	See Table

### Parts for Air-Cooled Version Only

Ref.	Spare Description	Code
6	Inlet Water Valve 1 Way	See Table

### Parts for Water-Cooled Version Only

Ref.	Spare Description	Code
2	Anti Radio Interference Filter	Only 220V 50 Hz
3	Safety Thermostat	C23114
5	Condenser Pressure Switch	23175
7	Inlet Water Valve 2 Ways	See Table

#### Ref. 4 - Fan Motor

Tension	Code
220/240V 50 Hz	23029
220/230V 60 Hz	23029
110/115V 60 Hz	23265

#### Ref. 6 - Inlet W. Valve 1 Way

Tension	Code
220/240V 50 Hz	23497
220/230V 60 Hz	23497
110/115V 60 Hz	23499

#### Ref. 7 - Inlet W. Valve 2 Ways

Tension	Code
220/240V 50 Hz	23498
220/230V 60 Hz	23498
110/115V 60 Hz	23500

#### Ref. 8 - Hot Gas Coil

Tension	Code
220/240V 50 Hz	23091
220/230V 60 Hz	23091
110/115V 60 Hz	23256

#### Ref. 12 - Timer

Tension	Code
220/240V 50 Hz	23247
220/230V 60 Hz	23247
110/115V 60 Hz	23258

Rev. 1 - 12/6/2002