

Marmita eléctrica a presión baño maría
Electric pressure and indirect boiling pans
Marmites électriques système bain-marie pression
Elektro druck-kochkessel indirekt beheizt
Pentole riscaldamento indiretto ed autoclave elettrico
Marmita eléctrica a pressão con banho-maria

GAMA 900

Modelos:

MPE9-10 BM

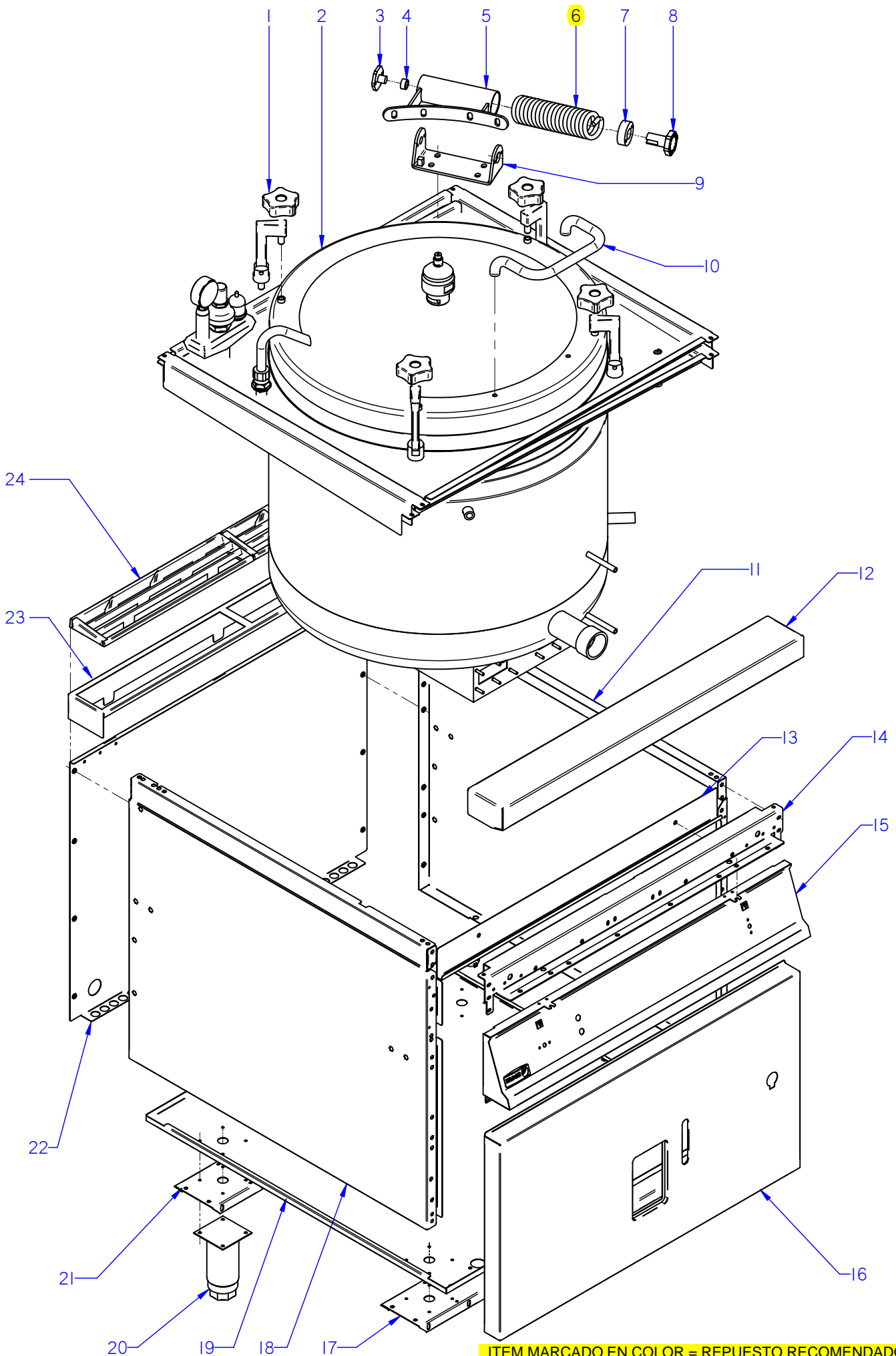
MPE9-15 BM

Marzo 2009 March

Revisado Mayo 2014 May Revised



F A G O R I N D U S T R I A L



ITEM MARCADO EN COLOR = REPUESTO RECOMENDADO
 COLOURED ITEM = RECOMMENDED SPARE PART

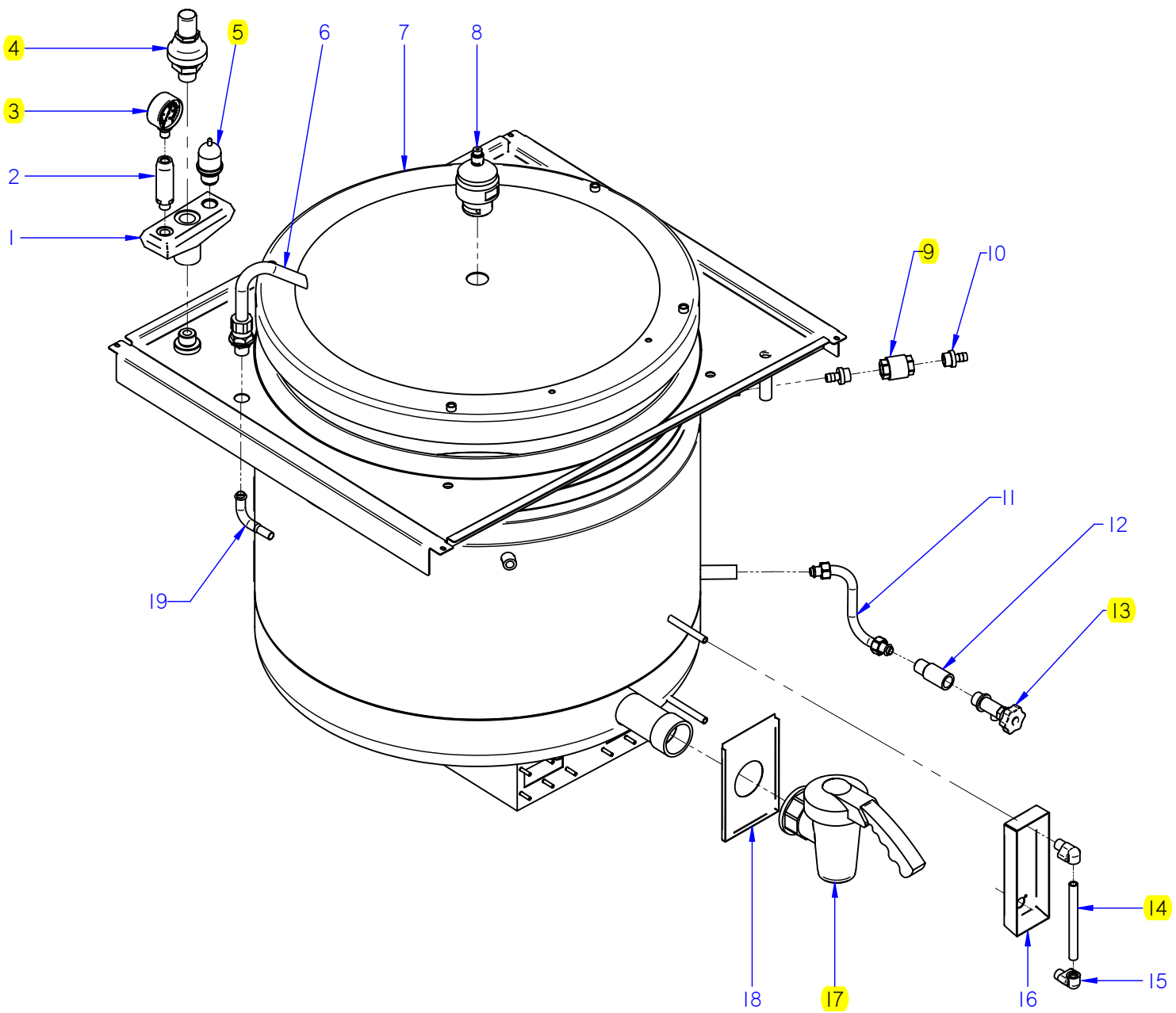
N plano	Firma	Fecha	Aparato	MUEBLE	Lamina	Fagor Industrial S.Coop. FAGOR
C-2275	<i>[Signature]</i>	2009-03	MARMITA MPE9-10 BM; 9-15 BM		1	Oñate

MOD.		MARMITAS GAMA 900 / PAN 900 RANGE		ZONA		MUEBLE / UNIT				PLANO		C-2275	
ITEM	CODIGO	DENOMINACION	TEXTO	MPE9-10 BM	MPE9-10 BM S	MPE9-15 BM	MPE9-15 BM S						NOTAS
1	S052101000	TIRANTE 02101130	TIE ROD 02101130	4	4	4	4						
	Q162070000	TUERCA EXAGONAL M12	HEXAGONAL NUT M12	4	4	4	4						
	Q261570000	ARANDELA MUELLE A12	SPRING WASHER A12	4	4	4	4						
2	S166137000	CUBA+TAPA MPE9-10 BM	TUB+COVER MPG9-10	1	1	-	-						ELIMINADO 03,01,11
2	S166143000	CUBA+TAPA MPE9-10 BM	TUB+COVER MPG9-10	1	1	-	-						INTRODUCIDO 03,01,11
2	S236124000	CUBA+TAPA MPE9-15 BM	TUB+COVER MPE9-15 BM	-	-	1	1						ELIMINADO 03,01,11
2	S236134000	CUBA+TAPA MPE9-15 BM	TUB+COVER MPE9-15 BM	-	-	1	1						INTRODUCIDO 03,01,11
S/Nº	S056137000	TAPA COMPLETA	COMPLETE COVER	1	1	1	1						
	S056109000	JUNTA TAPA	LID SEAL	1	1	1	1						
S/Nº	S016101000	FILTRO DE CUBA	TUB FILTER	1	1	1	1						
	S036117000	SOPORTE FILTRO	FILTER SUPPORT	2	2	2	2						
	Q412000000	REMACHE TUBULAR 4x8	TUBULAR RIVET 4x8	8	8	8	8						
3	S116119000	GIRO DE ASA	HANDLE ROTATION	1	1	1	1						
	Q012041000	TORNILLO EXAGONAL M6x10 A304	HEXAGONAL BOLT M6x10 A304	2	2	2	2						
4	S116126000	COJINETE CILINDRICO	CYLINDRICAL BEARING	1	1	1	1						
5	S036143000	BISAGRA COMPLETA	COMPLETE HINGE	1	1	1	1						
6	S136108000	RESORTE TAPA 07004	SPRING COVER 07199	1	1	1	1						
7	S116118000	CASQUILLO	BUSHING	1	1	1	1						
8	S116120000	TENSOR MUELLE	TENSIONING SPRING	1	1	1	1						
	Q012042000	TORNILLO EXAGONAL M6x15	HEXAGONAL BOLT M6x15	2	2	2	2						
	Q262040000	ARANDELA GROW. A6 A304	WASHER GROW. A6 A304	2	2	2	2						
9	S036131000	SOPORTE BISAGRA COMPLETA	COMPLETE HINGE SUPPORT	1	1	1	1						ELIMINADO 03.05.10
9	S226136000	SOPORTE BISAGRA COMPLETA	COMPLETE HINGE SUPPORT	1	1	1	1						INTRODUCIDO 03.05.10
S/Nº	S026102000	REFUERZO BISAGRA MARMITAS	COOK. POT HINGE REINFORCE.	1	1	1	1						
	Q232050000	ARANDELA A8	WASHER A8	4	4	4	4						
	Q262050000	ARANDELA GROW. A8 A304	WASHER GROW. A8 A304	4	4	4	4						
	Q212051000	TUERCA SOMBRERO M8	COWL NUT M8	4	4	4	4						
10	S036123000	ASA DE TAPA	COVER HANDLE	1	1	1	1						
	Q012053000	TORNILLO EXAGONAL M8x20 A304	HEXAGONAL BOLT M8x20 A304	2	2	2	2						
	Q302027000	ARANDELA 25x8,4x2	WASHER 25X8.4X2	2	2	2	2						

MOD.		MARMITAS GAMA 900 / PAN 900 RANGE		ZONA	MUEBLE / UNIT				PLANO	C-2275
ITEM	CODIGO	DENOMINACION	TEXTO	MPE9-10 BM	MPE9-10 BM S	MPE9-15 BM	MPE9-15 BM S			NOTAS
11	X162814000	PANEL LATERAL DERECHO G900	RIGHT SIDE PANEL G900	1		1				
11	S142806000	PANEL LATERAL DERECH. G9-00S	RIGHT SIDE PANEL G9-00S		1					
11	S222808000	PANEL LATERAL DERECH. G9-00S	RIGHT SIDE PANEL G9-00S				1			
	Q221343000	REMACHE EXAGONAL M6	HEXAGONAL RIVET M6	11		11				
	Q221342000	REMACHE EXAGONAL M5	HEXAGONAL RIVET M5	6	6	6	6			
	Q012053000	TORNILLO EXAGONAL M8x20 A304	HEXAGONAL BOLT M8x20 A304	2		2				
	Q012031000	TORNILLO EXAGONAL M5x10 A304	HEXAGONAL BOLT M5x10 A304		2		2			
12	S105402000	ANTERIOR DE MESA 1M	BENCH FRONT 1M	1		1				
	Q152004000	TORNILLO APLAST. M5x13 A304	MUSHROOM HEAD BOLT M5x13 A	2		2				
	Q302022000	ARANDELA 16x6x1,2 A304	WASHER 16x6x1.2 A304	2		2				
13	S162609000	CANALETA RECOGE-AGUAS	WATER COLLECT CHANNEL	1	1	1	1			
	Q221342000	REMACHE EXAGONAL M5	HEXAGONAL RIVET M5	2	2	2	2			
	Q152004000	TORNILLO APLAST. M5x13 A304	MUSHROOM HEAD BOLT M5x13 A	2	2	2	2			
14	S222606000	ESCUADRA INTE. ANT. MESA 1M	BENCH FRONT INT BRACKET 1M	1	1	1	1			
	Q221342000	REMACHE EXAGONAL M5	HEXAGONAL RIVET M5	7	7	7	7			
	Q012032000	TORNILLO EXAGONAL M5X15	HEXAGONAL BOLT M5x15	6	6	6	6			
15	S162807000	PORTAMANDOS MARMITA ELECT.	ELECT. PAN CONTROL HOLDER	1	1	1	1			
	Q152004000	TORNILLO APLAST. M5x13 A304	MUSHROOM HEAD BOLT M5x13 A	4	4	4	4			
	Q221343000	REMACHE EXAGONAL M6	HEXAGONAL RIVET M6	2	2	2	2			
	Q151336000	TORNILLO SOPORTE GUIAS	GUIDE SUPPORT BOLT	2	2	2	2			
	Q302022000	ARANDELA 16x6x1,2 A304	WASHER 16x6x1.2 A304	2	2	2	2			
	U022836000	ESCUDO FAGOR	FAGOR EMBLEM	1	1	1	1			
	Q221023000	CLIP SUJECIÓN RÁPIDA Ø 5	RAPID FASTENING CLIP Ø5	2	2	2	2			
16	S162806000	PANEL FRONTAL ME9-10 BM	FRONT PANEL ME9-10 BM	1						
16	S162809000	PANEL FRONTAL ME9-10 BM S	FRONT PANEL ME9-10 BM S		1					
16	S232806000	PANEL FRONTAL ME9-15 BM	FRONT PANEL ME9-15 BM			1	1			
	Q012042000	TORNILLO EXAGONAL M6x15	HEXAGONAL BOLT M6x15	2	2	2	2			
	Q302022000	ARANDELA 16x6x1,2 A304	WASHER 16x6x1.2 A304	2	2	2	2			
17	S102610000	LISTON SOPORTE PATAS ANT. 1M	FRONT LEG SUPPORT STRIP 1M	1		1				ELIMINADO 29.04.13
17	12005781	LISTON SOPORTE PATAS ANT. 1M	FRONT LEG SUPPORT STRIP 1M	1		1				INTRODUCIDO 29.04.13

MOD.		MARMITAS GAMA 900 / PAN 900 RANGE		ZONA	MUEBLE / UNIT				PLANO	C-2275
ITEM	CODIGO	DENOMINACION	TEXTO	MPE9-10 BM	MPE9-10 BM S	MPE9-15 BM	MPE9-15 BM S			NOTAS
18	X162813000	PANEL LATERAL IZQUIERDO G900	LEFT SIDE PANEL G900	1		1				
18	S142805000	PANEL LATERAL IZQUIERD. G900S	LEFT SIDE PANEL G900S		1					
18	S222807000	PANEL LATERAL IZQUIERD. G915S	LEFT SIDE PANEL G915S				1			
	Q221343000	REMACHE EXAGONAL M6	HEXAGONAL RIVET M6	11		11				
	Q221342000	REMACHE EXAGONAL M5	HEXAGONAL RIVET M5	6	6	6	6			
	Q012053000	TORNILLO EXAGONAL M8x20 A304	HEXAGONAL BOLT M8x20 A304	2		2				
	Q012031000	TORNILLO EXAGONAL M5x10 A304	HEXAGONAL BOLT M5x10 A304		2		2			
19	S162617000	BASE INFERIOR ME900	LOWER BASE	1		1				ELIMINADO 29.04.13
19	12006994	BASE INFERIOR ME900 AD	LOWER BASE AD	1		1				INTRODUCIDO 29.04.13
19	S162618000	BASE INFERIOR ME9-10 S	LOWER BASE ME9-10 S		1					ELIMINADO 23,01,11
19	12041733	BASE ME-10 S COMPLETA	COMPL. BASE ME9-10 S		1					INTRODUCIDO 23,01,11
19	S362810000	BASE INFERIOR S	LOWER BASE S				1			ELIMINADO 23,01,11
19	12041739	BASE ME9-15 S COMPLETA	COMPL. BASE ME9-15 S				1			INTRODUCIDO 23,01,11
	Q221343000	REMACHE EXAGONAL M6	HEXAGONAL RIVET M6	2	2	2	2			
	Q162040000	TUERCA EXAGONAL M6	HEXAGONAL NUT M6	4		4				
20	X260151000	PATA REGULABLE	ADJUSTABLE LEG	4		4				
	Q411304000	REMACHE AVIBULB Ø4,8	AVIBULB RIVET Ø4.8	16		16				
21	S102611000	LISTON SOPORTE PATAS POS.1M	REAR LEG SUPPORT STRIP 1M	1		1				ELIMINADO 29.04.13
21	12005782	LISTON SOPORTE PATAS POS.1M	REAR LEG SUPPORT STRIP 1M	1		1				INTRODUCIDO 29.04.13
	Q012042000	TORNILLO EXAGONAL M6x15	HEXAGONAL BOLT M6x15	8		8				
	Q302022000	ARANDELA 16x6x1,2 A304	WASHER 16x6x1.2 A304	8		8				
	Q232040000	ARANDELA A6	WASHER A6	8		8				
22	U562853000	PANEL POSTERIOR 1M G9-00	REAR PANEL 1M G9-00	1		1				
22	X242817000	PANEL POSTERIOR 1M G9-10S	REAR PANEL 1M G9-10S		1					
22	S372816000	PANEL POSTERIOR 1M G9-15 S	REAR PANEL 1M G9-15 S				1			
	Q419005000	REMACHE 4x8 ALMG3 / ALUMINIO	RIVET 4X8 ALMG3 / ALUMINIUM	8	8	8	8			
23	R205439000	SOPORTE EMBELLECEDOR 1M	TRIM SUPPORT 1M	1	1	1	1			
24	R205425000	EMBELLECEDOR ESMALTE	ENAMEL TRIM	2	2	2	2			

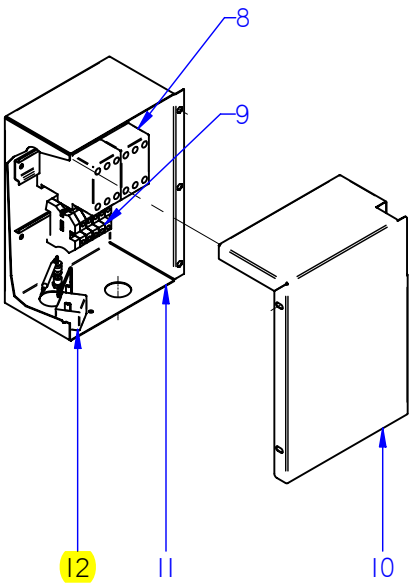
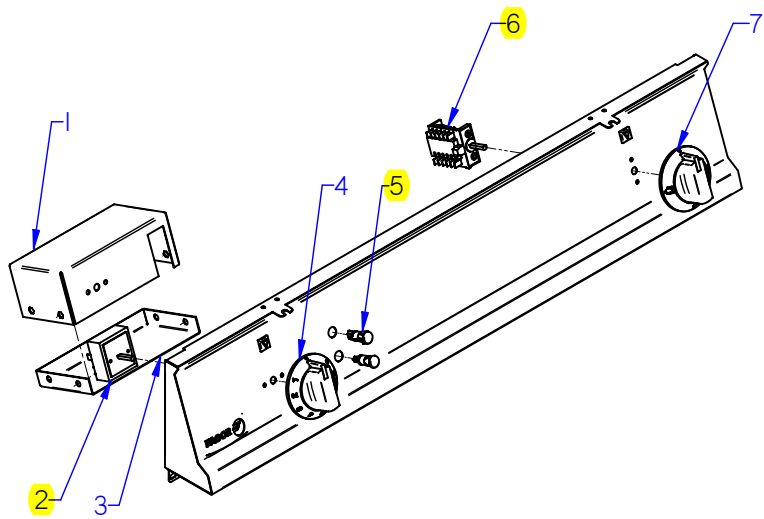
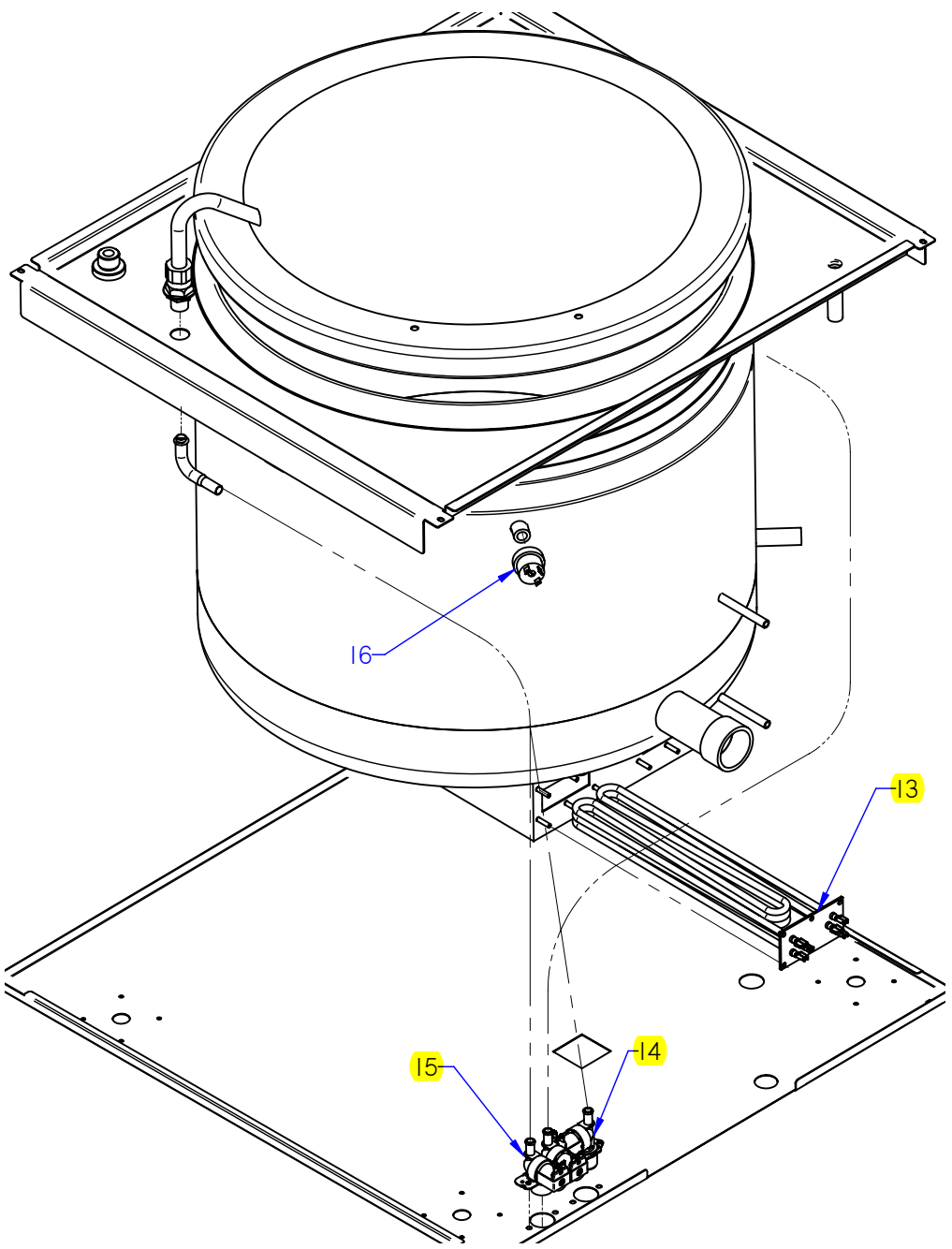
ITEM MARCADO EN COLOR = REPUESTO RECOMENDADO
 COLOURED ITEM = RECOMMENDED SPARE PART



MOD.		MARMITAS GAMA 900 / PAN 900 RANGE		ZONA		VALVULAS				PLANO		C-2276	
ITEM	CODIGO	DENOMINACION	TEXTO	MPE9-10 BM	MPE9-10 BM S	MPE9-15 BM	MPE9-15 BM S						NOTAS
1	S022100000	SOPORTE 3 SALIDAS 22805062	3-OUTPUT SUPPORT 22805062	1	1	1	1						
	Q306063000	ARANDELA Ø34x26,7x1,5	WASHER Ø34x26.7x1.5	1	1	1	1						
2	S022102000	PORTAMANOMETRO 2210617	MANOMETERHOLDER 2210617	1	1	1	1						
	Q306066000	ARANDELA Ø23,9x16,6x3	WASHER Ø23.9X16.6X3	1	1	1	1						
3	9220815000	MANOMETRO 36303601	MANOMETER 36303601	1	1	1	1						
4	S022101000	VALVULA SEGURIDAD 01508004	SAFETY VALVE 01508004	1	1	1	1						
	Q306063000	ARANDELA Ø34x26,7x1,5	WASHER Ø34x26.7x1.5	1	1	1	1						
5	S022103000	VALVULA PRESION 01509004	PRESSURE VALVE 01509004	1	1	1	1						
	Q306064000	ARANDELA Ø29,8x24,8x1,5	WASHER Ø29.8x24.8x1.5	1	1	1	1						
6	S052100000	TUBO LLENADO 01102113	FILLER PIPE 01102113	1	1	1	1						
7	S166138000	CUBA COMPLETA ME9-10 BM	COMPLETE TUB ME9-10 BM	1	1	-	-						ELIMINADO 03,01,11
7	S166142000	CUBA COMPLETA ME9-10 BM	COMPLETE TUB ME9-10 BM	1	1	-	-						INTRODUCIDO 03,01,11
7	S236125000	CUBA COMPLETA MPE9-15 BM	COMPLETE TUB MPE9-15 BM	-	-	1	1						ELIMINADO 03,01,11
7	S236133000	CUBA COMPLETA MPE9-15 BM	COMPLETE TUB MPE9-15 BM	-	-	1	1						INTRODUCIDO 03,01,11
8	S202101000	VALVULA DE PRESION	PRESSURE VALVE	1	1	1	1						
9	12044568	VALVULA ANTIRRETORNO 1/2"	NON-RETURN VALVE 1/2"	1	1	1	1						INTRODUCIDO 02,04,12
10	12044569	BOQUILLA MANGUERA 1/2" Ø11	NOZZLE HOSE 1/2" Ø11	2	2	2	2						INTRODUCIDO 02,04,12
	12010047	ABRAZADERA Fe Zn 8-14MM DIN3017	CLAMP Fe Zn 8-14MM DIN3017	2	2	2	2						INTRODUCIDO 02,04,12
11	S025006000	CONDUC. PURGA COMPL. INF.	LOWER COMPL. BLEED PIPE	2	2	2	2						
11	S025006000	CONDUC. PURGA COMPL. INF.	LOWER COMPL. BLEED PIPE	1	1	2	2						ELIMINADO 01.02.09
11	S045004000	CONDUCTO A NIVEL COMPLETO	COMPLETE LEVEL PIPE	-	-	2	2						INTRODUCIDO 01.02.09
11	S045004000	CONDUCTO A NIVEL COMPLETO	COMPLETE LEVEL PIPE	-	-	1	1						ELIMINADO 31,01,11
12	S045006000	CASQUILLO GRIFO NIVEL	LEVEL TAP BUSHING	1	1	1	1						
13	S102124000	GRIFO DE NIVEL C/MANILLA NEG	LEVEL TAP WITH BLACK HANDLE	1	1	1	1						
14	S042102000	TUBO NIVEL SERIGRAFIADO	PRINTED LEVEL PIPE	1	1	1	1						
S/Nº	S082101000	TUERCA 3/8	NUT 3/8	2	2	2	2						
S/Nº	U265008000	BICONO Ø10	BICONE Ø10	2	2	2	2						
15	S042101000	RACORD VISOR NIVEL	LEVEL SIGHT CONNECTION	2	2	2	2						
	Q307069000	JUNTA TORICA 17.26X12.36X2.5	O-RING 17.26X12.36X2.5	2	2	2	2						
16	S042647000	PROTECCION VISUALIZADOR	DISPLAY PROTECTION	1	1	1	1						
	Q032021000	TORNILLO ALOMADO M4X10	CURVED SCREW M4X10	4	4	4	4						

N plano	Firma	Fecha	Aparato	CONJUNTO FUNCIONAL	Lamina	Fagor Industrial S. Coop.
C-2277	<i>(Firma)</i>	2009-03	MARMITA MPE9-10 BM; 9-15 BM		3	Omate

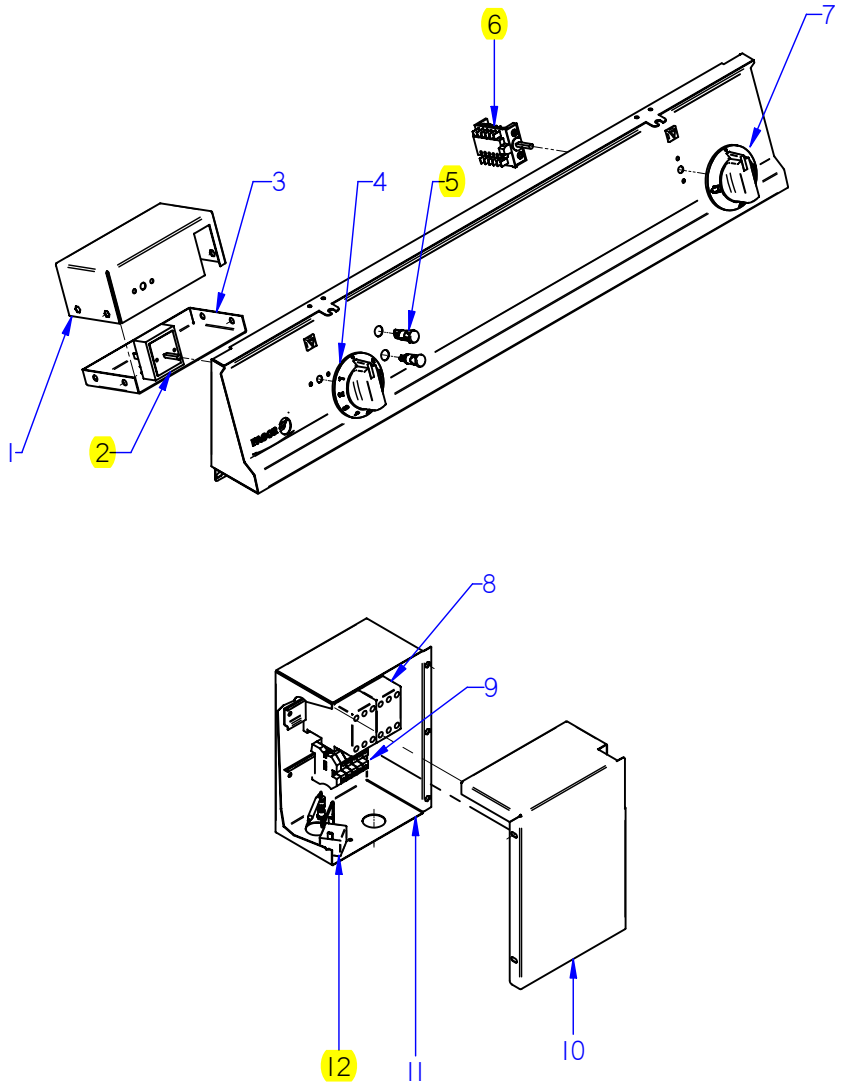
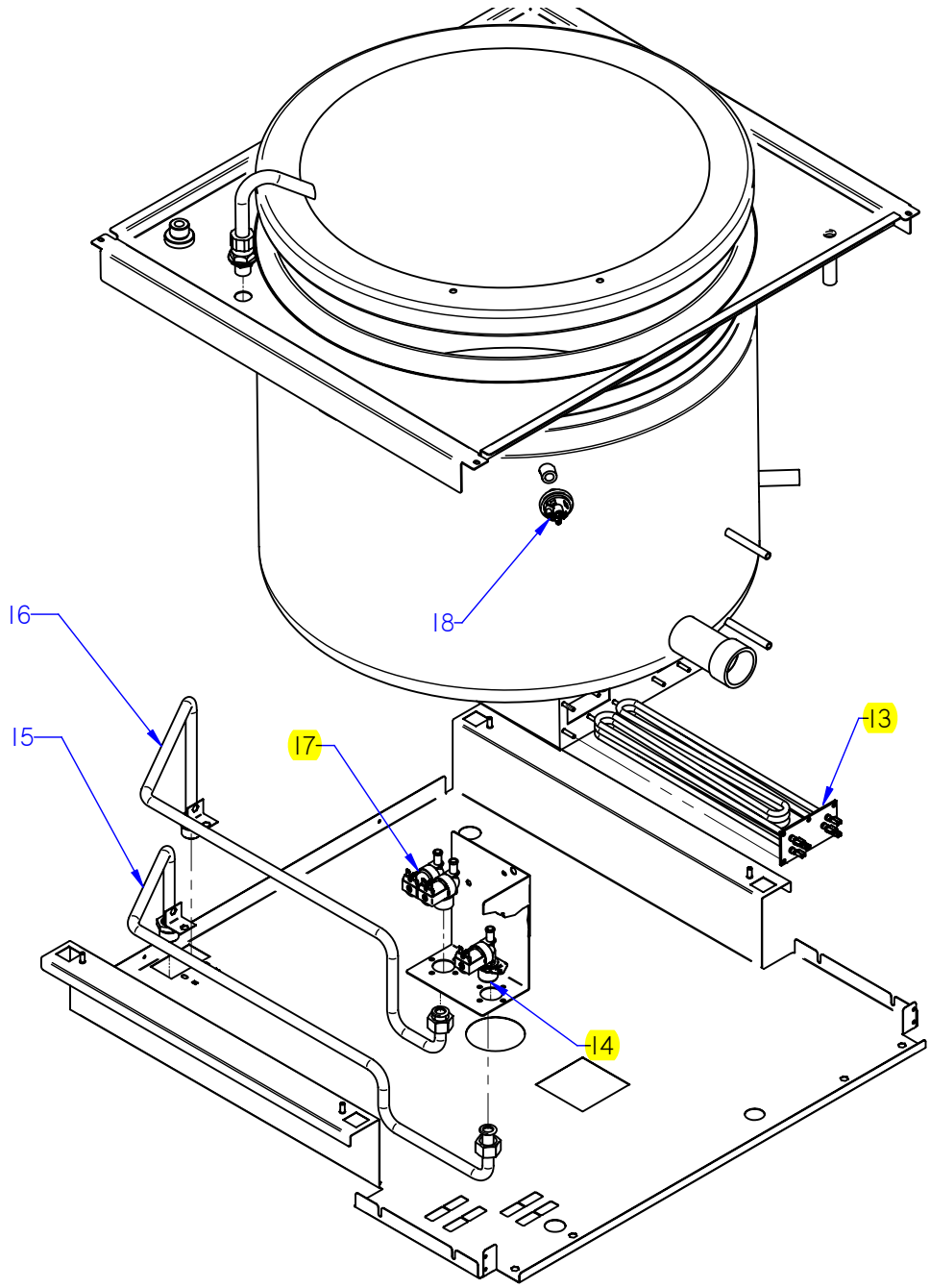
ITEM MARCADO EN COLOR = REPUESTO RECOMENDADO
 COLOURED ITEM = RECOMMENDED SPARE PART



MOD.		MARMITAS GAMA 900 / PAN 900 RANGE		ZONA		CONJUNTO FUNCIONAL / FUNCTIONAL UNIT				PLANO		C-2277
ITEM	CODIGO	DENOMINACION	TEXTO	MPE9-10 BM	MPE9-15 BM							NOTAS
1	S162612000	CAJA PROTEC REGUL ENERGIA	ENERGY CTRL PROTEC BOX	1	1							
	Q221342000	REMACHE EXAGONAL M5	HEXAGONAL RIVET M5	4	4							
2	S333001000	REGULADOR DE ENERGIA	ENERGY REGULATOR	1	1							
	Q151320000	TORN. ALOMADO M4X6 H.ZINCADO	HEXAGONAL CURVED HEAD M4X6	2	2							
3	S162613000	TAPA INF. CAJA PROTECC. REG	CTRL. PROTECT. BOX LOWER CO	1	1							
	Q152004000	TORNILLO APLAST. M5x13 A304	MUSHROOM HEAD BOLT M5x13 A	4	4							
4	S162102000	BOTON DE MANDO MARMITA ME9-	PAN CONTROL BUTTON ME9-	1	1							
5	R693056000	PILOTO AMBAR 41227000A4	AMBER PILOT 41227000A4	1	1							ELIMINADO 01.02.13
S/Nº	12024669	PILOTO AMBAR Ø18	AMBER PILOT Ø18	1	1							INTRODUCIDO 01.02.13
5	R693055000	PILOTO VERDE 41227000C7	GREEN PILOT 41227000C7	1	1							ELIMINADO 01.02.13
S/Nº	12047390	PILOTO VERDE 230V AC 8KW 16MM	GREEN PILOT 230V AC 8KW 16MM	1	1							INTRODUCIDO 01.02.13
6	R693004000	CONMUTADOR DE FUNCIONES	FUNCTIONS SWITCH	1	1							
	Q042022000	TORNILLO AVELLANADO M4X15	COUNTERSUNK BOLT M4x15	2	2							
7	S142107000	MANDO AGUA MARMITA BM	WATER PAN CONTROL BM	1	1							
8	X183011000	CONTACTOR 3RT1024-1AN20 230	CONTACTOR 3RT1024-1AN20 230	2	2							
S/Nº	Z103084000	GUIA CONTACTOR L-138 "	CONTACTOR GUIDE L-138 "	1	1							
	Q419005000	REMACHE 4X8 ALMG3 / ALUMINIO	RIVET 4X8 ALMG3 / ALUMINIUM	2	2							
9	Z683069000	BORNES 16	TERMINALS 16	3	3							
	Z683097000	BORNA PASO WDU16 10204.8	STEP TERMINAL WDU16 10204.8	1	1							
	Z683070000	BORNA A TIERRA WEIDMULLER	TERMINAL TO EARTH WEIDMULL	1	1							
	Z683096000	TOPE FINAL WEW35 10590.0	END STOP WEW35 10590.0	1	1							
	Z683068000	SEÑALIZ.DEK-6WEIDMULLER	SIGNS DEK-6WEIDMULLER	1	1							
S/Nº	Z103084000	GUIA CONTACTOR L-138 "	CONTACTOR GUIDE L-138 "	1	1							
	Q419005000	REMACHE 4X8 ALMG3 / ALUMINIO	RIVET 4X8 ALMG3 / ALUMINIUM	2	2							
10	S093014000	TAPA CAJA ELECTRICA G9-00	ELECTRIC BOX COVER G9-00	1	1							
11	S092606000	CAJA ELECTRICA	ELECTRIC BOX	1	1							
	Q221342000	REMACHE EXAGONAL M5	HEXAGONAL RIVET M5	3	3							
	Q152004000	TORNIL. APLASTADO M5X13 A 304	FLAT HEADED SCREW M5x13 A 3	5	5							
12	Z213014000	LIMITADOR TECASA P.	LIMITER TECASA P.	1	1							
	Q151320000	TORN. ALOMADO M4X6 H.ZINCADO	HEXAGONAL CURVED HEAD M4X6	2	2							

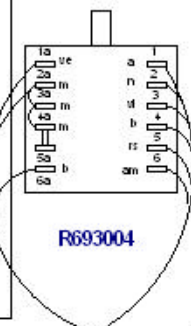
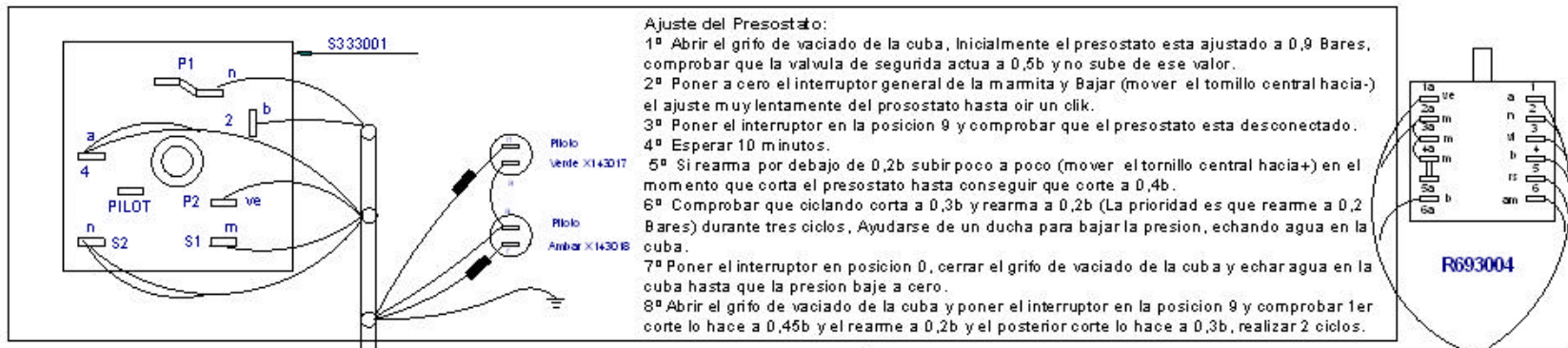
N plano	C-2277a
Firma	
Fecha	2009-03
Aparato	MARMITA MEP9-10 BM S / 15 BM S
CONJUNTO FUNCIONAL	
Lamina	4
Fagor Industrial S. Coop.	
Omate	

ITEM MARCADO EN COLOR = REPUESTO RECOMENDADO
 COLOURED ITEM = RECOMMENDED SPARE PART

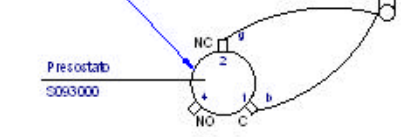


MOD.		MARMITAS GAMA 900 / PAN 900 RANGE		ZONA		CONJUNTO FUNCIONAL / FUNCTIONAL UNIT				PLANO		C-2277a	
ITEM	CODIGO	DENOMINACION	TEXTO	MPE9-10 BMS	MPE9-15 BMS								NOTAS
1	S162612000	CAJA PROTEC REGUL ENERGIA	ENERGY CTRL PROTEC BOX	1	1								
	Q221342000	REMACHE EXAGONAL M5	HEXAGONAL RIVET M5	4	4								
2	S333001000	REGULADOR DE ENERGIA	ENERGY REGULATOR	1	1								
	Q151320000	TORN. ALOMADO M4X6 H.ZINCADO	HEXAGONAL CURVED HEAD M4X6	2	2								
3	S162613000	TAPA INF. CAJA PROTECC. REG	CTRL. PROTECT. BOX LOWER CO	1	1								
	Q152004000	TORNILLO APLAST. M5x13 A304	MUSHROOM HEAD BOLT M5x13 A	4	4								
4	S162102000	BOTON DE MANDO MARMITA ME9-	PAN CONTROL BUTTON ME9-	1	1								
5	R693056000	PILOTO AMBAR 41227000A4	AMBER PILOT 41227000A4	1	1								ELIMINADO 01.02.13
S/Nº	12024669	PILOTO AMBAR Ø18	AMBER PILOT Ø18	1	1								INTRODUCIDO 01.02.13
5	R693055000	PILOTO VERDE 41227000C7	GREEN PILOT 41227000C7	1	1								ELIMINADO 01.02.13
S/Nº	12047390	PILOTO VERDE 230V AC 8KW 16MM	GREEN PILOT 230V AC 8KW 16MM	1	1								INTRODUCIDO 01.02.13
6	R693004000	CONMUTADOR DE FUNCIONES	FUNCTIONS SWITCH	1	1								
	Q042022000	TORNILLO AVELLANADO M4X15	COUNTERSUNK BOLT M4x15	2	2								
7	S142107000	MANDO AGUA MARMITA BM	WATER PAN CONTROL BM	1	1								
8	X183011000	CONTACTOR 3RT1024-1AN20 230	CONTACTOR 3RT1024-1AN20 230	2	2								
S/Nº	Z103084000	GUIA CONTACTOR L-138 "	CONTACTOR GUIDE L-138 "	1	1								
	Q419005000	REMACHE 4X8 ALMG3 / ALUMINIO	RIVET 4X8 ALMG3 / ALUMINIUM	2	2								
9	Z683069000	BORNES 16	TERMINALS 16	3	3								
	Z683097000	BORNA PASO WDU16 10204.8	STEP TERMINAL WDU16 10204.8	1	1								
	Z683070000	BORNA A TIERRA WEIDMULLER	TERMINAL TO EARTH WEIDMULL	1	1								
	Z683096000	TOPE FINAL WEW35 10590.0	END STOP WEW35 10590.0	1	1								
	Z683068000	SEÑALIZ.DEK-6WEIDMULLER	SIGNS DEK-6WEIDMULLER	1	1								
S/Nº	Z103084000	GUIA CONTACTOR L-138 "	CONTACTOR GUIDE L-138 "	1	1								
	Q419005000	REMACHE 4X8 ALMG3 / ALUMINIO	RIVET 4X8 ALMG3 / ALUMINIUM	2	2								
10	S093014000	TAPA CAJA ELECTRICA G9-00	ELECTRIC BOX COVER G9-00	1	1								
11	S092606000	CAJA ELECTRICA	ELECTRIC BOX	1	1								
	Q221342000	REMACHE EXAGONAL M5	HEXAGONAL RIVET M5	3	3								
	Q152004000	TORNIL. APLASTADO M5X13 A 304	FLAT HEADED SCREW M5x13 A 3	5	5								
12	Z213014000	LIMITADOR TECASA P.	LIMITER TECASA P.	1	1								
	Q151320000	TORN. ALOMADO M4X6 H.ZINCADO	HEXAGONAL CURVED HEAD M4X6	2	2								

MOD.		MARMITAS GAMA 900 / PAN 900 RANGE		ZONA		REPUESTOS RECOMENDADOS RECOMMENDED SPARE PART				PLANO		
ITEM	CODIGO	DENOMINACION	TEXTO	MPE9-10 BM	MPE9-10 BM S	MPE9-15 BM	MPE9-15 BM S					NOTAS
6	S136108000	RESORTE TAPA 07004	SPRING COVER 07199	1	1	1	1					C-2275
3	9220815000	MANOMETRO 36303601	MANOMETER 36303601	1	1	1	1					C-2276
4	S022101000	VALVULA SEGURIDAD 01508004	SAFETY VALVE 01508004	1	1	1	1					C-2276
5	S022103000	VALVULA PRESION 01509004	PRESSURE VALVE 01509004	1	1	1	1					C-2276
6	S052100000	TUBO LLENADO 01102113	FILLER PIPE 01102113	1	1	1	1					C-2276
8	S202101000	VALVULA DE PRESION	PRESSURE VALVE	1	1	1	1					C-2276
9	12044568	VALVULA ANTIRRETORNO 1/2"	NON-RETURN VALVE 1/2"	1	1	1	1					C-2276
13	S102124000	GRIFO DE NIVEL C/MANILLA NEG	LEVEL TAP WITH BLACK HANDLE	1	1	1	1					C-2276
14	S042102000	TUBO NIVEL SERIGRAFIADO	PRINTED LEVEL PIPE	1	1	1	1					C-2276
S/Nº	S082101000	TUERCA 3/8	NUT 3/8	2	2	2	2					C-2276
S/Nº	U265008000	BICONO Ø10	BICONE Ø10	2	2	2	2					C-2276
17	S102125000	GRIFO VACIADO 2"	DRAINAGE TAP 2"	1	1	1	1					C-2276
2	S333001000	REGULADOR DE ENERGIA	ENERGY REGULATOR	1	—	1	—					C-2277
5	12024669	PILOTO AMBAR Ø18	AMBER PILOT Ø18	1	—	1	—					C-2277
S/Nº	12047390	PILOTO VERDE 230V AC 8KW 16MM	GREEN PILOT 230V AC 8KW 16MM	1	—	1	—					C-2277
6	R693004000	CONMUTADOR DE FUNCIONES	FUNCTIONS SWITCH	1	—	1	—					C-2277
12	Z213014000	LIMITADOR TECASA P.	LIMITER TECASA P.	1	—	1	—					C-2277
13	T323038000	RESISTENCIA 3000WX3 230V	RESISTOR 3000WX3 230V	2	—	2	—					C-2277
14	Z701135000	ELECTROVALVULA SIMP. 220V	SIMPLE SOLENOID VALVE 220V	1	—	1	—					C-2277
15	P255001000	ELECTROVALVULA DOBLE	DOUBLE SOLENOID VALVE	1	—	1	—					C-2277
2	S333001000	REGULADOR DE ENERGIA	ENERGY REGULATOR	—	1	—	1					C-2277a
5	12024669	PILOTO AMBAR Ø18	AMBER PILOT Ø18	—	1	—	1					C-2277a
S/Nº	12047390	PILOTO VERDE 230V AC 8KW 16MM	GREEN PILOT 230V AC 8KW 16MM	—	1	—	1					C-2277a
6	R693004000	CONMUTADOR DE FUNCIONES	FUNCTIONS SWITCH	—	1	—	1					C-2277a
12	Z213014000	LIMITADOR TECASA P.	LIMITER TECASA P.	—	1	—	1					C-2277a
13	T323038000	RESISTENCIA 3000WX3 230V	RESISTOR 3000WX3 230V	—	2	—	2					C-2277a
14	Z701135000	ELECTROVALVULA SIMP. 220V	SIMPLE SOLENOID VALVE 220V	—	1	—	1					C-2277a
17	P255001000	ELECTROVALVULA DOBLE	DOUBLE SOLENOID VALVE	—	1	—	1					C-2277a

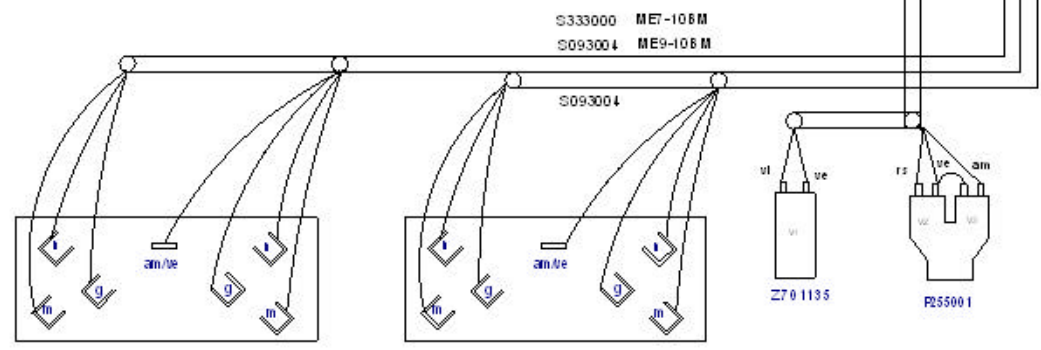
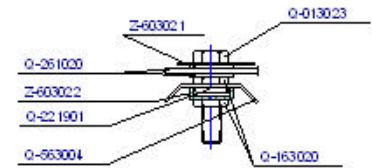
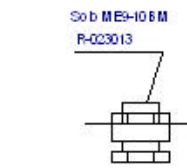


¡OJO MUY IMPORTANTE!
 Apretar con la mano de forma muy suave y luego apretar con la llave.



Esquema de bobinas

S583001	ME7-108 M
S333030	ME9-108 M
S333030	MP9-xx 6M



Simb/LENG		ESPAÑOL	ENGLISH	FRANÇAIS	DEUTSCH	ITALIANO
C1, C2	=	Contactador Calentamiento	Contacteur Chauffe	Heating Contactor	Heizschütz	Contatore Riscaldamento
CN	=	Control de Nivel de agua	Control of water Level	Commande de niveau d'eau	Steuerung des Wasserspiegels	Controllo del livello d'acqua
E	=	Generador de Chispa	Spark generator	Générateur d'étincelle	Funkengenerator	Generatore della scintilla
IB	=	Micro tope bajada	Microswitch of lowered Limit	Microcontact de la limite abaissée	Mikroschalter der gesenkten Begrenzung	Microinterruttore del limite abbassato
IG	=	Interruptor general	General switch	Commutateur général	Allgemeiner Schalter	Interruttore generale
IGV	=	Interruptor electrovalvulas de agua	Switch electrovalvula water	Commutez l'eau d'electrovalvula	Schalten Sie electrovalvula Wasser	Commuti l'acqua di electrovalvula
IE	=	Pulsador de Encendido	Ignition Switch	Commutateur d'allumage	Zündung-Schalter	Interruttore di accensione
IMB	=	Pulsador bajada	lowered switch	commutateur abaissé	gesenkter Schalter	interruttore abbassato
IMS	=	Pulsador subida	Raised switch	Commutateur augmenté	Angehobener Schalter	Interruttore sollevato
IP	=	Micro seguridad	security microswitch	microcontact de sécurité	Sicherheitsmikroschalter	microinterruttore di sicurezza
IS	=	Micro tope subida	Microswitch of rise Limit	Microcontact de la limite d'élévation	Mikroschalter der Aufstieg Begrenzung	Microinterruttore del limite di aumento
L1	=	Lámpara marcha	Operation Light	Lumière d'opération	Betriebs-Licht	Luce di funzionamento
L2	=	Lámpara calentamiento	Heating Light	Lumière de chauffage	Heizungs-Licht	Luce del riscaldamento
M	=	Motor de elevacion	Motor of elevation	Moteur d'altitude	Motor des Aufzugs	Motore dell'altezza
P	=	Presostato de Camara	Water Level Switch	Commutateur de niveau d'eau	Wasserspiegel-Schalter	Interruttore del livello d'acqua
PR	=	Puente rectificador	Electrical bridge rectifier	Pont redresseur électrique	Elektrischer Brückengleichrichter	Raddrizzatore a ponte elettrico
R	=	Resistencia Calentamiento.	Résistance Chauffe	Heating Resistors	Widerstand Aufheizung	Resistenza Riscaldamento
RE	=	Regulador Energia	Regulator of Energy	Régulateur d'énergie	Regler von Energie	Regolatore di energia
T	=	Termostato	Thermostat	Thermostat	Thermostat	Termostato
TRF	=	Transformador	Transformer	Transformateur	Transformator	Trasformatore
TS	=	Termostato de seguridad	Security Thermostat	Thermostat de sécurité	Sicherheits-Thermostat	Termostato di sicurezza
TRP	=	Termopar	Thermocouple	Thermocouple	Thermoelement	Termocoppia
VG1, VG2	=	ElectroVálvula gas	Electrical gas valve	Clapet à gaz électrique	Elektrisches Gichtventil	Valvola a gas elettrica
V1	=	Valvula Agua CALIENTE	ElectroValve of Hot Water	Électrovalve d'eau chaude	Elektroventil des Heißwassers	Elettrovalvola di acqua calda
V2	=	Valvula Agua FRIA	ElectroValve of cold Water	Électrovalve d'eau froide	Elektroventil des kalten Wassers	Elettrovalvola di acqua fredda
V3	=	Valvula Agua Caldera	electrovalve of water boiler	électrovalve de chauffe-eau	Elektroventil des Warmwasserboilers	elettrovalvola del reattore ad acqua
	=	COLORES	COLOUR	COULEURS	FARBEN	COLORE
a	=	Azul	Blue	Bleu	Blau	Blu
am	=	Amarillo	Yellow	Jaune	Gelb	Giallo
am/ve	=	Amarillo/verde	Yellow / green	Jaune / vert	Gelb/grün	Giallo/verde
b	=	Blanco	White	Blanc	Weiß	Bianco
g	=	Gris	Grey	Gris	Grau	Grigio
m	=	Marrón	Brown	Marron	Braun	Marrone
n	=	Negro	Black	Noir	Schwarz	Nero
na	=	Naranja	Orange	Orange	Orange	Arancio
r	=	Rojo	Red	Rouge	Rot	Rosso
rs	=	Rosa	Pink	Rose	Rosa	Roseo
ve	=	Verde	Green	Vert	Grün	Verde
vi	=	Violeta	Purple	Violet	Violett	Viola

X463007000