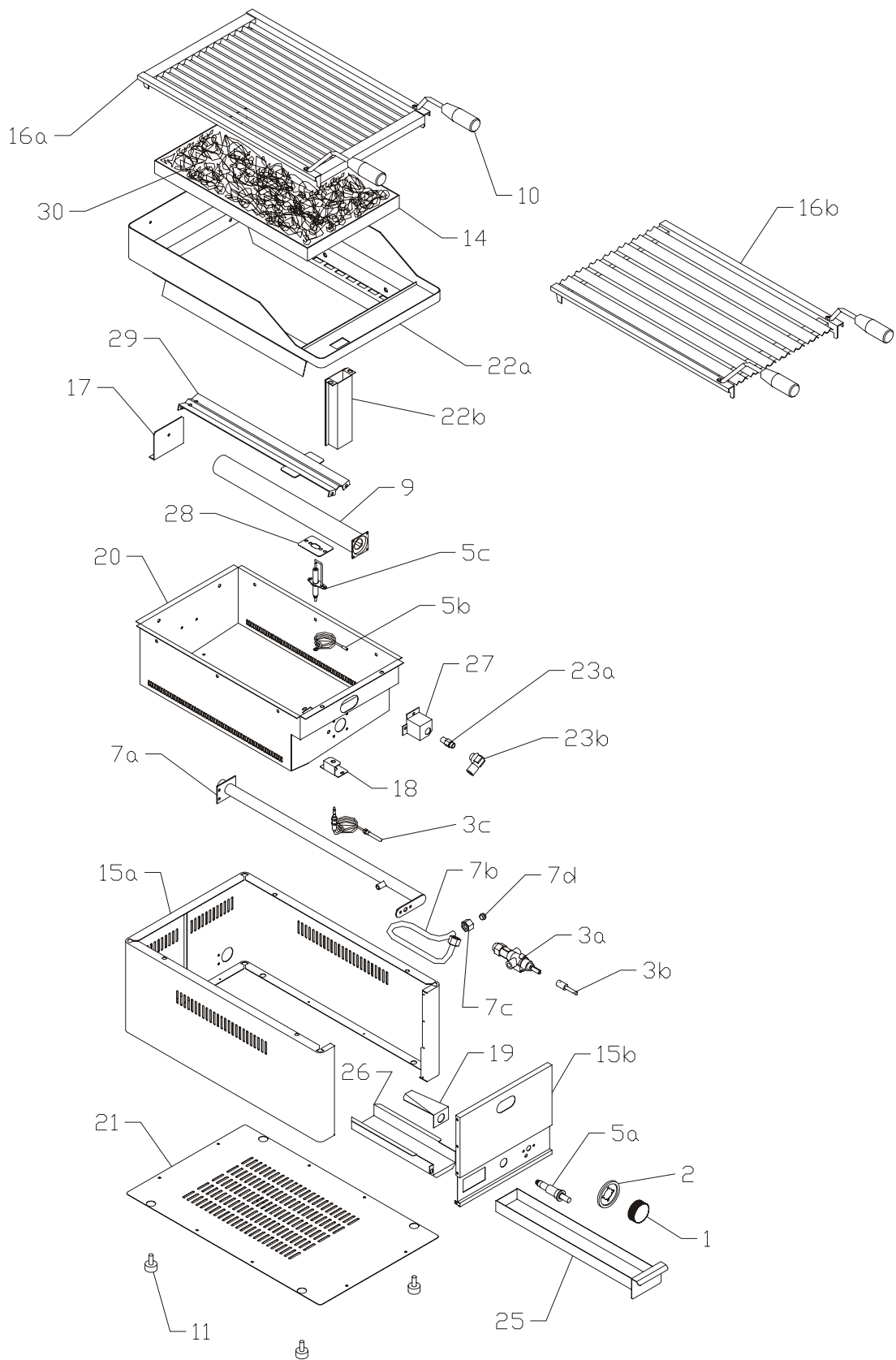


**GL 30G, GL 60G**





GL 30G

	CODE		CODE		CODE		CODE
1	402593100	7d	404525100	18	451010100	29	452200530
2	402595000	8	-----	19	451008750	30	153000150
3a	404500100	9	404000100	20	503000130		
3b	408706200	10	407803000	21	451002000		
3c	404050200	11	407810500	22a	503000025		
4	-----	12	-----	22b	501002100		
5a	401540000	13	-----	23a	404547...		
5b	402008000	14	503000305	23b	404520200		
5c	404530200	15a	503000030	24	-----		
6	-----	15b	451001200	25	503000450		
7a	501003300	16a	503000285	26	451005550		
7b	503000235	16b	503000268	27	451007600		
7c	404520000	17	451006800	28	452200750		

GL 60G

	CODE		CODE		CODE		CODE
1	402593100	7d	404525100	18	451010100	29	452200530
2	402595000	8	-----	19	451008750	30	153000150
3a	404500100	9	404000100	20	503000160		
3b	408706200	10	407803000	21	451018500		
3c	404050200	11	407810500	22a	503000055		
4	-----	12	-----	22b	501002100		
5a	401540000	13	-----	23a	404547...		
5b	402008000	14	503000305	23b	404520200		
5c	404530200	15a	503000060	24	-----		
6	-----	15b	451016200	25	503000450		
7a	501003300	16a	503000285	26	451005550		
7b	503000235	16b	503000268	27	451007600		
7c	404520000	17	451006800	28	452200750		

NOZZLES

	CODE	SIZE
1	404547077	0,77 mm
2	404547093	0,93 mm
3	404547135	1,35 mm