

CF6-712G

541094300

532002800

533009200

537007600

536011700

537013700

532002300

544301100

544173600

537008400

544173300

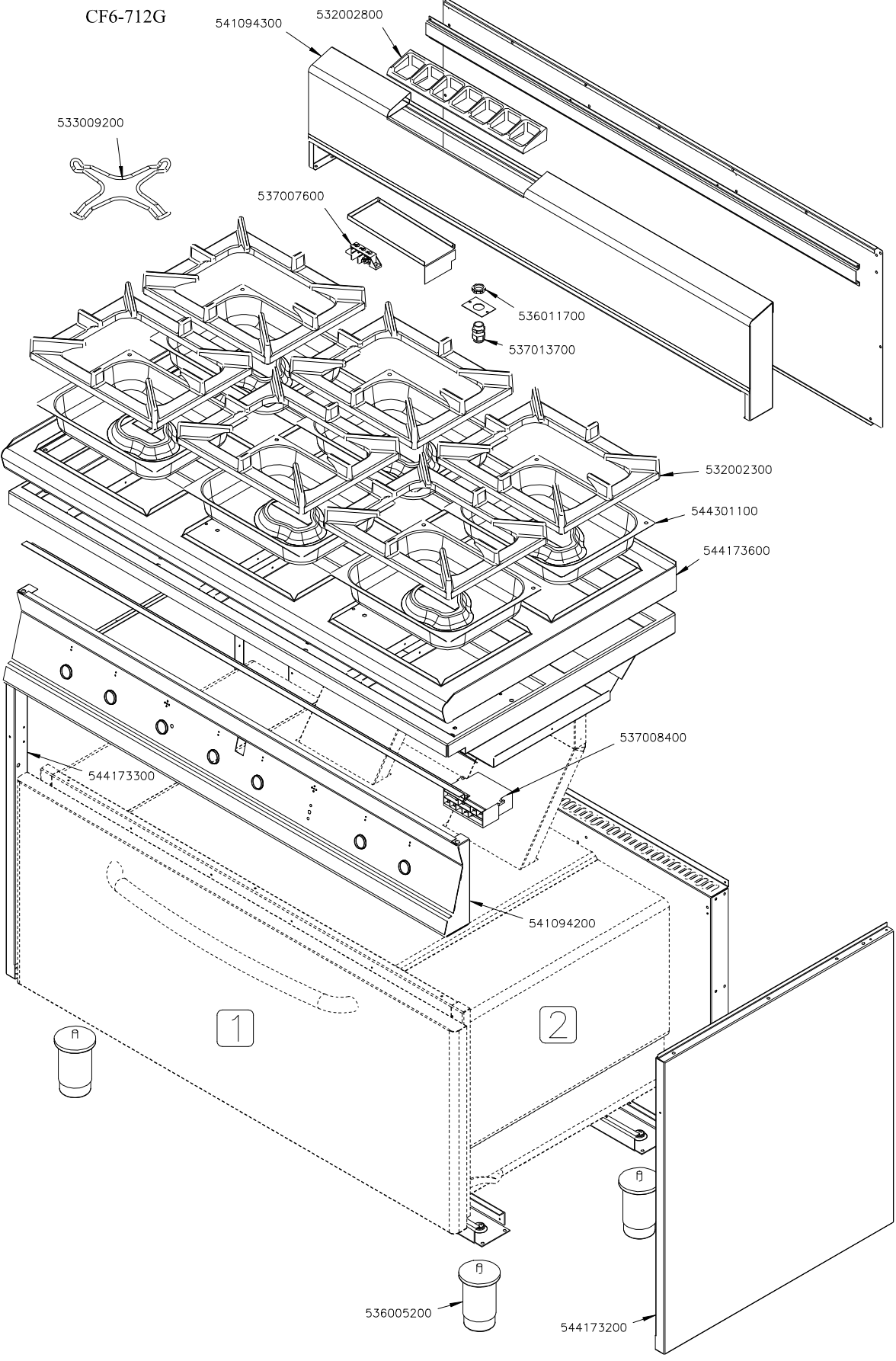
541094200

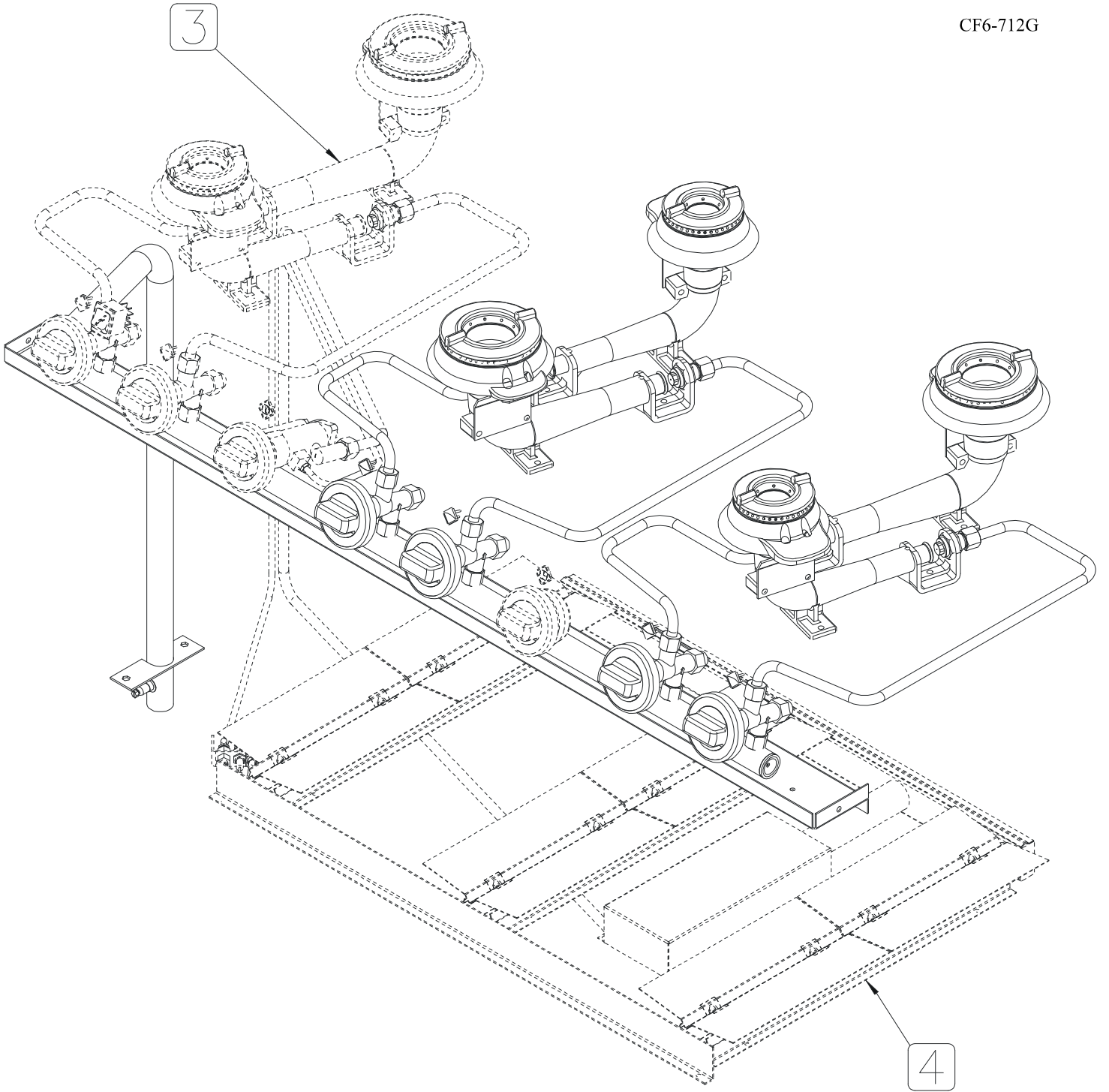
1

2

536005200

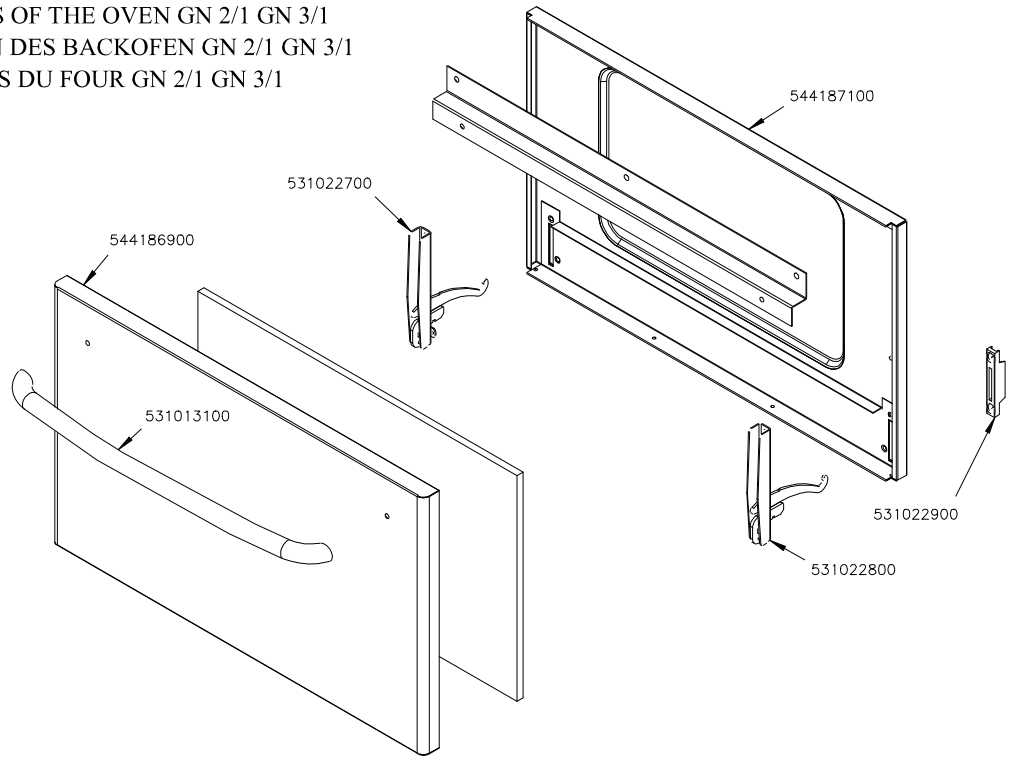
544173200



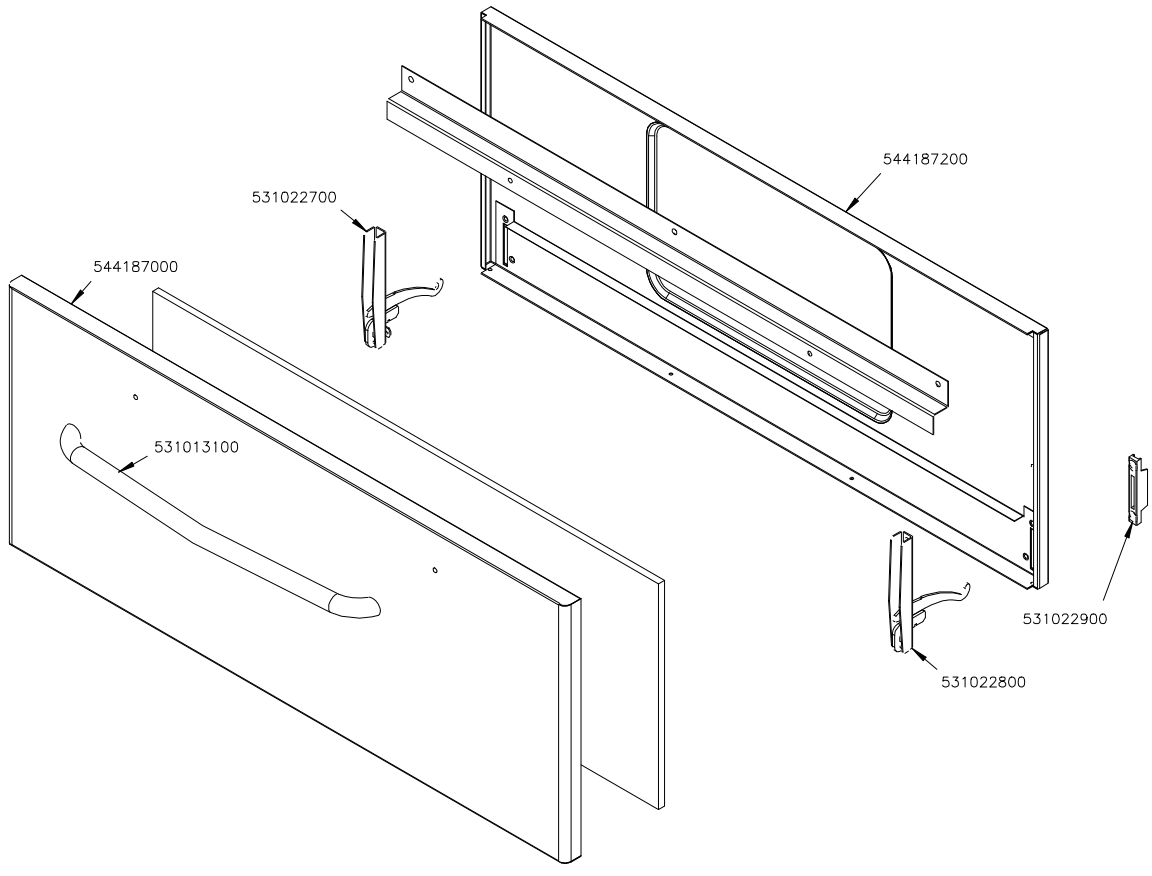


PORTE FORNO GN 2/1 GN 3/1
DOORS OF THE OVEN GN 2/1 GN 3/1
TUREN DES BACKOFEN GN 2/1 GN 3/1
PORTES DU FOUR GN 2/1 GN 3/1

GN 2/1

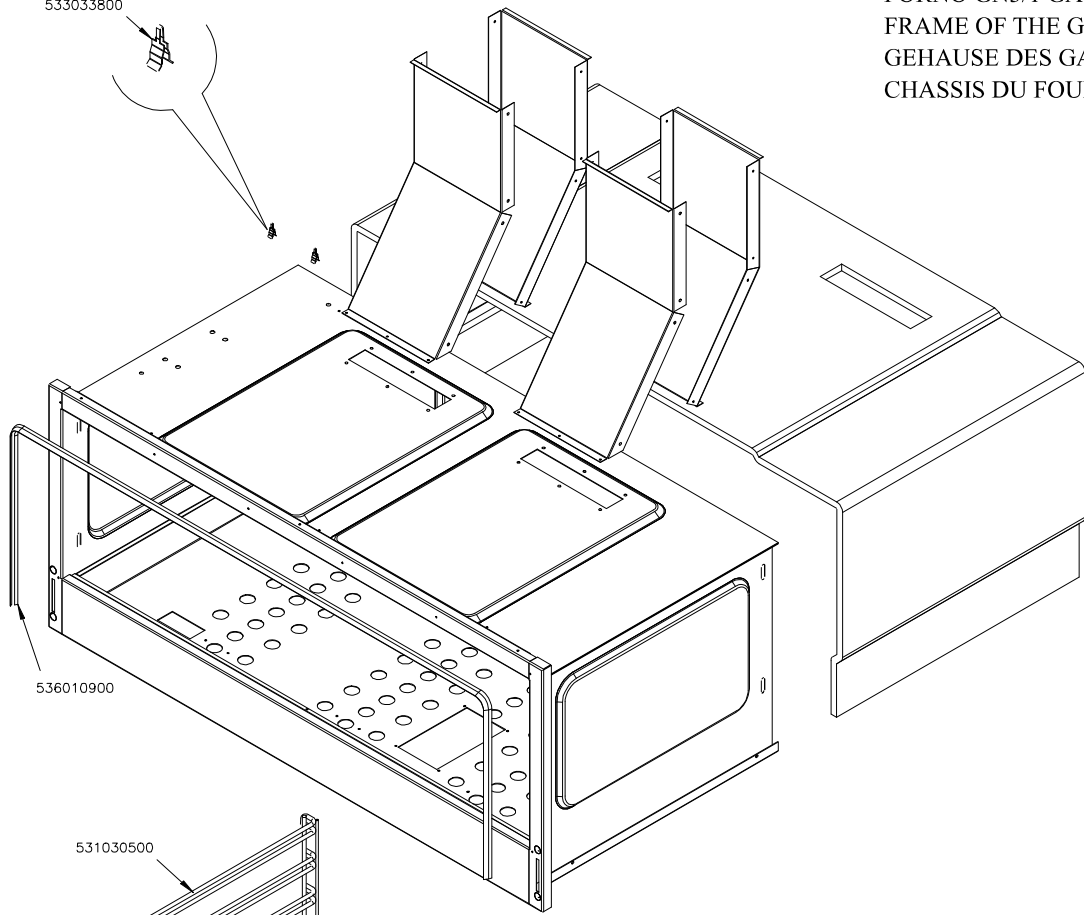


GN 3/1



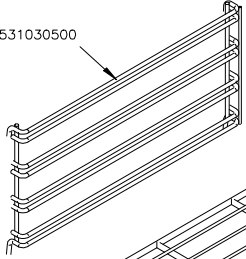
533033800

FORNO GN3/1 GAS CARCASSA
FRAME OF THE GAS OVEN GN 3/1
GEHAUSE DES GASBACKOFEN GN 3/1
CHASSIS DU FOUR A GAZ GN 3/1

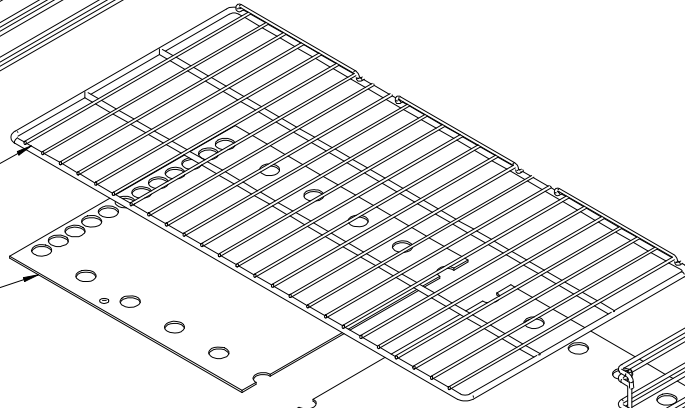


536010900

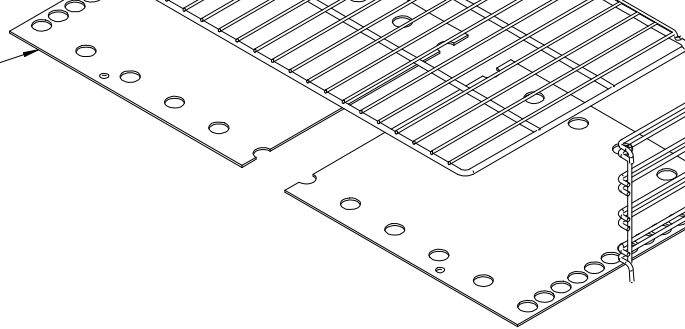
531030500



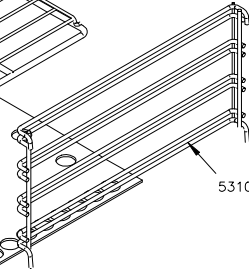
531030300



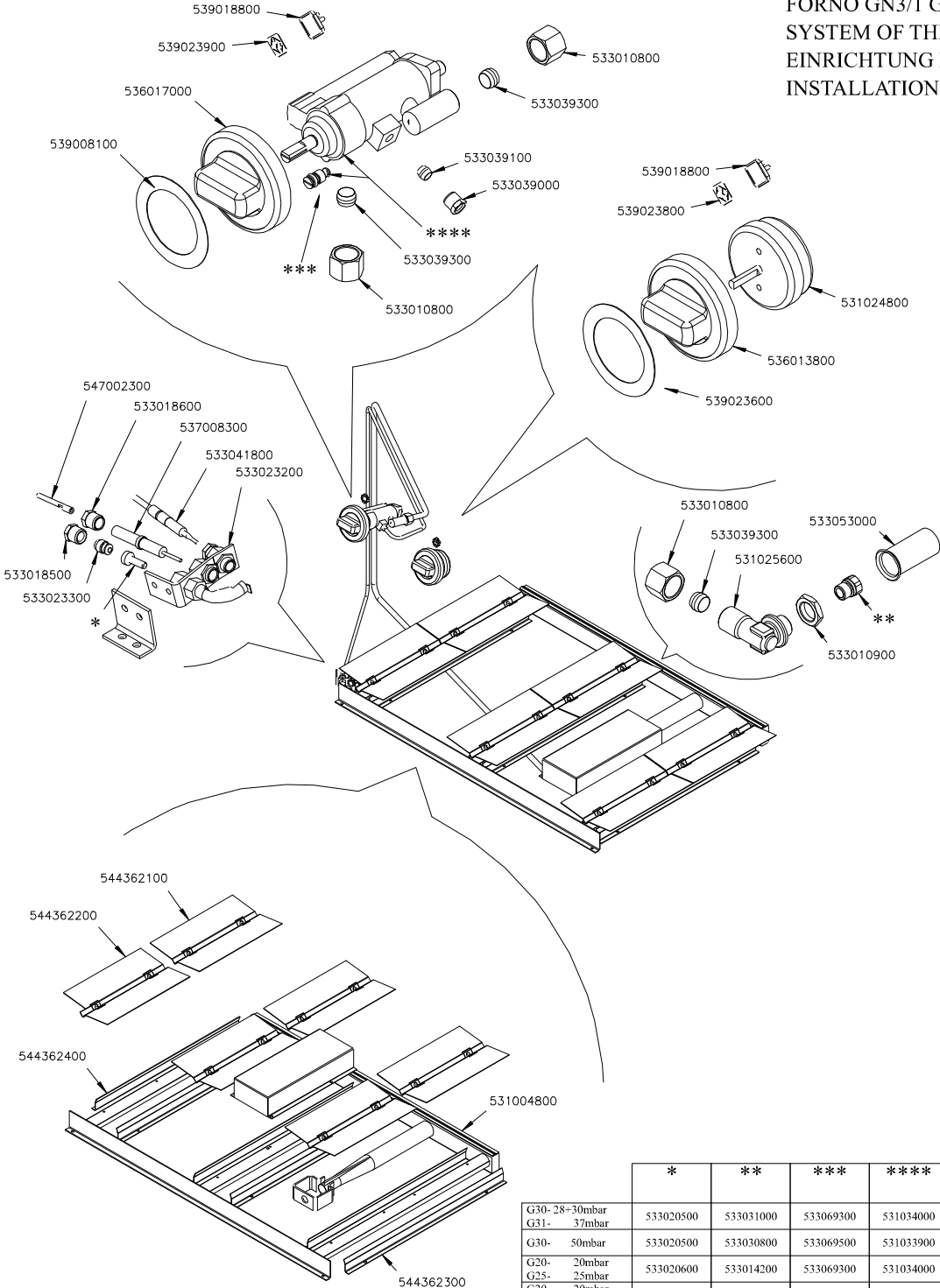
544171800



531030400



FORNO GN3/1 GAS IMPIANTO
 SYSTEM OF THE GAS OVEN GN 3/1
 EINRICHTUNG DES GASBACKOFEN GN 3/1
 INSTALLATION DU FOUR A GAZ GN 3/1



	*	**	***	****
G30- 28+30mbar	533020500	533031000	533069300	531034000
G31- 37mbar	533020500	533030800	533069500	531033900
G30- 50mbar	533020500	533030800	533069500	531033900
G20- 20mbar	533020600	533014200	533069300	531034000
G25- 25mbar	533020600	533014200	533069500	531033900
G20- DE-AT	533020600	533014200	533069500	531033900
G25- 20mbar	533020600	533014400	533069500	531033900
G25- NL	533020600	533014300	533069300	531034000

Page	Pos	Code	Description
001		532002800	GRID FOR PIPE L=370 S.70
001		541094300	SPACER 712G - 1 LHD DRAIN
001		533009200	REDUCTION FOR 65 AND 70 LINE
001		537007600	TERMINAL BLOCK SINGLEPHASE 40A
001		536011700	HEXAGONAL LOCK NUT PG-11
001		537013700	CABLE SECURING CLAMP PG-11
001		532002300	1 FLAME GRILL 346X274 (70)
001		544301100	ENAMELLED BURNER DRIP PAN 1/2
001		544173600	UPPER PLATE PC-712G CF6-712G/GV
001		537008400	IGNITION UNIT 8 FLAMES V230
001		544173300	LEFT SIDE PANEL RANGE S.70
001		541094200	CONTROL PANEL CF6-712G CF6-712GV
001		544173200	RIGHT SIDE PANEL RANGE S.70
001		536005200	INOX LEG 2" 120-180 M10
003		544187100	OVEN INNER DOOR GN 2/1 S.70
003		531022900	HINGE DOOR WHEEL HOLDER S.70
003		531022800	LEFT OVEN DOOR HINGE S.70
003		531022700	RIGHT OVEN DOOR HINGE 70LINE
003		544186900	OVEN DOOR GN 2/1 S.70
003		531013100	OVEN DOOR HANDLE OF 70/90-LINE
003		544187200	
003		544187000	OVEN DOOR GN 3/1 S.70
004		533033800	LOCK SPRING FOR BULB §6
004		536010900	GAS OVEN GASKET GN 3/1 (1620)
004		531030500	LHD SUPPORT GRID FOR OVEN OF 70LINE
004		531030300	OVEN GRID GN 3/1 FOR 70 LINE
004		544171800	BOTTOM FOR GAS OVEN GN3/1 70 LINE
004		531030400	RHD SUPPORT GRID FOR OVEN OF 70LINE
005		539018800	INDEX FOR OVEN KNOB
005		539023900	SIGN PLATE FOR OVEN TEMPERATURE
005		533010800	TUBE NUT D.10 M16*1,5
005		536017000	BLACK KNOB §70 PIN §8*6,5
005		539008100	ADHESIVE GRADUATED DISC FOR KNOB
005		533039300	BICONE §10
005		533039100	BICONE §6
005		533039000	NUT FOR PILOT TUBE §6
005		539023800	SIGN PLATE FOR OVEN TIMER
005		531024800	TIMER 120'- 360°
005		536013800	KNOB D.70 BLACK 6*5 WITH SPRING
005		539023600	ADHESIVE GRADUATED DISC FOR KNOB
005		547002300	HIGH-VOLTAGE CABLE §2 L=1900
005		533018600	PLUG FITTING
005		537008300	ROUND PLUG §2,4- LONG ELECTRODE
005		533041800	THERMOCOUPLE 1500 M9*1
005		533023200	"TARGET" PILOT + NIPPLE TC BRAC.90°
005		533018500	FITTING FOR BICONE D.6 M10*1
005		533023300	BICONE §6 ("TARGET" PILOT)
005		531025600	ELBOW 90° NOZZLE-HOLDER §10 PIPE
005		533053000	AIR ADJUSTMENT BUSHING §18
005		533010900	NUT M14*1 H.4
005		544362100	UPPER BURNER DEFLECTOR FOR OVEN 70

Page	Pos	Code	Description
005		544362200	UPPER PILOT DEFLECTOR FOR OVEN 70
005		544362400	SIDE PILOT DEFLECTOR FOR OVEN 70
005		531004800	BURNER FOR OVEN GN 3/1 S.70
005		544362300	SIDE BURNER DEFLECTOR FOR OVEN 70
005		533020500	NOZZLE 0.140 §19
005		533031000	NOZZLE §175 CH12X14
005		533069300	BY PASS COCK §100 25ST
005		531034000	GAS COCK 25ST P.O. BY-PASS §100
005		533030800	NOZZLE §155 CH12X14 M-CW
005		533069500	BY PASS COCK §085 25ST
005		531033900	HORIZON.THERMOSTATIC TAP BYPASS §85
005		533020600	NOZZLE 0.140 §27
005		533014200	NOZZLE §270 CH12*14 OVEN GN 3/1
005		533014400	NOZZLE §300 CH12*14 OVEN GN 3/1
005		533014300	NOZZLE §285 CH12*14
006		537010300	PLUG IGNITION WITH SPRING PC65
006		532001800	QUICKBURNER §102
006		533011100	THERMOCOUPLE 600 M8*1
006		547003400	HIGH-VOLTAGE CABLE L=900
006		533009800	BRASS NUT M8*1
006		532001700	QUICKBURNER §82
006		532001600	BURNER BODY 5,5 KW
006		532001500	BURNER BODY 3,5 KW
006		533010800	TUBE NUT D.10 M16*1,5
006		533039300	BICONE §10
006		533052300	JOINT FOR NOZZLE HOLDER
006		533052400	NUT M20*1 H4
006		533053000	AIR ADJUSTMENT BUSHING §18
006		532001300	BURNER VENTURI 3,5 KW
006		532001400	BURNER VENTURI 5,5 KW
006		533053100	AIR ADJUSTMENT BUSHING §20
006		537015600	BIPOLAR SWITCH
006		531025900	SAFETY TAP 20S-B PEL20S21070
006		539018900	INDEX FOR KNOB
006		533069000	BY PASS COCK §70 20S-21S
006		536017100	BLACK KNOB §70 PIN §8*6,5
006		539022500	ADHESIVE GRADUATED DISC FOR KNOB
006		531025800	SAFETY TAP 20S-B PEL20S2160
006		533069100	BY PASS COCK §60 20S
006		533015400	NOZZLE §93 CH12*14 G-PC4 R
006		533043400	NOZZLE §117 CH12*14 G-PC4 UR
006		533015300	NOZZLE §82 CH12*14 F-PC4 R
006		533043300	NOZZLE §103 CH12*14 F-PC4 UR
006		533015200	NOZZLE §145 CH12*14 F-FP/CP6
006		533019400	NOZZLE §180 CH12*14 L-FQ5
006		533030300	NOZZLE §160 CH12*14 M-FPG
006		533043600	NOZZLE §200 CH12*14 L-PC4 UR
006		533014900	NOZZLE §150 CH12*14 F-FQ5 L-FQ6
006		533043500	NOZZLE §190 CH12*14 G25 PC4R