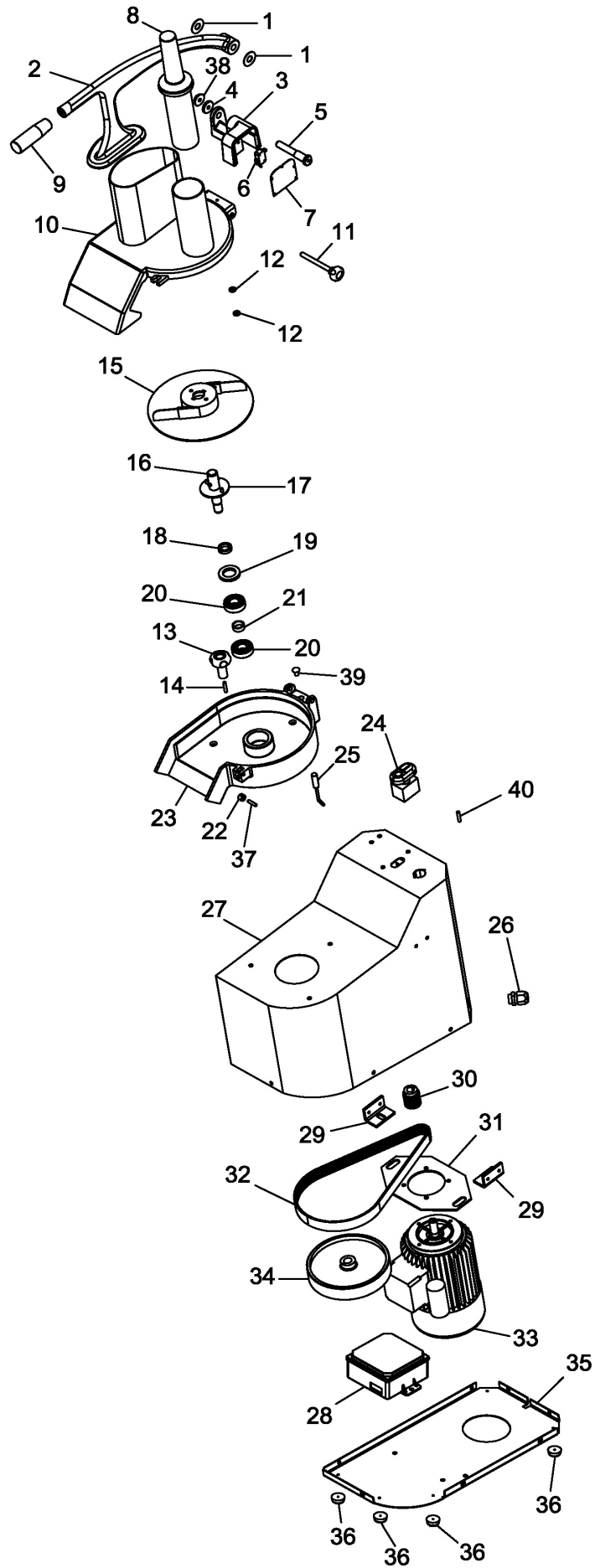


# TV2000R-3000-2500



## TV2000R-3000-2500

Pos. Ref.	Codice Code		Caratteristiche Features	Descrizione Description	
1	SL3274			Rosetta	Washer
2	SL3178			Pressore	Lever press
3	SL3177			Supporto	Support
4	SL1497			Rosetta	Washer
5	SL3176			Perno	Pivot
6	SL0885	●		Microinterruttore	Microswitch
7	SL3180			Coperchio	Cover
8	SL0841	●		Pestello	Pusher
9	SL0106			Impugnatura	Grip
10	SL3424		TV2000R-3000 (Stainless steel)	Bocca	Casing
10	SL3464		TV2500 (Plastic)	Bocca	Casing
11	SL3258		TV2000R	Pomello	Knob
12	SL3425		TV2000R	Magnete	Magnet
13	SL1838	●	TV2000R-3000	Pomello	Knob
13	SL3626		TV2500	Pomello	Knob
14	SL1074		M5x25 A2 (TV2000R-3000)	Grano	Grub screw
14	SL3625		M5x35 A2 (TV2500)	Grano	Grub screw
15	SL0843	●	Low	Disco espulsore	Ejector disk
15	SA2700	●	High	Disco espulsore	Ejector disk
16	SL1360			Albero	Shaft
17	SL1373			Rosetta	Washer
18	SL1376			Spessore	Shim
19	SL1380		ø25xø40x6	Paraolio	Oil seal
20	SL0131		6204 2RS	Cuscinetto	Bearing
21	SL1381			Spessore	Shim
22	SL1388			Anello	Ring
23	SL3174			Corpo	Body
24	SL0891	●	Start-stop (TV2000R-3000)	Pulsante	Push button
24	SA1048		Assembly (TV2500)	Scheda elettronica	Electronic card
25	32W3240		TV2000R	Microinterruttore	Microswitch
26	SL1668		PG11	Pressacavo	Cable clamp
27	SL3540		TV2000R	Carcassa	Housing
27	SL3171		TV3000	Carcassa	Housing
27	SL3469		TV2500	Carcassa	Housing
28	SA1240	●	400V/3Ph/50-60Hz (TV2000R-3000)	Impianto elettrico	Electric installation
28	SA1250	●	230V/1Ph/50-60Hz (TV2000R-3000)	Impianto elettrico	Electric installation
29	SL3184			Staffa	Bracket
30	36G0030			Puleggia	Pulley
31	SL1467			Flangia	Flange
32	SL1473	●	Poly V-762 j10	Cinghia	Belt
33	SL1471		400V/3Ph/50Hz	Motore	Motor
33	SL1470		230V/1Ph/50Hz	Motore	Motor
34	36G6600			Puleggia	Pulley
35	SL3179			Fondo	Bottom
36	SL0235	●		Piedino	Foot
37	SL1391		ø5x22 A2	Spina	Pin
38	SL3575R0			Rosetta	Washer
39	SL2549			Tappo	Tap
40	SL3867			Distanziale	Spacer

(\*) : fuori produzione / out of production

● : ricambio consigliato / spare part suggested