

# Manual Técnico

Máquina de zumo



## SL 2000

Su distribuidor de venta al por menor

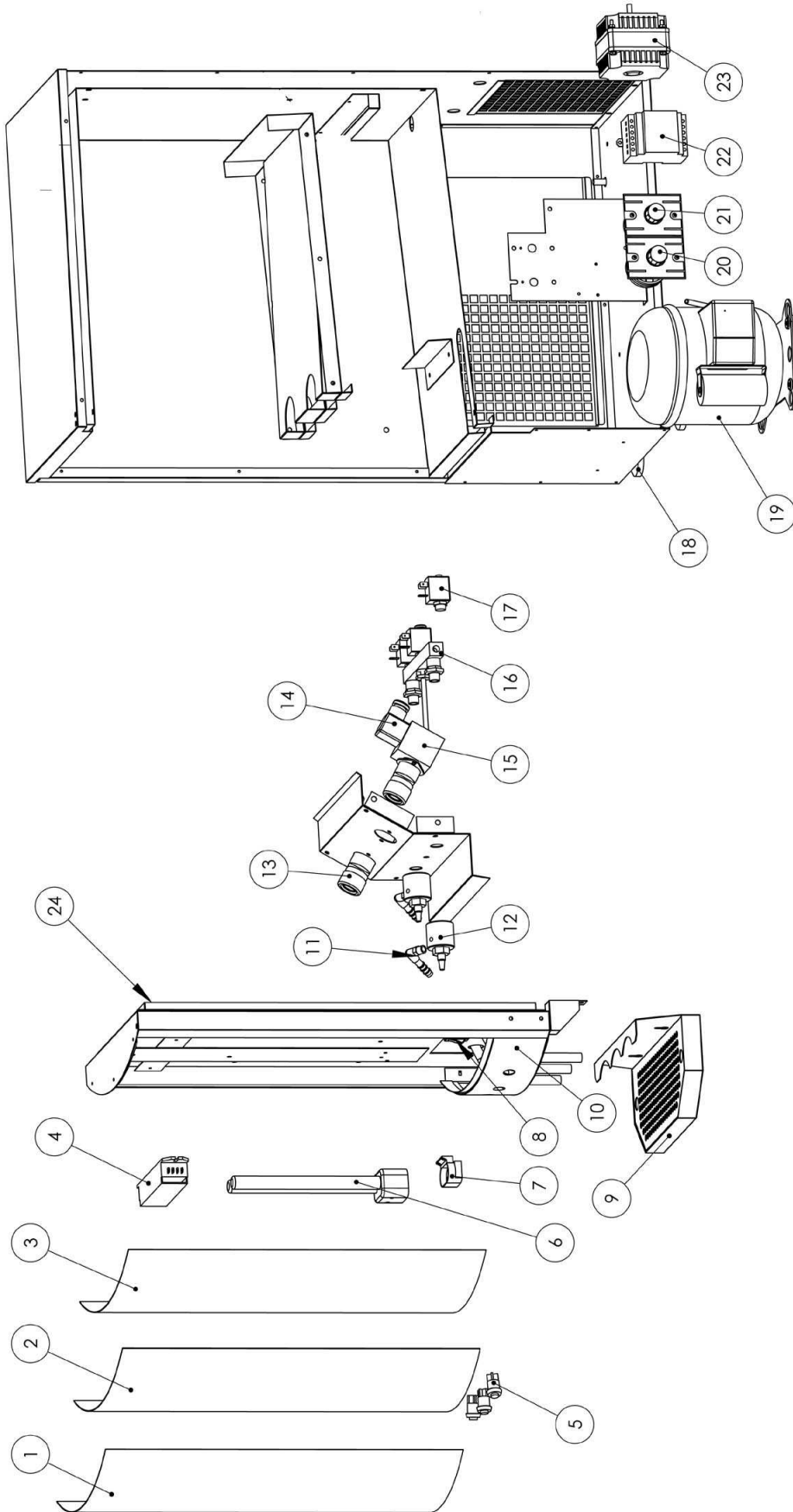
.....

.....

ES

Rev. 100531

# Vista desarrollada



# Lista de piezas de repuesto

Posición	Nº de artículo	Descripción
1	S302092	Acrylic plate
2	S302163	Printed film to front panel SL 2000
3	S302164	Front panel opall SL 2000
4	S302271	Reactor
5	S302019	Push button
6	S302097	Florescent-tube 18w
7	S302060	Support holder for Fluorescent-tube
8	S302025	Valve & light switch
9	S115039	Drip Tray
10	S302166	Push button panel SL2000
11	S121012	Elbow conector 1/8
12	S302009	Ejector kombo
13	S302038	Cover to pinch solenoid vale
14	S302278	Rectifier card
15	S302008	Pinch solenoid vale
16	S302197	Bus bar
17	S302157	Water valve
18	S302109	Foot for dispenser complete
19	S302075	Compressor GL 80
20	S1104586	Thermostat water
21	S1104585	Thermostat inside space
22	S1104588	Transformer
23	S105116	Fan motor 5W
24	S302184	Magnetic list
Not shown:		
	S302020	Cleaning brush
	S302031	Plug drip tray Slim Line
	S302092	Cleaning bottle
	S302049	Printed film frontpanel
	S302041	Push button panel Slim Line
	S302037	Water hose
	S302278	Cable connector for pinch solenoid
	S302005	Venturi by-pass ejector
	S302004	Venturi ejector