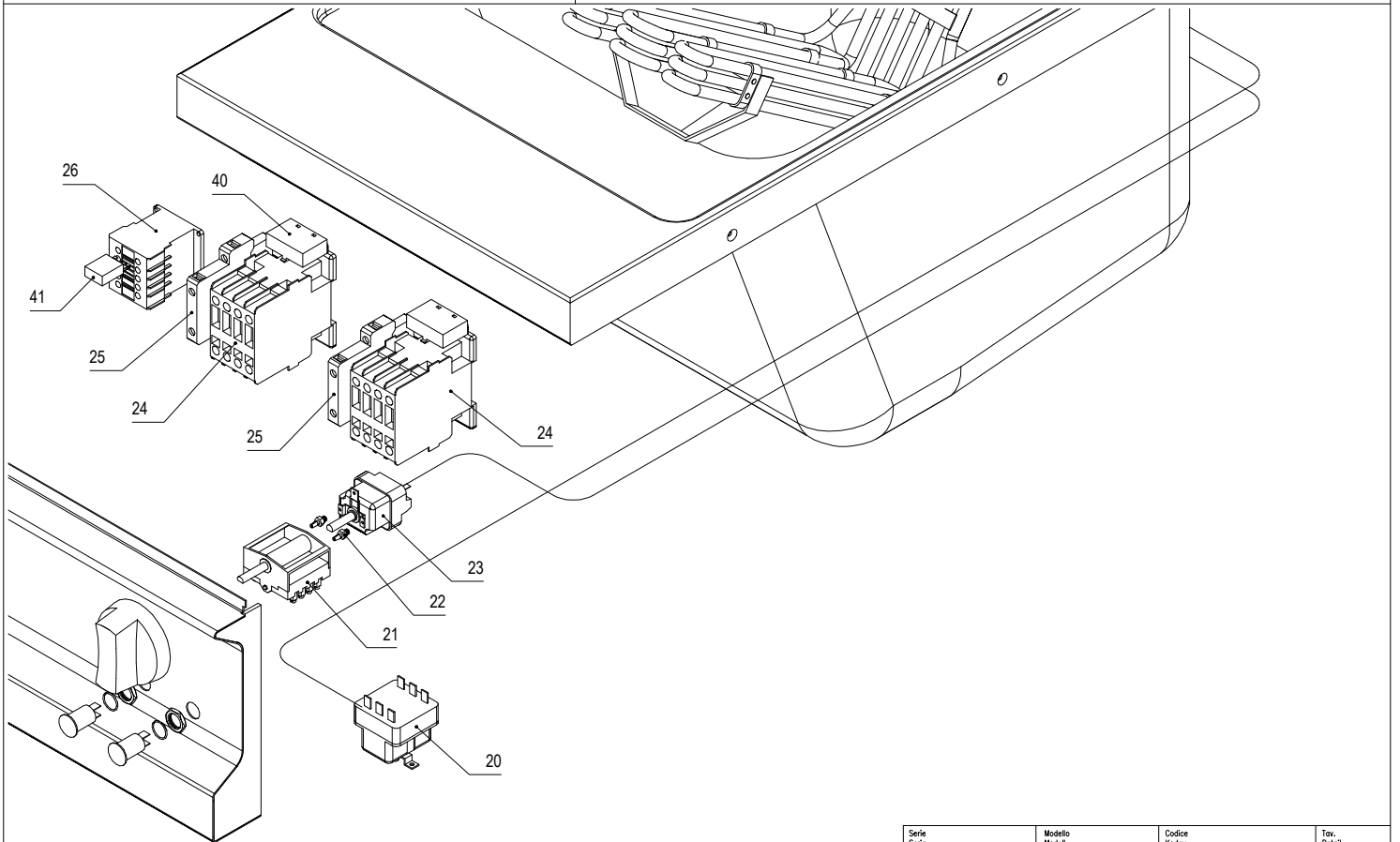
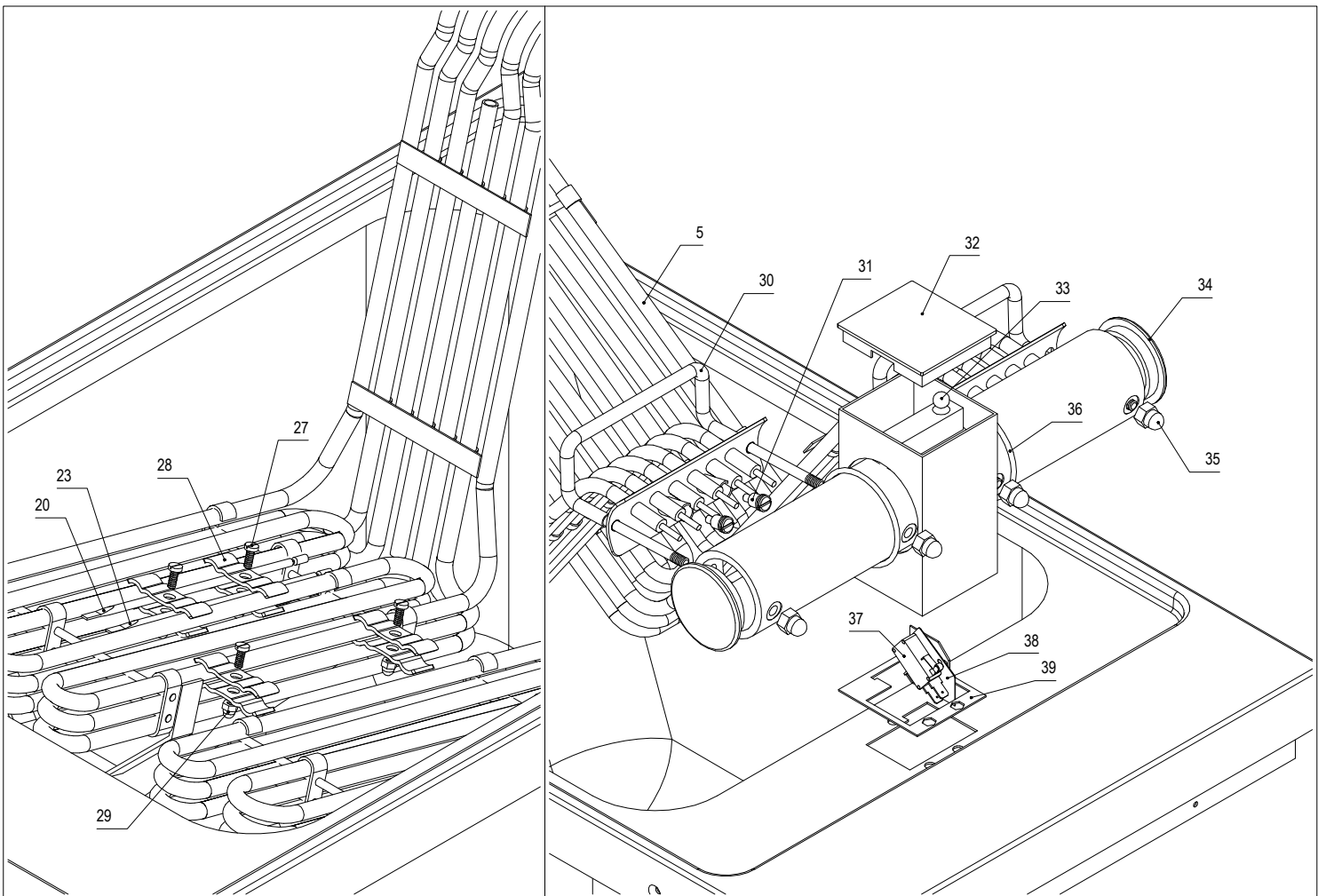


Serie Serie Série	Modello Modell Model	Codice Kodex Code	Tav. Detail Détail
ECOLINE	EF1/40	0103915331	A
Primo numero di serie Erste Seriennummer Première numéro de série	Ultimo numero di serie Letzte Seriennummer Dernière numéro de série	Revision Revision Révision	
Disegnato Gezeichnet	Approvato Geprüft	File Date	Data Datum
T. Tschigg	<i>M. Müller</i>	EF140.DWG	19/07/01
<b>ambach®</b> GROSSKÜCHENTECHNIK - GRANDI CUCINE			39052 Kallern-Caldaro-ITALY Tel. 0471-662213 Telefax 0471-662065



Serie Serie Série	Modello Modell Model	Codice Kodex Code	Tav. Detaill Detaill
ECOLINE	EF1/40	0103915331	B
Primo numero di serie Erste Seriennummer First serial number Première numéro de série	Ultimo numero di serie Letzte Seriennummer Last serial number Dernière numéro de série	Revisione Revision Révision	
Disegnato Gezeichnet	Approvato Geprüft	File Date	Data Datum
T. Tschigg	<i>N. Tschigg</i>	EF140A.dwg	19/07/01
<b>ambach®</b> GROSSKÜCHENTECHNIK - GRANDI CUCINE			39052 Kaltens-Caldaro-ITALY Tel. 0471-662213 Telefax 0471-662065

**0103915331** **Model: EF1/40**  
**Elektro Friteuse 1x15 Liter**  
**Electric fryer 1x15 litres**

**Friggitrice elettrica 1x15 litri**  
**Friteuse électrique 1x15 litres**

Code	Beschreibung	Descrizione	Description	Désignation	Sf/Qty	Start	Finish	SerialInr.
1	3503111033	Deckel	Coperchio	Couvercle	1			EY/FE2/40M
2	5020811177	Korb Friteuse klein	Cestello piccolo friggitrice	Petit frying basket	2			EY/FE2/40M
3	5010111159	Panadensieb groß	Rete residui grande	Large sieve for residues	1			EY/FE1/40M
4	5006311050	Schwenkhaken	Gancio resistenza	Swivelling hook	1			EY/FE/40M
5	5060811194	Heizkörper 7500W 400V	Resistenza 7500W 400V	Heating element 7500W 400V	2			EY/FE/40M
6	5018007498	Kugelventil 1"	Valvola a sfera 1"	Ball valve 1"	1			R250D
7	3560510392	Anschlussklemme 5P	Morsettiera 5P	Connection terminal 5P	1			PA/220 Sez16
8	5022909977	Schaltknopf 120°-190° C	Manopola 120°-190° C	Knob 120°-190° C	1			FE/40/80M
9	5040316827	Mutter 6kt Messing	Dado esagonale ottone	Hexagon brass nut	2			M13x0,75
10	5017316826	Silikondichtring	Guarnizione anello silicone	Silicon sealing ring	2			D 12,8 MM
11	5061111708	Signalleuchte weiß	Lampada spia bianca	White control lamp	1			SGF 230V
12	5061111706	Signalleuchte gelb	Lampada spia gialla	Yellow control lamp	1			SGF 230V
13	3012009010	Scharnier oben	Cerniera superiore	Upper hinge	1			CP/75
14	5027609400	Rolle Kunststoff Geräte	Boccola nylon apparecchiature	Bushing nylon appliances	1			66 Naturel
15	3006308990	Halter Scharnier unten	Supporto cerniera inferiore	Upper hinge holder	1			CP/75
16	5040202717	Beilagscheibe	Rondella	Washer	2			D=6,6x18 Inox
17	5041001079	Festklemmschraube 6kt	Vite zigrinata	Hexagon screw clamp	2			M6x12 Verz.
18	3503411716	Einfassung + Wanne	Piano + vasca	Surface + basin	1			EF1/40
19	5029709133	Magnet Tür	Magnete portina	Door magnet	1			S/75
20	5061610988	Sicherheits thermostat	Termostato limitatore	Safety thermostat	1			EY/FE/40M
21	5060910023	Stufenschalter	Commutatore	Step switch	1			EY/FE/40M
22	5009600963	Verbindungsstift	Perno fissaggio	Connecting pin	2			EY/FE/40M
23	5061610987	Thermostat 100°-185° C	Termostato 100°-185° C	Thermostat 100°-185° C	1			EY/FE/40M
24	5061411123	Schutz CGE CLO2	Contattore CGE CLO2	Contacteur CGE CLO2	2			A400T6
25	5061410718	Hilfskontakt	Contatto ausiliare	Auxiliary contact	2			BCLL11
26	5061411122	Schutz CGE 230V	Contattore CGE 230V	Contacteur-disjonc. CGE 230V	1			MC1A301AT6
27	5041810796	Zylinderschraube	Vite tc	Cylinder screw	4			M4x10 Inox
28	3006311128	Halter Fühler	Supporto bulbo	Probe holder	8			FE2/40/M
29	5040410816	Hutmutter Inox	Dado es. cieco inox	Hexagonal nut inox	4			M4
30	3006311173	Halter Korb	Supporto cestello	Basket holder	2			EY/FE/40M
31	5050210769	Blindstopfen M9x1	Tappo maschio M9x1	Capscrew M9x1	2			EY/FE/FE40M
32	5000811199	Abdeckung rechteckig	Coperchio quadro	Rectangular cover	1			EY/FE/AM
33	5008501752	Stahlkugel 3/8"	Sfera acciaio 3/8"	Sphere steel 3/8"	1			D=9,525mm
34	5000811198	Abdeckung rund	Coperchio tondo	Round cover	2			EY/FE/AM
35	5040403214	Hutmutter Inox	Dado es. cieco inox	Hexagonal nut inox	4			M6
36	5017311179	Dichtung O-Ring	Guarnizione O-ring	Seal O-ring	2			50,52x1,78
37	5060909894	Mikroschalter	Microinterruttore	Micro switch	1			EY/FE/40M
38	5017311175	Dichtung Mikro	Guarnizione micro	Micro seal	1			EY/FE/40M
39	3006311172	Halter Mikro	Supporto micro	Micro holder	1			EY/FE/40M
40	5050912346	Schutzstiftfilter	Filtro antisturbo	Radioshielding filter	2	12/04/00		130/240 V
41	5050912348	Schutzstiftfilter	Filtro antisturbo	Radioshielding filter	1			72/250 V 50/60 Hz
42	3015412119	Wanne Ölablauf	Vasca scarico olio	Oil drain basin	1			GF/GY1/EF/EY