

# G2S928P

G2S928P

CATALOGO PARTI DI RICAMBIO  
CATALOGUE PIECES DETACHEES  
ERSATZTEILKATALOG  
SPARE PARTS CATALOGUE





**Catalogo parti di ricambio valido  
dalla matricola 0000001 (31.10.2006) ad oggi (06.01.2017)**

**Catalogue pieces detachees  
valable à partir du numero de Série n. 0000001 (31.10.2006) jusqu'à aujourd'hui  
(06.01.2017)**

**Ersatzteilkatalog  
gültig ab Serien-Nr. 0000001 (31.10.2006) bis heute (06.01.2017)**

**Spare parts catalogue  
valid from serial no. 0000001 (31.10.2006) up today (06.01.2017)**

**Catálogo de peças de reposição  
válido do número de série 0000001 (31.10.2006) até hoje (06.01.2017)**

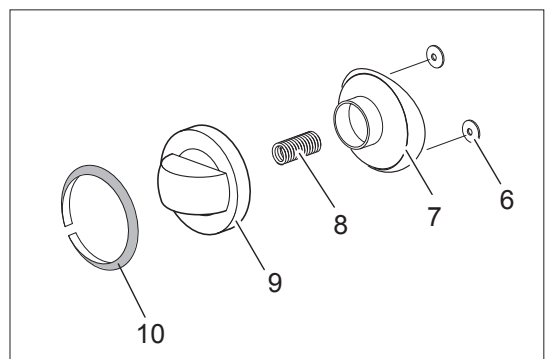
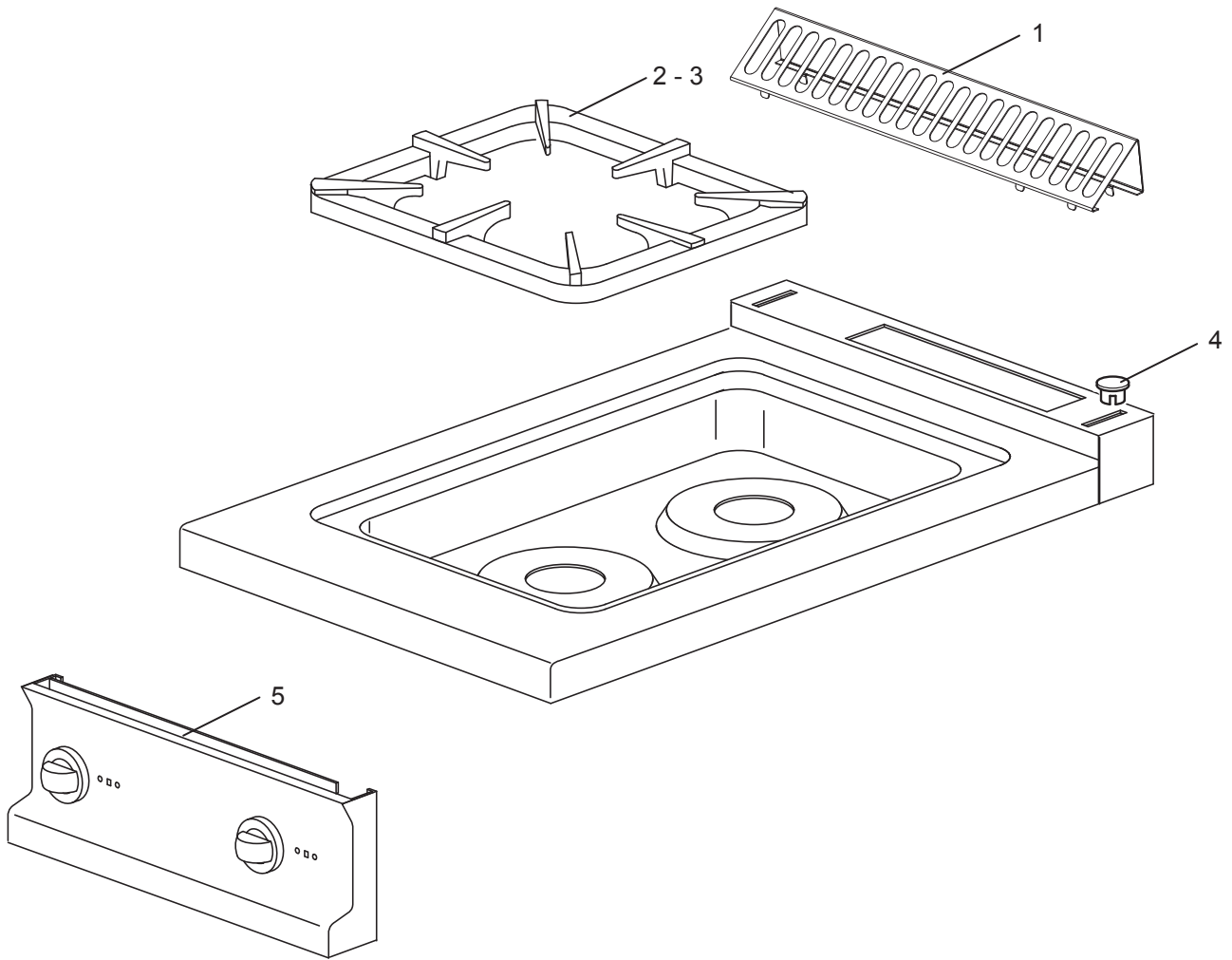
Le informazioni sono considerate non vincolanti. Le immagini rappresentate sono puramente indicative. Il produttore si riserva il diritto di apportare modifiche in qualsiasi momento senza preavviso.

Les informations données ne sont pas contraignantes. Les images montrées sont à titre indicatif. Le producteur se réserve le droit d'apporter des modifications sans préavis.

Die im vorliegenden Dokument aufgeführten Informationen und Bilder sind unverbindlich. Der Hersteller behält sich das Recht vor, jederzeit ohne vorherige Ankündigung Änderungen vorzunehmen

Info and drawing could be slightly different from reality and they cannot be considered as compelling. Manufacturer can modify info anytime without forewarning.

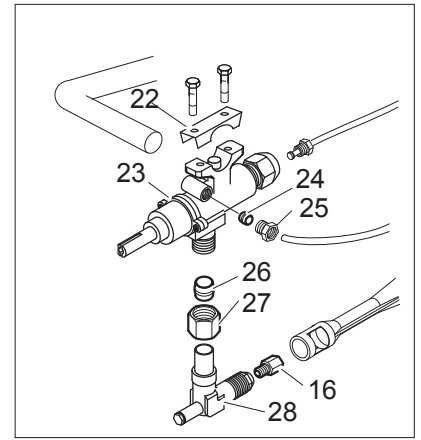
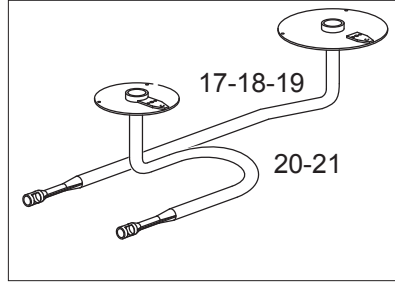
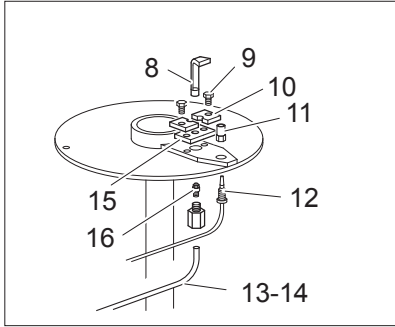
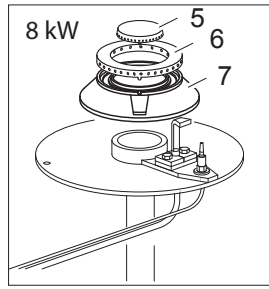
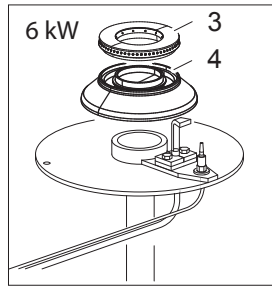
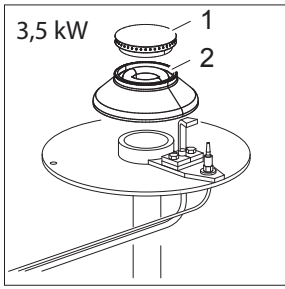
As Informações e desenhos podem estar um pouco diferente da realidade e são puramente indicativas. O fabricante pode modificar estas informações a qualquer momento sem aviso prévio.



| <b>Nr.</b> | <b>Code</b> | <b>Title</b>                                | <b>Recommended</b> |
|------------|-------------|---------------------------------------------|--------------------|
| 1.         | 182797      | <i>GRILLE POUR CHEMINÉE</i>                 | N                  |
| 2.         | 182356      | <i>GRILLE INOX</i>                          | N                  |
| 3.         | 182140      | <i>SINGLE CAST IRON GRID</i>                | N                  |
| 4.         | 163603      | <i>BOUCHON FIX.PLAQUE DOMINA</i>            | N                  |
| 5.         | 183410      | <i>CONTROL PANEL</i>                        | N                  |
| 6.         | 176318      | <i>ELASTIC METAL CLIP -WASHER DIAM 4 MM</i> | S                  |
| 7.         | 171439      | <i>GAS VALVE KNOB HOUSING G4S11</i>         | S                  |
| 9.         | 171437      | <i>GAS VALVE KNOB BODY G4S77 SILVER</i>     | S                  |
| 10.        | 174332      | <i>GAS VALVE KNOB LABEL G2S11</i>           | S                  |



| <b>Nr.</b> | <b>Code</b> | <b>Title</b>              | <b>Recommended</b> |
|------------|-------------|---------------------------|--------------------|
| 1.         | 183269      | <i>BACK SIDE</i>          | N                  |
| 2.         | 183457      | <i>TOLE LATERAL</i>       | N                  |
| 3.         | RTCU700324  | <i>FOOT S.G4S7 TOP/32</i> | N                  |



| <b>Nr.</b> | <b>Code</b> | <b>Title</b>                          | <b>Recommended</b> |
|------------|-------------|---------------------------------------|--------------------|
| 5.         | 160295      | CHAPEAU DE BRULEUR 1KW CENT.G4S9      | S                  |
| 6.         | 160294      | CHAPEAU DE BRULEUR 7KW G4S9           | S                  |
| 7.         | 160296      | BRUL.8KW G4S9 EMAILL.                 | S                  |
| 8.         | RTCU700372  | PILOTE P.L.+IN.035 G4SF7 GK803MBM     | N                  |
| 9.         | RTMIN00063  | SCREW                                 | N                  |
| 10.        | 172882      | Pilot fixing plate G4SF7              | N                  |
| 11.        | RTCU700391  | ECROU FIX.THERMOCOUPLE G4SF7 G6049023 | N                  |
| 12.        | RTCU700374  | THERMOCOUPLE 60 P.L.G4SF7 G1712214    | S                  |
| 13.        | 173390      | FRONT BURNER PILOT PIPE               | N                  |
| 14.        | 173391      | BACK BURNER PILOT PIPE                | N                  |
| 15.        | 172883      | PILOT GASKET G4SF7/1                  | S                  |
| 16.        | INIETTORE   | SEE HANDBOOK NOZZLES                  | N                  |
| 17.        | 164558      | TUYAU ALIM.ARRIERE BRUL.8KW G4S9/1    | N                  |
| 20.        | 164559      | TUYAU ALIM.ANT.BRUL.8KW G4S9/1        | N                  |
| 22.        | 167184      | SAFETY VALVE BRIDLE                   | S                  |
| 23.        | 167997      | GAS TAP G4S77                         | S                  |
| 24.        | RTCU900018  | BICONE D.6 PEL0905                    | S                  |
| 25.        | RTCU900019  | ECROU D.6 PEL0903/1                   | S                  |
| 26.        | RTCU900012  | BICONE D.10                           | S                  |
| 27.        | RTCU700297  | ECROU D.10 FIX/SORTIE ROB.V.21S       | S                  |
| 28.        | 173320      | INJECTOR SUPPORT                      | S                  |