

# WAREWASHER

ELECTROMECHANICAL SWITCHES  
DOUBLE BODY VERSION

TYPE: 60U

Accessories

BOOSTER PUMP

DVGW

DETERGENT DISPENSER

DRAIN PUMP

---

## Spare parts

---





## 1. Spare parts

<b>General body parts.....</b>	<b>7</b>
<b>Lockup system .....</b>	<b>9</b>
<b>Control panel .....</b>	<b>11</b>
<b>Control electric components.....</b>	<b>13</b>
<b>Solenoid valve group .....</b>	<b>15</b>
<b>Booster pump.....</b>	<b>17</b>
<b>DVGW .....</b>	<b>19</b>
<b>Shining product dosing device group .</b>	<b>21</b>
<b>Boiler group .....</b>	<b>23</b>
<b>3 ways derivation .....</b>	<b>25</b>
<b>Wash pump .....</b>	<b>27</b>
<b>Dosing device group .....</b>	<b>29</b>
<b>Dosing device group .....</b>	<b>31</b>
<b>Drain pump group.....</b>	<b>33</b>
<b>Pressure switch group with air trap ...</b>	<b>35</b>
<b>Turret group with rotating arms .....</b>	<b>37</b>

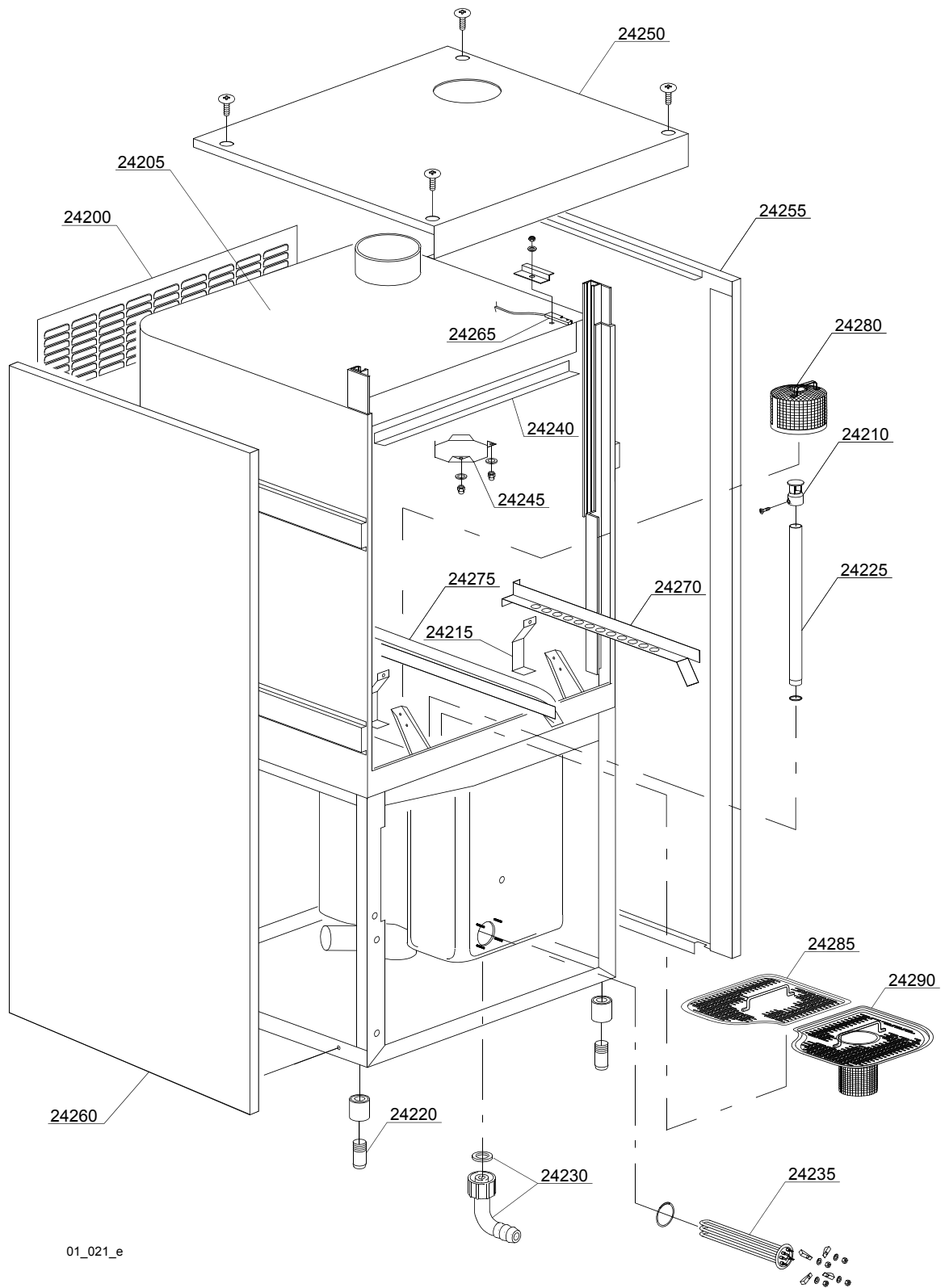


## 1.1 Voltage codes

Voltage code	Voltage
A	3/N/PE~400/230V 50Hz
B	~250V 16A 50Hz
C	3/N/PE~380/220V 50Hz
D	3/PE~200V 50-60Hz
F	2/PE 220-240V 50Hz
G	3/N/PE~415/240V 50Hz
H	3/PE~230V 50Hz
I	3/PE~220V 60Hz
J	3/PE~380 50Hz
K	3/PE~400V 50Hz
L	3/PE~415V 50Hz
M	3/PE~440V 60Hz
N	3/PE~460V 60Hz
O	3/PE~480V 60Hz
P	1/N/PE~220-240V 50Hz
R	2/PE~220-230V 60Hz
S	3/N/PE~400/230V 50Hz
T	3/PE~230V 60Hz

## 1.2 Product codes

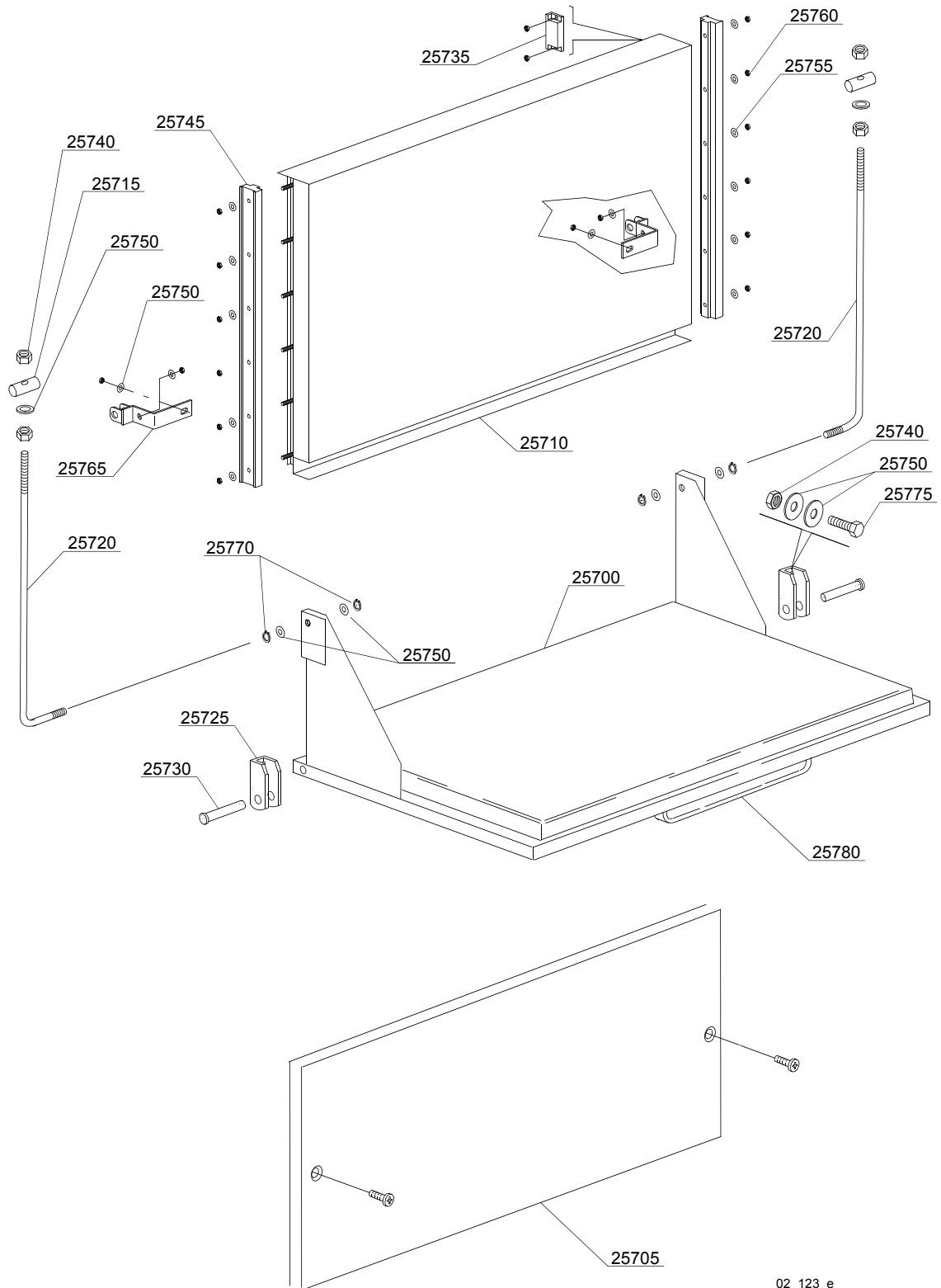
Product code	Full name
Model codes	
em	ELECTROMECHANICAL SWITCHES
dc	DOUBLE BODY VERSION
Type codes	
60U	60U
Accessory codes	
pap	BOOSTER PUMP
dvgw	DVGW
dde	DETERGENT DISPENSER
ps	DRAIN PUMP



01\_021\_e

## Spare parts

ID	P-code	Model	Type	Accessory	Voltage	Description
MODULE:General body parts						
24200	90908		60U			Back panel
24205	90900		60U			Body
24210	11600019		60U			Terminal overflow pipe
24215	22254		60U			Right/left splash guard
24220	15116		60U			Foot
24225	90013		60U			Overflow pipe
24230	15613		60U			Drain elbow
24235	15046		60U			3KW heating element
24240	90914		60U			Upper splash guard
24245	22232		60U			Chimney splash guard
24250	90907		60U			Tank
24255	90905		60U			Right lower panel
24260	90906		60U			Left lower panel
24265	3003112		60U			Door micro reed
24270	90910		60U			Right internal slide
24275	90911		60U			Left internal slide
24280	90014		60U			Suction filter
24285	90913		60U			Surface filter
24290	90912		60U			Front surface filter



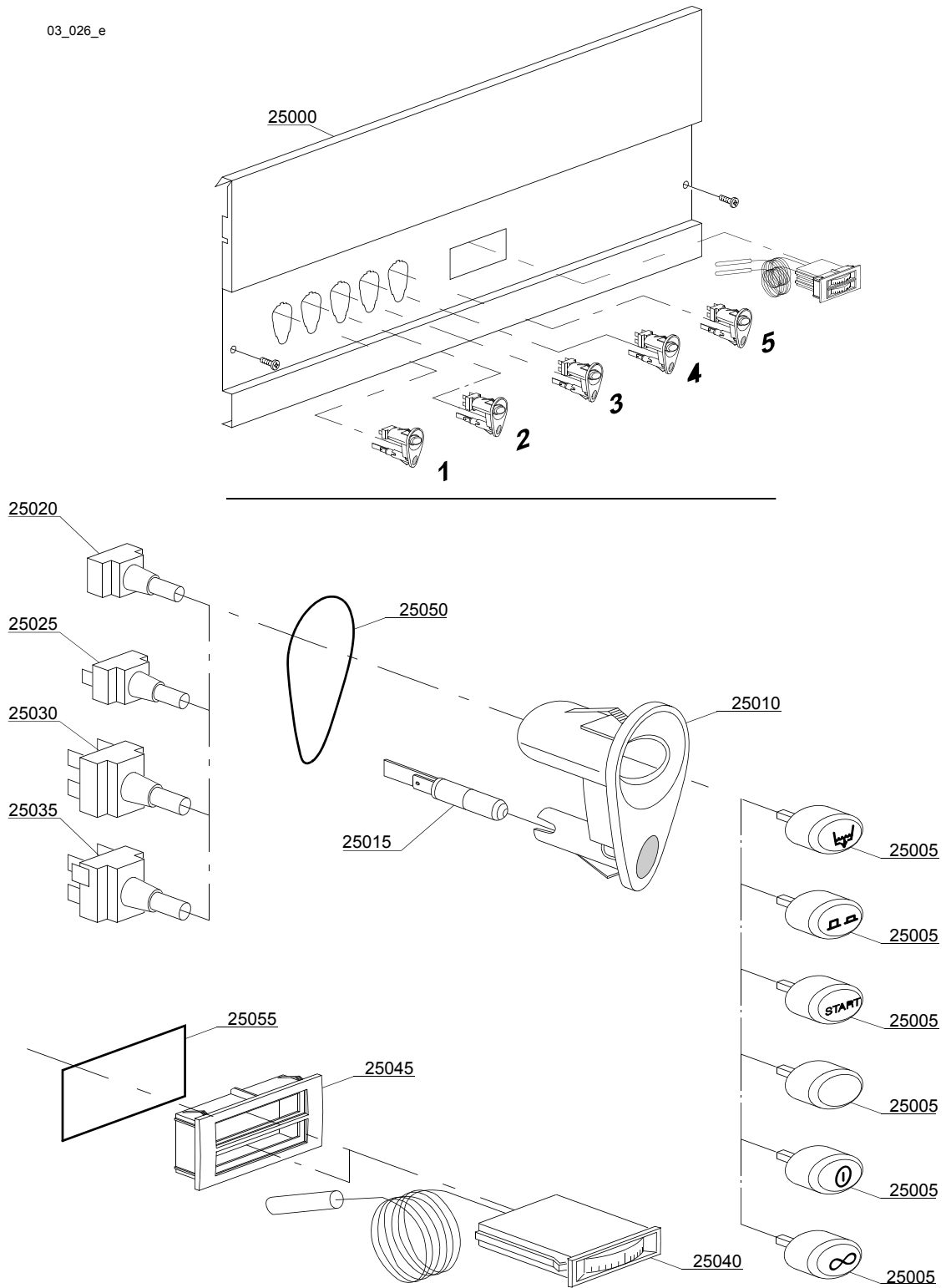
02\_123\_e



## Spare parts

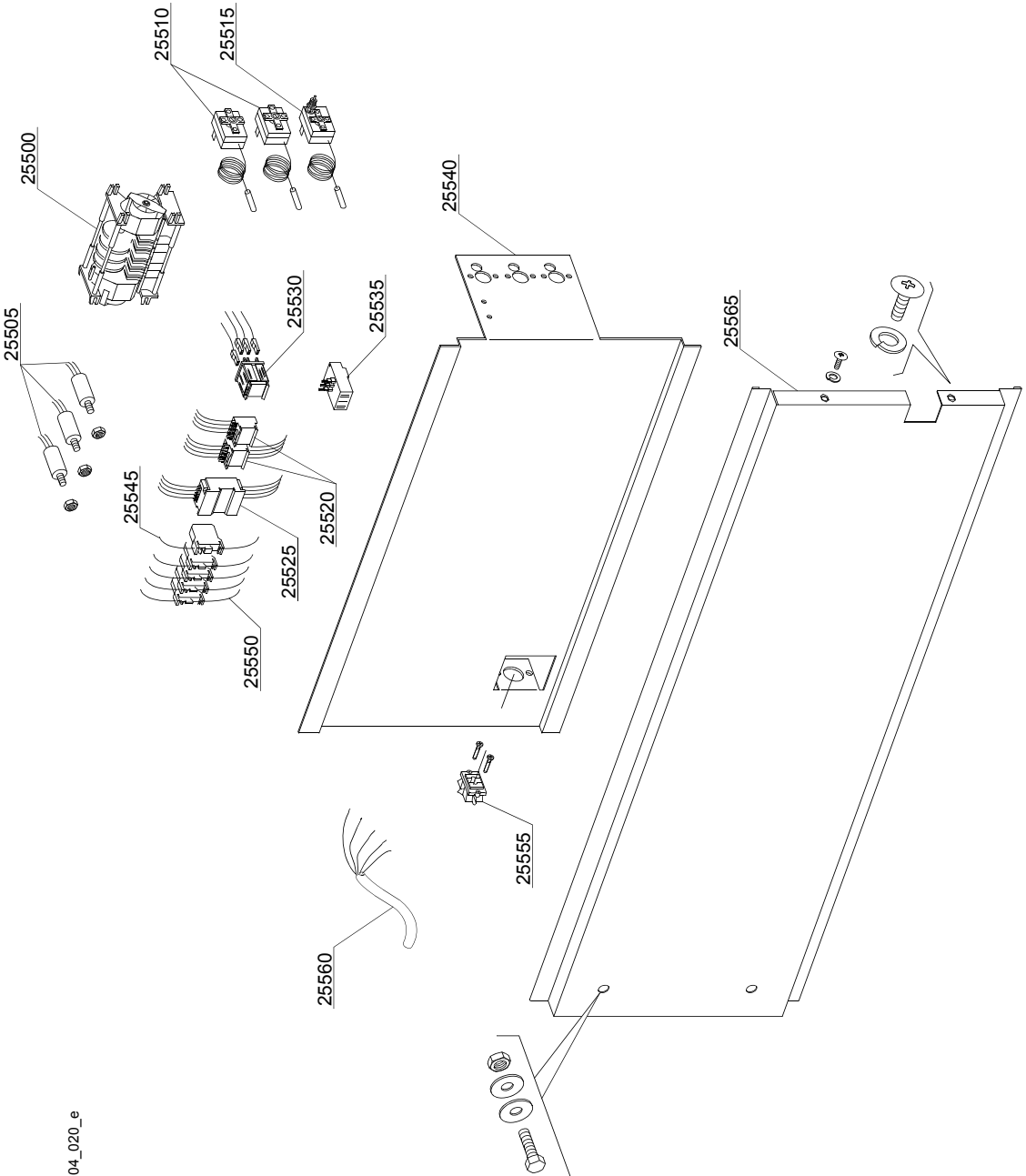
ID	P-code	Model	Type	Accessory	Voltage	Description
MODULE:Lockup system						
25700	90902		60U			Door with steel handle
25705	90909		60U			Lower door
25710	90901		60U			Upper door
25715	22219		60U			Small cylinders
25720	22220		60U			Door rod
25725	22206/B		60U			Door support
25730	22220/A		60U			Hinge door
25735	80232		60U			Reed magnet
25740	11721		60U			Nut
25745	90024		60U			Slide for door
25750	11177		60U			Plain washer
25755	11176		60U			Plain washer
25760	11169		60U			Nut
25765	90916		60U			Door movement support
25770	11815		60U			Ø8 stainless steel snap ring
25775	11104/B		60U			M6x16 stainless steel screw

03\_026\_e



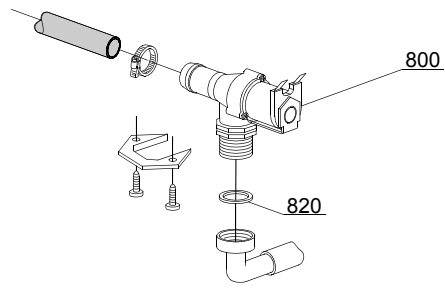
## Spare parts

ID	P-code	Model	Type	Accessory	Voltage	Description
MODULE:Control panel						
25000	90903		60U			Control panel
25005	89343		60U	dp		Drain pump key
25005	89342		60U			Time push selector switch key
25005	89341		60U			Start key
25005	89348		60U			Blind key
25005	89340		60U			ON-OFF key
25005	89346		60U			Continuous cycle key
25010	89300		60U			Key support
25015	15826		60U			Pilot lamp
25020	15844		60U			Key support
25025	15813		60U			16A unipolar push button
25030	15812		60U			16A switch
25030	15800		60U			16A bipolar push button
25035	15811		60U			16A bipolar switch
25035	15811/A		60U			16A bipolar switch push button
25040	10500011		60U			Thermometer
25045	89306		60U			Double thermometer support
25050	89332		60U			OR gasket
25055	89331		60U			OR gasket



04\_020\_e

ID	P-code	Model	Type	Accessory	Voltage	Description
MODULE:Control electric components						
25500	22011		60U		A	"120/240"" timer with thermostop"
25500	22011/C		60U		A	"120/250"" timer with thermostop"
25505	15149		60U			Low noise filter
25510	10707/1		60U			0-90°C thermostat
25515	2000430		60U			Safety thermostat
25520	15086		60U			Remote control switch 230V 50/60Hz 4C
25520	15086/B		60U			Remote control switch
25525	10300050		60U			25A/12A remote control switch
25530	560301		60U			Relay
25535	88112		60U			4,5-7,5A RF9 temperature relay
25535	88113		60U			6-10A temperature relay - RF9
25540	11600619		60U			Electric component panel
25545	10300401		60U			6/8mm <sup>2</sup> yellow/green terminal
25550	10300403		60U			6mm <sup>2</sup> terminal
25555	15065/A		60U			Cable-fastener with screw
25560	80200		60U			5x4x3400 cable
25560	75359		60U			4x6 flame-retardant cable
25565	90918		60U			Upper electric component panel



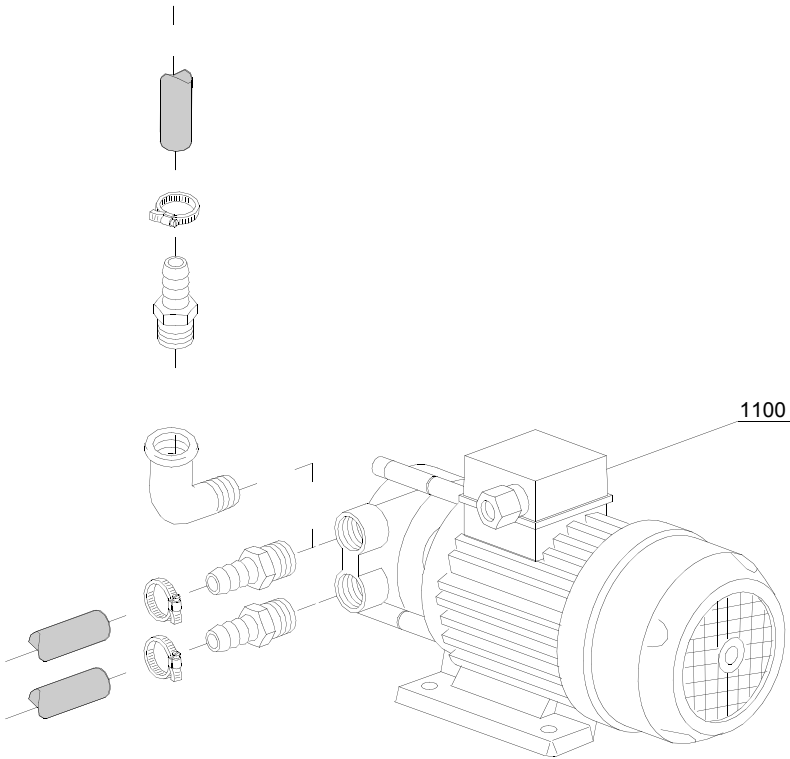
05\_005\_e

## Spare parts

---

ID	P-code	Model	Type	Accessory	Voltage	Description
MODULE:Solenoid valve group						
800	30001000		60U			Single solenoid valve
820	N.C.		60U			Pression reducing valve

07\_002\_e

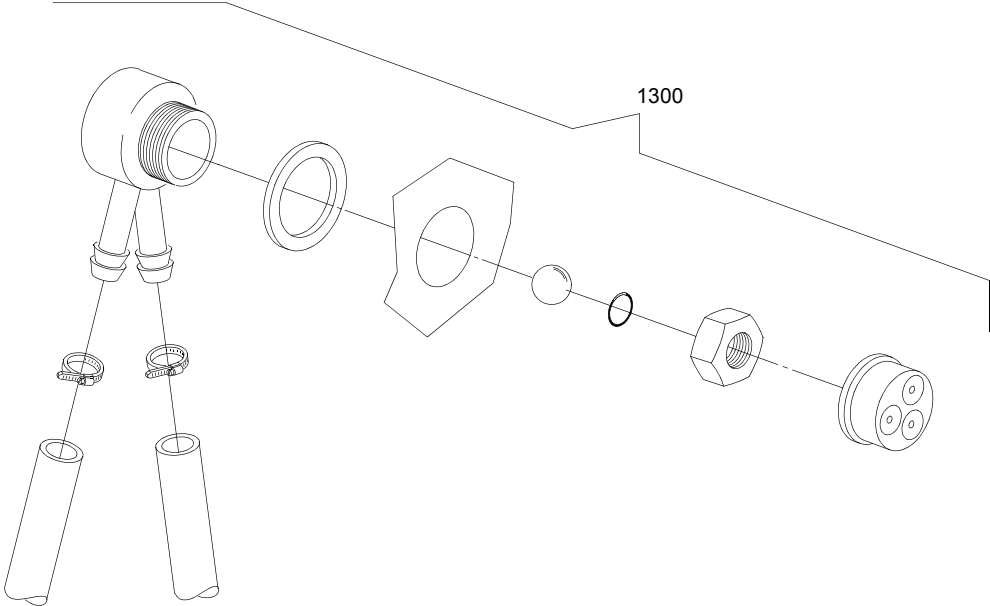




**Spare parts**

---

ID	P-code	Model	Type	Accessory	Voltage	Description
MODULE:Booster pump						
1100	15100		60U	bp		Booster pump



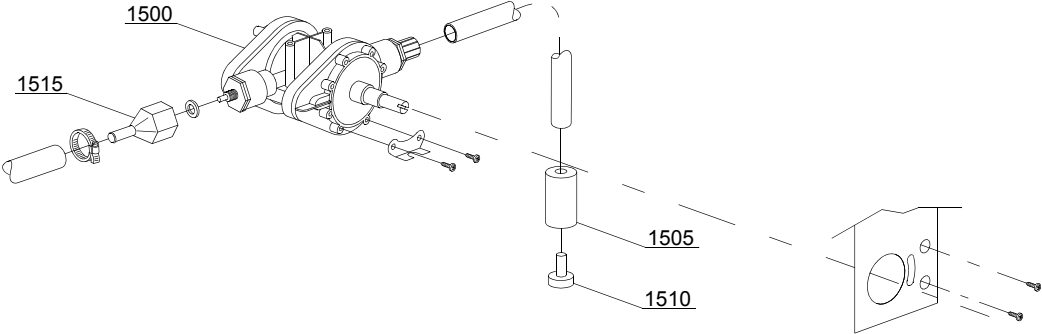
08\_005\_e

**Spare parts**

---

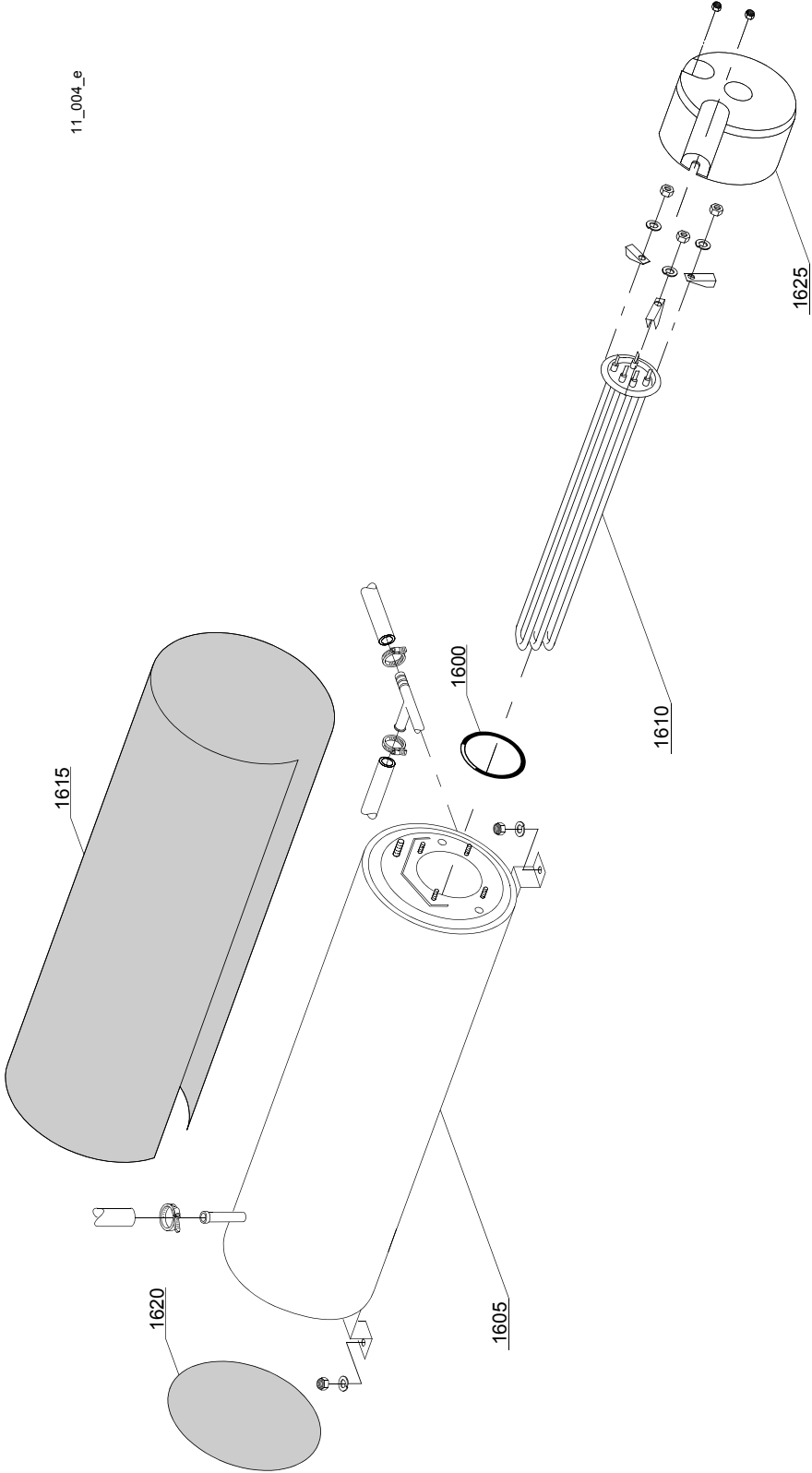
ID	P-code	Model	Type	Accessory	Voltage	Description
MODULE:DVGW						
1300	999900006		60U	dvgw		DVGW assembly

10\_002\_e



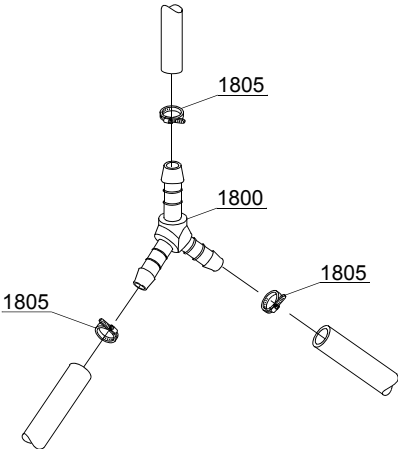
## Spare parts

ID	P-code	Model	Type	Accessory	Voltage	Description
MODULE:Shining product dosing device group						
1500	10798		60U			Shining product dosing device
1505	12525		60U			Counter-weight
1510	15058		60U			Small filter
1515	10798/B		60U			Brass pipe fitting



## Spare parts

ID	P-code	Model	Type	Accessory	Voltage	Description
MODULE:Boiler group						
1600	13015		60U			6225 OR 160 NBR gasket
1605	22002		60U			Boiler
1610	30001010		60U			6KW heating element
1615	30002030		60U			Insulating boiler
1620	75205		60U			Ø160 bottom
1625	75311		60U			Heating element guard



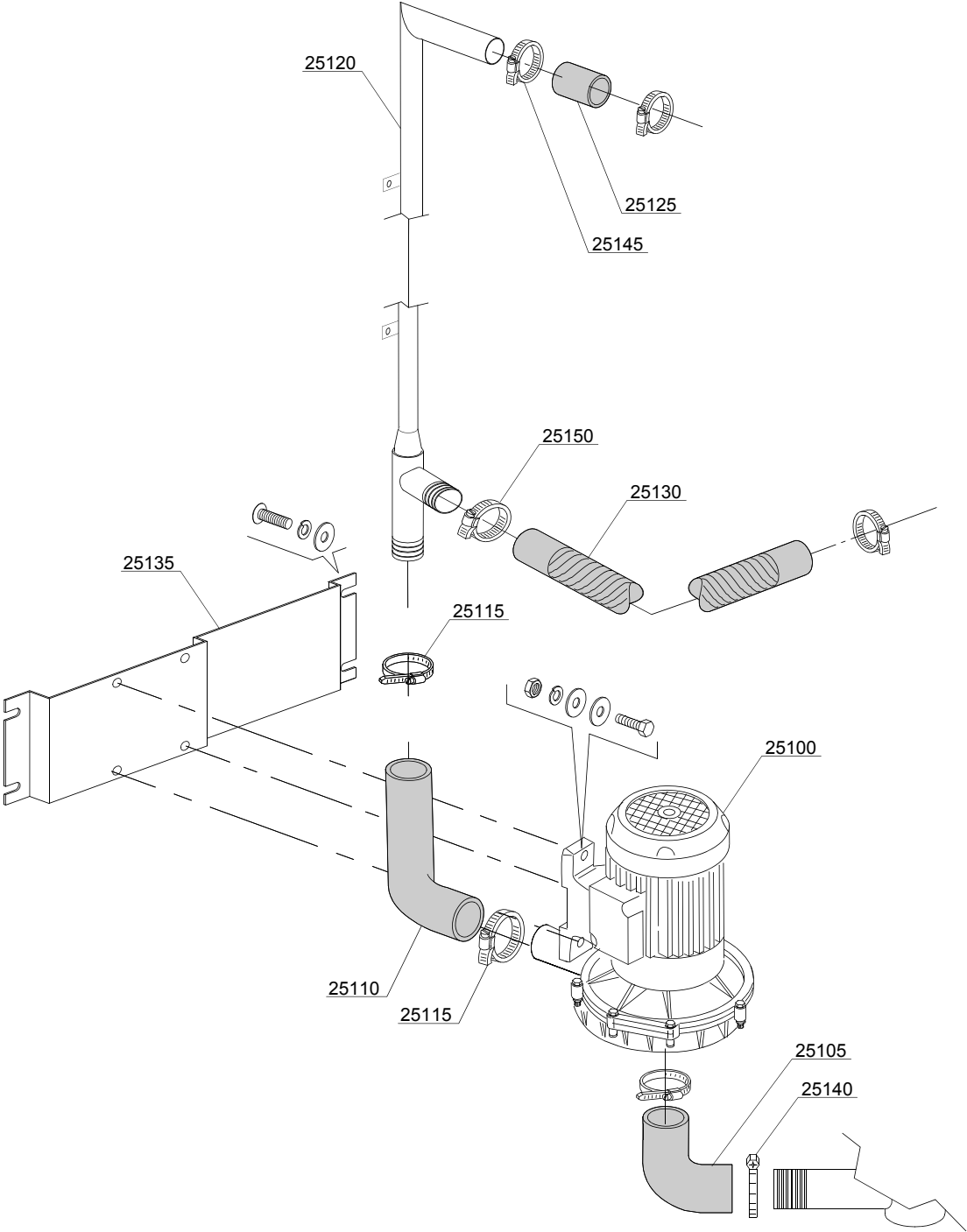
12\_003\_e



## Spare parts

---

ID	P-code	Model	Type	Accessory	Voltage	Description
MODULE:3 ways derivation						
1800	540091		60U			Ø12 mm plastic 3 ways derivation
1805	11807		60U			12/22 clamp

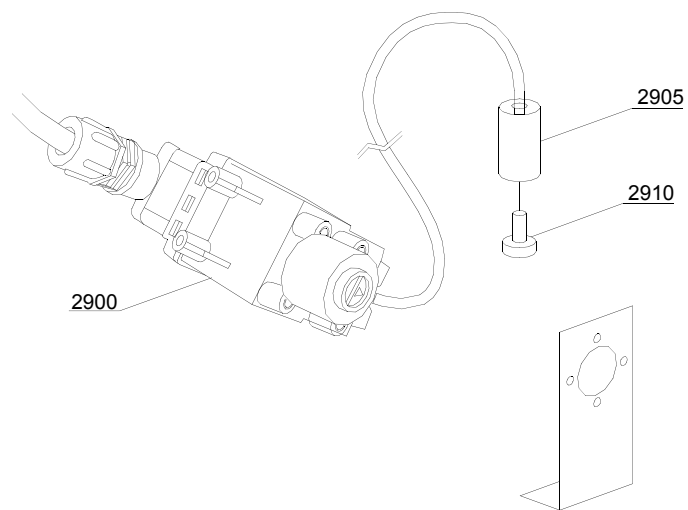
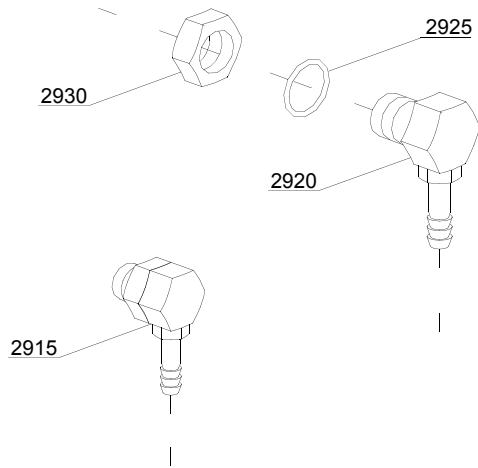


13\_116\_e

## Spare parts

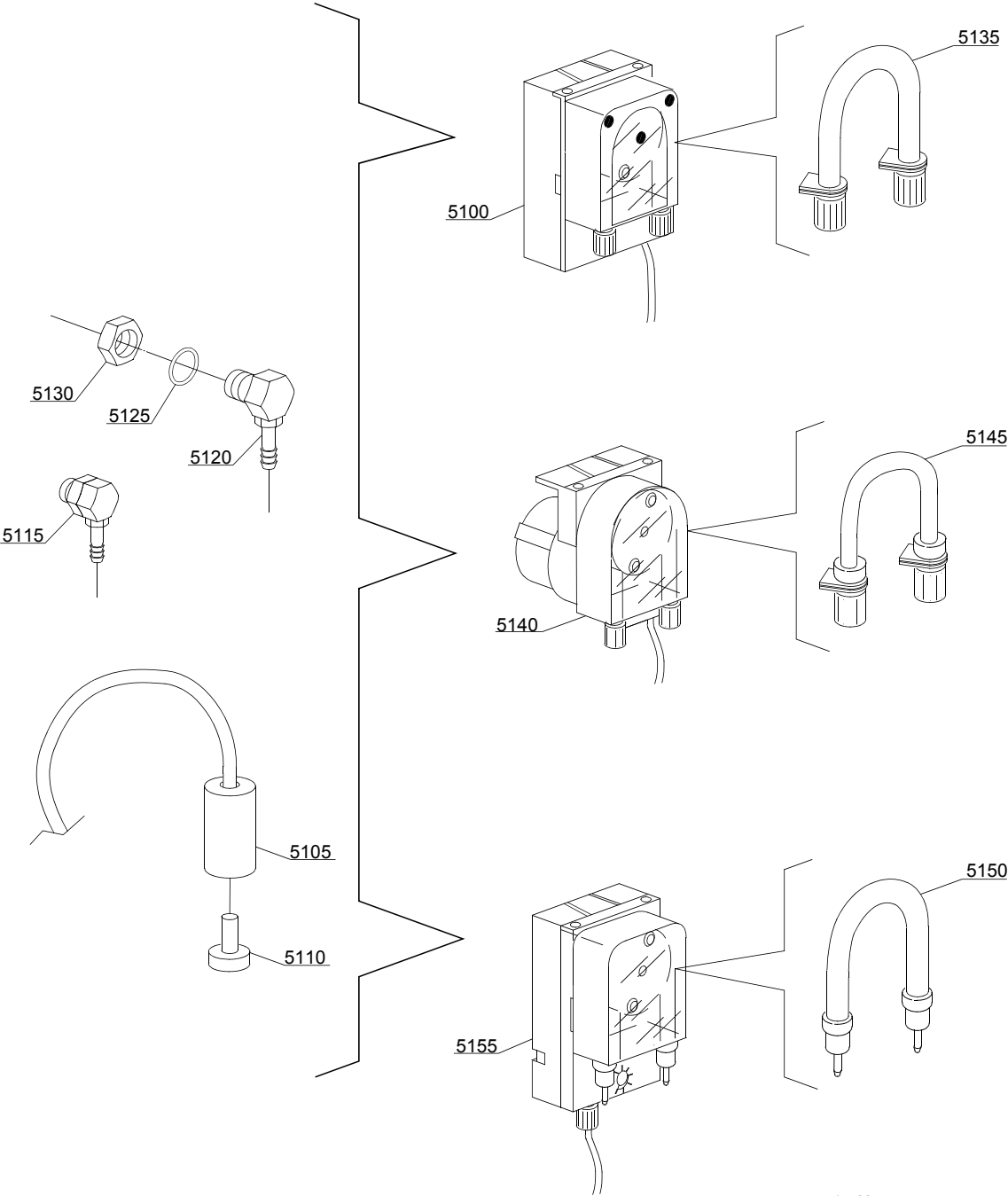
ID	P-code	Model	Type	Accessory	Voltage	Description
MODULE:Wash pump						
25100	22037		60U			2Hp pump
25105	3002020		60U			Suction pipe coupling
25110	3004025		60U			Top delivery pipe
25115	11824		60U			50/70 clamp
25120	90001		60U			Wash ramp
25125	90029		60U			34x45x250 pipe
25130	90030		60U			45x55x280 pipe
25135	90917		60U			Pump support
25140	2902491		60U			60/80 clamp
25145	11809		60U			30/45 clamp
25150	11810		60U			40/60 clamp

14\_002\_e



## Spare parts

ID	P-code	Model	Type	Accessory	Voltage	Description
MODULE:Dosing device group						
2900	15108/L		60U	dd		Lang dosing device
2905	12525		60U	dd		Counter-weight
2910	15058		60U	dd		Small filter
2915	15123		60U	dd		Compleat plastic injector
2920	15148		60U	dd		Steel injector
2925	15159		60U	dd		OR gasket
2930	10200205		60U	dd		M12x1 stainless steel nut

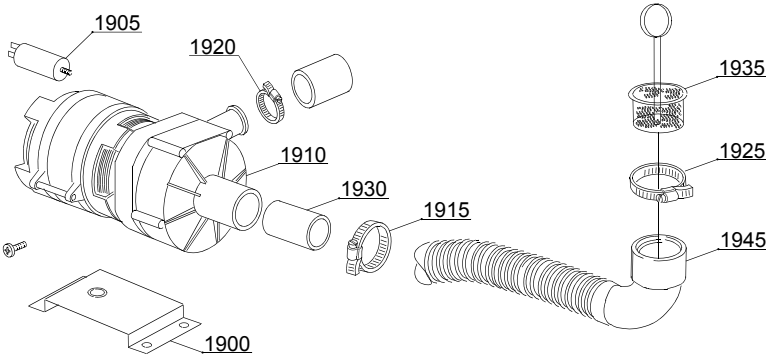


14\_004\_e

## Spare parts

ID	P-code	Model	Type	Accessory	Voltage	Description
MODULE:Dosing device group						
5100	15985		60U	dd		Seko dosing device
5105	12525		60U	dd		Counter-weight
5110	15058		60U	dd		Small filter
5115	15123		60U	dd		Complet plastic injector
5120	15148		60U	dd		Steel injector
5125	15159		60U	dd		OR gasket
5130	10200205		60U	dd		M12x1 stainless steel nut
5135	15185		60U	dd		Ø 10 Seko thermoplastic pipe
5140	15985		60U	dd		Germac dosing device
5145	15108/E		60U	dd		Ø 8 Germac thermoplastic pipe
5150	15985/A		60U	dd		Ø 10 PLAS CONT thermoplastic pipe
5155	15985		60U	dd		PLAS CONT detergent pipe

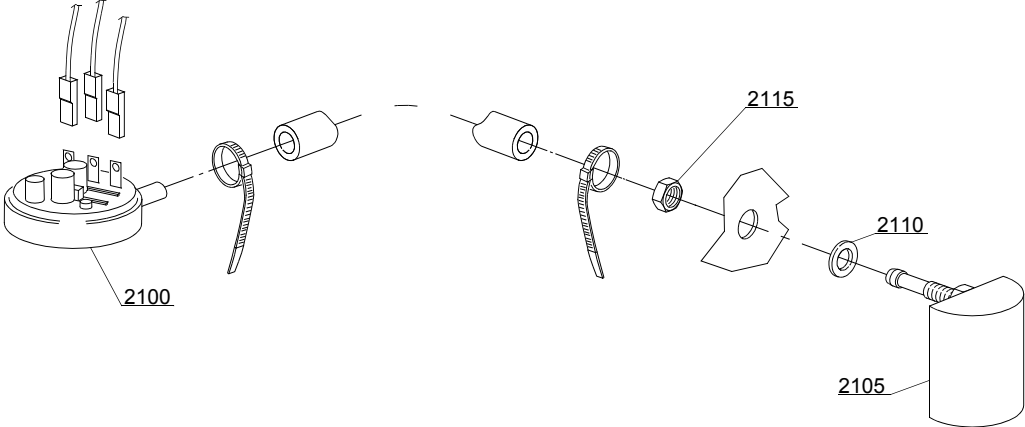
15\_003\_e





## Spare parts

ID	P-code	Model	Type	Accessory	Voltage	Description
MODULE:Drain pump group						
1900	440122		60U	dp		Pump support
1905	10702		60U	dp		5 uF condenser
1910	10501/A		60U	dp		Drain pump
1915	11806		60U	dp		25/40 clamp
1920	11836		60U	dp		20/32 clamp
1925	11809		60U	dp		30/45 clamp
1930	18044		60U	dp		Ø28 top wash pipe

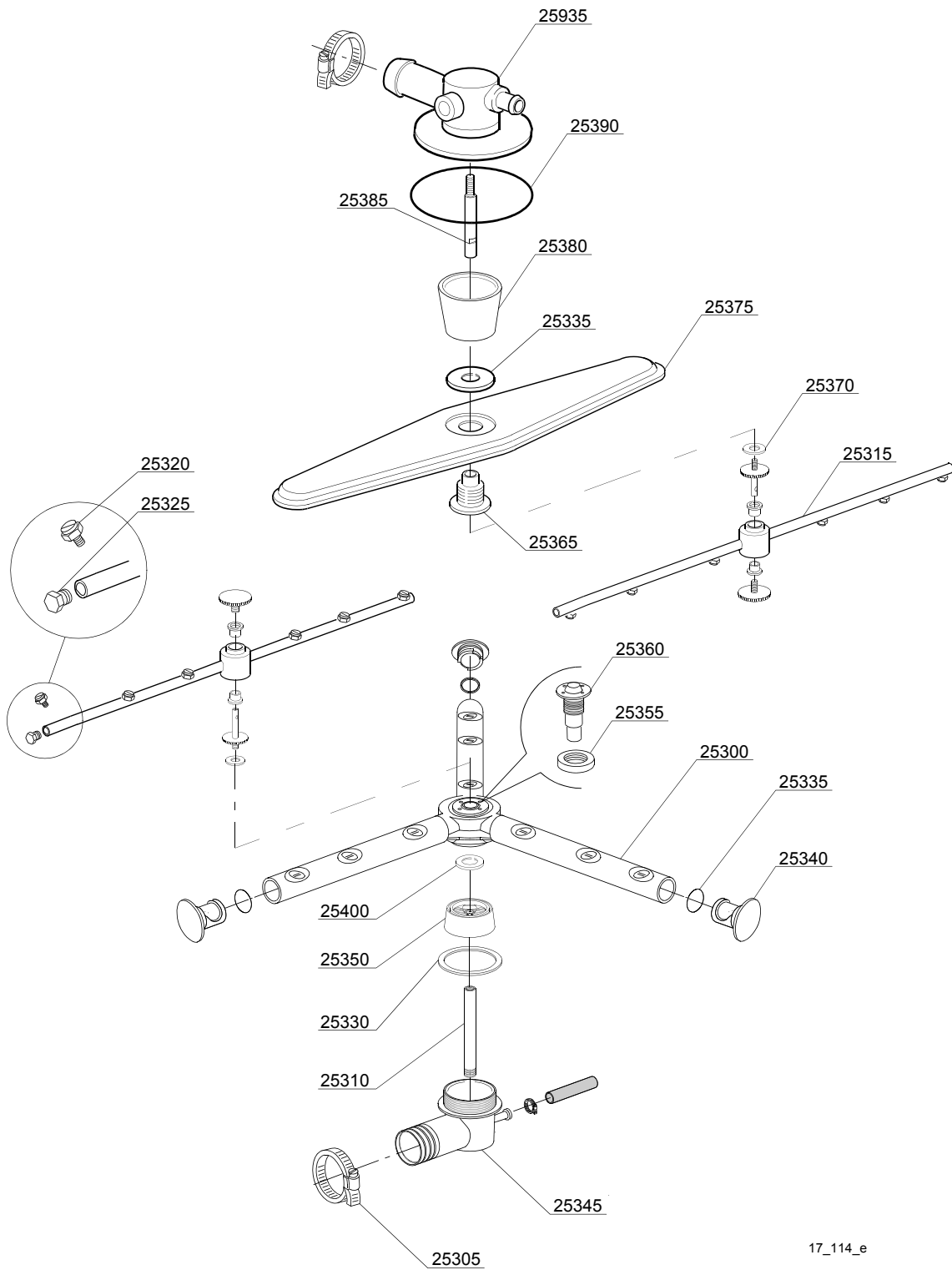


16\_001\_e

## Spare parts

---

ID	P-code	Model	Type	Accessory	Voltage	Description
MODULE:Pressure switch group with air trap						
2100	90023		60U			190-60 pressure switch
2105	135911		60U			Air trap assembly
2110	13301		60U			Gasket
2115	11702		60U			M8 stainless steel nut



17\_114\_e

## Spare parts

ID	P-code	Model	Type	Accessory	Voltage	Description
MODULE:Turret group with rotating arms						
25300	90004		60U			Upper/lower complet wash rotor
25305	11810		60U			40/60 clamp
25310	90010		60U			Top axle extension
25315	90003		60U			Rinse group
25320	560018		60U			Stainless steel rinse nozzle
25325	560017		60U			Rinse arm plug
25330	80208		60U			95x75x3 gasket
25335	13023		60U			OR 131 (4093) NBR gasket
25340	3003029		60U			Plastic plug
25345	90008		60U			Lower turret
25350	90009		60U			Turret fixing hub
25355	75317		60U			Nut for hub
25360	75316		60U			Hub for rotor
25365	75320		60U			Hub for rotor
25370	90031		60U			Sliding washer
25375	10600900		60U			Wash rotor
25380	11600035		60U			Lower turret
25385	11600021		60U			Lower rinse axle
25390	13015		60U			6225 OR 160 NBR gasket
25395	500612		60U			Top/lower turret
25400	11600033		60U			Flux reducer