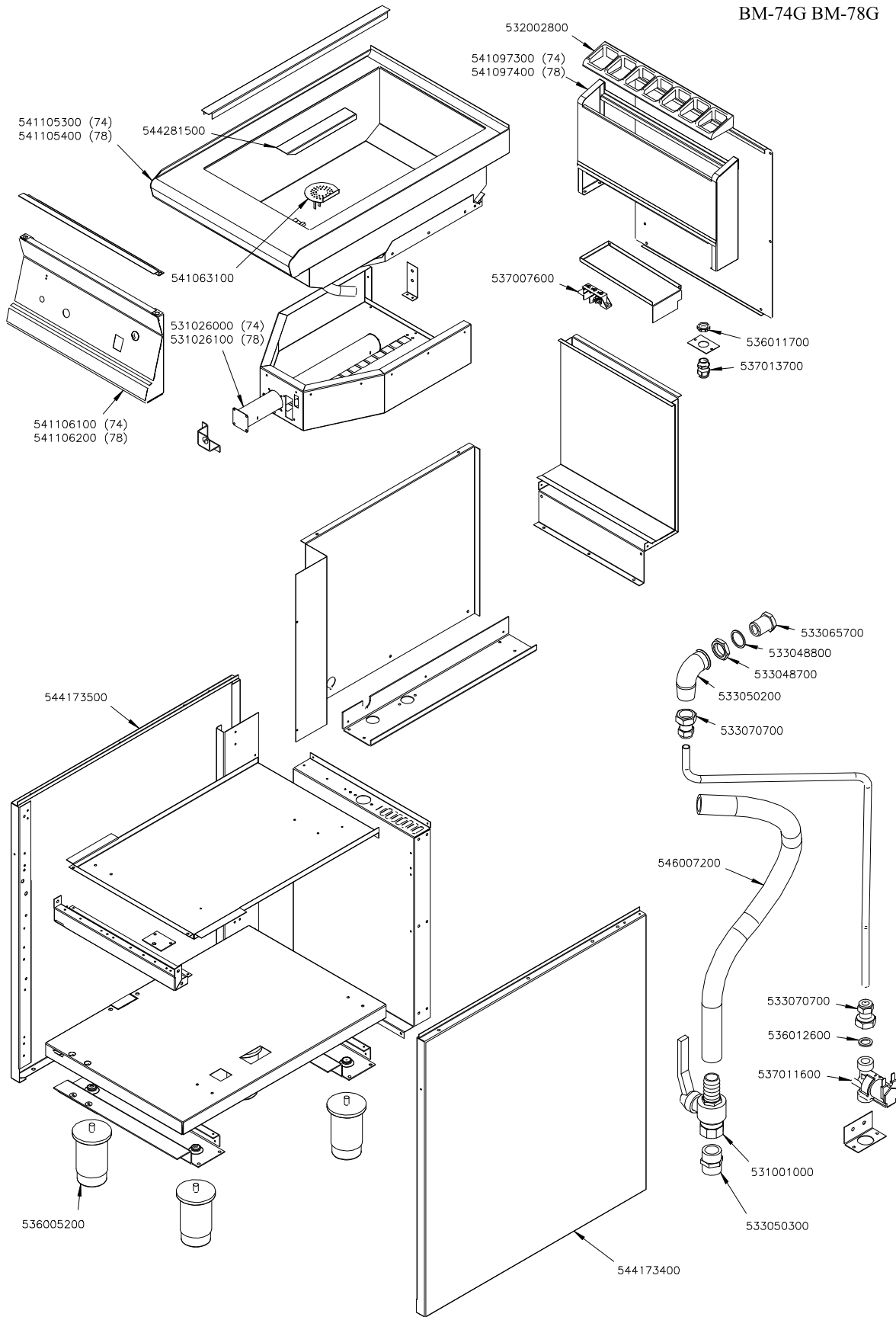
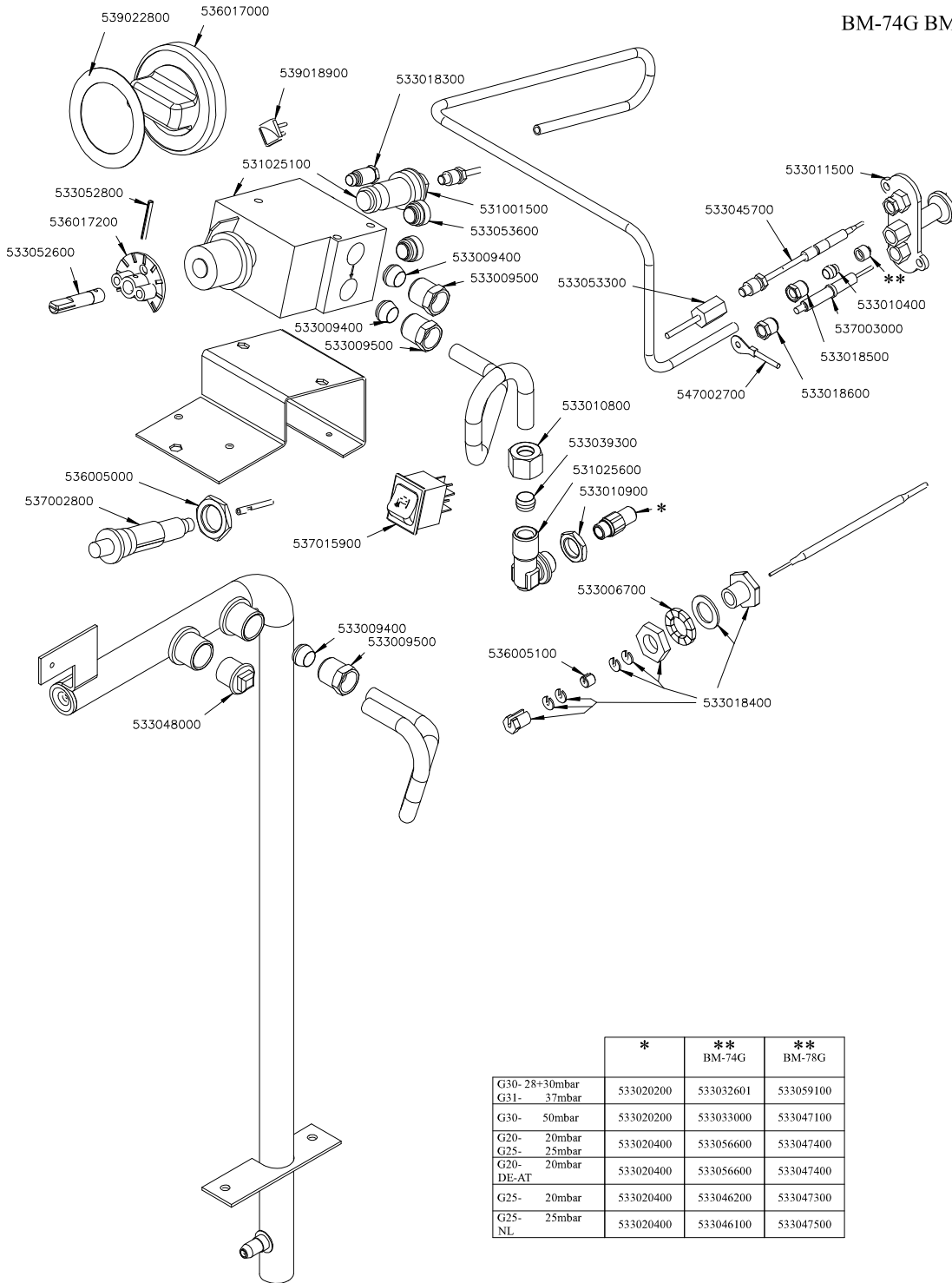


BM-74G BM-78G





|                | *         | **<br>BM-74G | **<br>BM-78G |
|----------------|-----------|--------------|--------------|
| G30- 28+30mbar | 533020200 | 533032601    | 533059100    |
| G31- 37mbar    |           |              |              |
| G30- 50mbar    | 533020200 | 533033000    | 533047100    |
| G20- 20mbar    | 533020400 | 533056600    | 533047400    |
| G25- 25mbar    | 533020400 | 533056600    | 533047400    |
| G20- DE-AT     | 533020400 | 533056600    | 533047400    |
| G25- 20mbar    | 533020400 | 533046200    | 533047300    |
| G25- NL        | 533020400 | 533046100    | 533047500    |

| Page | Pos | Code      | Description                        |
|------|-----|-----------|------------------------------------|
| 001  |     | 532002800 | GRID FOR PIPE L=370 S.70           |
| 001  |     | 541097300 | SPACER 74G                         |
| 001  |     | 537007600 | TERMINAL BLOCK SINGLEPHASE 40A     |
| 001  |     | 536011700 | HEXAGONAL LOCK NUT PG-11           |
| 001  |     | 537013700 | CABLE SECURING CLAMP PG-11         |
| 001  |     | 541105300 | UPPER PLATE BM-74G                 |
| 001  |     | 544281500 | PROBE PROTECTION BM/BS-65          |
| 001  |     | 541063100 | TANK DRAIN FILTER BS-4EM/CPM       |
| 001  |     | 531026000 | BURNER FT-4/6/8G BM-4G             |
| 001  |     | 541106100 | CONTROL PANEL BM-74G               |
| 001  |     | 544173500 | LEFT SIDE PANEL S.70               |
| 001  |     | 536005200 | INOX LEG 2" 120-180 M10            |
| 001  |     | 544173400 | RIGHT SIDE PANEL S.70              |
| 001  |     | 533065700 | FITTING FOR WATER INPUT 1/2G       |
| 001  |     | 533048800 | GASKET §30*§21*2 FIBRE             |
| 001  |     | 533048700 | NUT 1/2G ZN                        |
| 001  |     | 533050200 | 90° 1/2 M/F ELBOW FITTING          |
| 001  |     | 533070700 | FITTING 1/2G TUBE D10 + O-RING     |
| 001  |     | 546007200 | RUBBER TUBE §19INT.*§27EXT.*L=640  |
| 001  |     | 536012600 | GASKET §12,5*§18,5*2 1/2G          |
| 001  |     | 537011600 | 1IN+1OUT VALVE 180°C 230V 1/2G     |
| 001  |     | 531001000 | DRAIN COCK 3/4" + HANDLE           |
| 001  |     | 533050300 | HEXAGONAL NIPPLE 3/4G              |
| 002  |     | 539022800 | ADHESIVE GRADUATED DISC FOR KNOB   |
| 002  |     | 536017000 | BLACK KNOB §70 PIN §8*6,5          |
| 002  |     | 533052800 | ELASTIC PEG §2,5*26                |
| 002  |     | 536017200 | MATCHER REMOTE CONTROL EUROSIT     |
| 002  |     | 533052600 | PIN FOR KNOB 65LINE                |
| 002  |     | 539018900 | INDEX FOR KNOB                     |
| 002  |     | 531025100 | EUROSIT VALVE BM 30-100°C          |
| 002  |     | 533018300 | FITTING WITH BICONE 6 M10*1        |
| 002  |     | 531001500 | MAGNET FOR EUROSIT VALVE           |
| 002  |     | 533053600 | EUROSIT VALVE PLUG                 |
| 002  |     | 533009400 | BICONE 10S                         |
| 002  |     | 533009500 | NIPPLE FOR BICONE 10S              |
| 002  |     | 533053300 | THERMOCOUPLE EXTENSION M9*1        |
| 002  |     | 533045700 | THERMOCOUPLE M9*1 500              |
| 002  |     | 533011500 | PILOT BURNER 2 FLAMES 220          |
| 002  |     | 533010400 | BICONE D.6                         |
| 002  |     | 537003000 | PLUG M4 - LONG ELECTRODE           |
| 002  |     | 533018500 | FITTING FOR BICONE D.6 M10*1       |
| 002  |     | 533018600 | PLUG FITTING                       |
| 002  |     | 547002700 | HIGH-VOLTAGE CABLE L=500           |
| 002  |     | 533010800 | TUBE NUT D.10 M16*1,5              |
| 002  |     | 533039300 | BICONE §10                         |
| 002  |     | 531025600 | ELBOW 90° NOZZLE-HOLDER §10 PIPE   |
| 002  |     | 533010900 | NUT M14*1 H.4                      |
| 002  |     | 537015900 | BIPOLAR SWITCH                     |
| 002  |     | 536005000 | NUT M18 FOR PIEZOELECTRIC IGNITION |
| 002  |     | 537002800 | PIEZOELECTRIC IGNITION M18         |
| 002  |     | 533048000 | THREADED CAP 3/8"G                 |

| Page | Pos | Code      | Description                  |
|------|-----|-----------|------------------------------|
| 002  |     | 533006700 | NOTCHED WASHER D.14          |
| 002  |     | 536005100 | GRAPHITE §07,4 GASKET        |
| 002  |     | 533018400 | THREADED FITTING             |
| 002  |     | 533020200 | PILOT JETS 0160 FOR LPG §30  |
| 002  |     | 533032601 | NOZZLE §85 CH12X30,0         |
| 002  |     | 533033000 | NOZZLE §075 CH12X30,0        |
| 002  |     | 533020400 | NOZZLE 0160 (NATURAL GAS) 51 |
| 002  |     | 533056600 | NOZZLE §135 CH12*30 M-BM4    |
| 002  |     | 533046200 | NOZZLE §150 CH12X30 L-BR TP  |
| 002  |     | 533046100 | NOZZLE §140 CH12X30 MH-BR    |