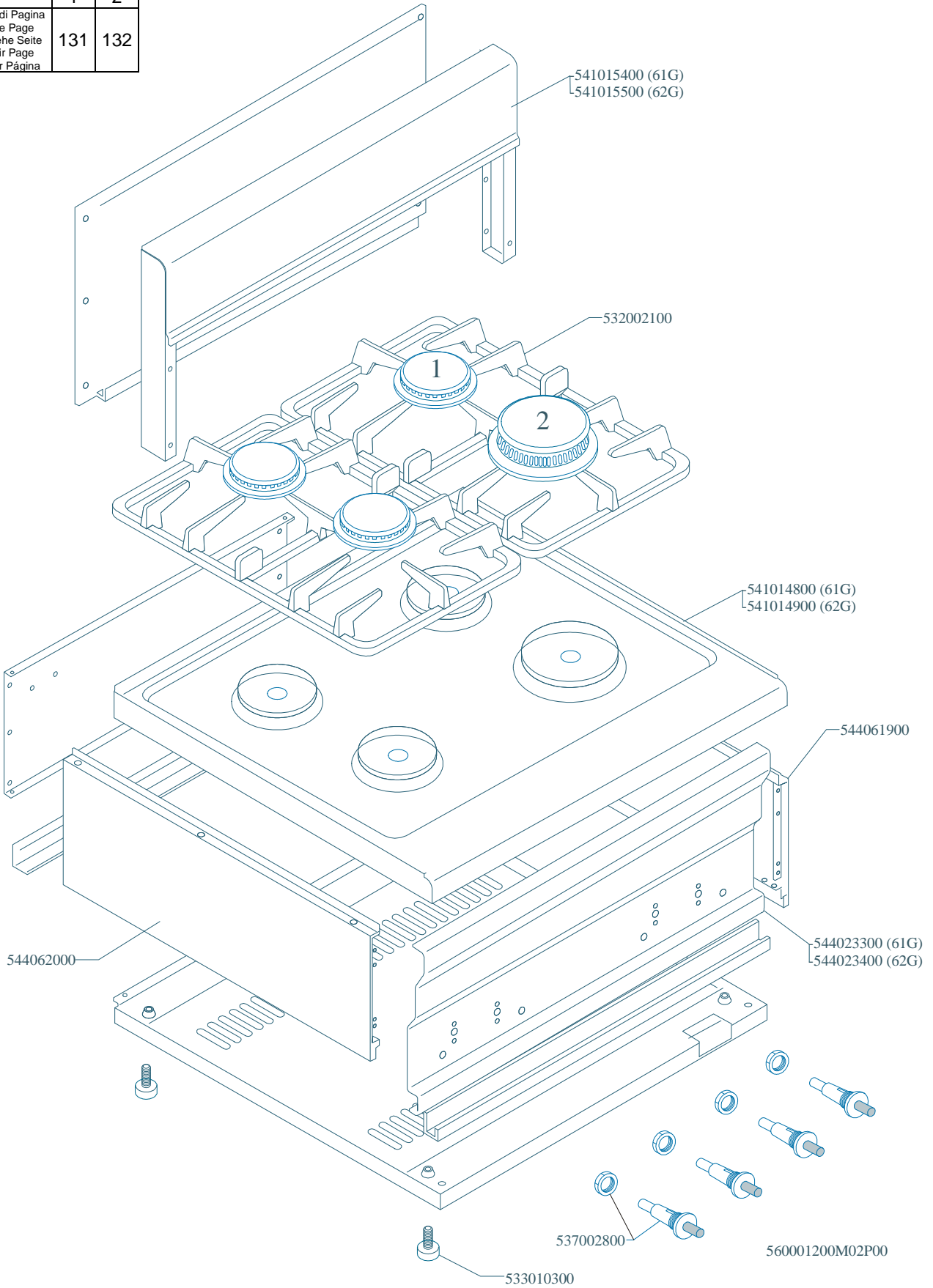


MAGIC SNACK 60

GAS / GAS / GAS / GAZ

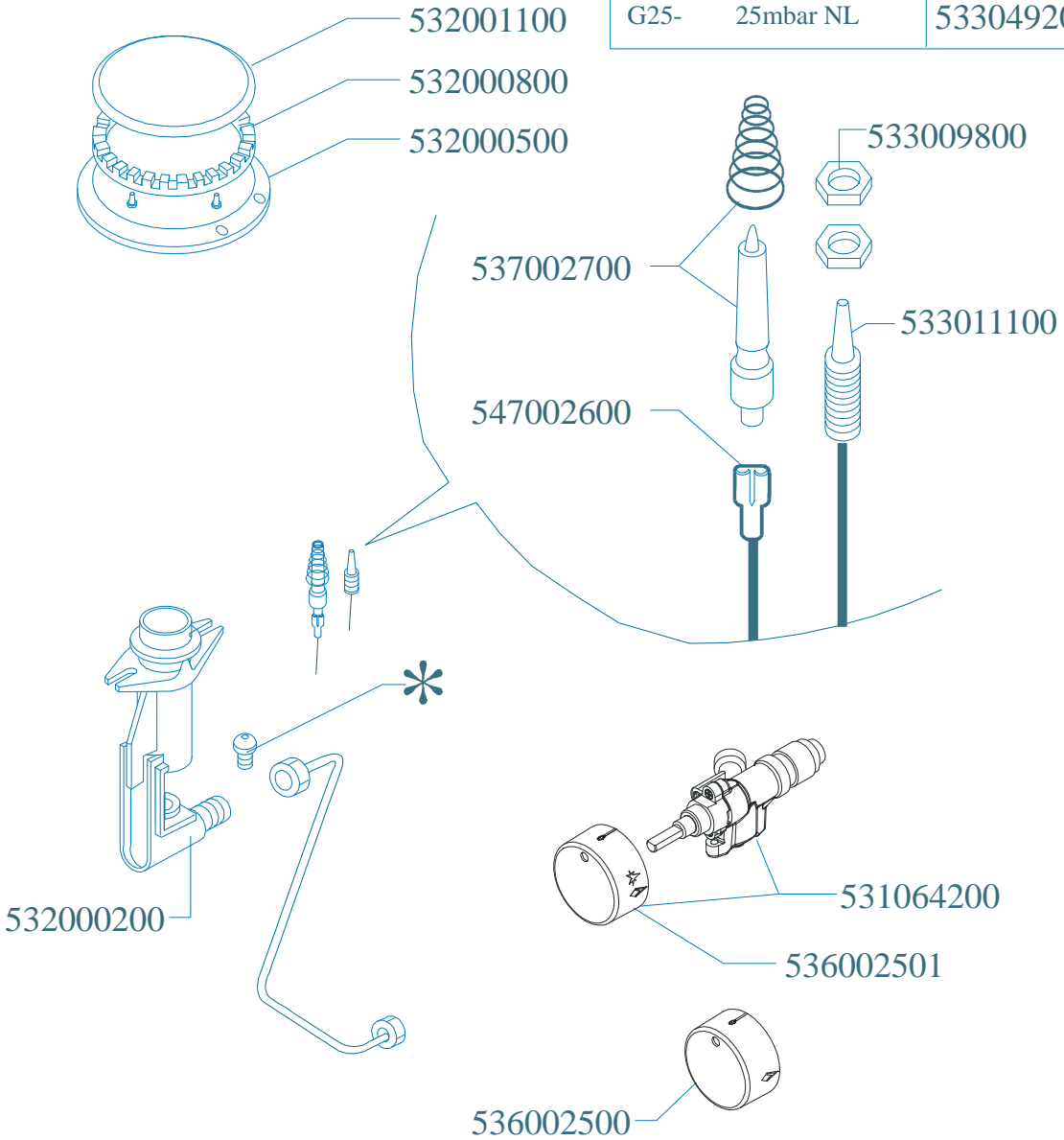
PC-61GF PC-62GF N°≤0302

	1	2
Vedi Pagina See Page Siehe Seite Voir Page Ver Página	131	132



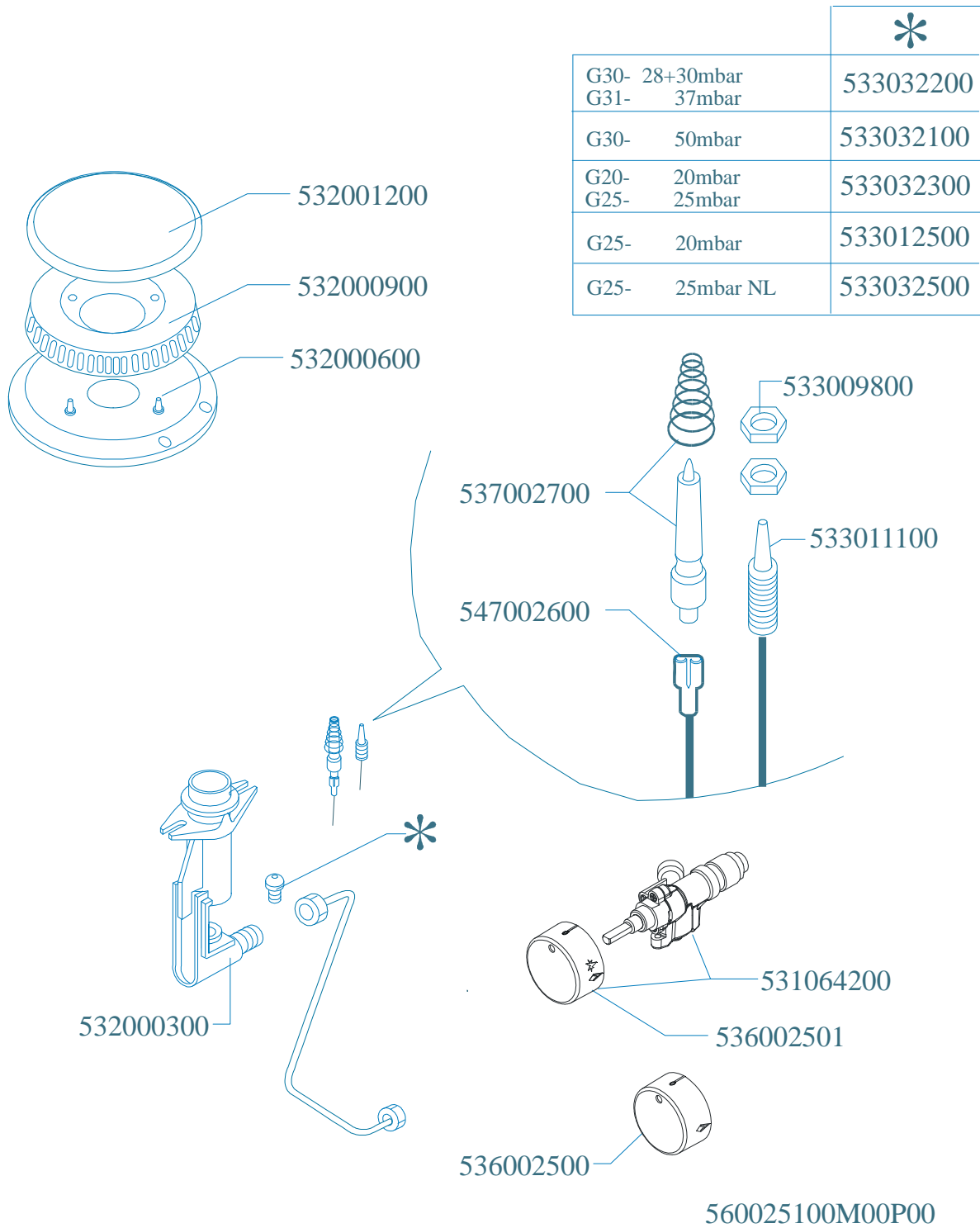
PC-G R V

	*
G30- 28+30mbar G31- 37mbar	533032100
G30- 50mbar	533049000
G20- 20mbar G25- 25mbar	533049100
G25- 20mbar	533032400
G25- 25mbar NL	533049200



560025200M00P00

PC-G UR



Page	Pos	Code	Description
001		541015500	NEUTRAL SPACER 62
001		532002100	2 BURNERS GRID
001		541014900	UPPER PLATE PC-62G
001		544061900	RIGHT SIDE PANEL 60 LINE
001		544023400	CONTROL PANEL PC-2G
001		544062000	LEFT SIDE PANEL 60 LINE
001		537002800	PIEZOELECTRIC IGNITION M18
001		533010300	ADJUSTABLE FOOT M10*20 D.23
002		533032100	NOZZLE §82 CH9*10 CE G-R
002		533049000	NOZZLE §72 CH9*10 F-R
002		533049100	NOZZLE §125 CH9*10 H-R
002		533032400	NOZZLE §135 CH9*10 L-R
002		533049200	NOZZLE §130 CH9*10 AARD.L-R
002		532001100	QUICK BURNER COVER IN CAST IRON
002		532000800	QUICK BURNER RING
002		532000500	QUICK BURNER SUPPORT 2HOLES
002		537002700	PLUG WITH SPRING H57
002		547002600	HIGH-VOLTAGE CABLE L=500
002		533009800	BRASS NUT M8*1
002		533011100	THERMOCOUPLE 600 M8*1
002		531064200	GAS COCK 22-3403 WITH KNOB
002		532000200	QUICK BURNER VENTURI
002		536002501	COCK KNOB SNACK PC
002		536002500	COCK KNOB
003		533032200	NOZZLE §96 CH9*10 CE G-UR
003		533032100	NOZZLE §82 CH9*10 CE G-R
003		533032300	NOZZLE §142 G20
003		533012500	NOZZLE §160 CH9*10 L-UR
003		533032500	NOZZLE §150 CH9*10 AARD.L-UR
003		532001200	ULTRA-QUICK BURNER COVER IN CAST IR
003		532000900	ULTRA-QUICK BURNER RING
003		532000600	ULTRA-QUICK BURNER SUPPORT 2HOLES
003		533009800	BRASS NUT M8*1
003		537002700	PLUG WITH SPRING H57
003		533011100	THERMOCOUPLE 600 M8*1
003		547002600	HIGH-VOLTAGE CABLE L=500
003		531064200	GAS COCK 22-3403 WITH KNOB
003		532000300	ULTRA-QUICK BURNER VENTURI
003		536002501	COCK KNOB SNACK PC
003		536002500	COCK KNOB