

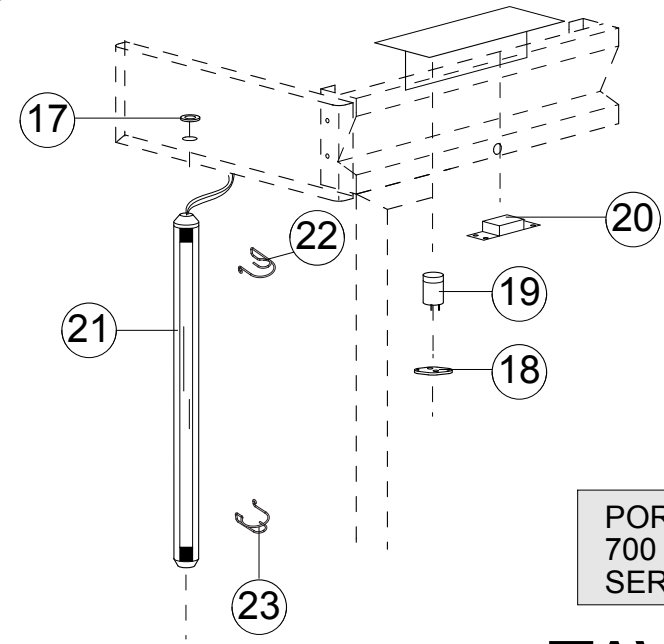
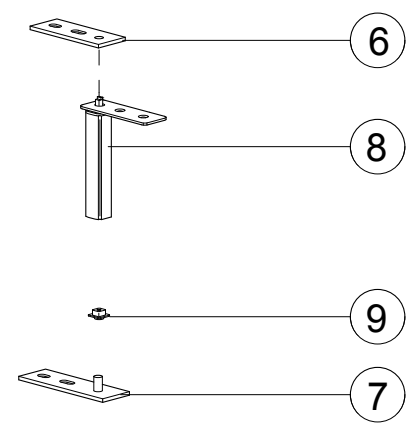
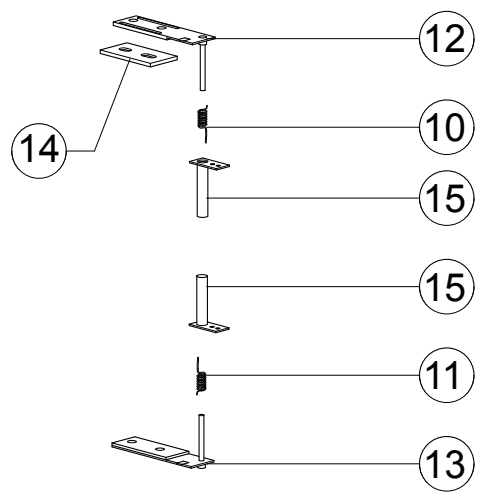
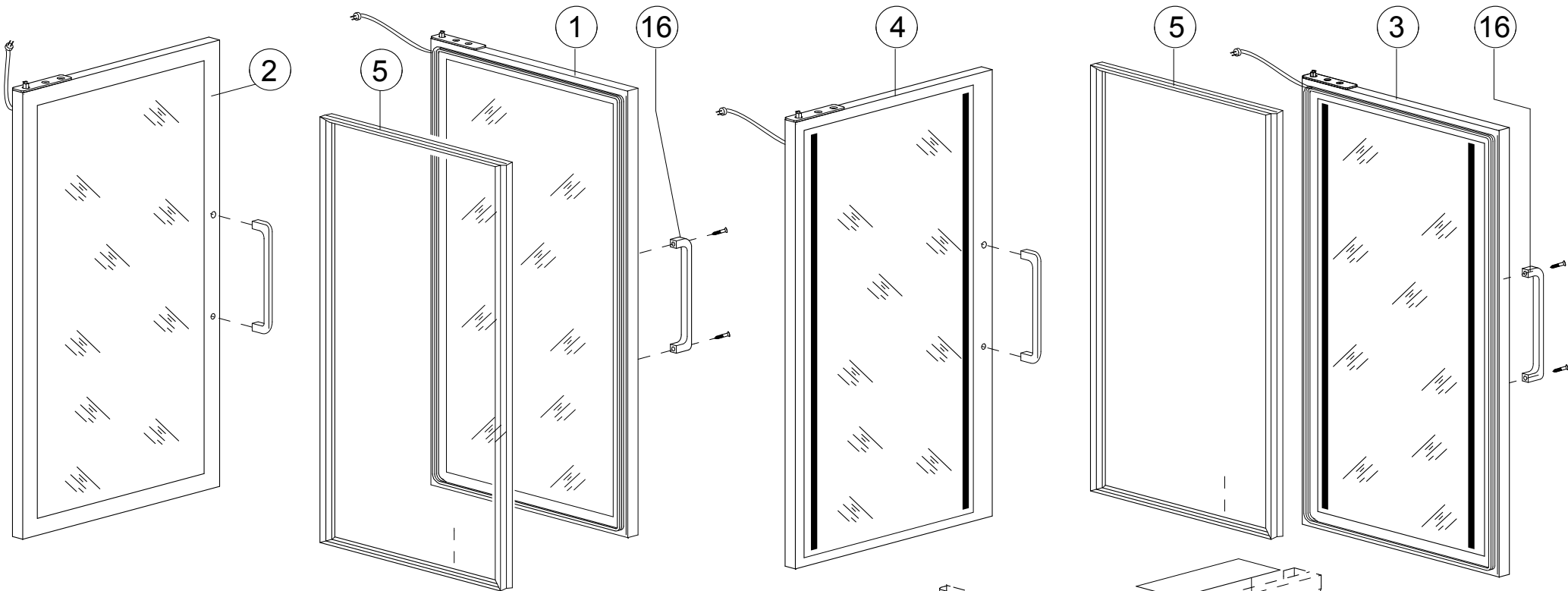
TAV. 016

PANNELLATURA
 ARMADIO 700 Lt.
 SERIE ZEUS
 Model
 D70N1V



TAV.014

MODELLO MODEL MODELL MODELE	POS.	CODICE CODE KODE CODE	DESCRIZIONE	DESCRIPTION	BESCHREIBUNG	DESCRIPTION
D70N1V	1	022289-00	ANIMA PER PROFILO DA 739 MM	FRAME S.STEEL STRIP	S. STAHLBAND F. RAHMEN	ÂME EN ACIER INOXYDABLE POUR PROFIL
D70N1V	2	022290-00	ANIMA PER PROFILO DA 1599 MM	FRAME S.STEEL STRIP	S. STAHLBAND F. RAHMEN	ÂME EN ACIER INOXYDABLE POUR PROFIL
D70N1V	3	023375-00	ASSIEME PIEDE REG. PLAST.+A304 115-165	PLASTIC+S.STEEL LEG	CNS+PLASTIKFUSS	PIED EN PLASTIQUE+ACIER INOX
D70N1V	-	TAV.016B	PORTA INTERA A VETRO DX ZEUS 700/1400	COMPLETE RIGHT-HAND "ZE" GLASS-DOOR	KOMPLETTE RECHTSÖFFNENDE "ZE" GLASTÜR	ENSEMBLE PORTE EN VERRE DROITE "ZE"
D70N1V	4	013486-00	SERRATURA CHIAVE UNICA CAT. LEVA PER FV	DOOR LOCK - FD MODELS	TUERSCHLOSS	SERRURE PORTE
D70N1V	-	TAV.012 (023922-00)	ASS. COMPR. ZEUS +1/-2°C 700 LT	COMPLETE CONDENSING UNIT	GESAMTE KONDENSATIONS-EINHEIT	GROUPE DE CONDENSATION
D70N1V	-	TAV.011 (023929-00)	ASS. EVAP. ZEUS -2°C 700LT	COMPLETE EVAPORATING UNIT	GESAMTE VERDAMPFUNGS-EINHEIT	GROUPE DE EVAPORATION
D70N1V	5	013528-00	CONVOGLIATORE ARIA IN ABS 7378	AIR-OUTLET CONVEYOR	LUFTKONVEYOR-ZELLE	CONVOYEUR AIR
D70N1V	6	023848-00	ASS. COPERCHIO EVAP. ARES/ZEUS	EVAPORATOR COVER	VERDAMPFERABDECKUNG	COUVERCLE ÉVAPORATEUR
D70N1V	7	023602-00	SQUADR. RINF. COPERCHIO EVAP. ARES/ZEUS	EVAPORATOR COVER HOLDER	HALTERUNG VERDAMPFERABDECKUNG	SUPPORT COUVERCLE ÉVAPORATEUR
D70N1V	8	024366-00	FIANCO SUPERIORE DX/SX ZEUS	TOP RIGHT/LEFT PANEL	OBERES RECHTES/LINKES PANEEL	PANNEAU SUPÉRIEUR DROITE/GAUCHE
D70N1V	9	023571-00	RINF POST L=738,5 FIANCO SUP DX/SX ARES	TOP BACK-SIDE PANEL	OBERES RÜCKWANDPANEEL	PANNEAU SUPÉRIEUR LATÉRAL-ARRIÈRE
D70N1V	10	024008-00	ASS. CRUSC. SMD34 RACC. 700 1T (STANDARD) MBM	INSTRUMENT S.TEEL PANEL (STANDARD)	INSTRUMENTENTAFEL STAHL (STANDARD)	PANNEAU INSTRUMENTS EN ACIER INOXYDABLE (STANDARD)
D70N1V	11	022176-00	CONTATTO REED PER FD	DOOR MAGNETIC MICROSWITCH	MIKRO-MAGNETSCHALTER TÜR	MICRORUPTEUR MAGNÉTIQUE PORTE
D70N1V	12	020520-00	MODULO DI POTENZA LAE SSD90C65E-C	POWER CONTROL UNIT	LEISTUNGSMODUL	UNITÉ DE COMMANDE ALIMENTATION
D70N1V	13	021390-01	MASCHERINA RESINATA RACC. DEXION SMD34	DEXION INSTRUMENT BLUE FRAME	DEXION-INSTRUMENT BLAUER RAHMEN	ÉTIQUETTE EN RÉSINE DEXION
D70N1V	14	020521-00	PIATTINA DI COLLEGAMENTO FC10-10M01	FLAT CONNECTOR	FLACHSTECKER	FIL DE CONNEXION
D70N1V	15	020522-00	DISPLAY REMOTO SMD34RU PER FV	REMOTE DISPLAY KEYBOARD	FERNDISPLAY TASTATUR	CLAVIER TÉLÉAFFICHAGE
D70N1V	16	011548-02	CAVO ALIM. G32 HO5VV-F 3G1.5 CM300	POWER SUPPLY CORD	SPEISUNGSKABEL	CORDON D'ALIMENTATION
D70N1V	17	015210-00	MORSETTO FISSACAVO 3040/LGK 6-16MM	POWER-SUPPLY CABLE HOLDER	SPEISUNGSKABELHALTERUNG	SUPPORT CABLE ALIMENTATION
D70N1V	18	023596-01	SUPP. GN2/1 ANT/POST DX/SX ZEUS 700/1400	BACK/FRONT RIGHT/LEFT UP-RIGHT SLIDE SUPPORT	HINTERE/VORDERE RECHTE/LINKE AUFRECHTE SCHIENENHALTERUNG	SUPPORT GLISSIÈRE ARRIÈRE/AVANT DROITE/GAUCHE HAUT/BAS
D70N1V	19	OA000-ZE-024	COPPIA GUIDE PER GN 2/1	COUPLE OF SLIDES	PAAR GLEITSCHIENEN	PAIRE DE GLISSIÈRES
D70N1V	20	012197-00	PARTICOLARE PER FISS. MONTANTE	UP-RIGHT SUPPORT HOLDER	STÄNDERHALTERUNG	DÉTAIL FIXATION MONTANT
D70N1V	21	OA000-00-021	RIPIANO GRIGLIATO RILSAN GN2/1	RILSAN SHELF	RILSAN REGAL	CLAYETTE RILSAN
D70N1V	26	011524-00	RESISTENZA 35W 230V CORNICI MASCHIO	DOOR FRAME HEATER	TUERRAHMENHEIZUNG	RESISTANCE PORTE



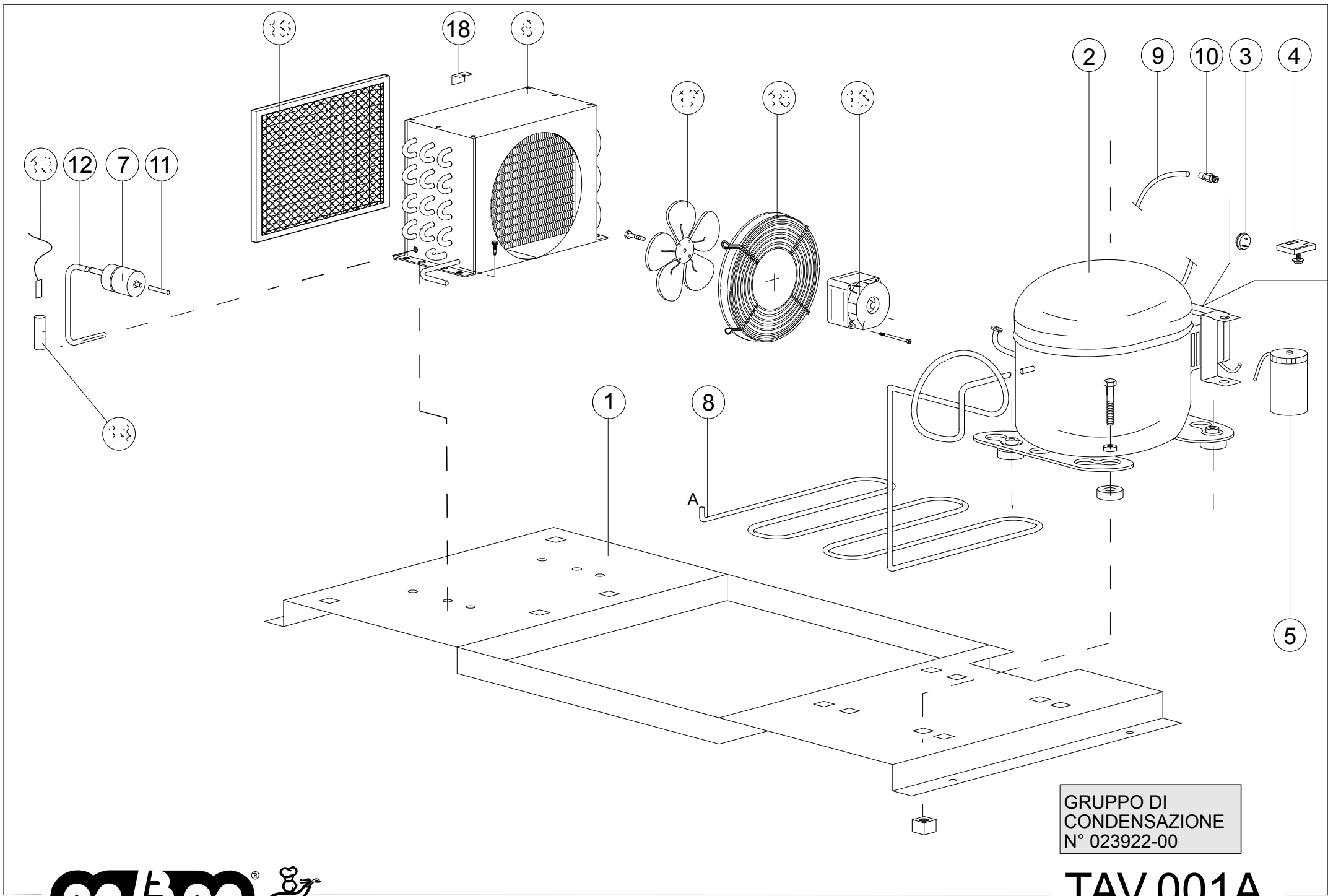
PORTE ARMADI
700 - 1400 Lt.
SERIE ZEUS



TAV.016-B

MODELLO MODEL MODELL MODELE	POS.	CODICE CODE KODE CODE	DESCRIZIONE	DESCRIPTION	BESCHREIBUNG	DESCRIPTION
D70N1V DX70B1V D140N2V	1	024270-00	PORTA INTERA A VETRO DX ZEUS 700/1400	COMPLETE RIGHT-HAND GLASS-DOOR	KOMPLETTE RECHTSÖFFNENDE GLASTÜR	ENSEMBLE PORTE EN VERRE DROITE
D140N2V	2	024271-00	PORTA INTERA A VETRO SX ZEUS 700/1400	COMPLETE LEFT-HAND GLASS-DOOR	KOMPLETTE LINKSÖFFNENDE GLASTÜR	ENSEMBLE PORTE EN VERRE GAUCHE
DX70B1V	3	024298-00	PORTA INTERA A VETRO DX ZEUS -18°C	COMPLETE RIGHT-HAND LOW-TEMP. GLASS-DOOR	KOMPLETTE RECHTSÖFFNENDE GLASTÜR	ENSEMBLE PORTE EN VERRE DROITE
DX70B1V	3	024298-01	PORTA INTERA A VETRO DX ZEUS -18°C	COMPLETE RIGHT-HAND LOW-TEMP. GLASS-DOOR	KOMPLETTE RECHTSÖFFNENDE GLASTÜR	ENSEMBLE PORTE EN VERRE DROITE
-	4	024299-00	PORTA INTERA A VETRO SX ZEUS -18°C	COMPLETE LEFT-HAND LOW-TEMP. GLASS-DOOR	KOMPLETTE LINKSÖFFNENDE GLASTÜR	ENSEMBLE PORTE EN VERRE GAUCHE
D70N1V DX70B1V D140N2V	5	024406-00	GUARNIZ. PORTA VETRO 688X1554 4MNP22/17	GLASS-DOOR SEAL	GLASTUER DICHTUNG	JOINT PORTE EN VERRE
D70N1V DX70B1V D140N2V	6	022094-03	STAFFA SUP. DX-SX FD	UPPER RIGHT/LEFT SUPPORT	OBERE RECHTE/LINKE HALTERUNG	SUPPORT SUPÉRIEUR DROITE/GAUCHE
DX70B1V	6	024367-00	STAFFA SUP. DX-SX PORTA VETRO ZEUS	UPPER RIGHT/LEFT GLASS-DOOR SUPPORT	OBERE RECHTE/LINKE HALTERUNG - GLASTÜR	SUPPORT SUPÉRIEUR DROITE/GAUCHE - PORTE EN VERRE
D70N1V DX70B1V D140N2V	7	022103-02	ASS. STAFFA INF. DX-SX CERNIERA FD	LOWER RIGHT/LEFT SUPPORT	UNTERE RECHTE/LINKE HALTERUNG	SUPPORT INFÉRIEUR DROITE/GAUCHE
DX70B1V	7	022103-03	ASS. STAFFA INF. DX-SX CERNIERA FD	LOWER RIGHT/LEFT SUPPORT	UNTERE RECHTE/LINKE HALTERUNG	SUPPORT INFÉRIEUR DROITE/GAUCHE
D70N1V DX70B1V D140N2V	8	022104-00	CERNIERA PER PORTA DX-SX FD	RIGHT-HAND DOOR HINGE	SCHARNIER RECHTSÖFFNENDE TÜR	CHARNIÈRE PORTE DROITE
D70N1V DX70B1V D140N2V	9	022105-00	TAPPO PER CERNIERA PORTA	DOOR TAP FOR SUPPORT	TÜRSCHARNIERABDECKUNG	BOUCHON POUR CHARNIÈRE PORTE
D70N1V DX70B1V D140N2V	10	011573-00	MOLLA SX PER PORTA APERTURA DX	DOOR SPRING, RIGHT	TUERFEDER, RECHTS	RESSORT DROIT
D70N1V DX70B1V D140N2V	11	011572-00	MOLLA DX PER PORTA APERTURA SX	DOOR SPRING, LEFT	TUERFEDER, LINKS	RESSORT GAUCHE
D70N1V DX70B1V D140N2V	12	011561-00	ASS. CERNIERA SUP. DX INF. SX	UPPER RIGHT/LOWER LEFT HINGE	SCHARNIER O. RECHTS/U. LINKS	CHARNIERE SUP. DR.
D70N1V DX70B1V D140N2V	13	011563-00	ASS. CERNIERA SUP. SX INF. DX	LOWER RIGHT/UPPER LEFT HINGE	SCHARNIERE O. LINKS/U. RECHTS	CHARNIERE SUP. G.
D70N1V DX70B1V D140N2V	14	011575-01	DISTANZIALE CERNIERA SUP. (SP.10MM)	TOP-HINGE SPACER (10MM)	ENTFERNUNGSSTUECK	ENTRETOISE PLAST.X CHARNIERE

MODELLO MODEL MODELL MODELE	POS.	CODICE CODE KODE CODE	DESCRIZIONE	DESCRIPTION	BESCHREIBUNG	DESCRIPTION
D70N1V DX70B1V D140N2V	15	011570-00	ASSIEME CANOTTO PER PORTA VETRO	GLASS-DOOR SPRING HOLDER	FEDERHALTER-ROHR	PORTE-RESSORT
D70N1V DX70B1V D140N2V	16	012257-00	MANIGLIA CROMATA COMPLETA FV PORTA VETRO	GLASS-DOOR HANDLE	GLASTUERGRIF	POIGNEE
D70N1V DX70B1V D140N2V	17	020743-00	PASSACAVO NERO øINT.7X14 SP.8 0886- CA01	FAIRLEAD	KABELFÜHRUNG	GUIDE-CÂBLE
D70N1V DX70B1V D140N2V	18	014660-00	PORTASTARTER P/LAMP. FL. STU110F	STARTER SOCKET	STARTERHALTER	PORTE-STARTER
D70N1V DX70B1V D140N2V	19	014661-00	STARTER 4-80W OSR ST111	STARTER	STARTER	STARTER
D70N1V DX70B1V D140N2V	20	015562-00	REATTORE MEC86/53 36-40W 230V A VITE	BALLAST FOR LAMP	DROSSEL	REACTEUR
D70N1V DX70B1V D140N2V	21	019802-00	LAMPADA CABLATA OSRAM 36W 230V	WIRED LAMP	LAMPE	LAMPE
D70N1V DX70B1V D140N2V	22	011610-00	MOLLA PER LAMPADA FV PORTA VETRO SX	CLAMP FOR LIGHT - LEFT	FEDER	RESSORT
D70N1V DX70B1V D140N2V	23	011611-00	MOLLA PER LAMPADA FV PORTA VETRO DX	CLAMP FOR LIGHT - RIGHT	FEDER	RESSORT



GRUPPO DI
CONDENSAZIONE
N° 023922-00

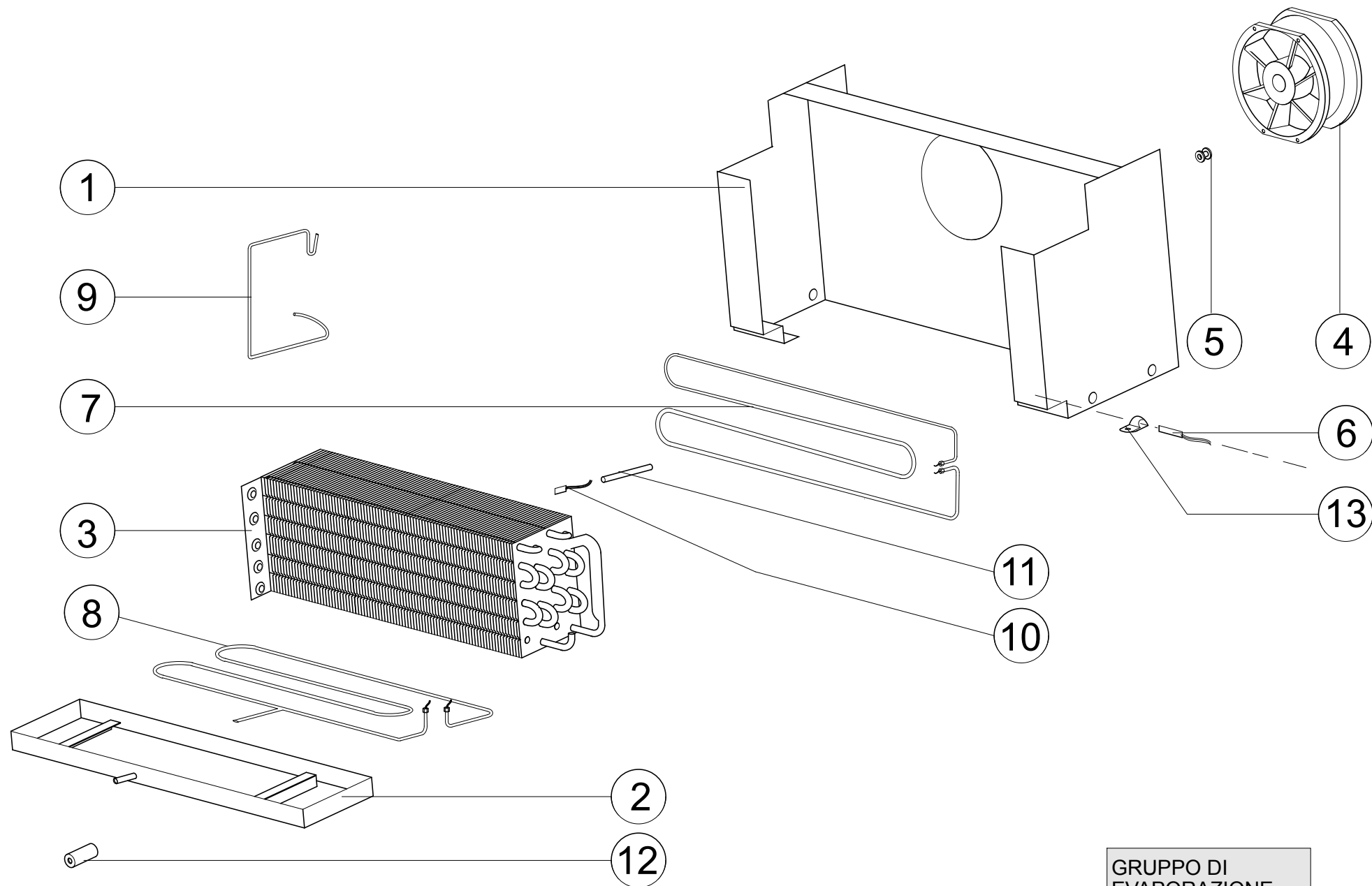
TAV.001A



MODELLO MODEL MODELL MODELE	POS.	CODICE CODE KODE CODE	DESCRIZIONE	DESCRIPTION	BESCHREIBUNG	DESCRIPTION
--	-------------	--	--------------------	--------------------	---------------------	--------------------

D70N1 D70P1 D70N1V	1	023591-00	BASAMENTO GRUPPO ARES/ZEUS 700/1400	CONDENSING UNIT BASE	UNTERGESTELL VERFLÜSSIGEREINHEIT	BASE UNITÉ DE CONDENSATION
D70N1 D70P1 D70N1V	2	022260-00	COMPRESSORE GL 90 TB 230V 50HZ	COMPRESSOR	KOMPRESSOR	COMPRESSEUR
D70N1 D70P1 D70N1V	3	023789-00	SALVAMOTORE T0057-22 GL90TB	SAFETY TEMP. LIMIT SWITCH	SICHERHEITSTHERMOSTAT- KOMPRESSOR	RUPTEUR THERMIQUE DE SÉCURITÉ
D70N1 D70P1 D70N1V	4	023790-00	RELE DI AVVIAMENTO MTRP-43-27 GL90TB	STARTING RELAY	KOMPRESSORANLASSEN-RELAIS	RELAIS DEMARRAGE COMPRESSEUR
D70N1 D70P1 D70N1V	5	023788-00	CONDENSATORE AVV. 47-56MDF/330V GL-ML	STARTING CAPACITOR	KOMPRESSORANLASSEN- KONDENSATOR	CONDENSEUR DEMARRAGE COMPRESSEUR
D70N1 D70P1 D70N1V	6	011531-00	CONDENSATORE 3R 9T X240	CONDENSER	KONDENSATOR	CONDENSATEUR
D70N1 D70P1 D70N1V	7	014615-00	FILTRO DEIDRATORE DN 032 S 6MM	FILTER DRIER	TROCKNER	FILTRE SECHANT
D70N1 D70P1 D70N1V	8	023767-00	SERPENTINO EVAP.COND.FV ARES	WATER-EVAPORATION COIL	KONDENSATVERDAMPFUNGSSCHLANG E	SERPENTIN ÉVAPORATION DE L'EAU
D70N1 D70P1 D70N1V	9	012691-02	TUBO RICARICA PER FV-SA	RECHARGE TUBE	BEFÜLLROHRE	TUYAU DE RECHARGE
D70N1 D70P1 D70N1V	10	012722-00	VALV.RIC.FIL. 1/4"FILX1/4"A SALD.	RECHARGE VALVE	SCHRADERVENTIL	SOUPAPE RECHARG.
D70N1 D70P1 D70N1V	11	014665-00	TUBO USCITA FILTRO PER FV-FO	FILTER DRIER OUTLET PIPE	AUSTRITTSROHR FILTERTROCKNER	TUYAU SORTIE FILTRE DÉSHYDRATEUR
D70N1 D70P1 D70N1V	12	021378-00	TUBO USCITA CONDENS. + TRONCHETTO 3R9T	CONDENSER OUTLET PIPE	VERFLÜSSIGERAUSTRITTSROHR	TUYAU DE SORTIE CONDENSEUR
D70N1 D70P1 D70N1V	13	020526-00	SONDA COND. PTC PER SSD90 ST1K20C3	CONDENSER PROBE	VERFLÜSSIGERFÜHLER	SONDE CONDENSEUR
D70N1 D70P1 D70N1V	14	019316-00	TRONCHETTO PORTA BULBO PER FO SKIN	PROBE HOLDER	FÜHLERHALTERUNG	SUPPORT SONDE
D70N1 D70P1 D70N1V	15	012725-00	VENTILATORE 82D 2010/V-9 230V 50HZ	FAN MOTOR	VENTILATORMOTOR	VENTILATEUR

MODELLO MODEL MODELL MODELE	POS.	CODICE CODE KODE CODE	<i>DESCRIZIONE</i>	<i>DESCRIPTION</i>	<i>BESCHREIBUNG</i>	<i>DESCRIPTION</i>
D70N1 D70P1 D70N1V	16	011589-01	SUPPORTO PROTEZ. MOTOVENTIL. CONDENS.	CONDENSER FAN PROTECTION GRID	KONDENS.TRAEGER	SUPP.PROTECT.CONDENS.
D70N1 D70P1 D70N1V	17	013479-00	VENTOLA ASPIRANTE DIAM. 230-28ø	IMPELLER	LUEFTERFLUEGEL	COURONNE MOBILE
D70N1 D70P1 D70N1V	18	015422-00	SQUADRETTA FERMO FILTRO	AIR-FILTER HOLDER	LUFTFILTERHALTERUNG	SUPPORT FILTRE A AIR
D70N1 D70P1 D70N1V	19	013524-00	FILTRO CFL/P CON SETTO POL206 252X265X1	CONDENSER AIR-FILTER	FILTER	FILTRE



GRUPPO DI
 EVAPORAZIONE
 N° 024031-00



TAV.011

MODELLO MODEL MODELL MODELE	POS.	CODICE CODE KODE CODE	DESCRIZIONE	DESCRIPTION	BESCHREIBUNG	DESCRIPTION
--	-------------	--	--------------------	--------------------	---------------------	--------------------

D70N1 D70P1 D70N1V D70B1	1	022147-00	ASS. CONVOGLIATORE EUROPA NEW	AIR-CONVEYOR	LUFTVERTEILER	CONVOYEUR D'AIR
D70N1 D70P1 D70N1V D70B2	2	022149-00	ASS. BACINELLA COND. INT. EVAP. EUROPA	INTERNAL WATER COLLECTING TRAY	INTERNE KONDENSATSAMMELWANNE	BAC INTERNE DE COLLECTE DE L'EAU
D70N1 D70P1 D70N1V D70B3	3	023947-00	EVAPORATORE 6T-4R 350 PA 4,3 3/8 ARES/ZEUS	EVAPORATOR	VERDAMPFER	ÉVAPORATEUR
D70N1 D70P1 D70N1V D70B4	4	022182-00	VENTILATORE FULLTECH EVAP.EUROPA	EVAPORATOR FAN	VERDAMPFERVENTILATOR	VENTILATEUR DE L'ÉVAPORATEUR
D70N1 D70P1 D70N1V D70B5	5	020743-00	PASSACAVO NERO øINT.7X14 SP.8 0886- CA01	FAIRLEAD	KABELFÜHRUNG	GUIDE-CÂBLE
D70N1 D70P1 D70N1V D70B6	6	020524-00	SONDA CELLA PTC PER SSD90 ST1K20C1	CABINET PROBE	GEHÄUSEFÜHLER	SONDE CHAMBRE
D70N1 D70P1 D70N1V D70B7	7	014474-02	RESIST.COR. 250W 230V SBRIN. EVAP.	EVAPORATOR SIDE-DEFROSTING HEATER	TAUWASSERVERDUNSTUNGHEIZUNG	RESISTANCE DEGIVR.EVAPORAT.
D70N1 D70P1 D70N1V D70B8	8	022258-01	RESIST. CORAZZATA 550W 230V SBRIN. EVAP.	EVAPORATOR BOTTOM-DEFROSTING HEATER	TAUWASSERVERDUNSTUNGHEIZUNG	RESISTANCE DEGIVR.EVAPORAT.
D70N1 D70P1 D70N1V D70B9	9	023415-00	MOLLA RESIST.EVAP.EUROPA NEW	EVAPORATOR HEATING ELEMENT HOLDER	HALTERUNG VERDAMPFER- HEIZELEMENT	SUPPORT ÉLÉMENT CHAUFFANT ÉVAPORATEUR
D70N1 D70P1 D70N1V D70B10	10	020525-00	SONDA EVAP.PTC PER SSD90 ST1K20C2	EVAPORATOR PROBE	VERDAMPFERFÜHLER	SONDE ÉVAPORATEUR
D70N1 D70P1 D70N1V D70B11	11	023383-00	TUBETTO VIPLA NERO DIAM.6	POLYVINYL PIPE, BLACK	POLYVINYLROHR, SCHWARZ	TUYAU EN POLYVINYLE, NOIR

MODELLO MODEL MODELL MODELE	POS.	CODICE CODE KODE CODE	<i>DESCRIZIONE</i>	<i>DESCRIPTION</i>	<i>BESCHREIBUNG</i>	<i>DESCRIPTION</i>
D70N1 D70P1 D70N1V D70B12	12	019599-00	TUBO ISOLAMENTO ST CL1 SP.9 DM.15	PIPE INSULATING COVER	ISOLIERMANTEL F. ROHR	PANNEAU ISOLANT TUYAU
D70N1 D70P1 D70N1V D70B13	13	015211-00	COLLARE POLIAMMIDE D.6,5 255-6,5	PROBE RING-HOLDER	FÜHLERKRAGEN	ANNEAU DE SONDE-SUPPORT