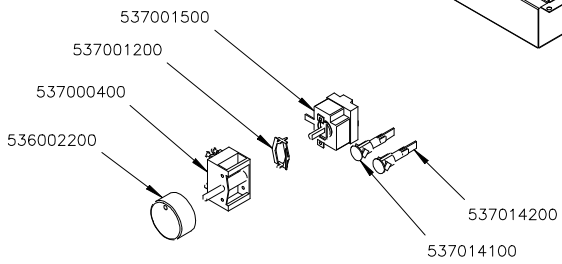
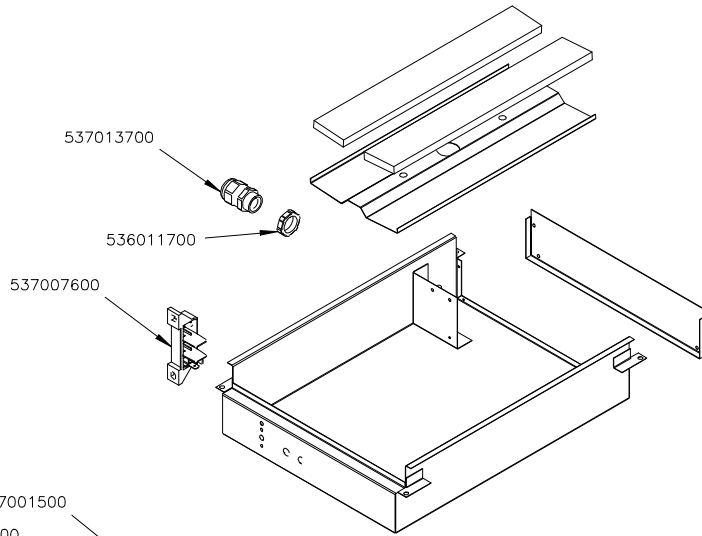
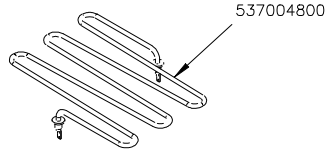


- 533008400
- 533006100
- 536005100
- 533006700
- 533010900



Page	Pos	Code	Description
001		536000200	D.12 H.4 BUMPER
001		533033100	HANDLE SPACER
001		536003500	RED HANDLE 60/SK
001		541019700	DOOR 61
001		531008100	ADJUSTABLE LEG H9 CHROME
002		533008400	LOCK NUT M14*1-M9*1
002		533006100	GASKET D.24
002		536005100	GRAPHITE §07,4 GASKET
002		533006700	NOTCHED WASHER D.14
002		533010900	NUT M14*1 H.4
002		537004800	HEATING ELEMENT W1189 V230 BM
002		537013700	CABLE SECURING CLAMP PG-11
002		536011700	HEXAGONAL LOCK NUT PG-11
002		537007600	TERMINAL BLOCK SINGLEPHASE 40A
002		537001500	THERMOSTAT 30-90°C SINGLEPHASE
002		537001200	FIXING BRACKET FOR THERMOSTAT/COMM.
002		537000400	COMMUTATOR 1POS.SINGLEPHASE S49 16A
002		536002200	KNOB 30-90°C SNACK
002		537014200	GREEN WARNING LIGHT 250V
002		537014100	WHITE WARNING LIGHT 250V